

US00D820908S

(12) **United States Design Patent** (10) **Patent No.:** **US D820,908 S**  
**Iacchetti** (45) **Date of Patent:** **\*\* \*Jun. 19, 2018**

(54) **NOTEBOOK**

FOREIGN PATENT DOCUMENTS

(71) Applicant: **MOLESKINE S.p.A.**, Milan (MI) (IT)

CN 303226420 \* 5/2015

(72) Inventor: **Giulio Iacchetti**, Milan (IT)

CN 303339561 \* 8/2015

JP D1557779 \* 9/2016

(73) Assignee: **MOLESKINE S.P.A.**, Milan (IT)

OTHER PUBLICATIONS

(\*) Notice: This patent is subject to a terminal disclaimer.

Moleskine Store. <URL: <https://store.moleskine.com/usa/en-us/moleskine-/smart-writing-set/smart-writing-set/p1014?>>.\*

(\*\*) Term: **15 Years**

(Continued)

(21) Appl. No.: **29/526,778**

*Primary Examiner* — Bridget L Eland

*Assistant Examiner* — Lauren McVey

(22) Filed: **May 13, 2015**

(74) *Attorney, Agent, or Firm* — Lucas & Mercanti, LLP

(30) **Foreign Application Priority Data**

Apr. 29, 2015 (EM) ..... 002691659

(51) **LOC (11) Cl.** ..... **19-04**

(52) **U.S. Cl.**  
USPC ..... **D19/26**

(58) **Field of Classification Search**

USPC ..... D19/26, 27, 32, 33; D14/440

CPC . B42D 1/003; B42D 1/04; B42D 3/18; B42D

1/001; B42D 1/02; B42D 1/004; B42D

1/006; B42D 1/007; B42D 9/00; B42D

9/002

See application file for complete search history.

(56) **References Cited**

U.S. PATENT DOCUMENTS

370,793 A \* 10/1887 Trussell ..... B42D 1/004  
281/15.1

D118,191 S \* 12/1939 Shapiro ..... D19/26

D311,220 S \* 10/1990 Kam ..... 281/15.1

D311,548 S \* 10/1990 Thompson, Jr. .... D19/26

D325,393 S \* 4/1992 Schertz ..... 281/19.1

D358,839 S \* 5/1995 Lipic ..... D19/26

D361,782 S \* 8/1995 Chung ..... D19/26

5,857,705 A \* 1/1999 Dahlquist ..... B42C 3/00  
281/2

D437,612 S \* 2/2001 Verdicchio ..... D19/26

D476,032 S \* 6/2003 Marchand ..... D19/26

(Continued)

(57) **CLAIM**

The ornamental design for a notebook, as shown and described.

**DESCRIPTION**

FIG. 1 is a front perspective view of the notebook;

FIG. 2 is a front view thereof;

FIG. 3 is a top view thereof;

FIG. 4 is a first side view thereof;

FIG. 5 is a second side view thereof;

FIG. 6 is a rear view thereof;

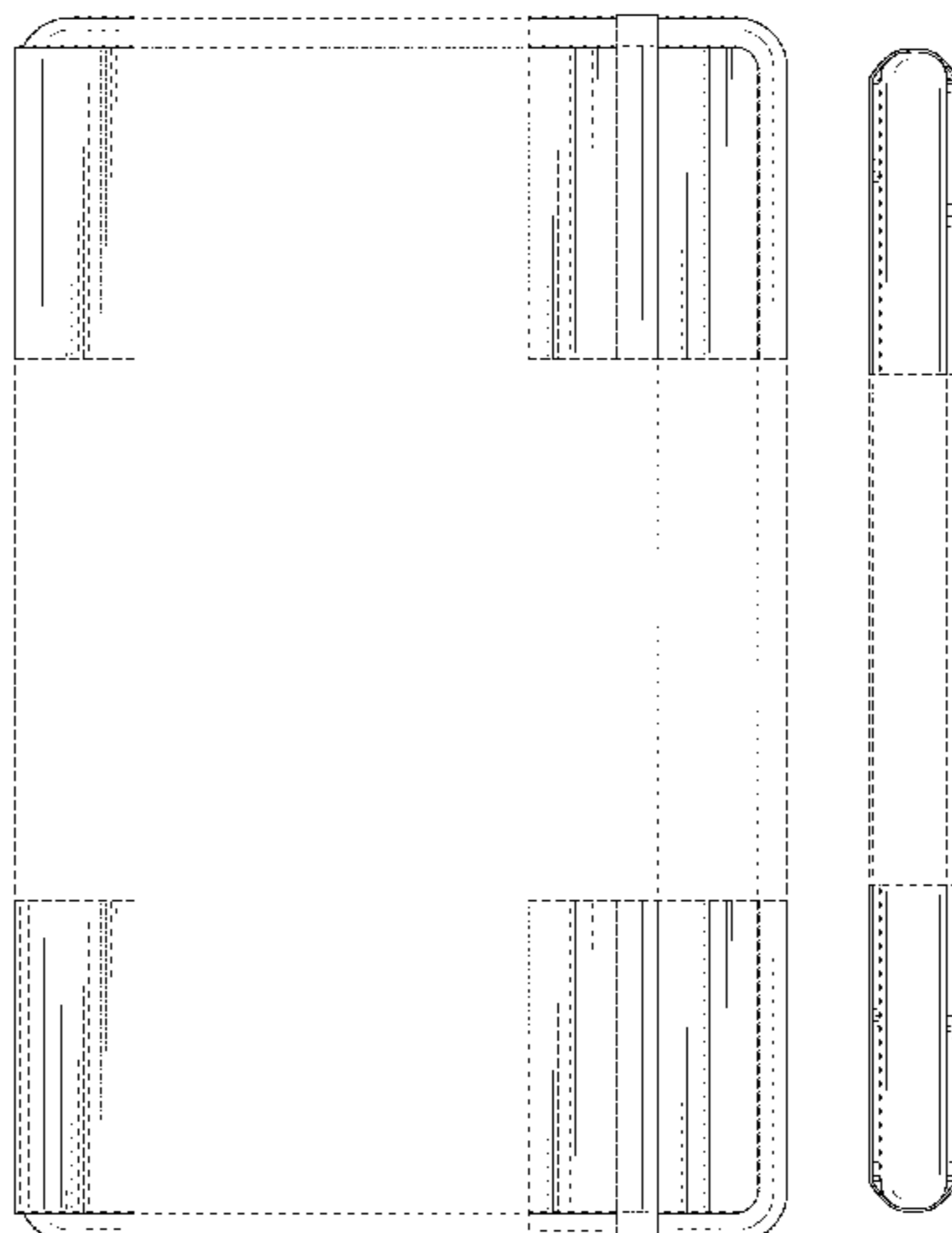
FIG. 7 is a bottom view thereof;

FIG. 8 is a rear perspective view thereof; and,

FIG. 9 is a second front perspective view thereof showing the notebook binding structure in an unbound state in order to show the cover in a lifted state.

The broken lines immediately adjacent to the shaded areas represent the bounds of the claimed design while all other broken lines are directed to environment and are for illustrative purposes only; the broken lines form no part of the claimed design.

**1 Claim, 9 Drawing Sheets**



(56)

**References Cited**

## U.S. PATENT DOCUMENTS

D523,078 S \* 6/2006 Ong ..... D19/26  
D593,601 S \* 6/2009 Stulman ..... D19/27  
D600,699 S \* 9/2009 Johnston ..... D14/440  
D641,780 S \* 7/2011 Tseng ..... D19/26  
D669,480 S \* 10/2012 Piedra ..... D14/440  
D678,884 S \* 3/2013 Phillips ..... D14/440  
D720,005 S \* 12/2014 Cofone ..... D19/26  
D724,092 S \* 3/2015 Zangari ..... D14/440  
D731,591 S \* 6/2015 Panigel ..... D19/26  
D734,816 S \* 7/2015 Alford ..... D19/26  
D759,159 S \* 6/2016 Park ..... D19/26  
D760,708 S \* 7/2016 Hirst ..... D14/250  
2007/0114783 A1 \* 5/2007 Glosch ..... B42D 3/00  
281/29  
2012/0067942 A1 \* 3/2012 Quehl ..... B42D 3/10  
229/67.4  
2013/0099472 A1 \* 4/2013 Quehl ..... B42D 3/10  
281/29  
2015/0227803 A1 \* 8/2015 Zangari ..... B42D 1/009  
358/448

## OTHER PUBLICATIONS

YouTube. <URL: <https://www.youtube.com/watch?v=e-bdmV43roQ>>. Apr. 5, 2016. Moleskine Smart Writing Set tutorial.\*  
The Gadgeteer. URL: <http://thegadgeteer.com/2011/01/20/gfeller-casemakers-leather-notebook-cover-review/> >. Jan. 20, 2011.  
Gfeller Notebook.\*

\* cited by examiner

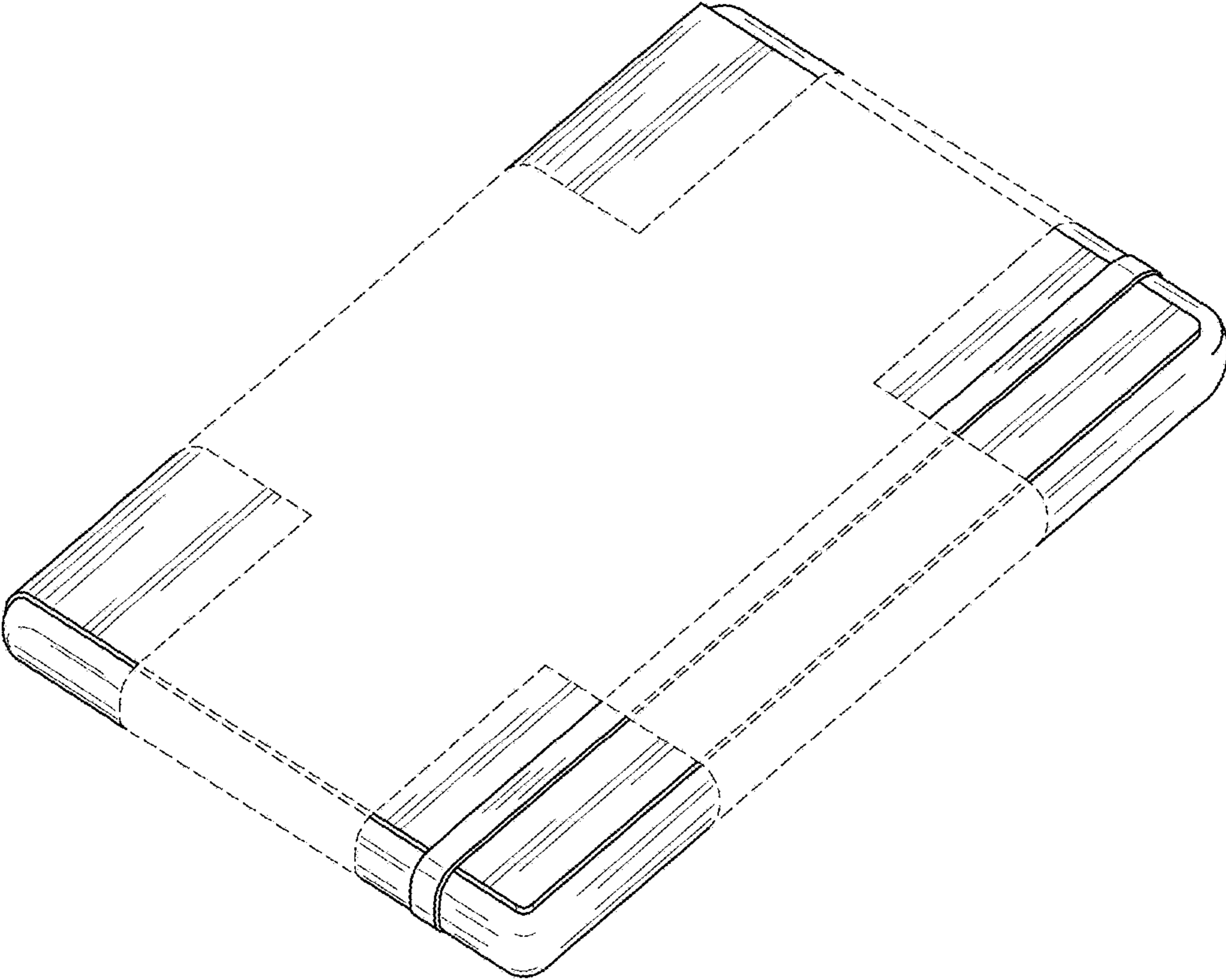


FIG. 1

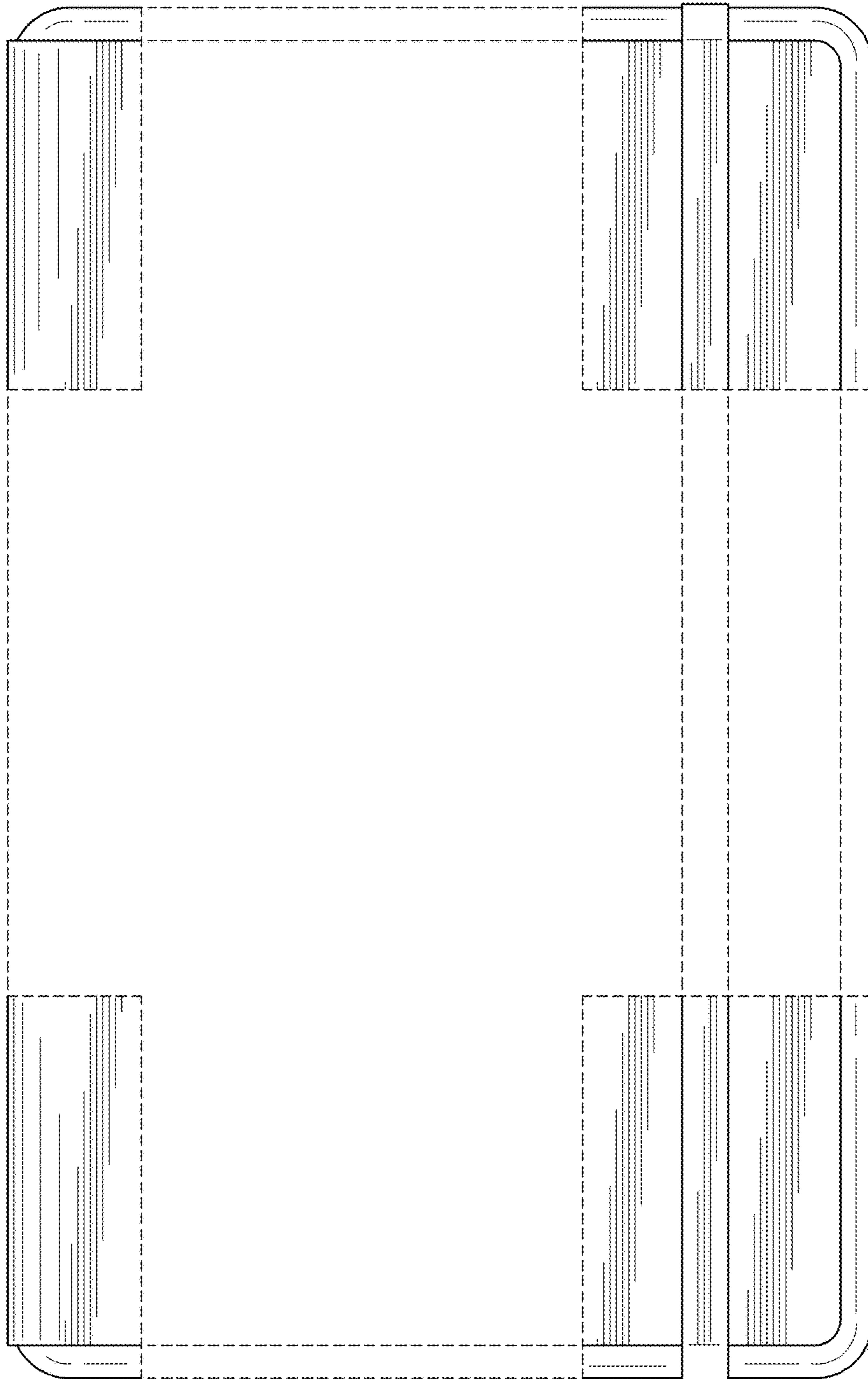


FIG. 2

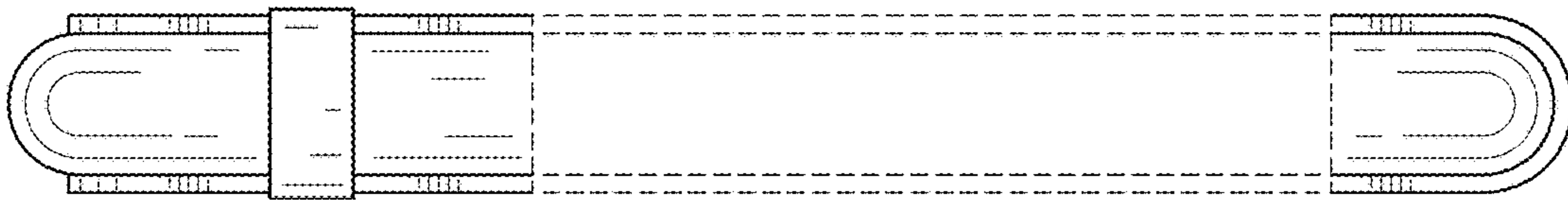


FIG. 3

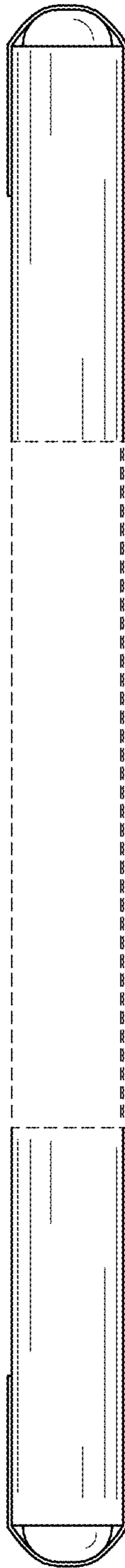


FIG. 4

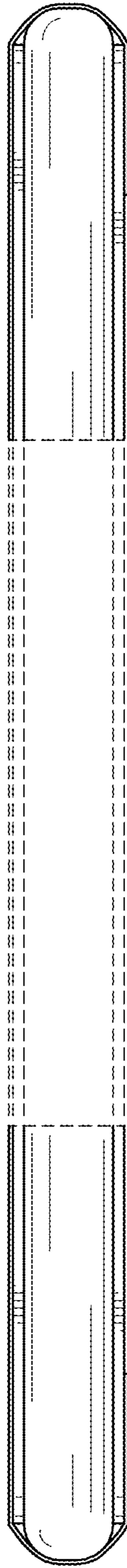


FIG. 5

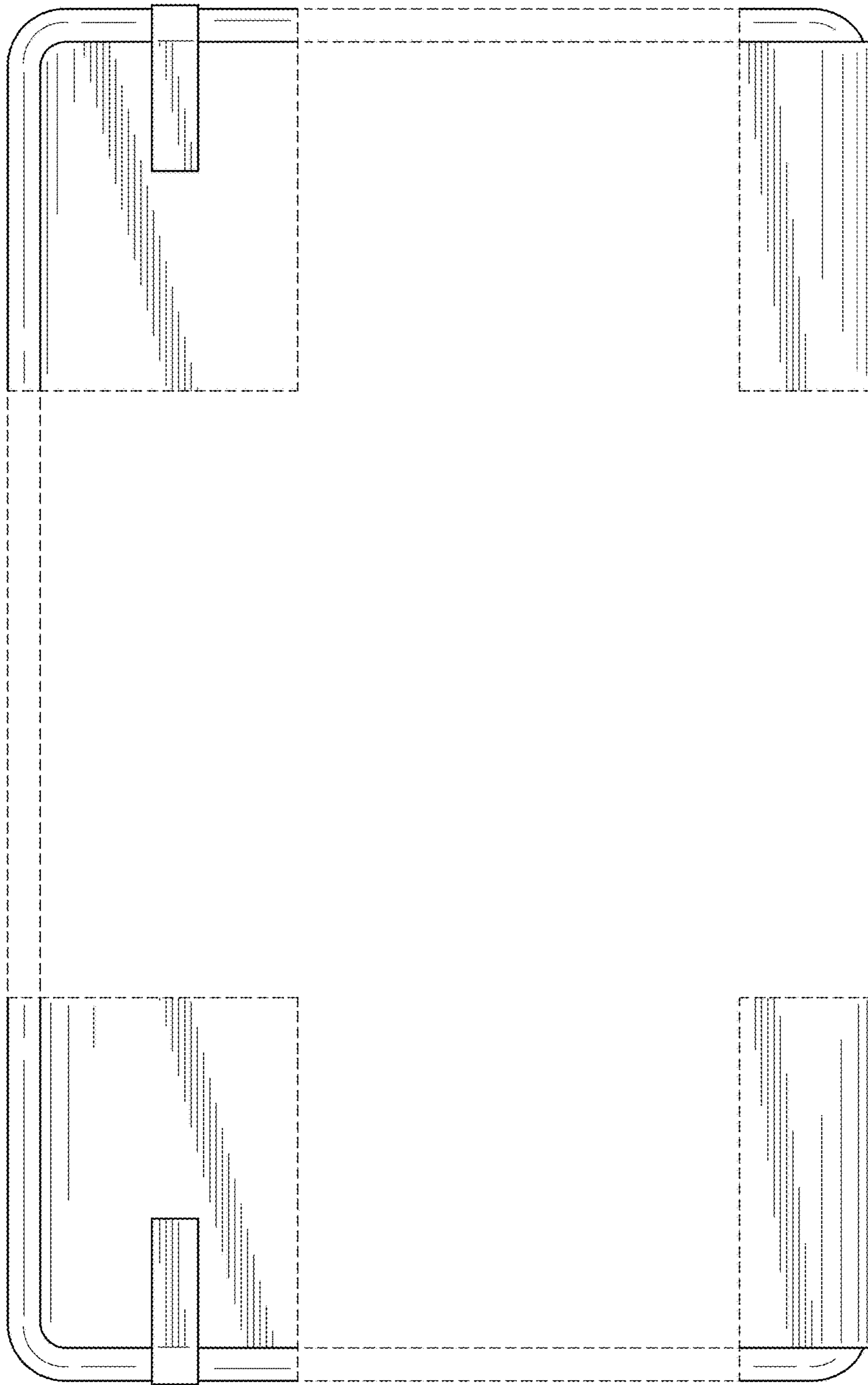


FIG. 6



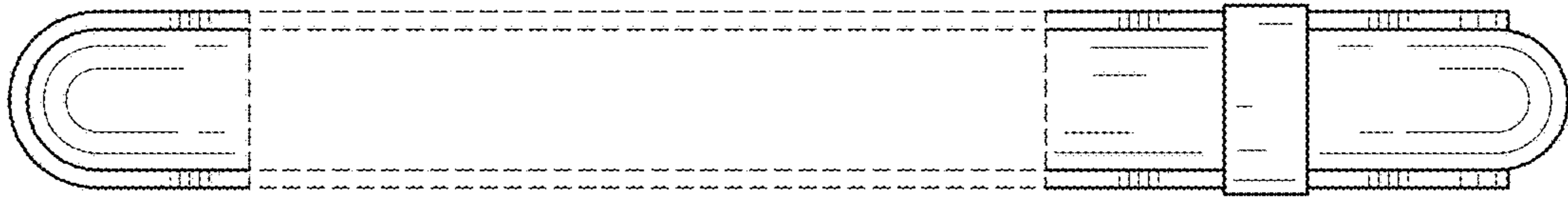


FIG. 7

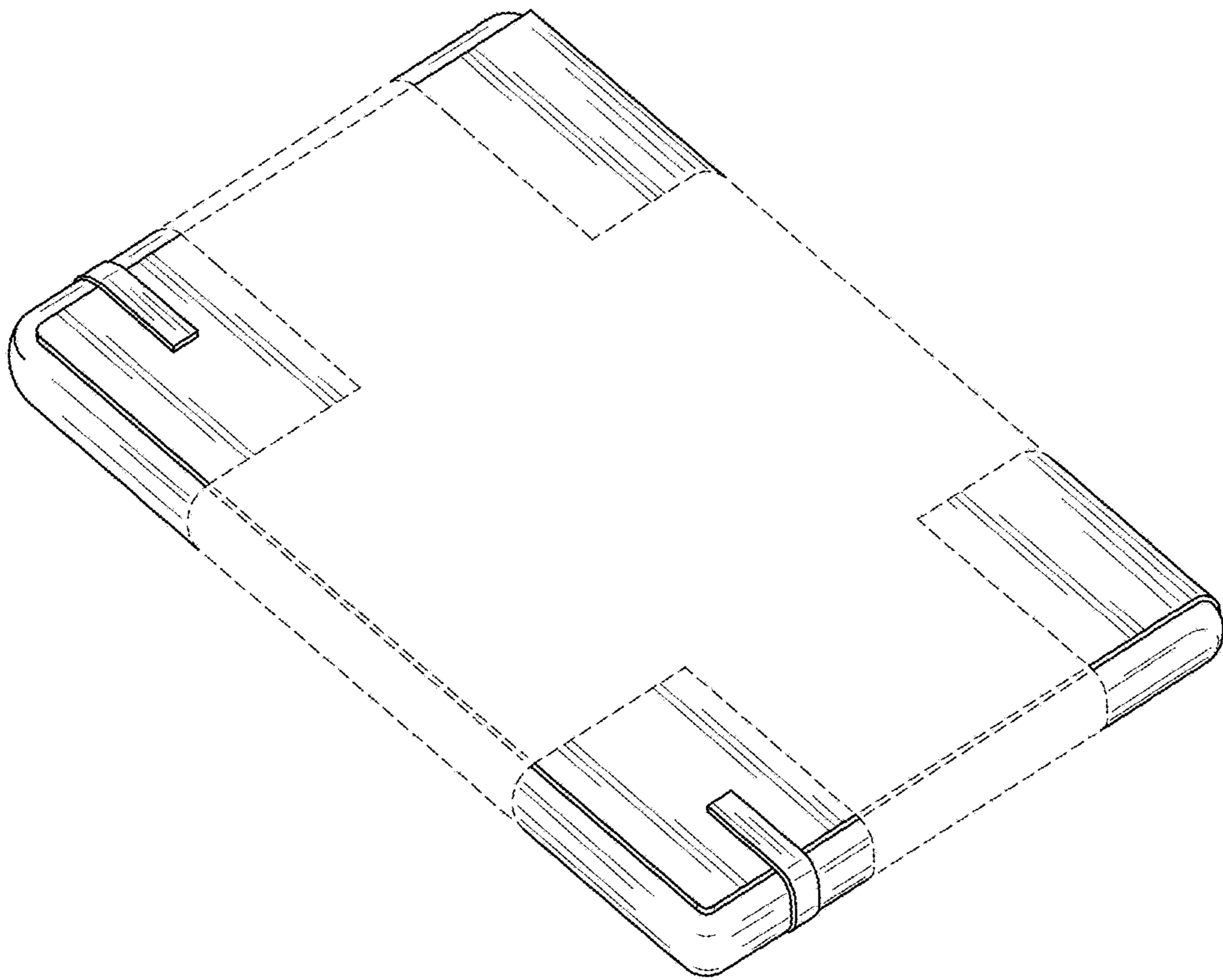


FIG. 8

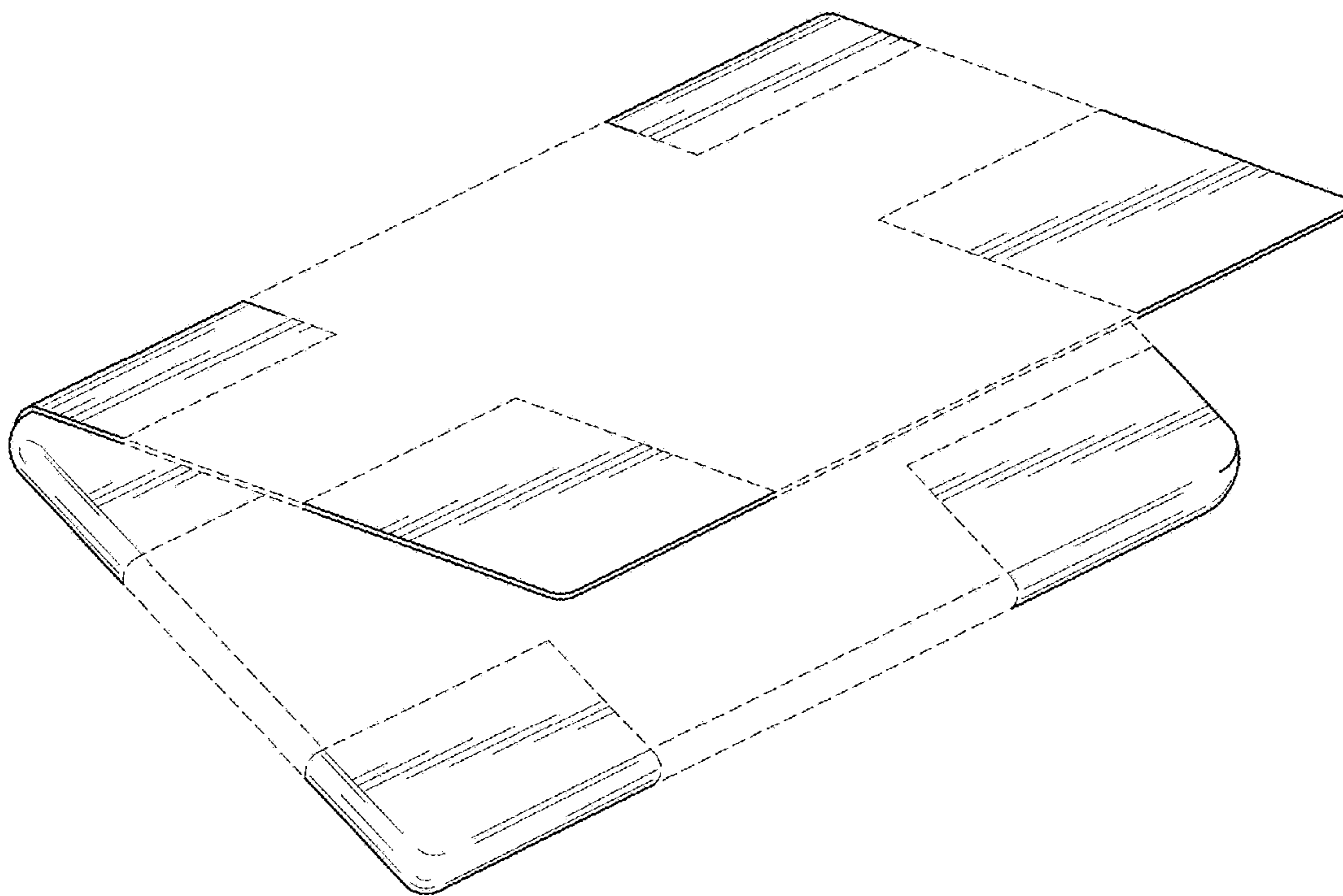


FIG. 9