



US00D820906S

(12) **United States Design Patent**
Brown et al.

(10) **Patent No.:** **US D820,906 S**
(45) **Date of Patent:** **** Jun. 19, 2018**

- (54) **MULTIFUNCTION PRINTING MACHINE**
- (71) Applicant: **XEROX CORPORATION**, Norwalk, CT (US)
- (72) Inventors: **Donald A Brown**, Honeoye Falls, NY (US); **Megumi Okubo**, Kanagawa (JP)
- (73) Assignee: **Xerox Corporation**, Norwalk, CT (US)
- (**) Term: **15 Years**
- (21) Appl. No.: **29/594,004**
- (22) Filed: **Feb. 14, 2017**
- (51) **LOC (11) Cl.** **18-02**
- (52) **U.S. Cl.**
USPC **D18/50**
- (58) **Field of Classification Search**
USPC D18/50, 54-55, 36-37, 54.1
CPC G06K 15/12; G06K 15/14; B41J 11/58;
B41J 15/042
See application file for complete search history.

- D653,704 S * 2/2012 Seki D18/55
- D736,311 S * 8/2015 Yamada D18/50
- D749,169 S * 2/2016 Kil D18/55
- D749,172 S * 2/2016 Nakagawa D18/55
- D750,164 S * 2/2016 So D18/50
- D795,954 S * 8/2017 Hirota D18/55
- D805,578 S * 12/2017 Mita D18/55
- D806,789 S * 1/2018 Hirota D18/50
- 2017/0274685 A1 * 9/2017 Hirose B41J 15/042

* cited by examiner

Primary Examiner — Robin V Webster
Assistant Examiner — James C Thorn, Sr.

(57) **CLAIM**

The ornamental design for a multifunction printing machine, as shown and described.

DESCRIPTION

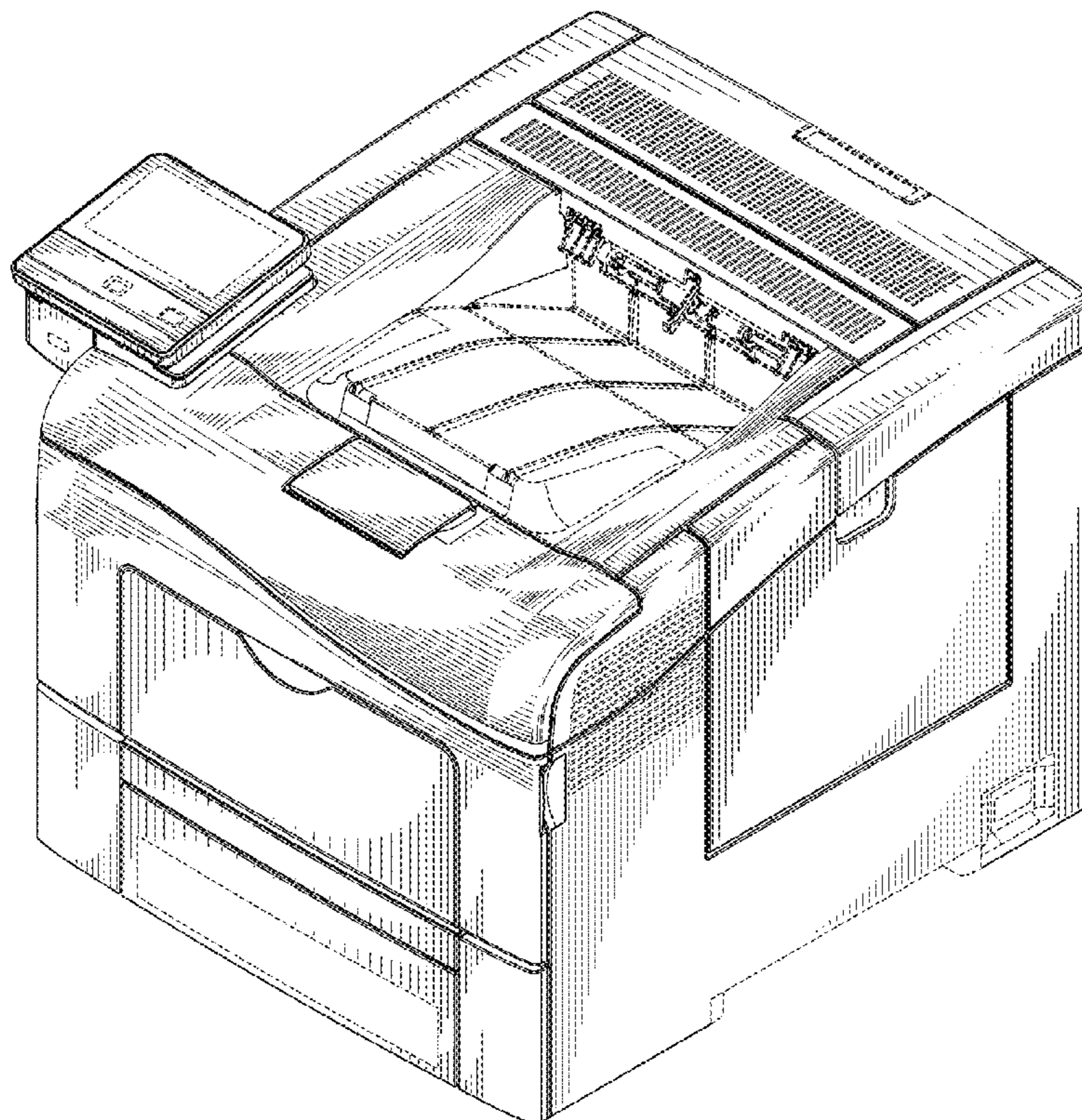
FIG. 1 is a perspective view of a multifunction printing machine in accordance with the present invention; FIG. 2 is a front view thereof; FIG. 3 is a right side view thereof; FIG. 4 is a rear view thereof; FIG. 5 is a left side view thereof; FIG. 6 is a top plan view thereof; and, FIG. 7 is a bottom plan view thereof. The broken lines in the drawings depict environmental subject matter, are for illustrative purposes only and form no part of the claimed design.

1 Claim, 7 Drawing Sheets

(56) **References Cited**

U.S. PATENT DOCUMENTS

- D351,189 S * 10/1994 Yamaguchi D18/55
- D430,596 S * 9/2000 Shiozaki D18/39
- D437,349 S * 2/2001 Saito D18/55
- D521,060 S * 5/2006 Katayama D18/55



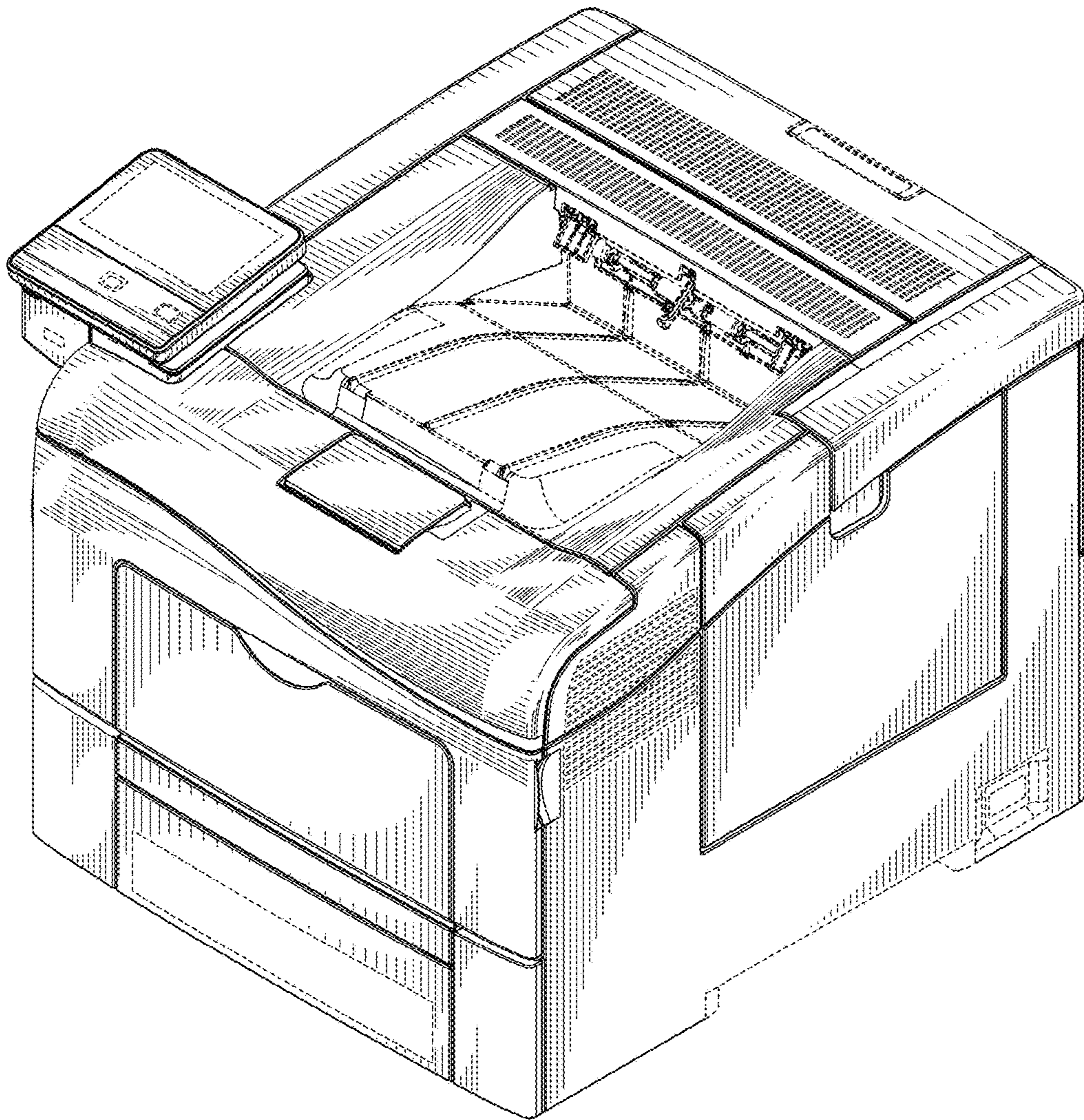


FIG. 1

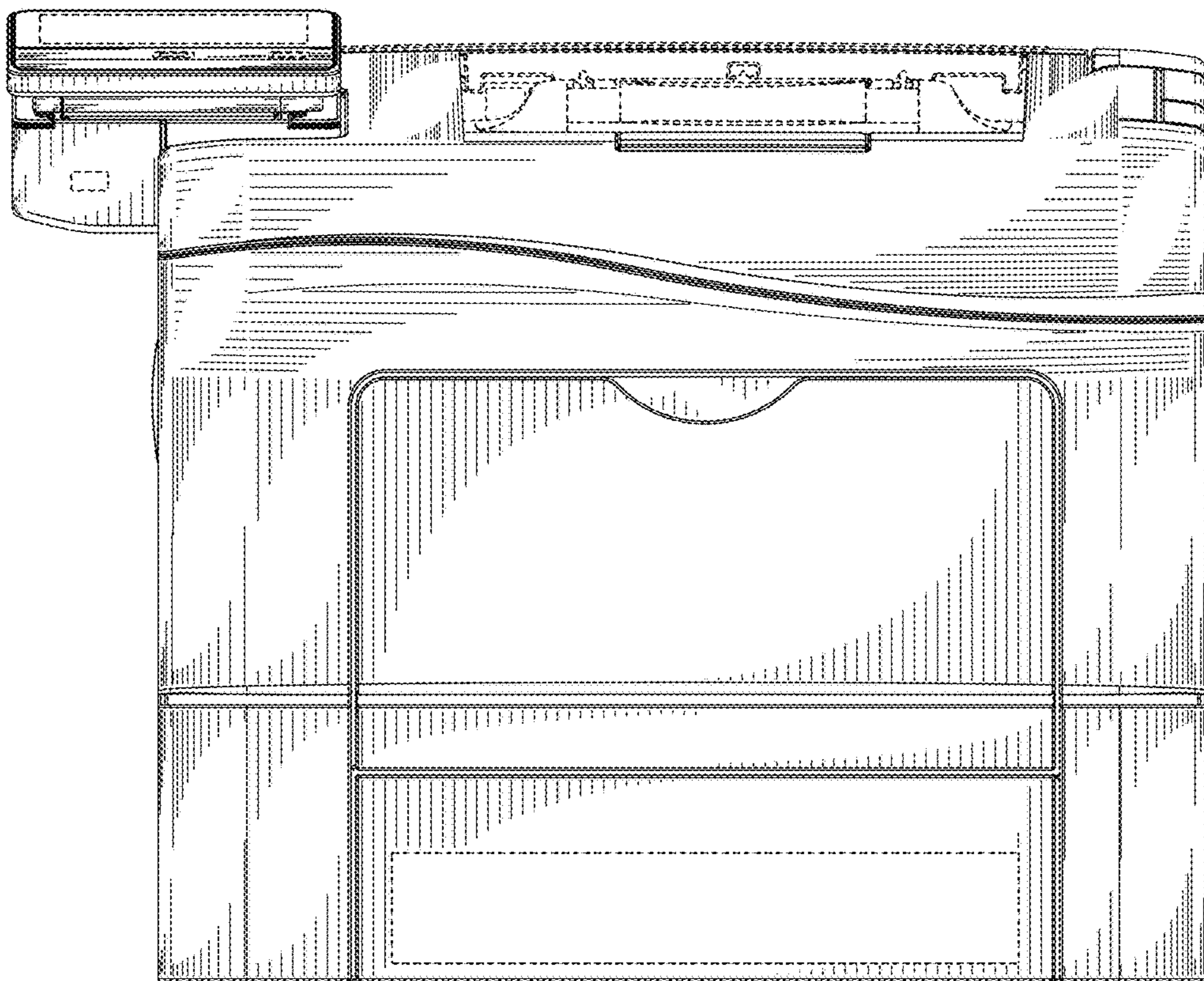


FIG. 2

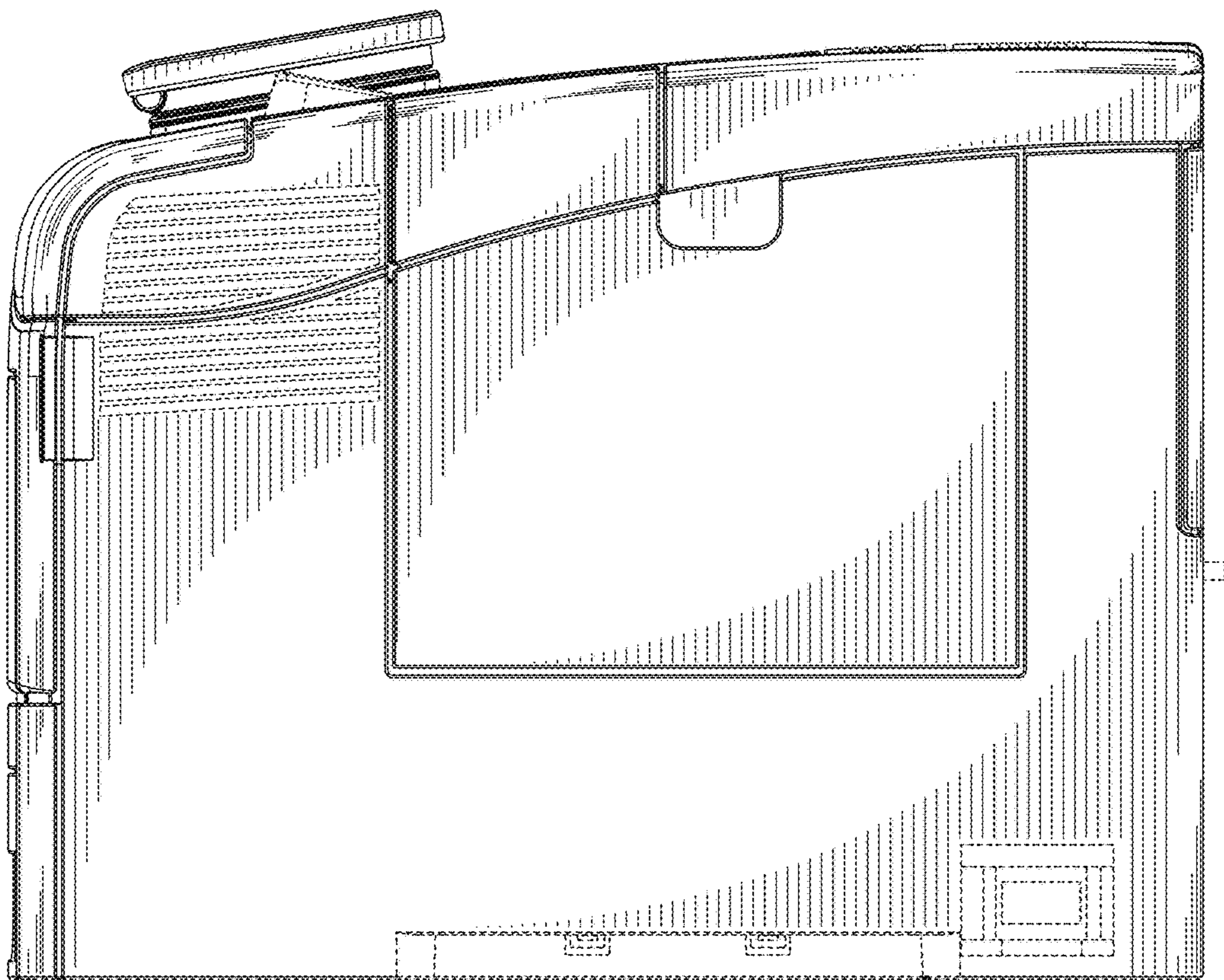


FIG. 3

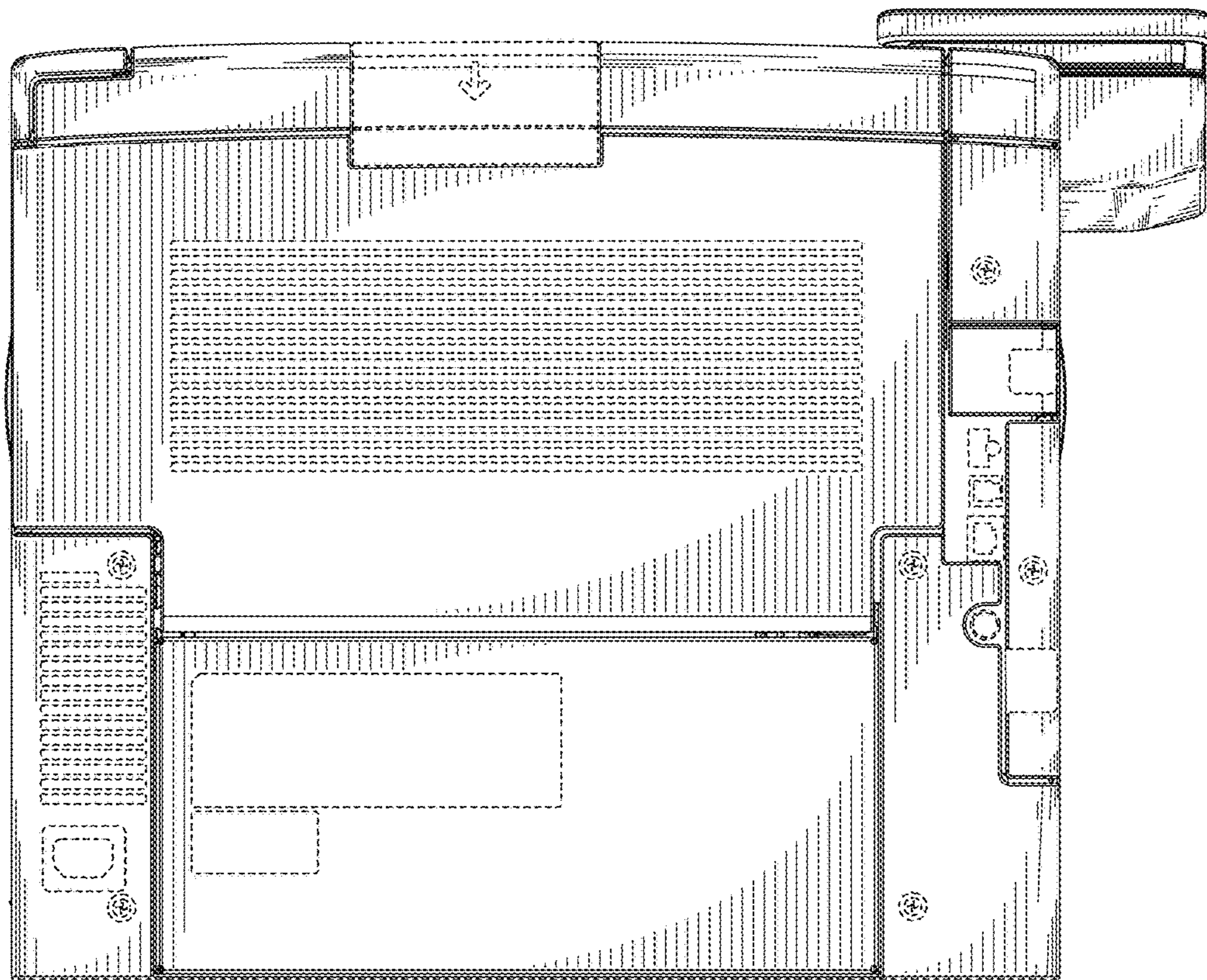


FIG. 4

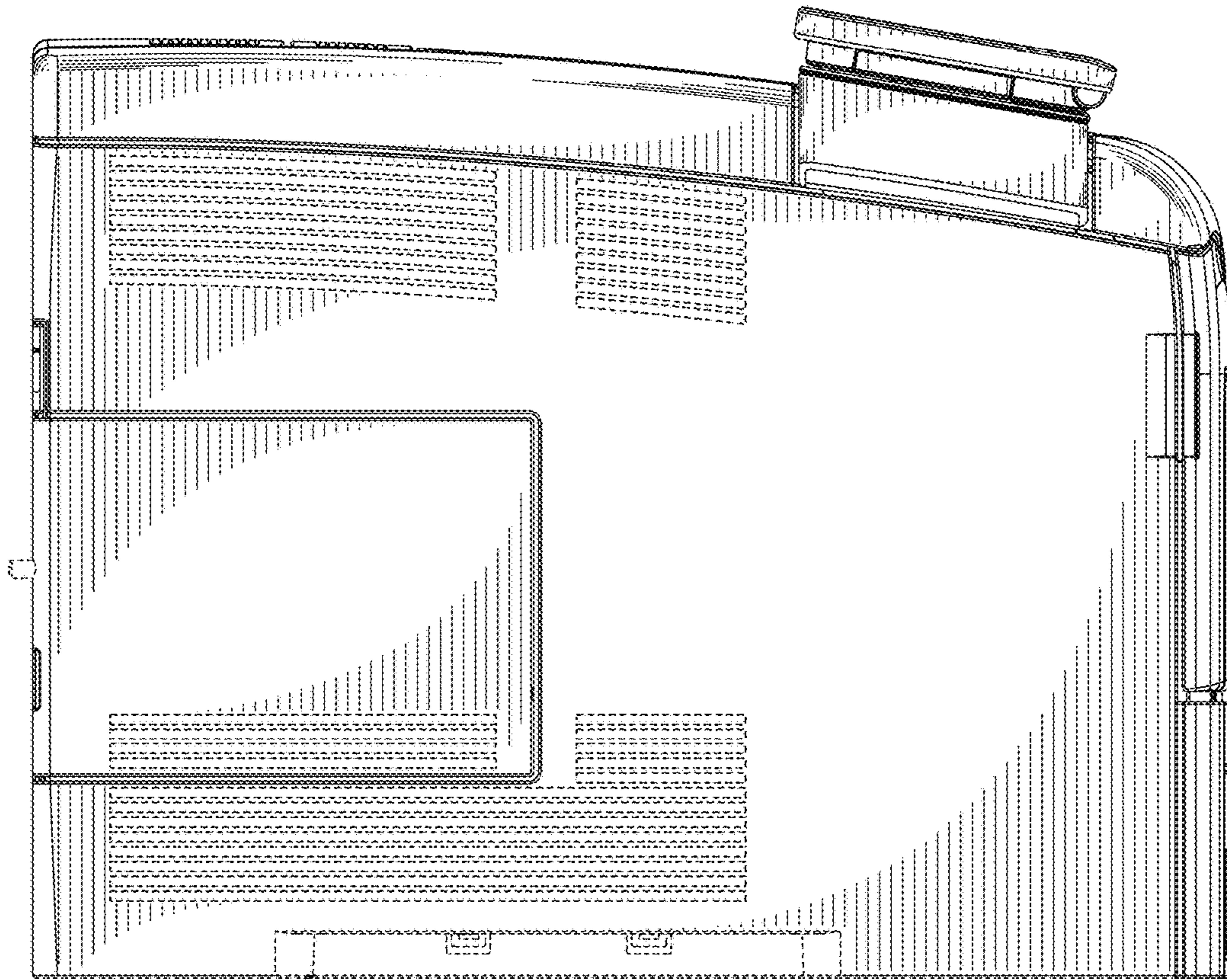


FIG. 5

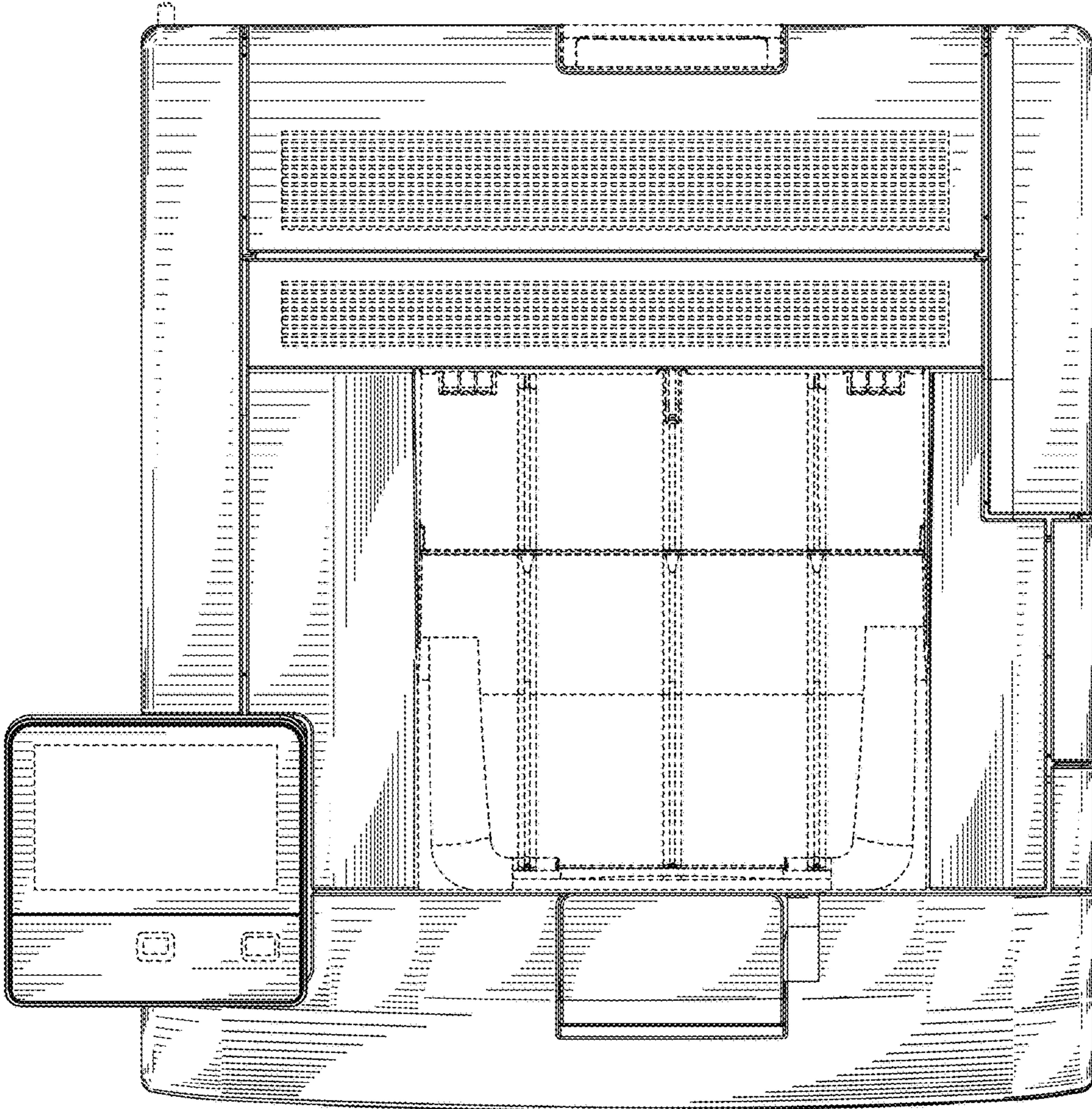


FIG. 6

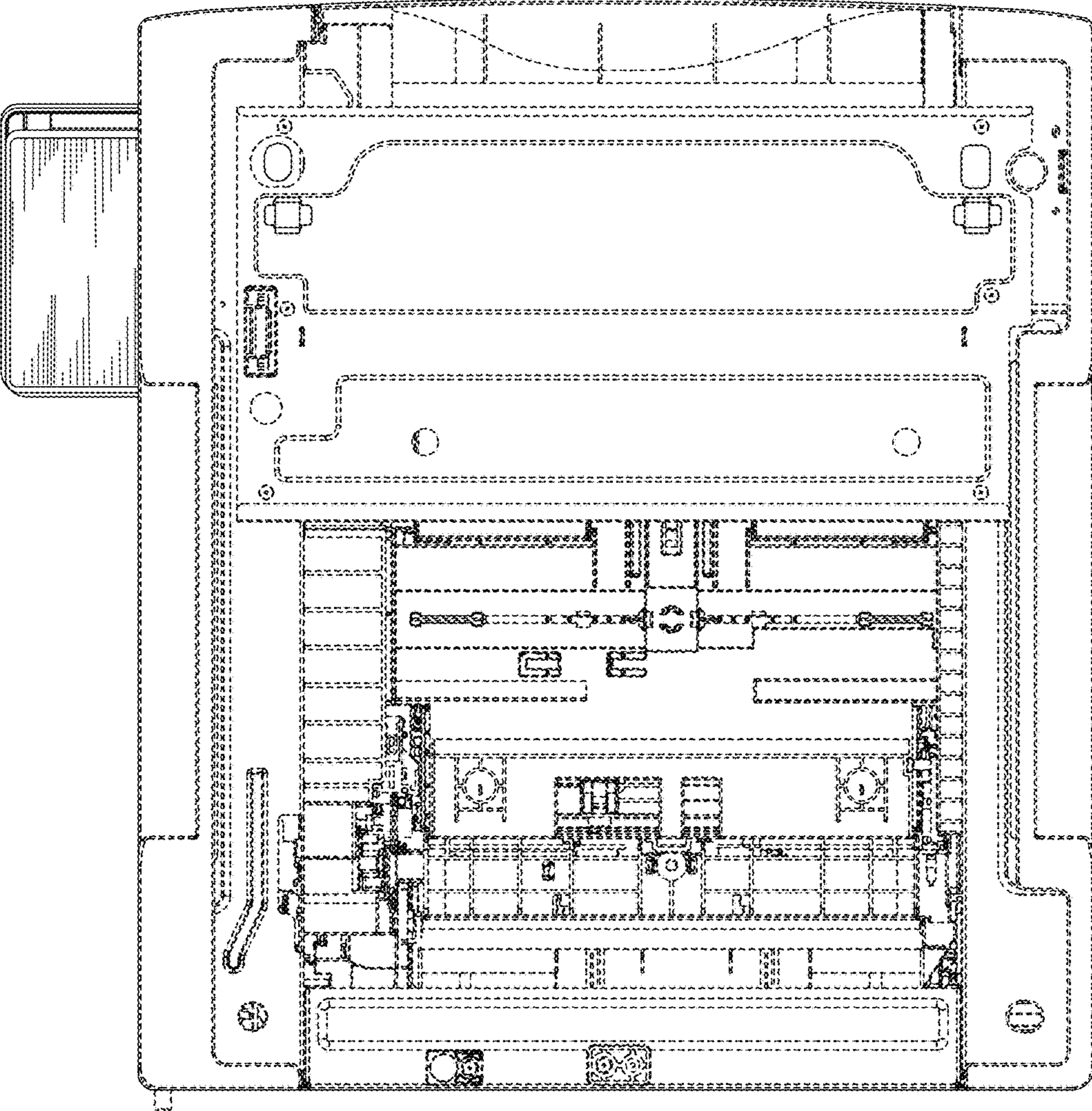


FIG. 7