



US00D820902S

(12) **United States Design Patent**
Morin

(10) **Patent No.:** **US D820,902 S**
(45) **Date of Patent:** **** Jun. 19, 2018**

(54) **VIOLIN FINGERBOARD**

FOREIGN PATENT DOCUMENTS

(71) Applicant: **Magic Music, LLC**, Rocklin, CA (US)

CN 201530104240 * 4/2015

(72) Inventor: **Van Morin**, Rocklin, CA (US)

OTHER PUBLICATIONS

(**) Term: **15 Years**

(21) Appl. No.: **29/575,270**

(22) Filed: **Aug. 23, 2016**

(51) **LOC (11) Cl.** **17-03**

(52) **U.S. Cl.**
USPC **D17/20**

(58) **Field of Classification Search**
USPC D17/14, 15, 17, 19, 20, 21, 99; 84/274,
84/277; 984/100-104
CPC .. G10D 1/00; G10D 1/02; G10D 1/08; G10D
1/10; G10D 3/06; G10D 3/08
See application file for complete search history.

Fiddlerman forum, Fiddle/Violin repair making and set up, posted on Sep. 9, 2015, [online], [site visited on Nov. 15, 2017]. Available from Internet, <URL: <http://fiddlerman.com/forum/fiddle-violin-repair-making-and-set-up/frets-for-your-violin/#p75431>> (Year: 2015).*

Amazon, Fingerboard, posted on Jun. 23, 2015, online, site visited on Nov. 15, 2017. From Internet, URL: https://www.amazon.com/Kmise-A0717-Ebony-Violin-Fingerboard/dp/B00V45H34Q/ref=sr_1_1?s=musical-instruments&ie=UTF8&qid=1510781519&sr=1-1&keywords=Kmise+A0717+Ebony+4%2F4+Violin+Fingerboard+Violin+Parts> (Year: 2015).*

(Continued)

(56) **References Cited**

U.S. PATENT DOCUMENTS

759,850 A * 5/1904 Battram G10D 1/02
84/274
826,379 A * 7/1906 Sprotte G10D 3/06
84/314 R
D62,106 S * 3/1923 Kozelek 84/275
D105,351 S * 7/1937 Stathopoulo D17/19
D169,062 S * 3/1953 Fender D17/14
2,683,388 A * 7/1954 Keller G10H 3/181
84/727
D395,913 S * 7/1998 Schaub D17/17
7,173,175 B2 * 2/2007 Shaffer G09B 15/003
84/314 R
D568,375 S * 5/2008 Campos D17/14
D659,747 S * 5/2012 Lynch D17/14
8,319,081 B1 * 11/2012 Ridge G10D 1/00
84/263
2015/0122109 A1 * 5/2015 Hsu G09B 15/06
84/465

Primary Examiner — Sheryl Lane
Assistant Examiner — Samantha N Wood
(74) *Attorney, Agent, or Firm* — Craig A. Simmermon

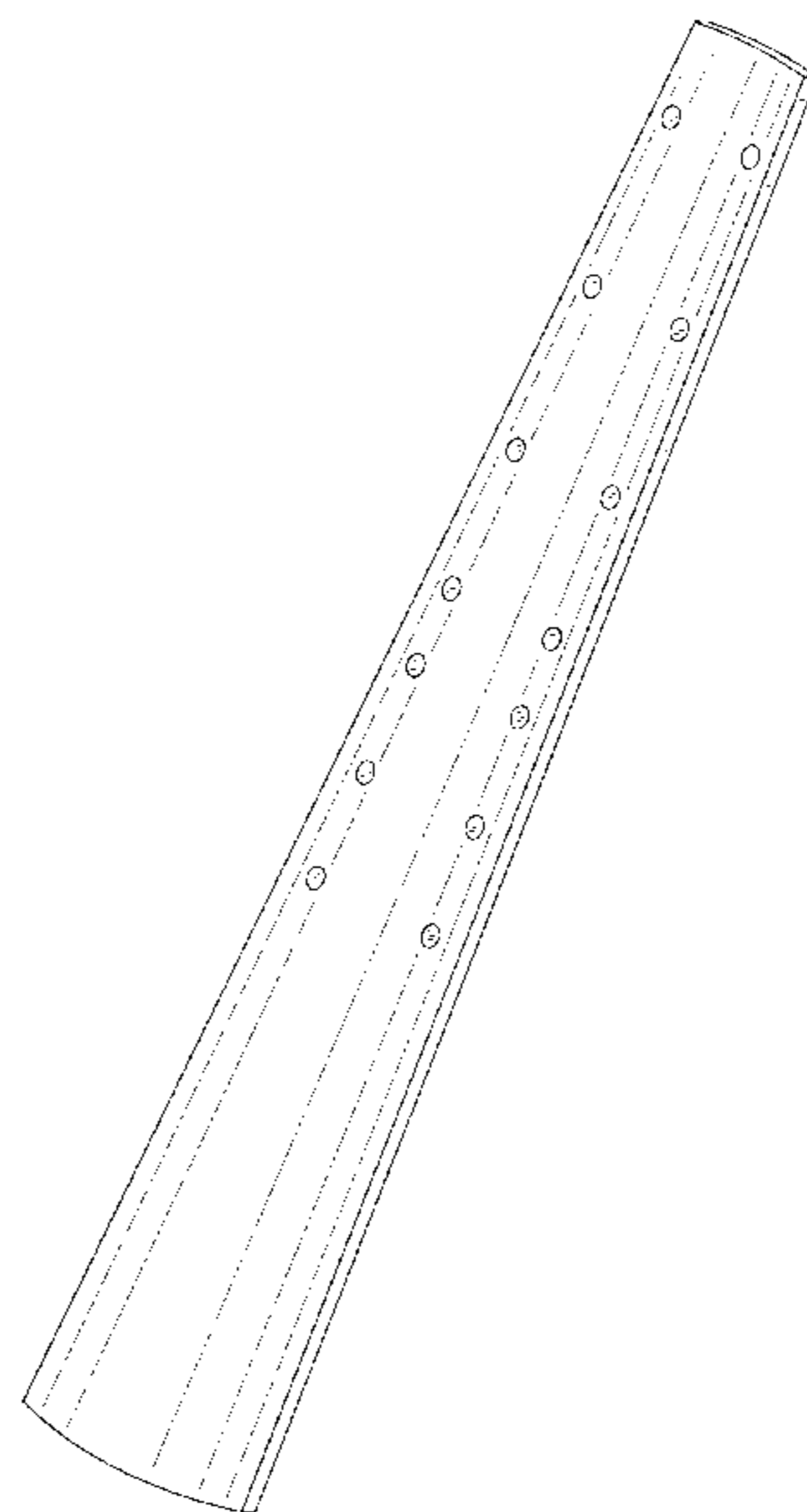
(57) **CLAIM**

The ornamental design for a violin fingerboard, as shown and described.

DESCRIPTION

FIG. 1 is a front perspective view of a violin fingerboard showing my new design;
FIG. 2 is a front elevation view thereof;
FIG. 3 is a left side elevation view thereof;
FIG. 4 is a right side elevation view thereof;
FIG. 5 is a top perspective view thereof;
FIG. 6 is a portion of an enlarged right side elevation view thereof; and,
FIG. 7 is a portion of an enlarged front perspective view thereof.

1 Claim, 6 Drawing Sheets



(56)

References Cited

OTHER PUBLICATIONS

USA Custom Guitars, Necks, webarchive Feb. 11, 2015, [online], [site visited on Nov. 15, 2017]. Available from Internet, <URL: <https://web.archive.org/web/20150211180354/http://www.usacustomguitars.com:80/necks>> (Year: 2015).*

Dutch Archtop Guitar Museum, Epiphone Fingerboards, webarchive on Aug. 20, 2015, [online], [site visited on Nov. 15, 2017]. Available from Internet, <URL: <https://web.archive.org/web/20150820055935/https://dutcharchtopguitarmuseum.nl/epiphone-fingerboards/>> (Year: 2015).*

eBay, Epiphone Electar Coronet amplifier & Lap Steel Guitar, circa 1939, [online], [site visited on Nov. 15, 2017]. Available from Internet, URL: <https://www.ebay.com/itm/Epiphone-Electar-Coronet-amplifier-Lap-Steel-Guitar-ORIGINAL-1939-pre-Gibson-/251854678492>> (Year: 1939).*

Absolute Music, Epiphone Electar Model M Lap Steel Electric Guitar, circa 1938, [online], [site visited on Nov. 15, 2017]. Available from Internet, URL: <https://www.absolutemusic.co.uk/epiphone-electar-model-m-lap-steel-electric-guitar-with-soft-case-pre-owned.html>> (Year: 1938).*

Electric Violins, NS Designs, webarchived on Sep. 22, 2011, [online], [site visited on Nov. 16, 2017]. Available from Internet, URL: https://web.archive.org/web/20110922064856/http://www.electric-violins.com:80/N_S_designs.php> (Year: 2011).*

Talk Bass, NS Design CR4M EUB, posted on Oct. 11, 2013, [online], [site visited on Nov. 16, 2017]. Available from Internet, <URL: <https://www.talkbass.com/threads/fs-ns-design-cr4m-eub.1021932/>> (Year: 2013).*

* cited by examiner

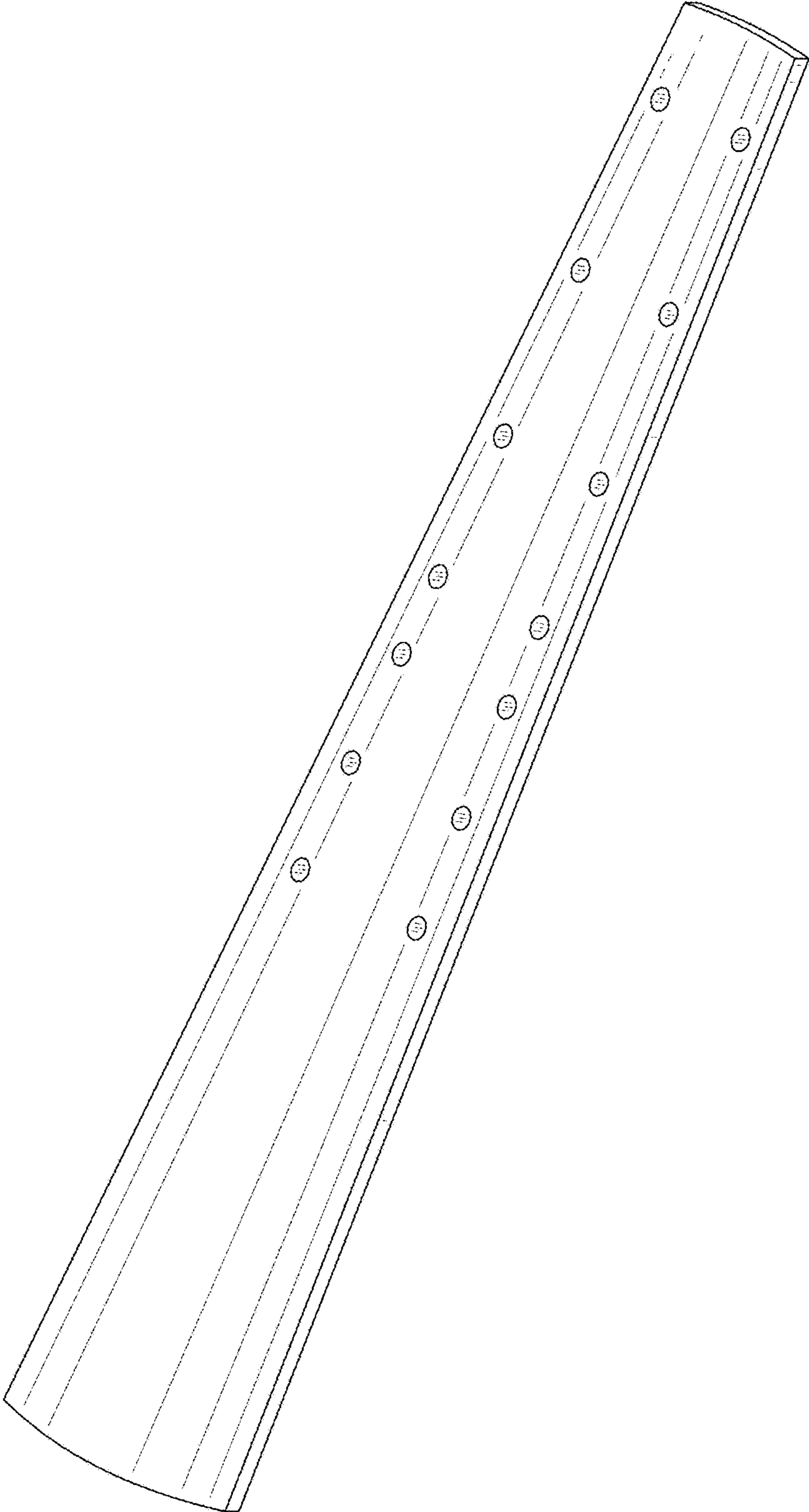


FIG. 1

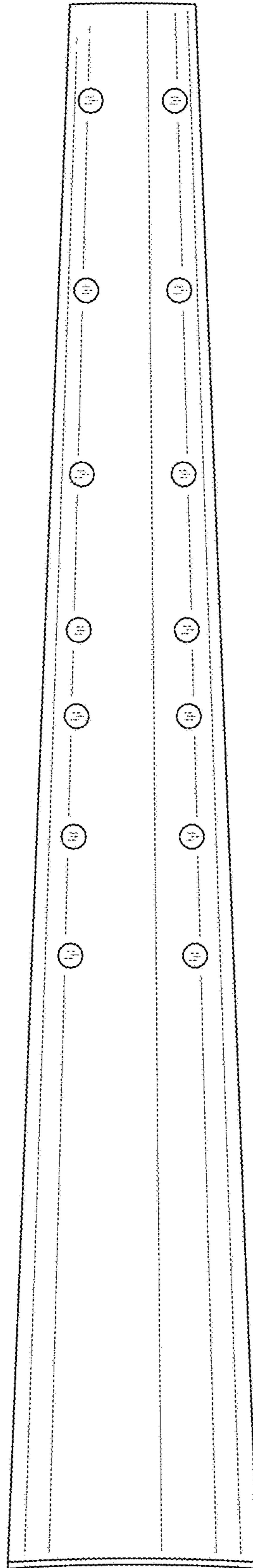


FIG. 2

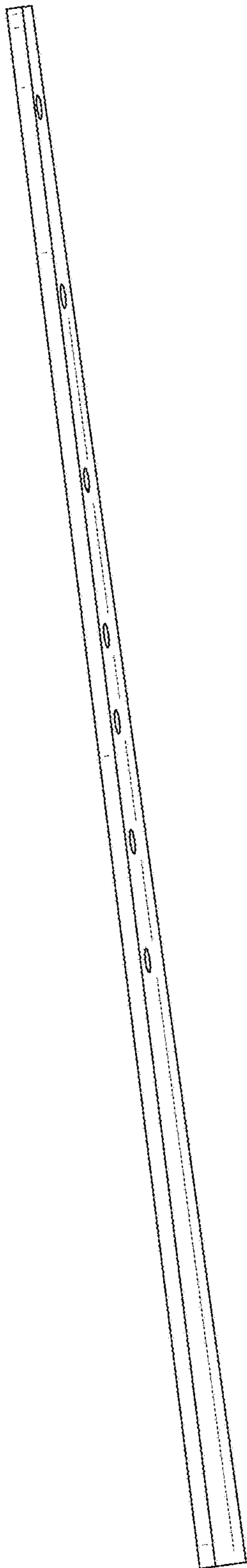


FIG. 3

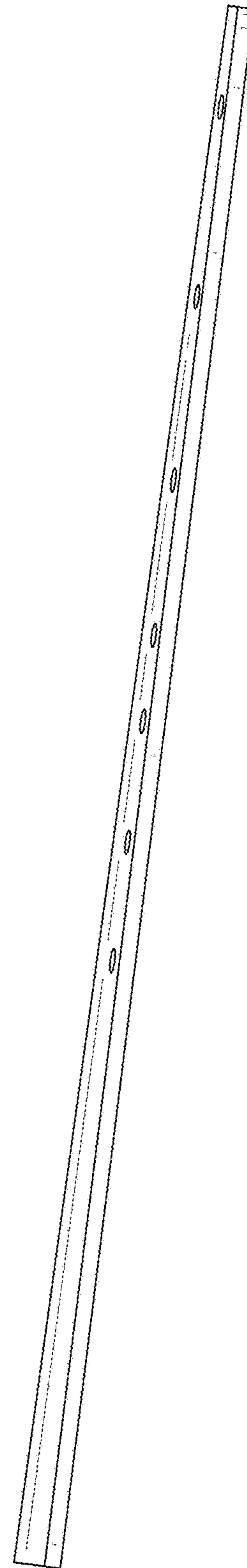


FIG. 4

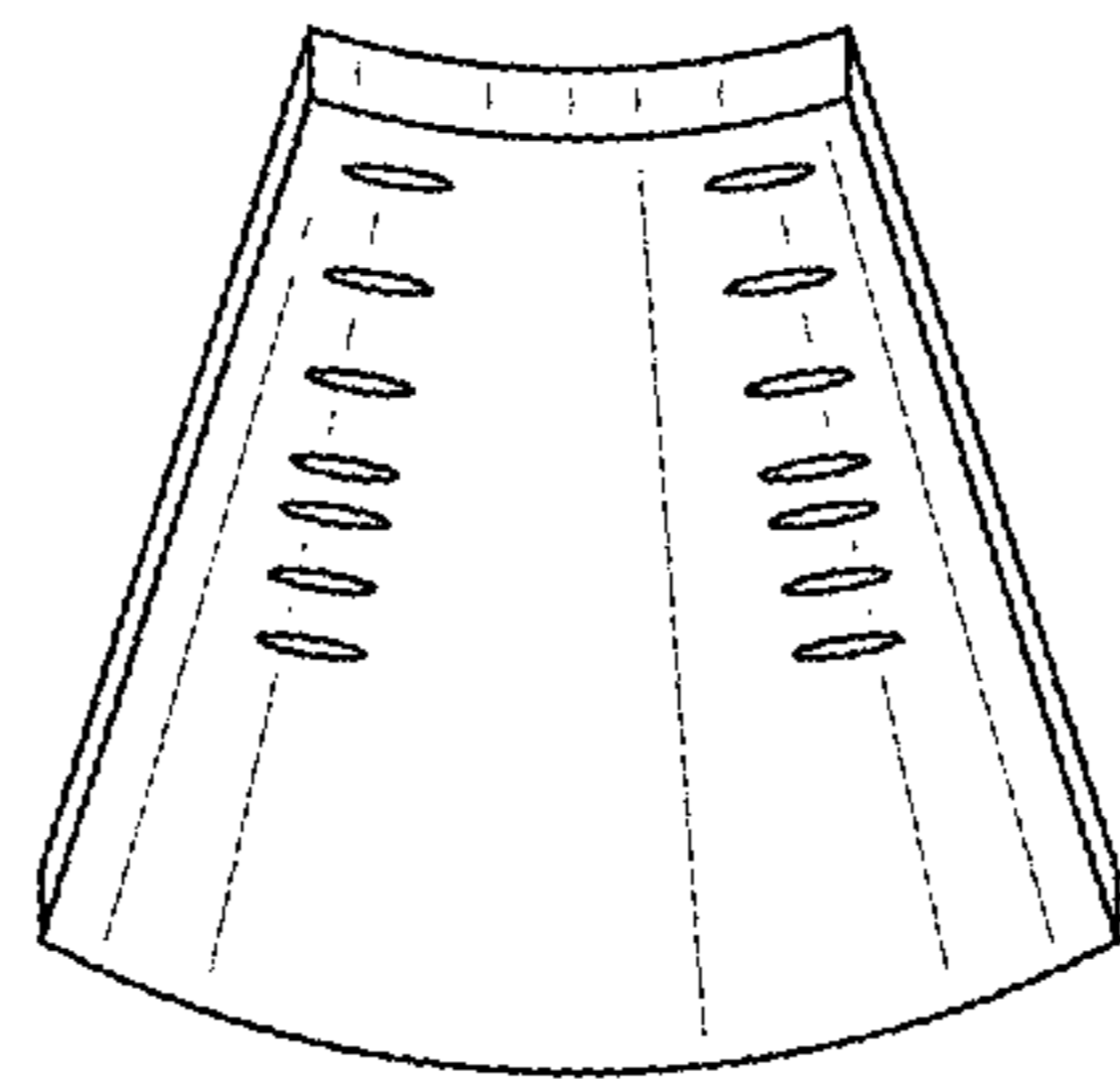


FIG. 5

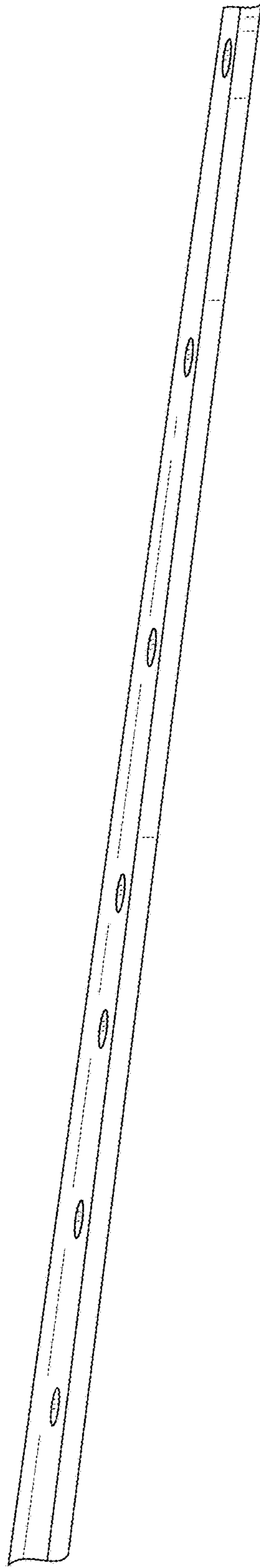


FIG. 6

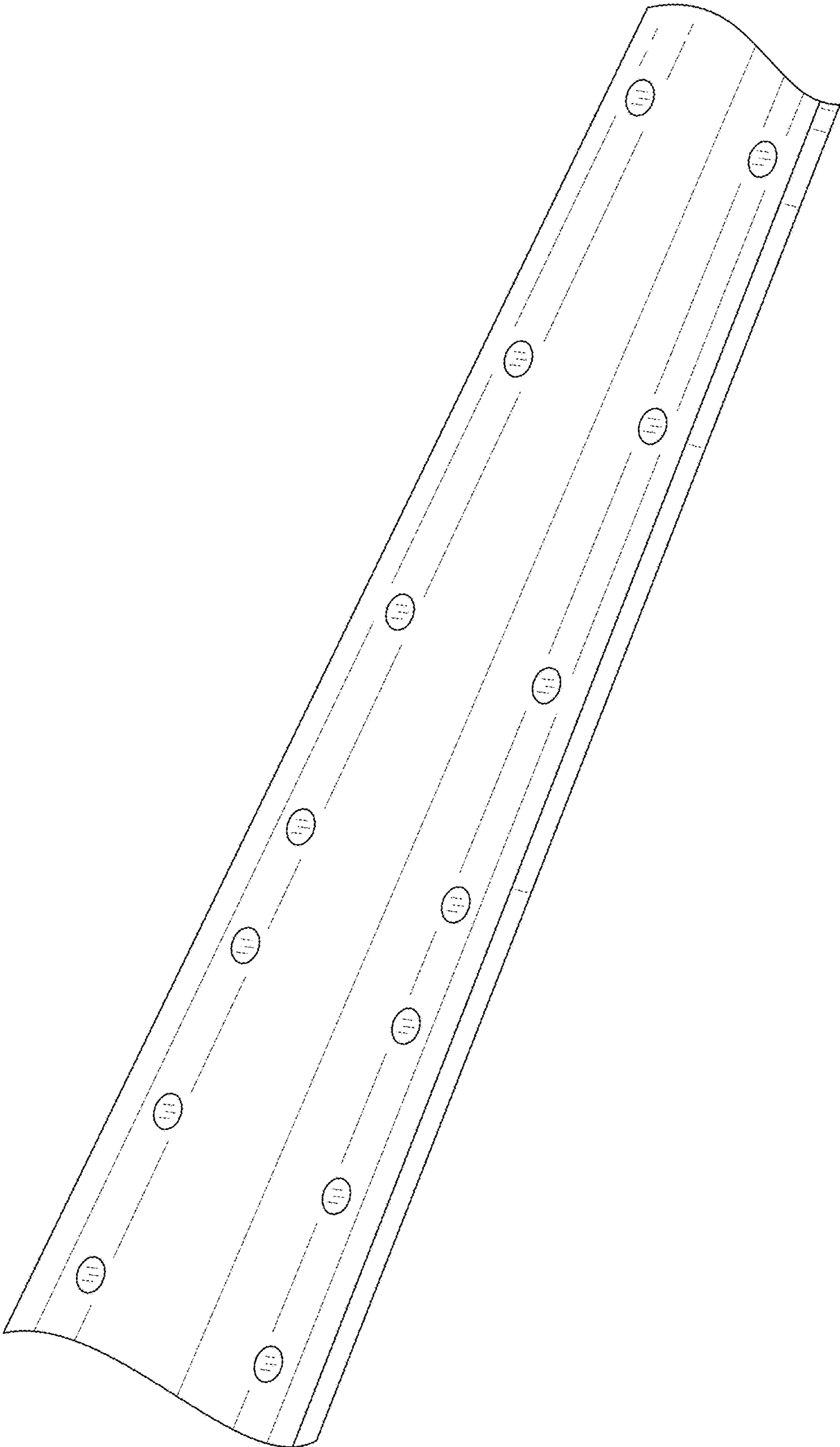


FIG. 7