



US00D820901S

(12) **United States Design Patent**
Tatsumi

(10) **Patent No.:** **US D820,901 S**
(45) **Date of Patent:** **** Jun. 19, 2018**

(54) **MUTE**
(71) Applicant: **YAMAHA CORPORATION**,
Hamamatsu-shi (JP)
(72) Inventor: **Keizo Tatsumi**, Hamamatsu (JP)
(73) Assignee: **YAMAHA CORPORATION**,
Hamamatsu-shi, Shizuoka (JP)

D223,726 S * 5/1972 Crown 84/400
D234,875 S * 4/1975 Beversdorf D17/13
D386,197 S * 11/1997 Hamanaga 84/400
D505,692 S * 5/2005 Lee D17/13
D520,654 S * 5/2006 Freeman D26/16
D608,141 S * 1/2010 Sanders D7/300.1
D630,037 S * 1/2011 Kauer D7/300
D642,018 S * 7/2011 Zamarripa D7/300.1

(Continued)

(**) Term: **15 Years**
(21) Appl. No.: **29/585,407**
(22) Filed: **Nov. 23, 2016**

FOREIGN PATENT DOCUMENTS

FR 2725297 A1 * 4/1996 G10D 9/06

(30) **Foreign Application Priority Data**

May 27, 2016 (JP) 2016-011331

(51) **LOC (11) Cl.** **17-02**
(52) **U.S. Cl.**
USPC **D17/13**

(58) **Field of Classification Search**
USPC D17/10, 11, 13, 99; D7/300.1, 398
CPC .. G10D 7/00; G10D 7/10; G10D 9/00; G10D
9/005; G10D 9/04; G10D 7/12; G10D
7/123; G10D 9/06

See application file for complete search history.

OTHER PUBLICATIONS

Youtube, Silent Brass for Euphonium, posted on Sep. 1, 2016, [online], [site visited on Nov. 3, 2017]. Available from Internet, <URL: <https://www.youtube.com/watch?v=k7BdoMOcrp0>> (Year: 2016).*

Primary Examiner — Sheryl Lane

Assistant Examiner — Samantha N Wood

(74) *Attorney, Agent, or Firm* — Sughrue Mion, PLLC

(57) **CLAIM**

The ornamental design for a mute, as shown and described.

(56) **References Cited**

U.S. PATENT DOCUMENTS

1,445,115 A * 2/1923 Turner G10D 9/06
84/400
D71,647 S * 12/1926 Magosy D17/13
D71,648 S * 12/1926 Magosy D17/13
D71,649 S * 12/1926 Magosy D17/13
2,252,847 A * 8/1941 Greenspan G10D 9/06
84/400
2,574,591 A * 11/1951 Rudd G10D 9/06
84/400
D170,840 S * 11/1953 Tupper D7/300.1
3,322,015 A * 5/1967 Berg G10D 9/06
84/400

DESCRIPTION

FIG. 1 is a perspective view of the front, top and right side of a mute showing my new design;

FIG. 2 is a perspective view of the front, bottom and right side thereof;

FIG. 3 is a front view thereof;

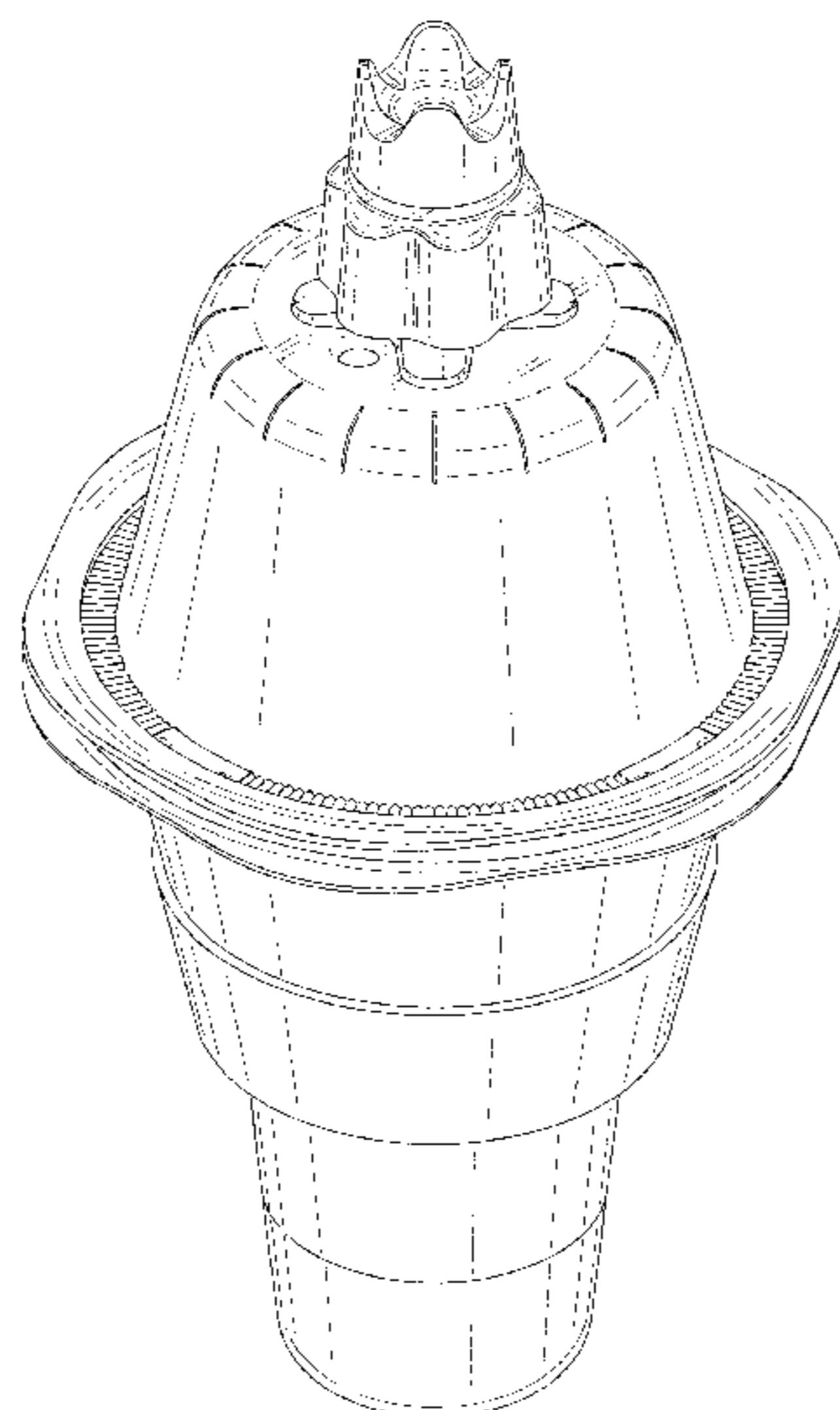
FIG. 4 is a right side view thereof;

FIG. 5 is a top plan view thereof; and,

FIG. 6 is a bottom view thereof.

The broken line showing the mute is included for the purpose of illustrating portions of the mute and forms no part of the claimed design.

1 Claim, 6 Drawing Sheets



(56)

References Cited

U.S. PATENT DOCUMENTS

D727,671 S *	4/2015	Gamelli	D7/300.1
2004/0261602 A1 *	12/2004	Shellhammer	G10D 9/06 84/400
2017/0236502 A1 *	8/2017	Allendorph	G10D 9/06 84/737

* cited by examiner

Fig. 1

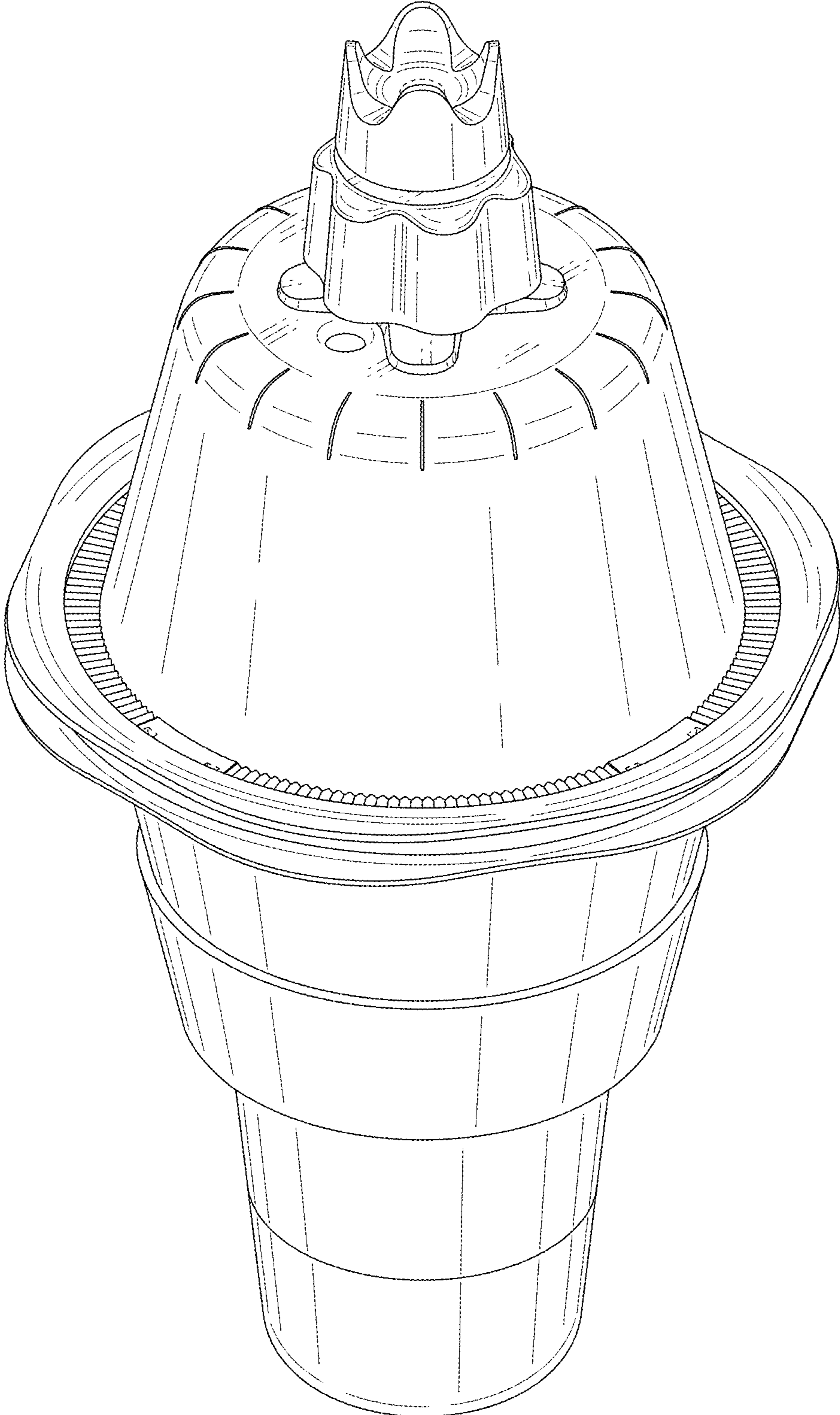


Fig. 2

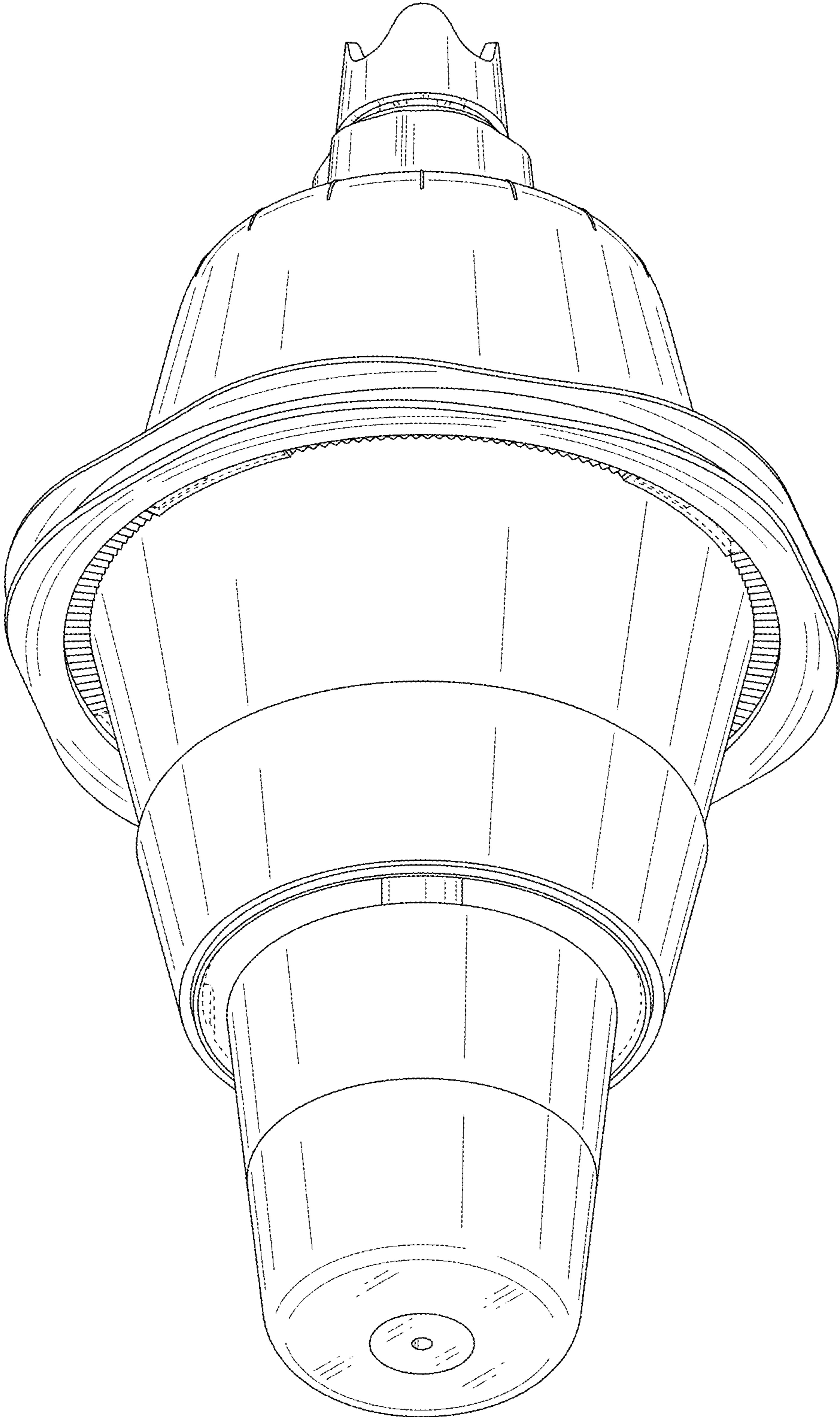


Fig. 3

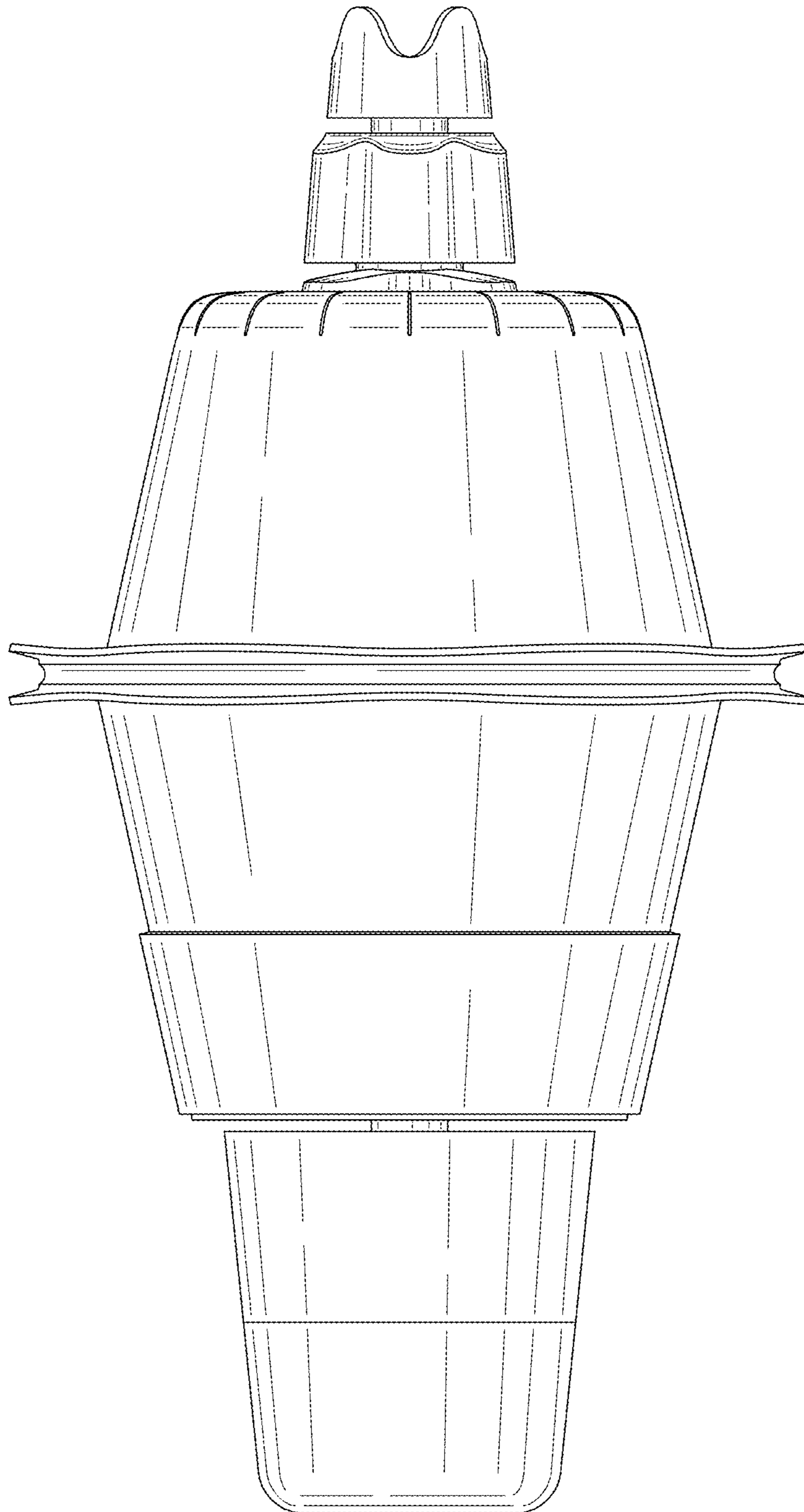


Fig. 4

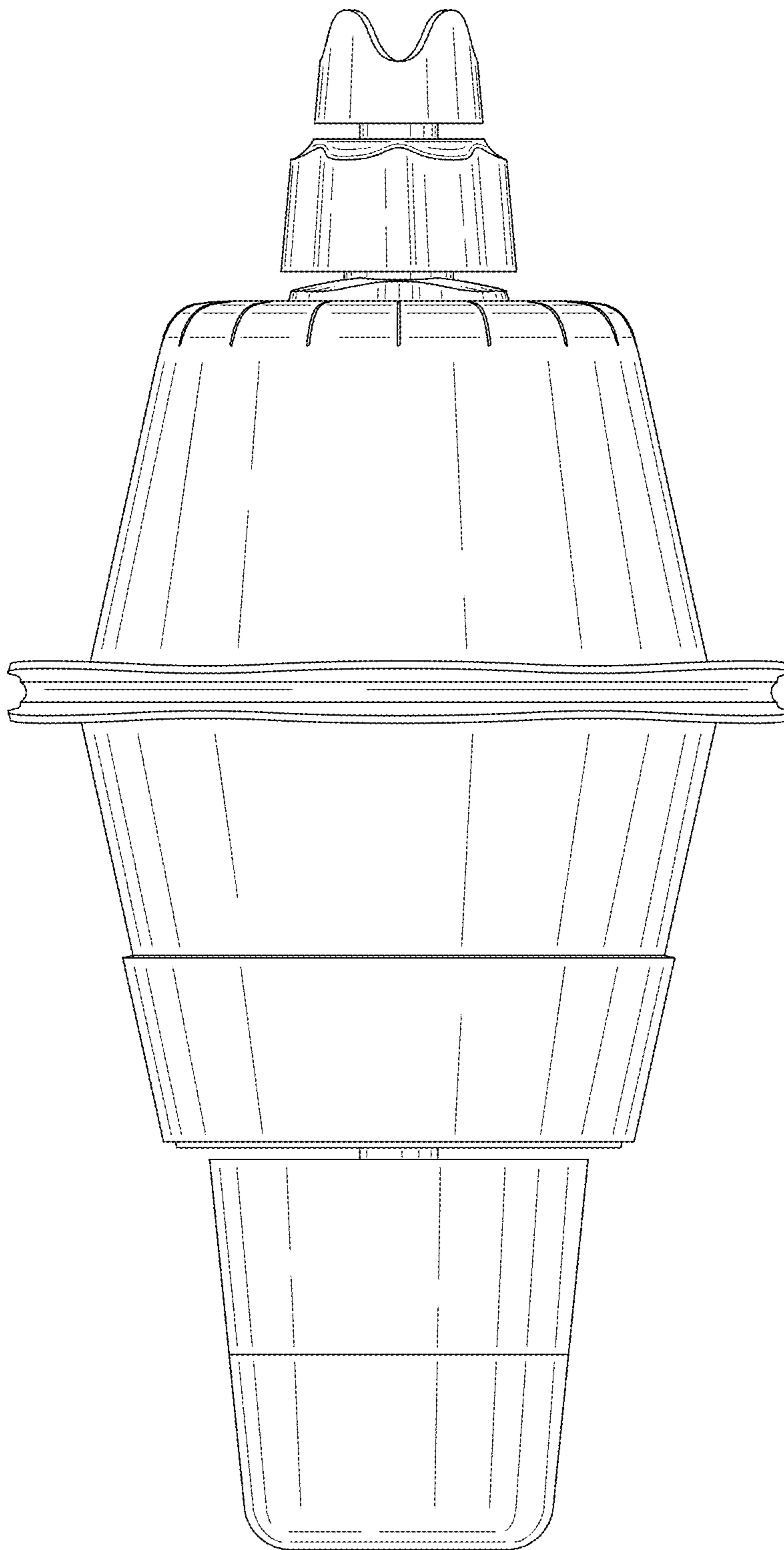


Fig. 5

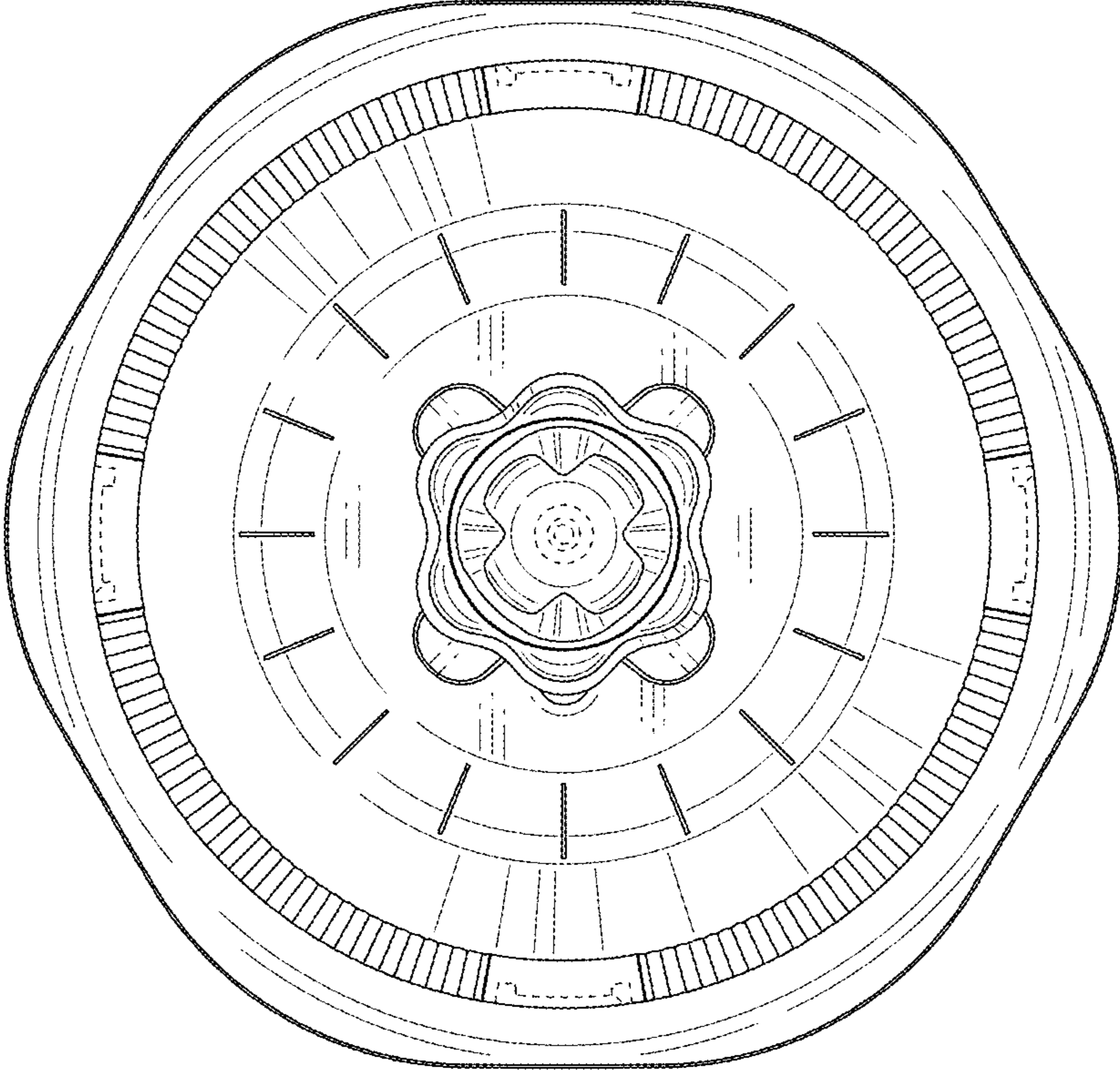


Fig. 6

