



US00D820900S

(12) **United States Design Patent**
LeRay

(10) **Patent No.:** **US D820,900 S**
(45) **Date of Patent:** **** Jun. 19, 2018**

- (54) **MONOPOD**
- (71) Applicant: **MLB Advanced Media, L.P.**, New York, NY (US)
- (72) Inventor: **Andrew LeRay**, New York, NY (US)
- (73) Assignee: **MLB Advanced Media, L.P.**, New York, NY (US)
- (**) Term: **15 Years**
- (21) Appl. No.: **29/532,836**
- (22) Filed: **Jul. 10, 2015**
- (51) **LOC (11) Cl.** **16-05**
- (52) **U.S. Cl.**
USPC **D16/244; D21/725**
- (58) **Field of Classification Search**
USPC D16/237, 242–245, 202, 203, 241, 207, D16/200, 230–232; D8/354, 355, 363; 396/419, 420, 428; D12/114, 223; D21/725
CPC F16M 11/14; F16M 11/041; F16M 11/04; F16M 11/2078; F16M 11/28; F16M 11/2021; F16M 11/12; F16M 11/10; F16M 2200/022; F16M 2200/027; F16M 13/00; F16M 13/02; F16M 13/022; G03B 17/561; G03B 17/566; G03B 17/563; G03B 2215/056; B60R 2011/0059; B60R 2011/008; B60R 11/02
See application file for complete search history.

6,007,259 A * 12/1999 Mori G03B 17/561
248/168
D539,977 S * 4/2007 Wen D21/725
D571,185 S * 6/2008 Phillips D8/331
7,706,673 B1 * 4/2010 Staudinger F16M 11/06
348/211.2
D656,209 S * 3/2012 Bonds D21/725
9,170,473 B1 * 10/2015 Li G03B 17/561

* cited by examiner

Primary Examiner — Susan Bennett Hattan
Assistant Examiner — Brett Miller
(74) *Attorney, Agent, or Firm* — Foley & Lardner LLP

(57) **CLAIM**

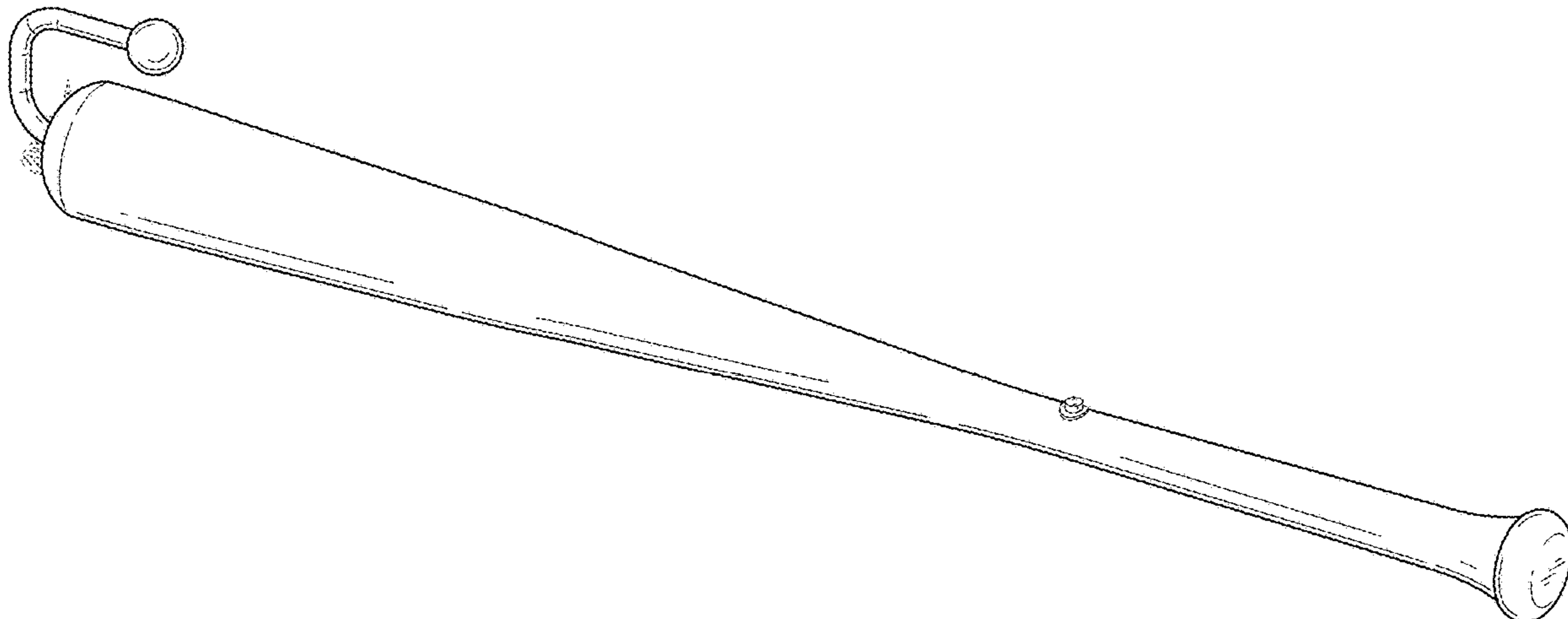
I claim the ornamental design for a monopod, as shown and described.

DESCRIPTION

FIG. 1 is a front perspective view of an embodiment of the claimed design;
FIG. 2 is a front elevation view thereof;
FIG. 3 is a rear elevation thereof;
FIG. 4 is a left side elevation view thereof;
FIG. 5 is a right side elevation view thereof;
FIG. 6 is a bottom plan view thereof;
FIG. 7 is a top plan view thereof; and,
FIG. 8 is another front perspective view of the embodiment of FIG. 1.
The broken lines depict environment and form no part of the claimed design.

1 Claim, 5 Drawing Sheets

- (56) **References Cited**
U.S. PATENT DOCUMENTS
D257,259 S * 10/1980 Shiraishi D16/244
5,768,645 A * 6/1998 Kessler G03B 17/38
396/376



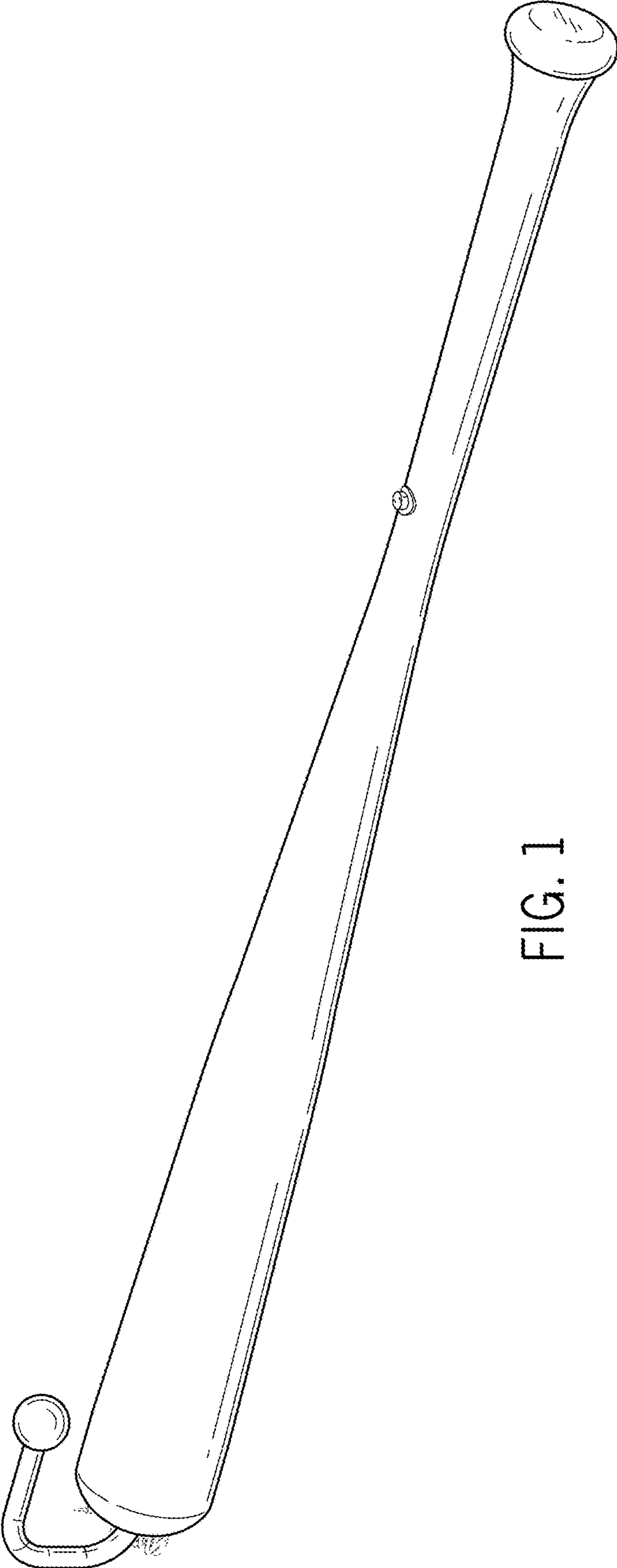


FIG. 1

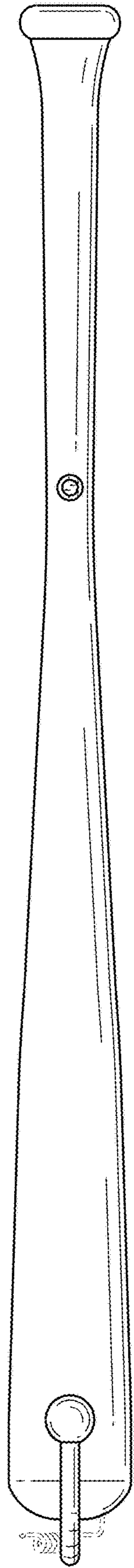


FIG. 2

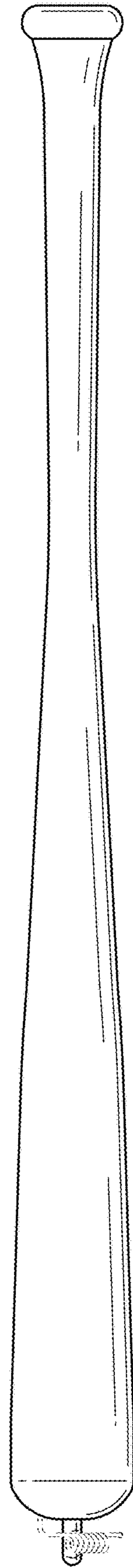


FIG. 3

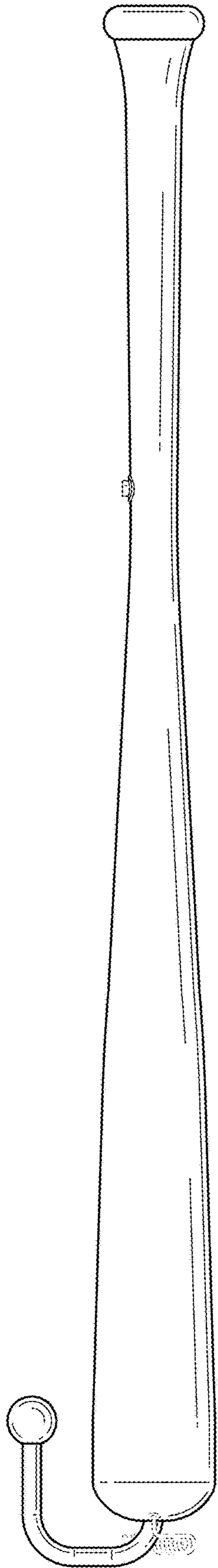


FIG. 4

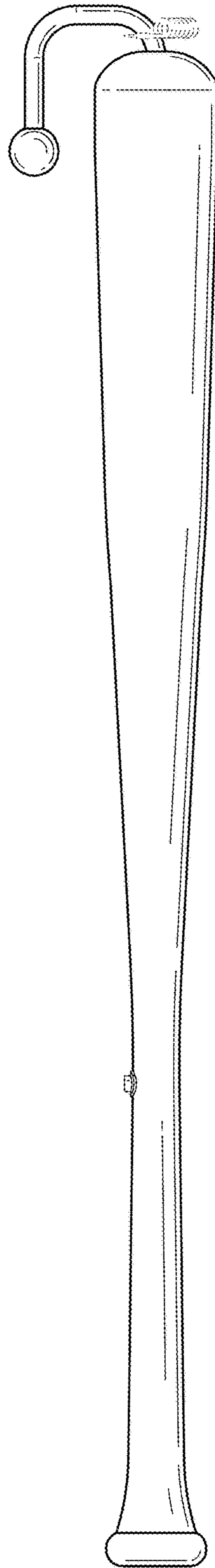


FIG. 5

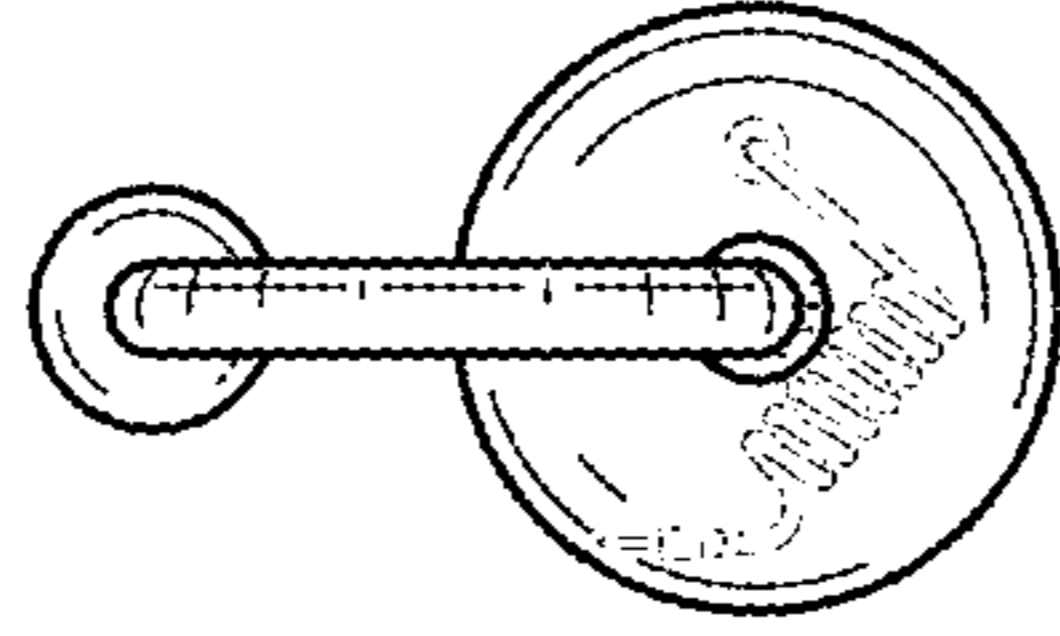


FIG. 7

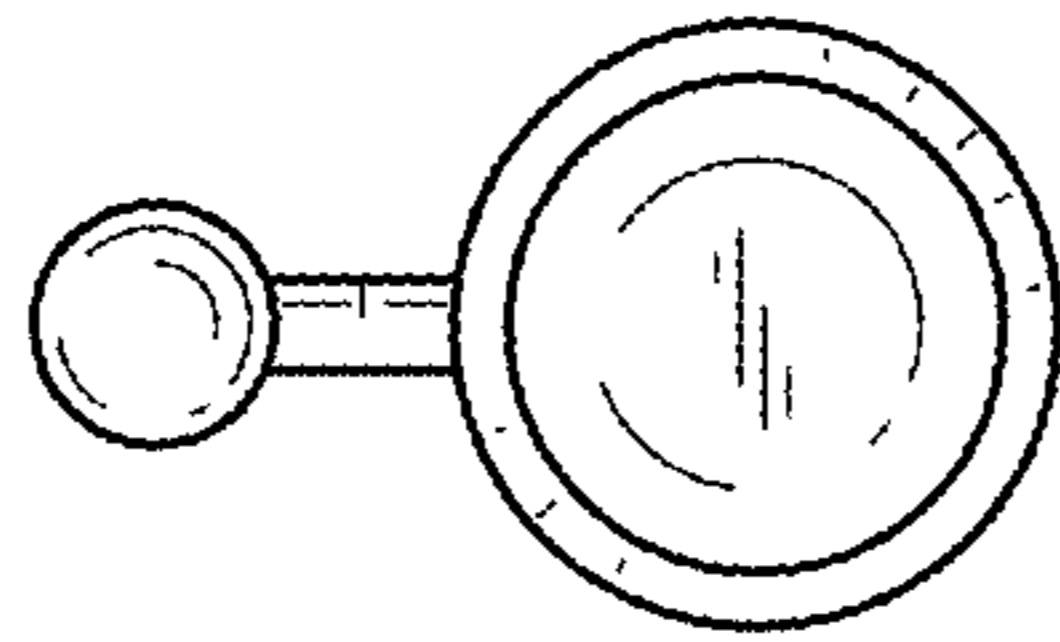


FIG. 6

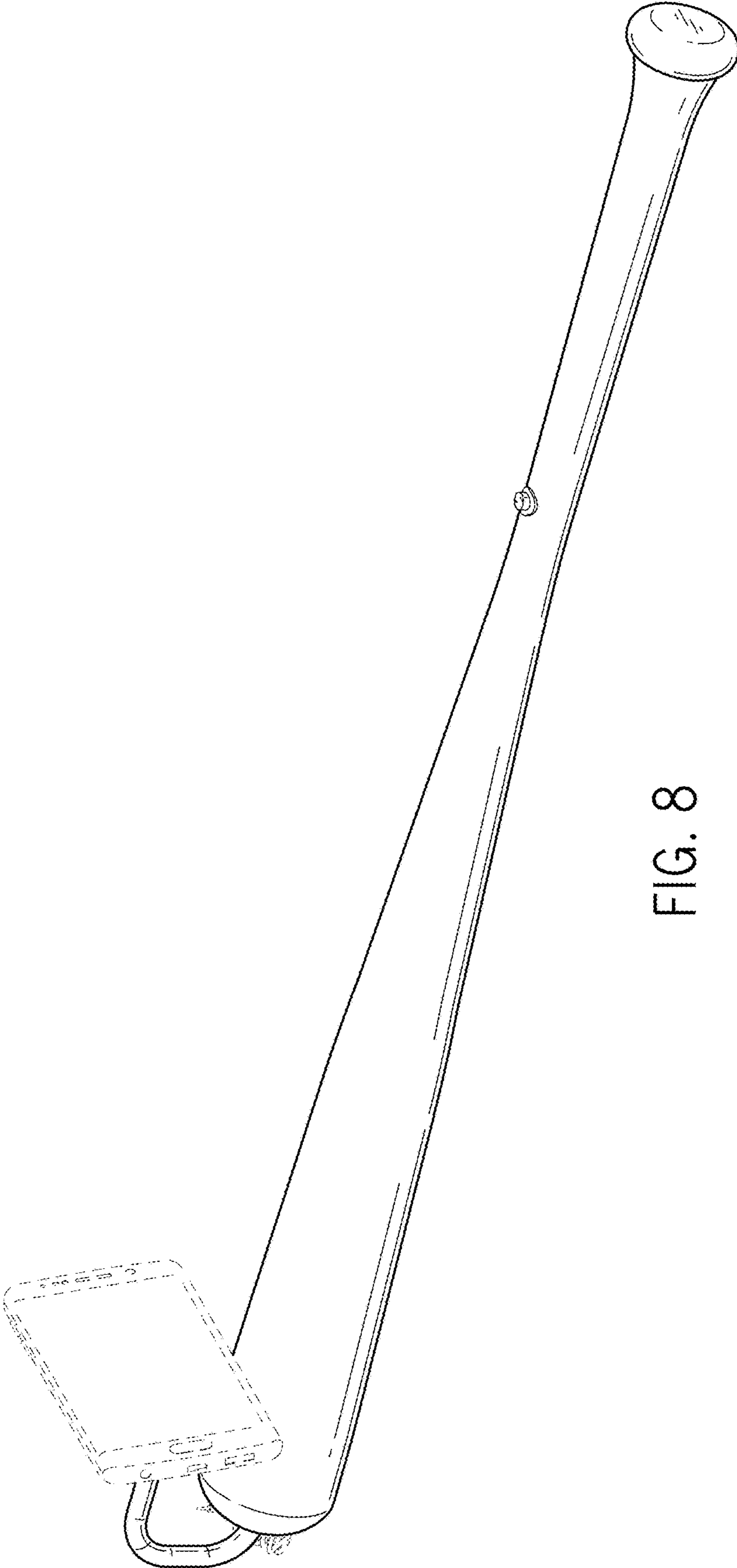


FIG. 8