



US00D820898S

(12) **United States Design Patent**
Fujita et al.

(10) **Patent No.:** **US D820,898 S**
(45) **Date of Patent:** **** Jun. 19, 2018**

(54) **DIGITAL CAMERA**

(71) Applicant: **Nikon Corporation**, Tokyo (JP)

(72) Inventors: **Chikara Fujita**, Tokyo (JP); **Hiroyuki Asano**, Tokyo (JP)

(73) Assignee: **Nikon Corporation**, Tokyo (JP)

(**) Term: **15 Years**

(21) Appl. No.: **29/569,142**

(22) Filed: **Jun. 23, 2016**

(30) **Foreign Application Priority Data**

Dec. 25, 2015 (JP) 2015-029004
Dec. 25, 2015 (JP) 2015-029005
Dec. 25, 2015 (JP) 2015-029006

(51) **LOC (11) Cl.** **16-01**

(52) **U.S. Cl.**
USPC **D16/218**

(58) **Field of Classification Search**
USPC D16/200, 202–206, 208, 218, 219;
348/373–376; 396/535, 539–541
CPC G03B 15/03; G03B 17/02; G03B 17/04;
G03B 17/56; G03B 19/04; H04N 5/2251;
H04N 5/2252; H04N 5/2253; H04N
5/2254; H04N 2101/00
See application file for complete search history.

(56) **References Cited**

U.S. PATENT DOCUMENTS

D113,220 S 2/1939 Crurmine
D441,386 S 5/2001 Yamazaki
D480,741 S 10/2003 Berger et al.
6,718,129 B1 4/2004 Cornell
6,788,887 B2* 9/2004 Takeshita G03B 17/06
396/286
D504,904 S 5/2005 Nagai

D524,837 S 7/2006 Chen et al.
D551,275 S 9/2007 Kim
D594,047 S 6/2009 Lee

(Continued)

FOREIGN PATENT DOCUMENTS

JP 1088744 10/2000
JP 1088745 10/2000

(Continued)

OTHER PUBLICATIONS

[No Author Listed]. “Hands-On With Bublcam’s Spherical Video Camera.” Posted Aug. 26, 2014. AOL Inc. Accessed online: <http://techcrunch.com/2014/08/26/hands-on-with-bublecams-spherical-video-camera>. Last accessed: Jun. 14, 2016, pp. 1-6.

(Continued)

Primary Examiner — Philip S Hyder
Assistant Examiner — Ramzi Almatrahi

(74) *Attorney, Agent, or Firm* — Wolf, Greenfield & Sacks, P.C.

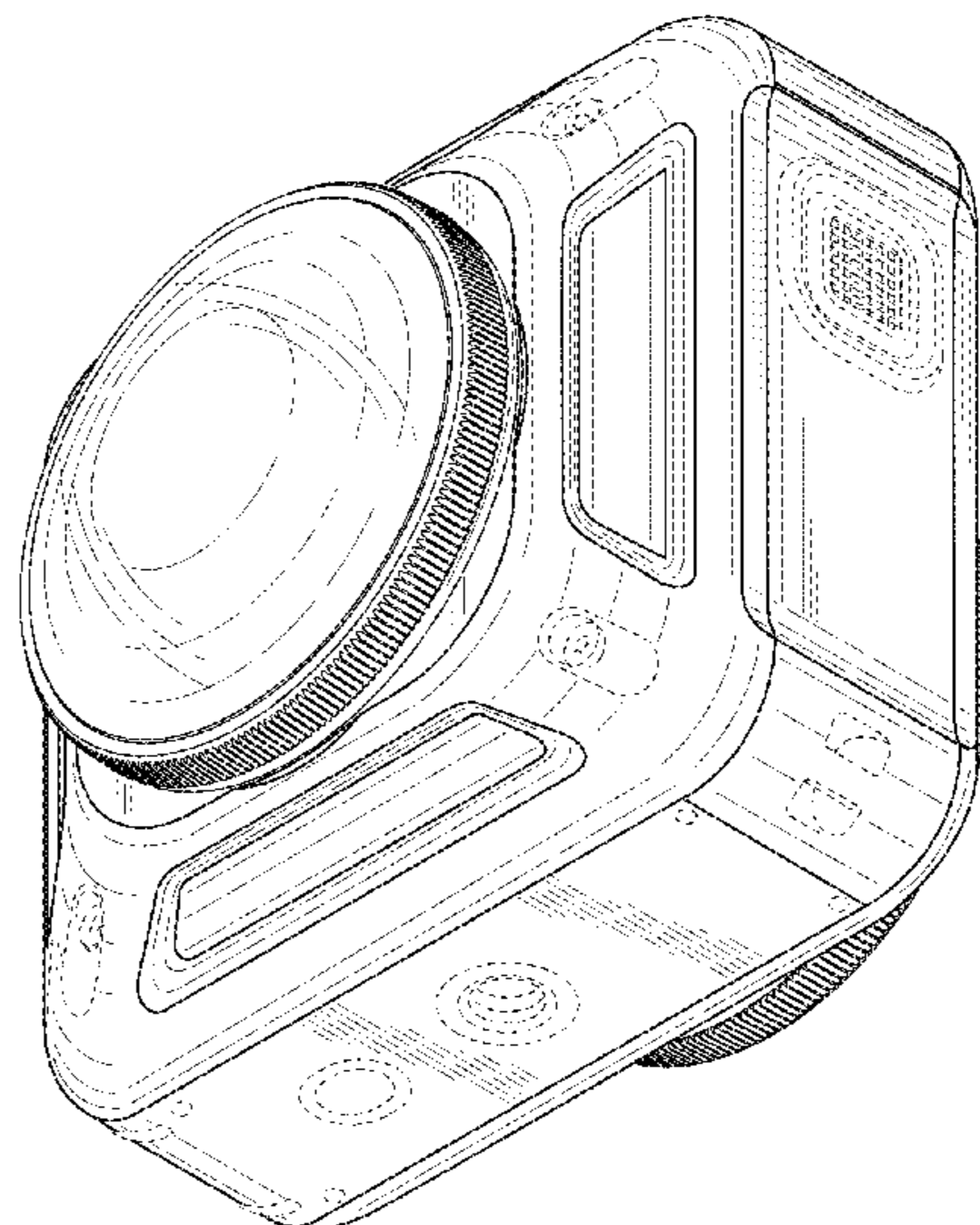
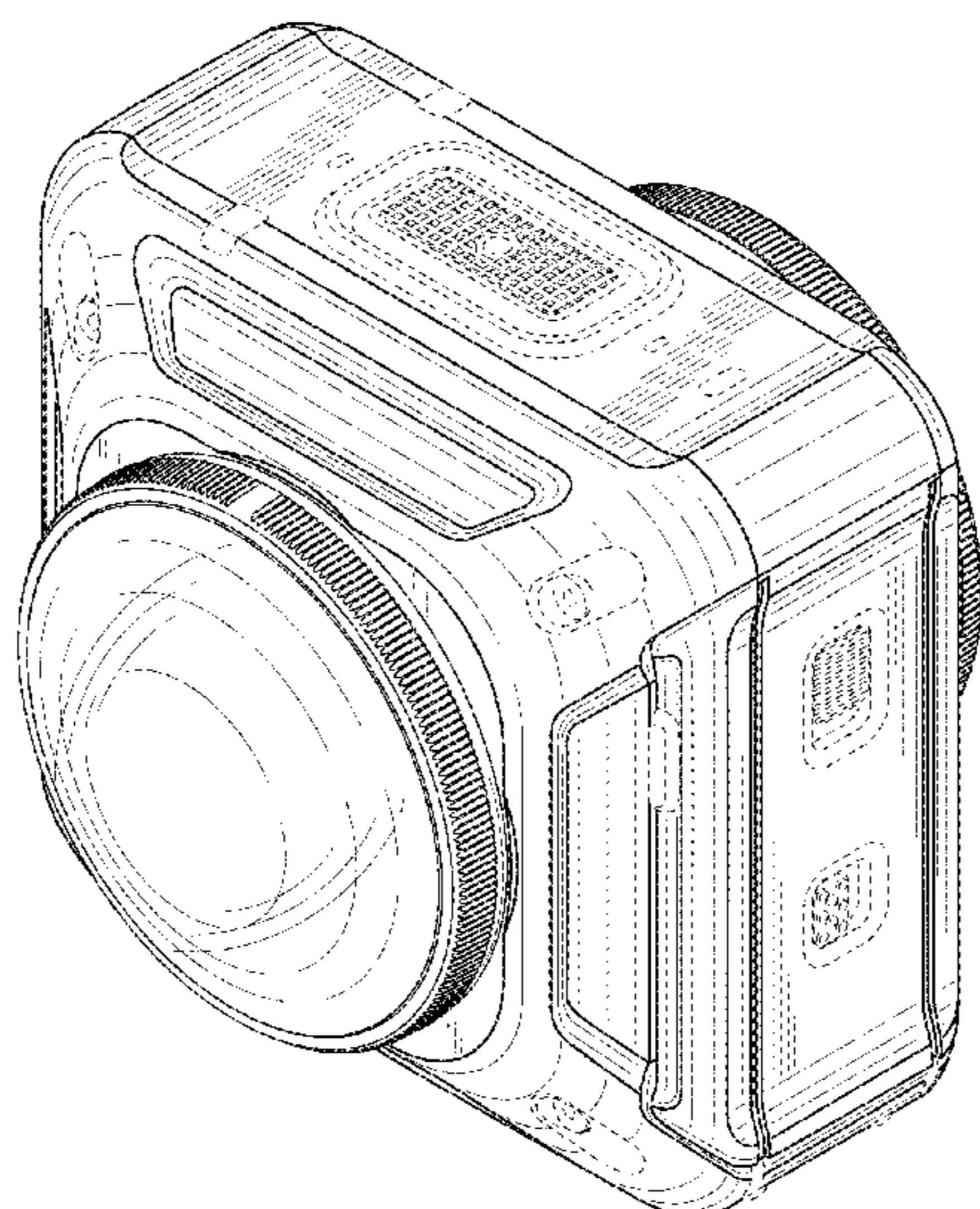
(57) **CLAIM**

The ornamental design for a digital camera, as shown and described.

DESCRIPTION

FIG. 1 is a front, top and right side perspective view of a digital camera showing our new design;
FIG. 2 is a rear, bottom and left side perspective view thereof;
FIG. 3 is a front elevational view thereof;
FIG. 4 is a rear elevational view thereof;
FIG. 5 is a top plan view thereof;
FIG. 6 is a bottom plan view thereof;
FIG. 7 is a right side elevational view thereof; and,
FIG. 8 is a left side elevational view thereof.
The broken lines illustrate portions of the digital camera and form no part of the claimed design.

1 Claim, 8 Drawing Sheets



(56)

References Cited

OTHER PUBLICATIONS

U.S. PATENT DOCUMENTS

D614,223 S 4/2010 Kim et al.
D616,480 S 5/2010 Ookawa et al.
D721,395 S * 1/2015 Woodman D16/218
D725,169 S * 3/2015 Gioscia D16/200
D733,784 S 7/2015 Yamashita
D737,356 S 8/2015 Tabuchi
D744,572 S 12/2015 Tabuchi
D750,686 S * 3/2016 Chen D16/218
9,282,226 B2 * 3/2016 Samuels G03B 17/02
D754,767 S 4/2016 Sandy
D754,768 S 4/2016 Patulski et al.
D755,270 S * 5/2016 Vehlewald D16/202
D760,309 S * 6/2016 Parfitt; Ben D16/202
D769,346 S * 10/2016 Nguyen D16/218
D773,546 S * 12/2016 Nguyen D16/218
D777,232 S * 1/2017 Lillquist D16/202

FOREIGN PATENT DOCUMENTS

JP 1088746 10/2000
JP 1480863 10/2013
JP 1496295 5/2014

[No Author Listed]. "Exclusive sales of Kodak brand camera in Japan—Release of '360-degree action camera'." Posted Oct. 23, 2014. Maspro Denkoh Corp. Accessed online: http://www.maspro.co.jp/new_prod/sp360/index.html. Last accessed: Jun. 14, 2016, pp. 1-5.

[No Author Listed]. "New release super-wide angle video camera, QBiC MS-1 of Elmo Co., Ltd." Posted Feb. 12, 2014. AOL Online Japan, Ltd. Accessed online: <http://japanese.engadget.com/2014/02/12/qbic-ms-1>. Last accessed: Jun. 14, 2016, pp. 1-7.

Notice of Allowance for U.S. Appl. No. 29/569,139, mailed Feb. 28, 2017.

Office Action for U.S. Appl. No. 29/610,813, dated Jan. 11, 2018.

* cited by examiner

FIG. 1

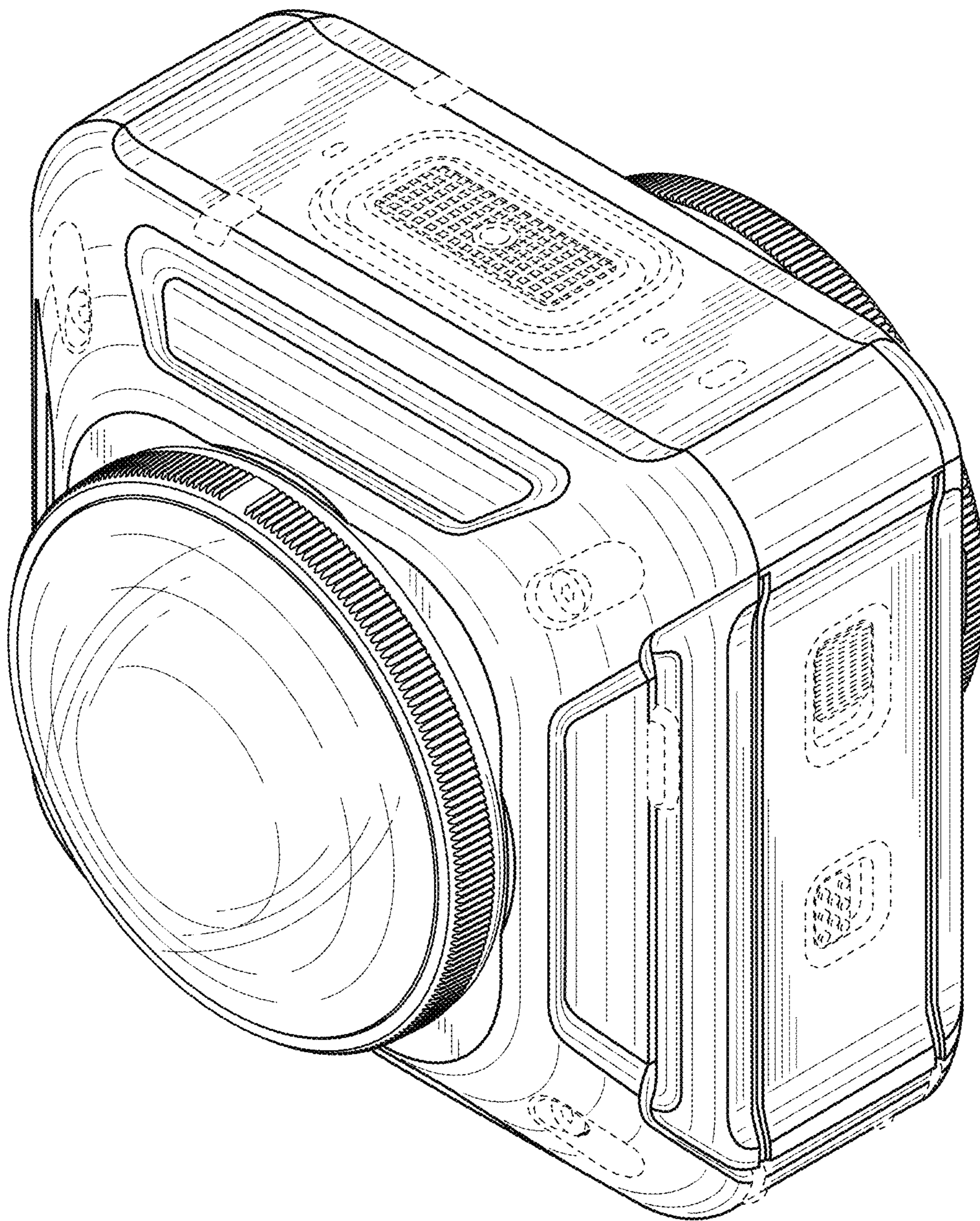


FIG. 2

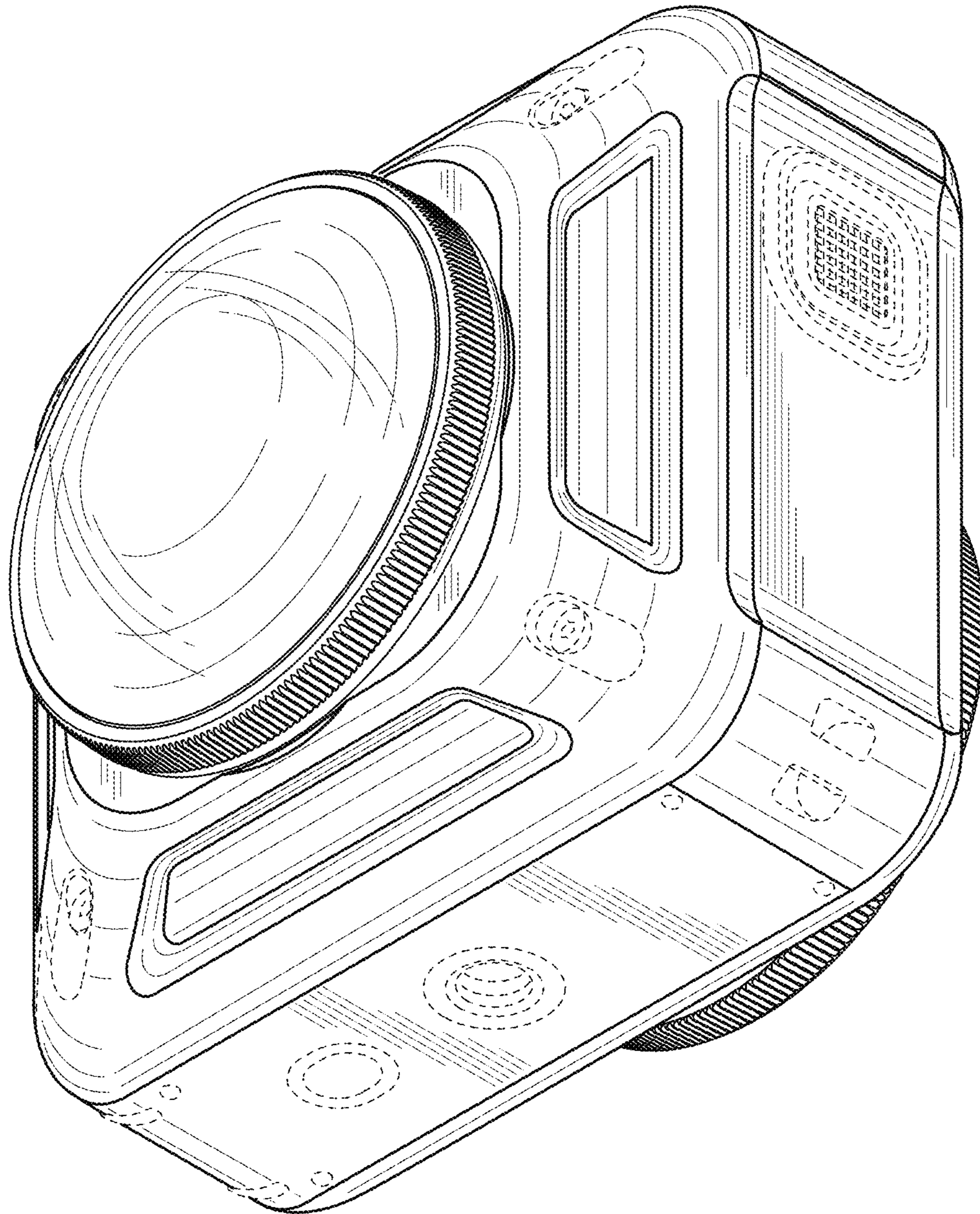


FIG. 3

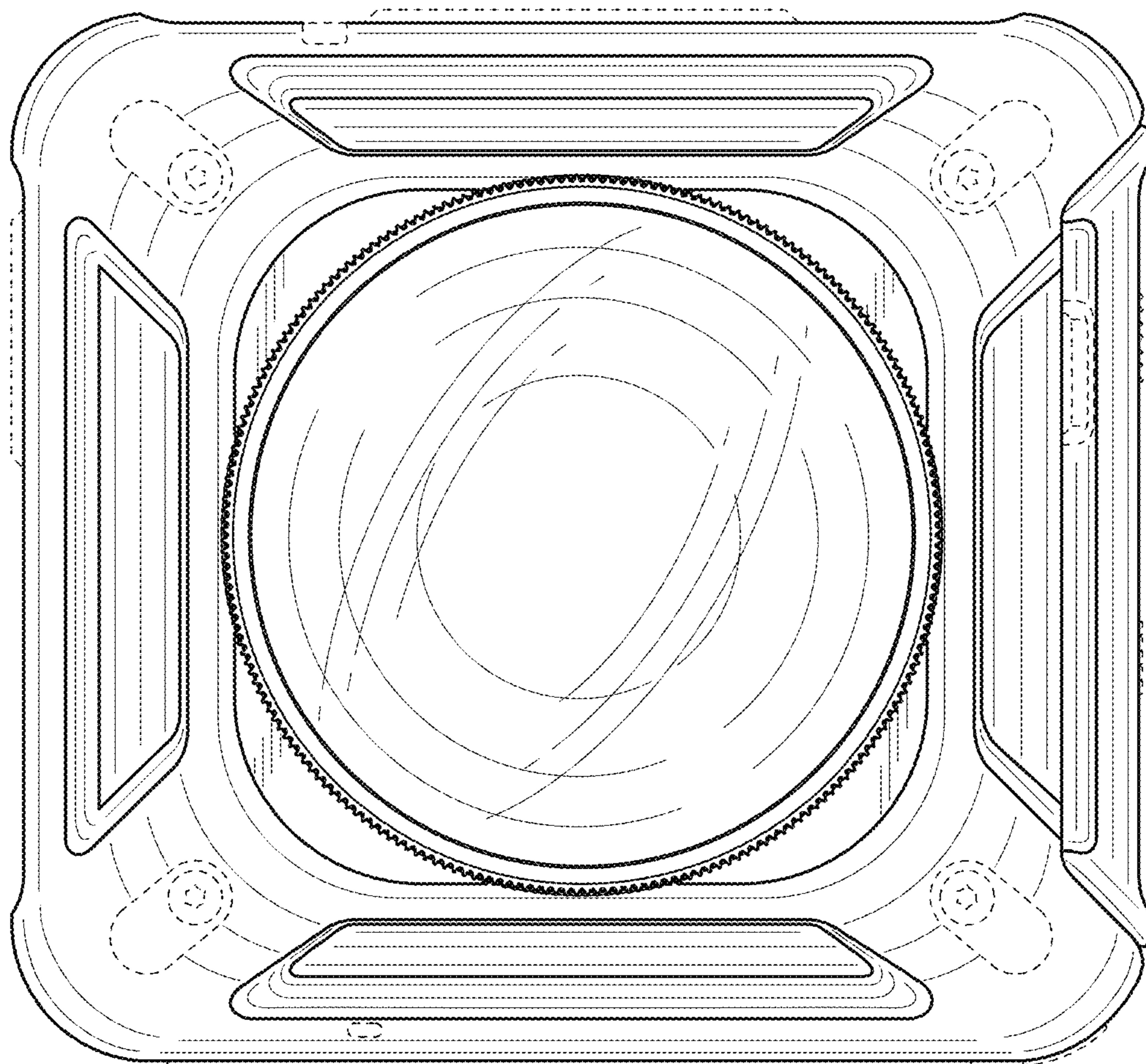


FIG. 4

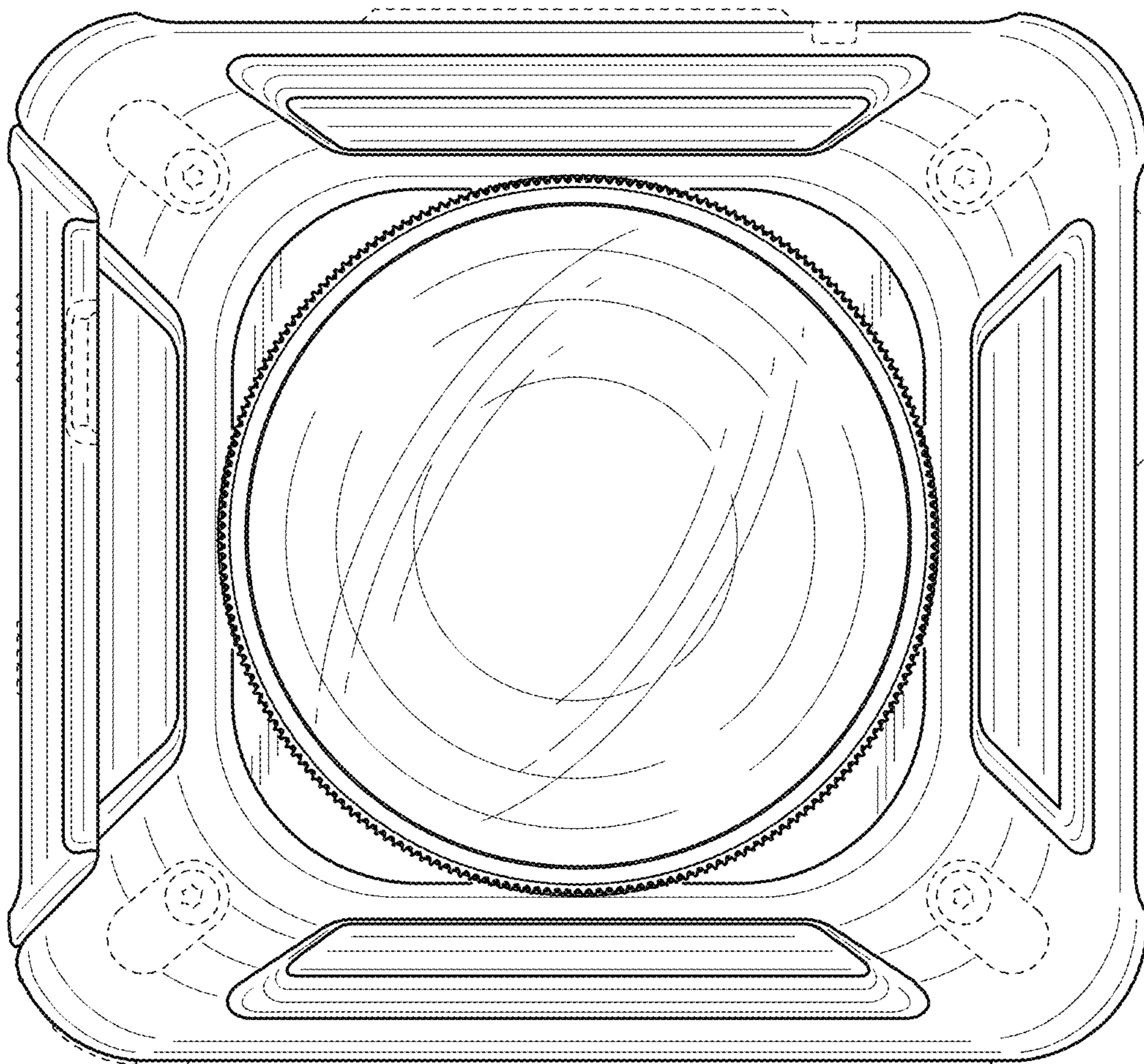


FIG. 5

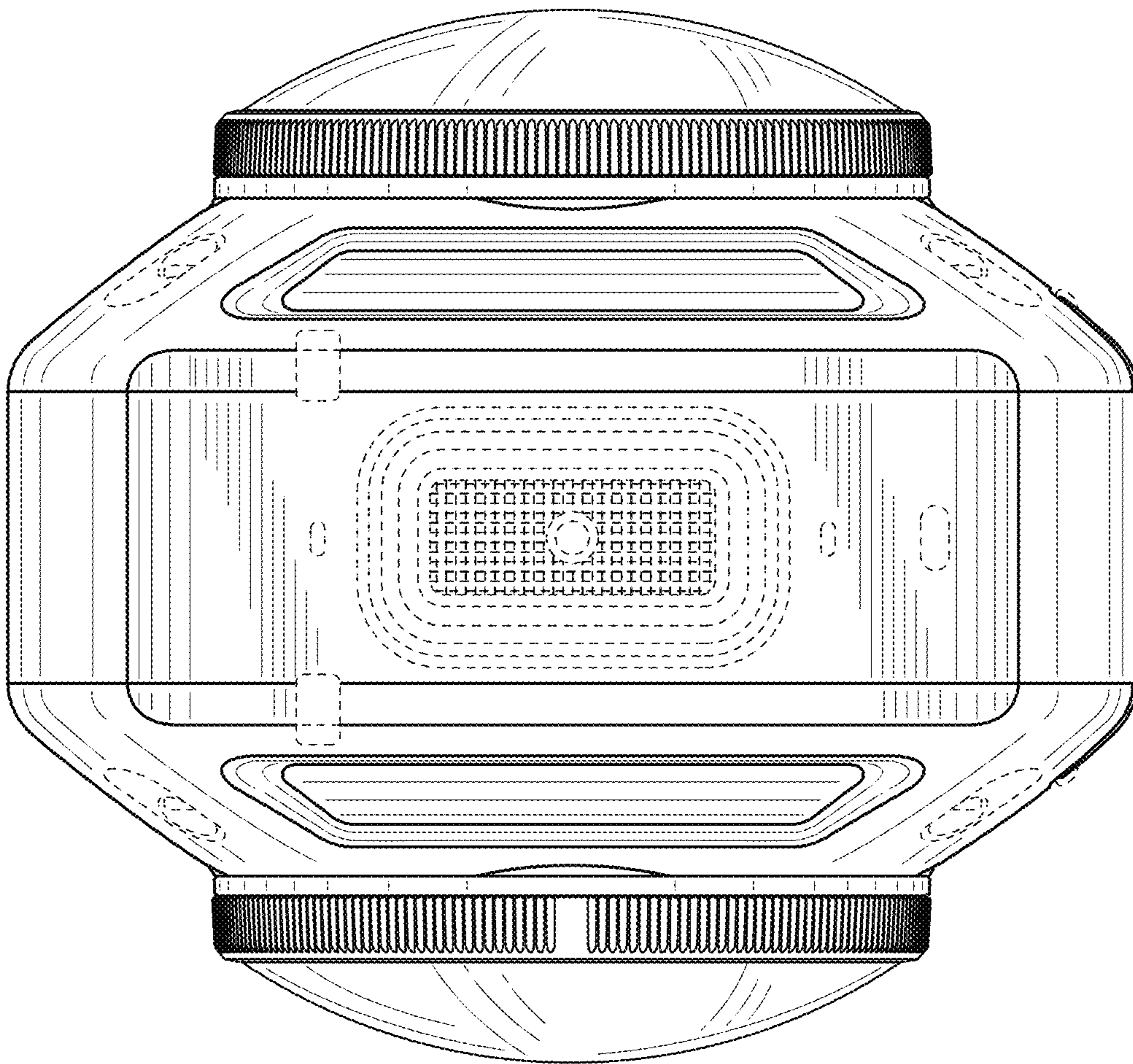


FIG. 6

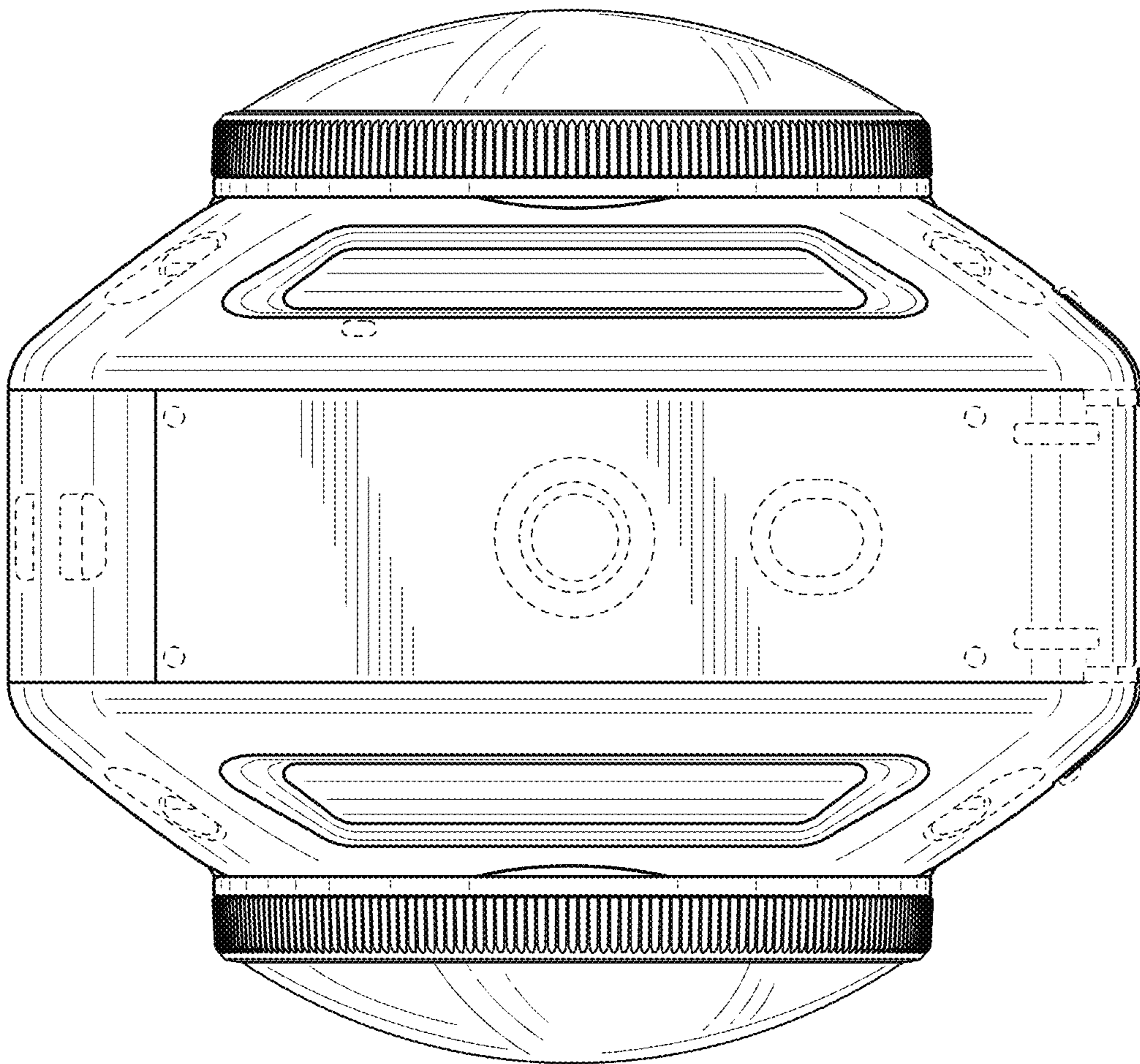


FIG. 7

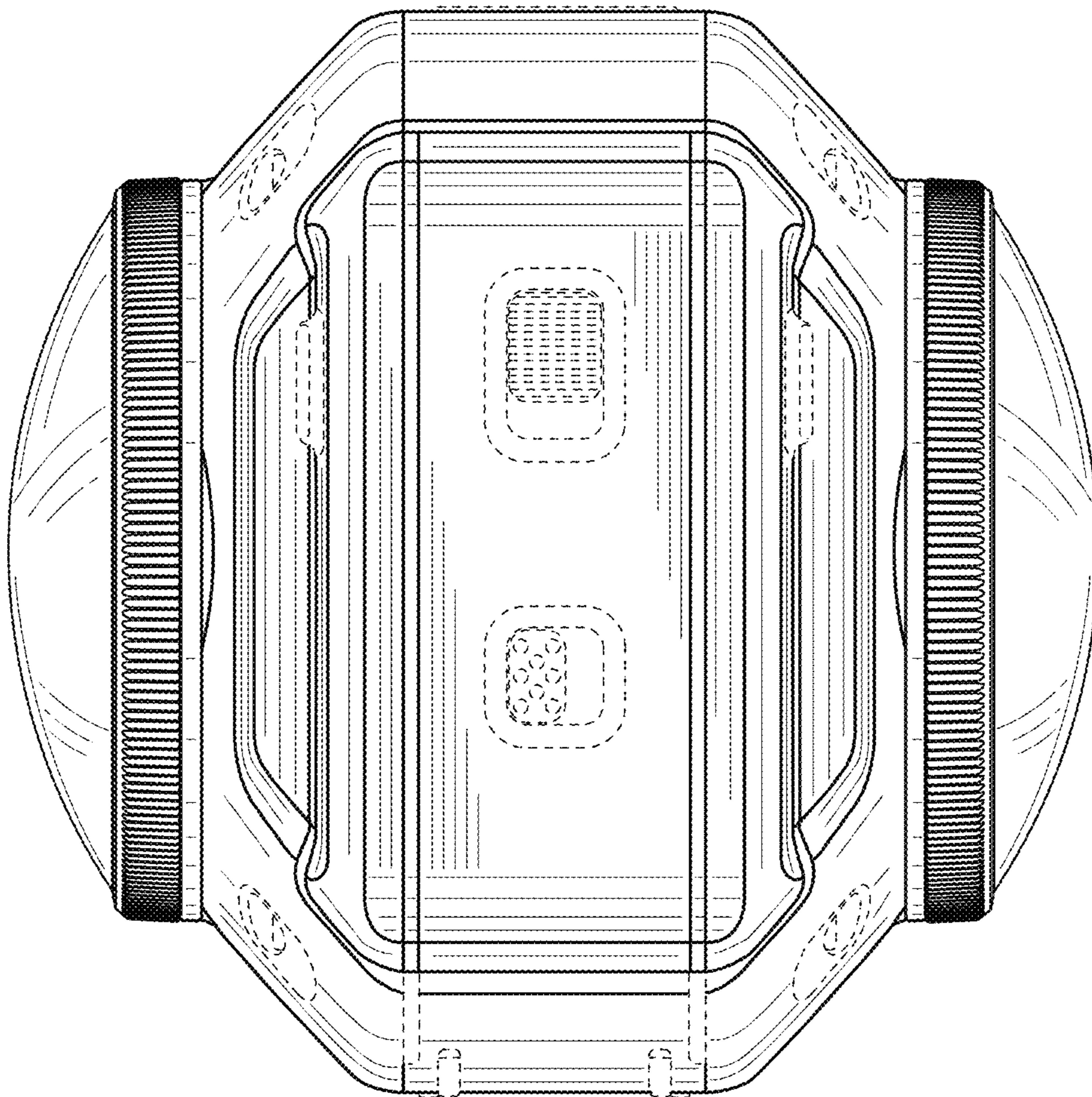


FIG. 8

