



US00D820897S

(12) **United States Design Patent**  
**Rusz et al.**

(10) **Patent No.:** **US D820,897 S**  
(45) **Date of Patent:** **\*\* Jun. 19, 2018**

- (54) **SURVEILLANCE CAMERA**
- (71) Applicant: **AXIS AB**, Lund (SE)
- (72) Inventors: **Agnes Rusz**, Malmö (SE); **Daniel Åhman**, Lomma (SE); **Morten Bergström**, Bjärred (SE); **Mathias Walter**, Arlöv (SE)
- (73) Assignee: **AXIS AB**, Lund (SE)
- (\*\*) Term: **15 Years**
- (21) Appl. No.: **35/501,828**
- (22) Filed: **Apr. 29, 2016**
- (80) **Hague Agreement Data**  
Int. Filing Date: **Apr. 29, 2016**  
Int. Reg. No.: **DM/091789**  
Int. Reg. Date: **Apr. 29, 2016**  
Int. Reg. Pub. Date: **Nov. 4, 2016**
- (51) **LOC (11) Cl.** ..... **16-01**
- (52) **U.S. Cl.**  
USPC ..... **D16/203**
- (58) **Field of Classification Search**  
USPC ..... D16/200, 202–205, 208, 218, 219, 242  
CPC ..... G03B 17/02; G03B 17/04; G03B 17/56;  
G03B 19/04; G03B 15/03; H04N 5/2251;  
H04N 5/2252; H04N 5/2253; H04N  
5/2254  
See application file for complete search history.

- D678,246 S \* 3/2013 Davies ..... D14/204
- D685,015 S \* 6/2013 Wang ..... D16/202
- 8,587,715 B2 \* 11/2013 Takeda ..... H04N 13/0239  
348/231.4
- 8,593,567 B2 \* 11/2013 Xiao ..... H04N 5/2251  
348/373
- D705,337 S \* 5/2014 Tani ..... D16/219
- D711,451 S \* 8/2014 Katsuyama ..... D16/208
- D734,293 S \* 7/2015 Kim ..... D14/204
- D747,386 S \* 1/2016 Li ..... D16/208
- D781,263 S \* 3/2017 Tong ..... D14/204
- 2010/0123819 A1 \* 5/2010 Yu ..... H04N 5/2254  
348/360
- 2013/0107110 A1 \* 5/2013 Park ..... H04N 5/2252  
348/373

**FOREIGN PATENT DOCUMENTS**

TW D174531 3/2016

\* cited by examiner

*Primary Examiner* — Manpreet S Matharu  
*Assistant Examiner* — Holly E Thurman  
(74) *Attorney, Agent, or Firm* — Volpe and Koenig, P.C.

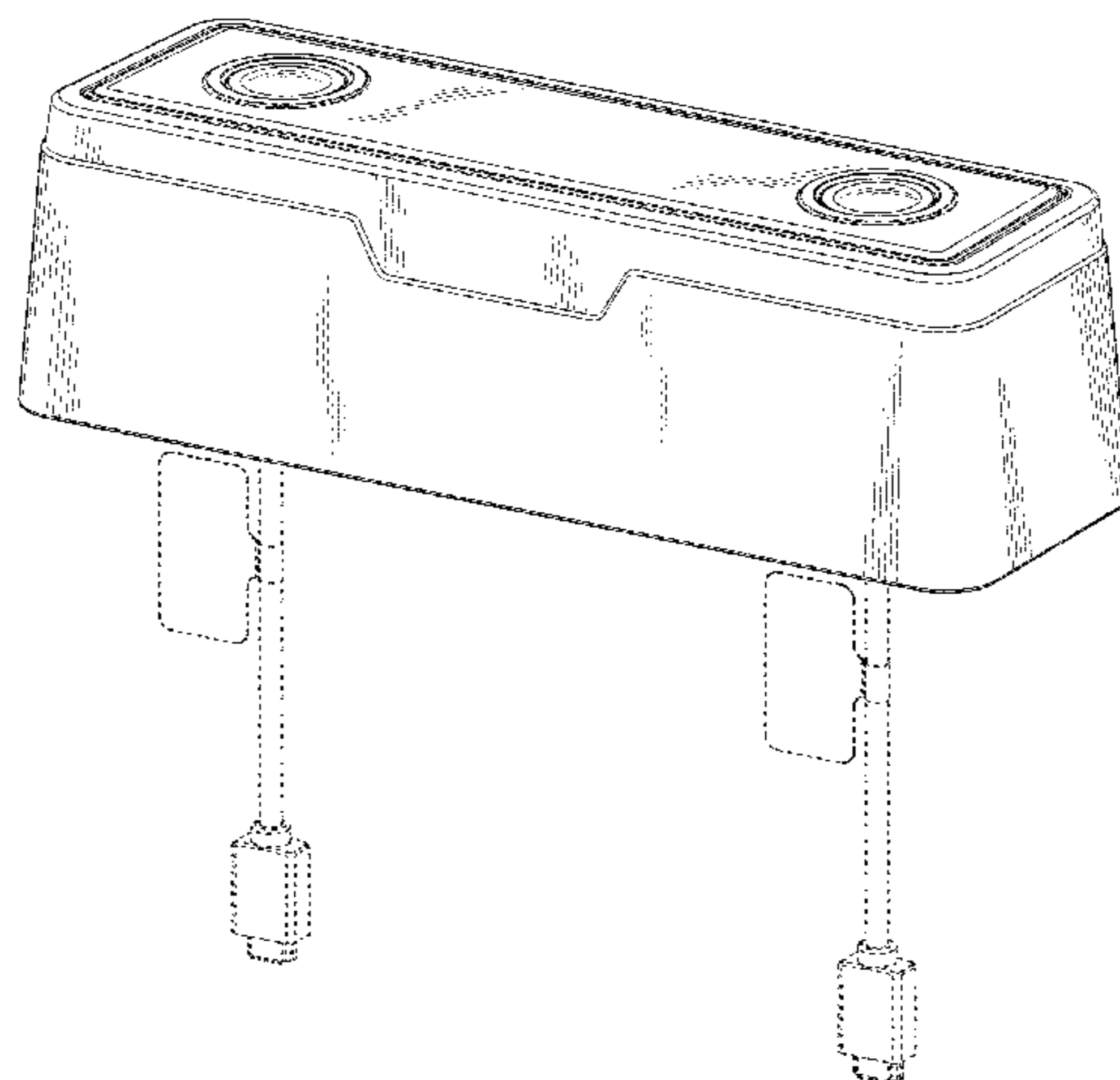
(57) **CLAIM**

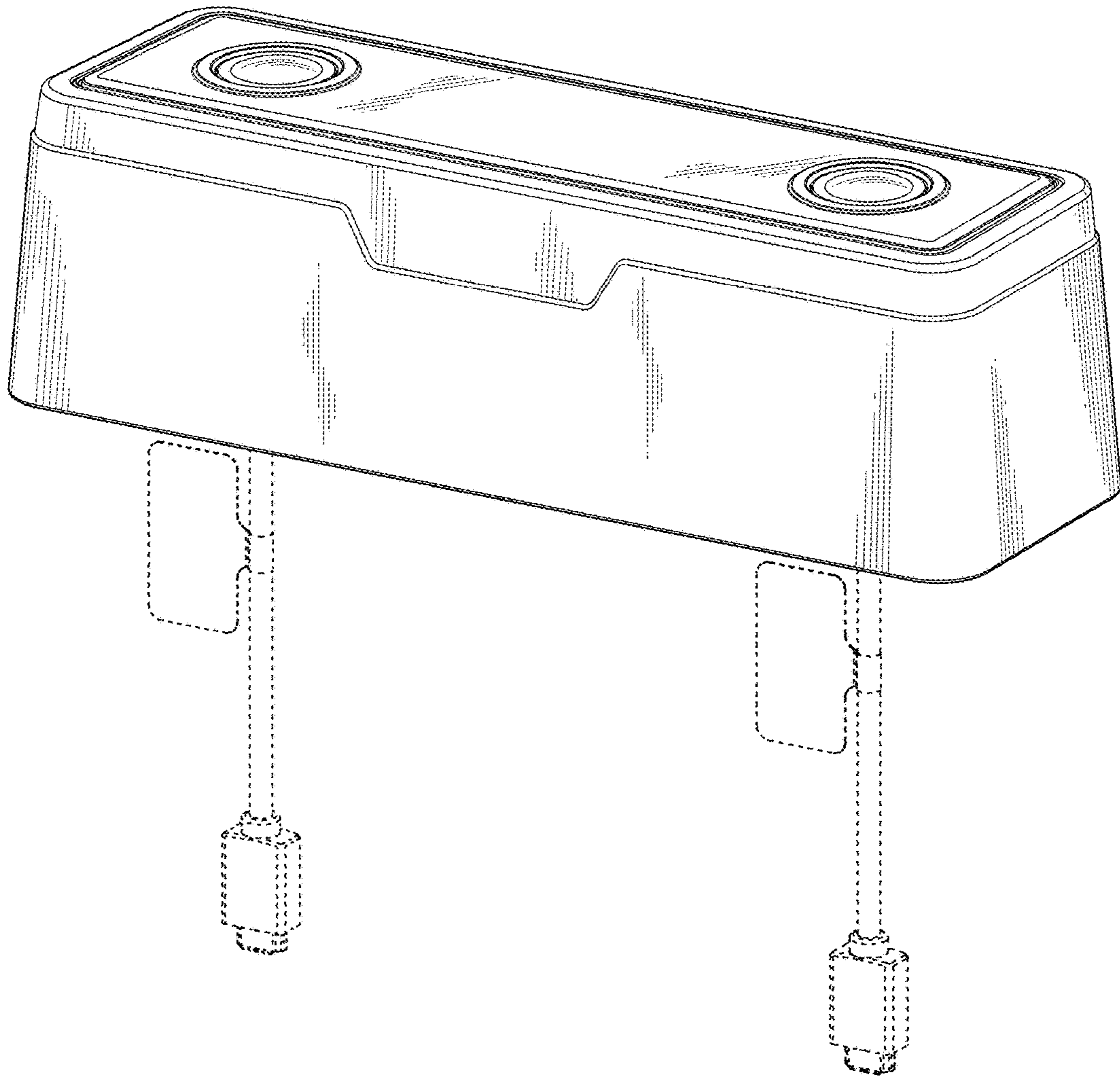
The ornamental design for a surveillance camera, as shown and described.

**DESCRIPTION**

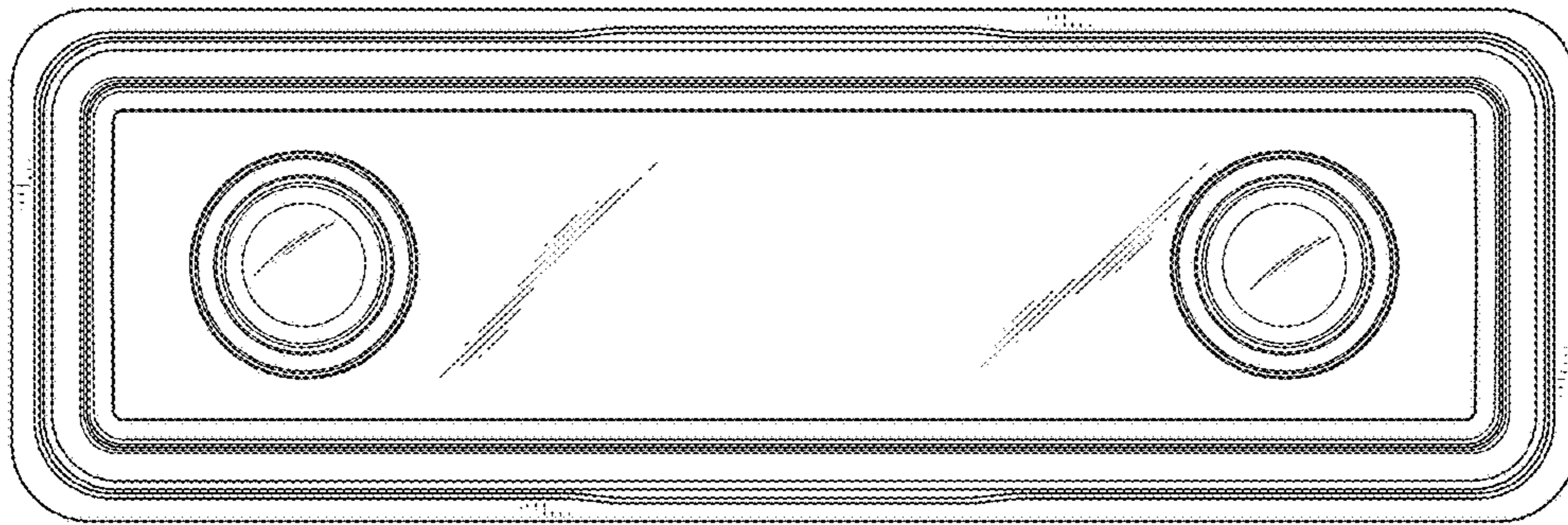
1. Surveillance camera  
**1.1** : A perspective view of a surveillance camera in accordance with our design;  
**1.2** : A top view thereof;  
**1.3** : A rear elevational view thereof;  
**1.4** : A right side elevational view thereof;  
**1.5** : A left side elevational view thereof;  
**1.6** : A front elevational view thereof; and  
**1.7** : A bottom view thereof.  
The broken lines depict portions of the surveillance camera in which the design is embodied that form no part of the claimed design.

**1 Claim, 4 Drawing Sheets**

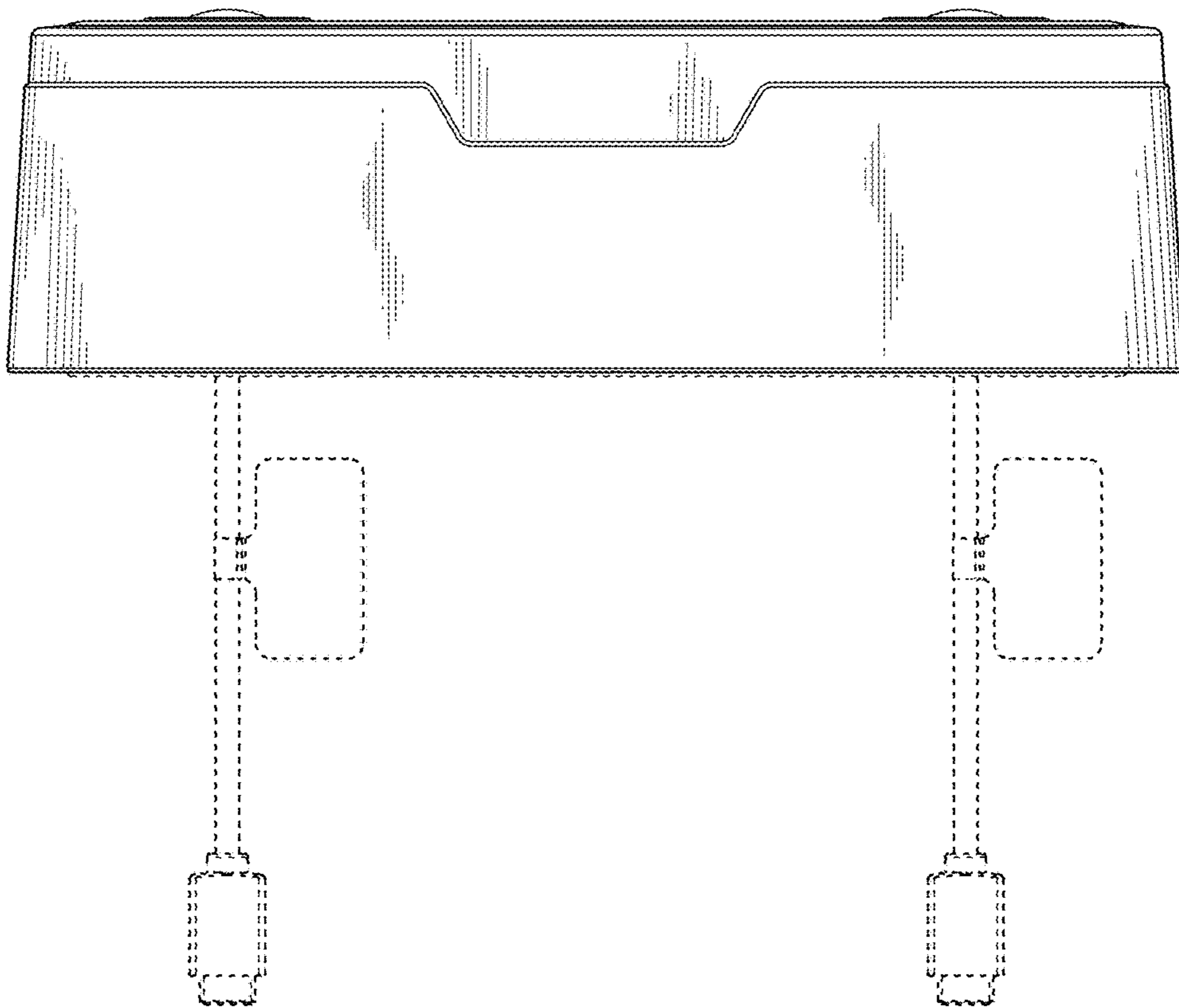




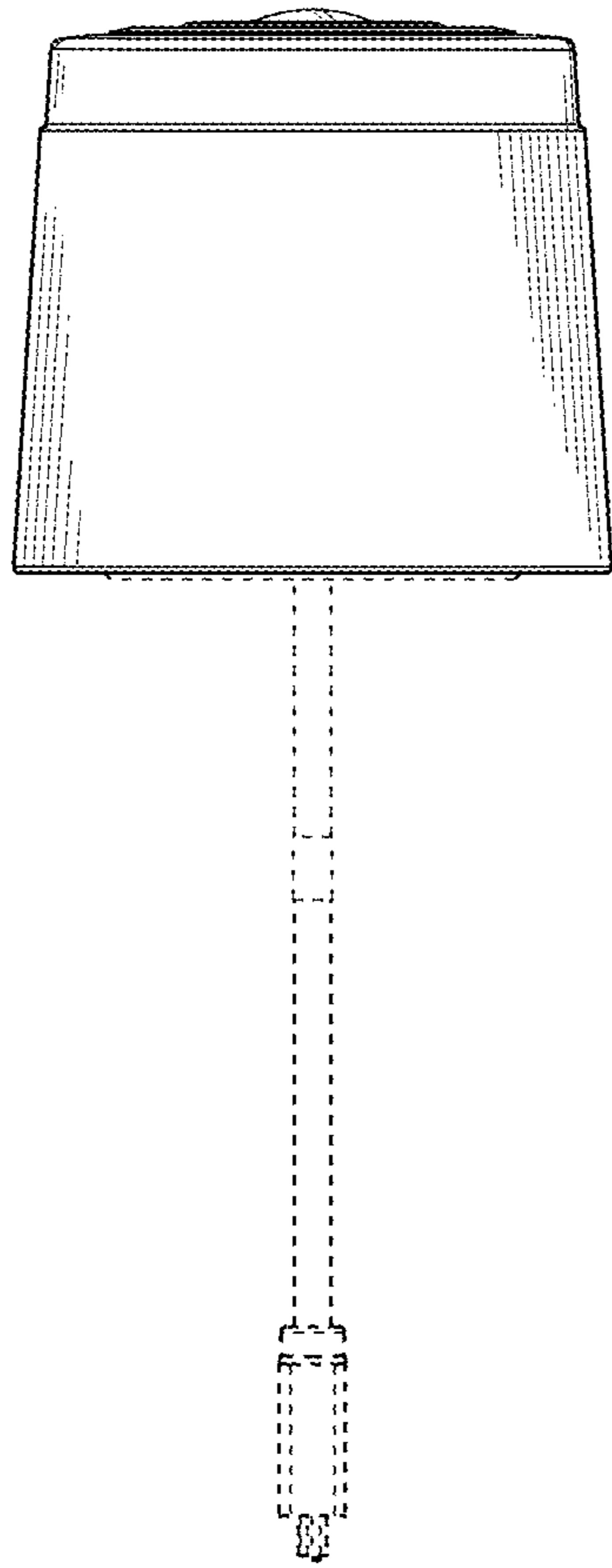
1.1



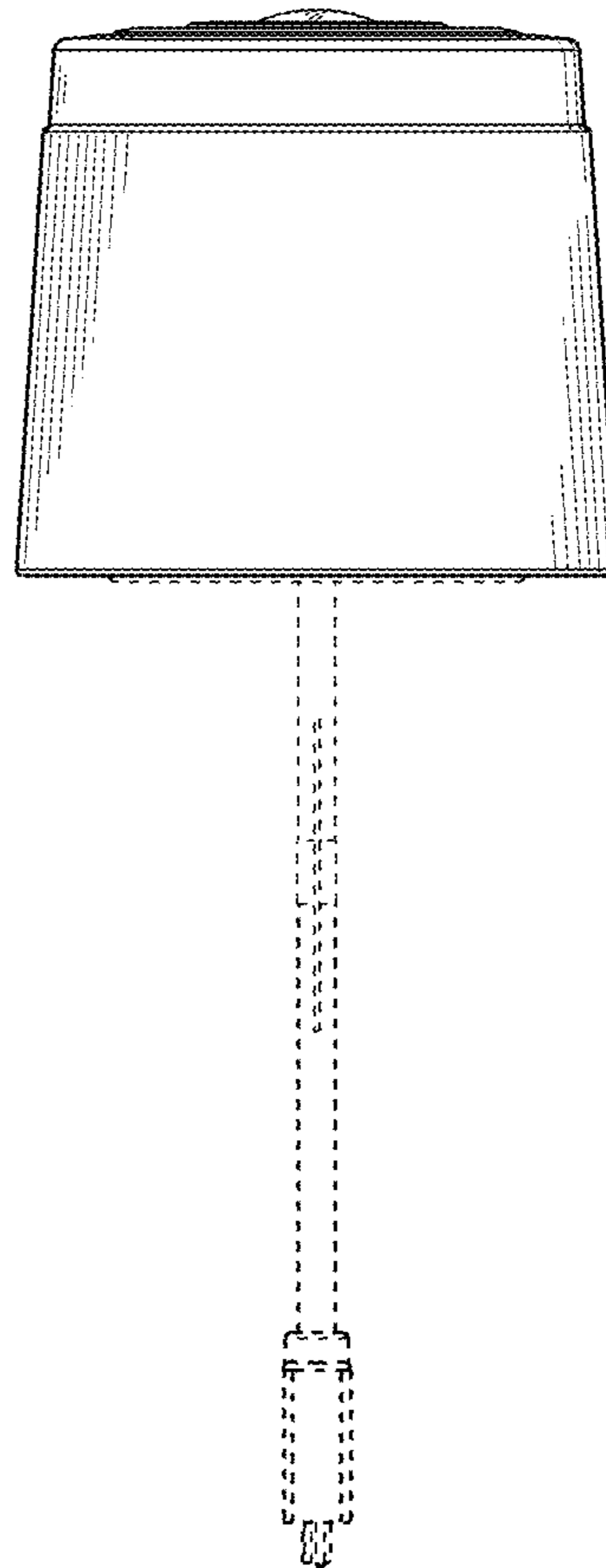
1.2



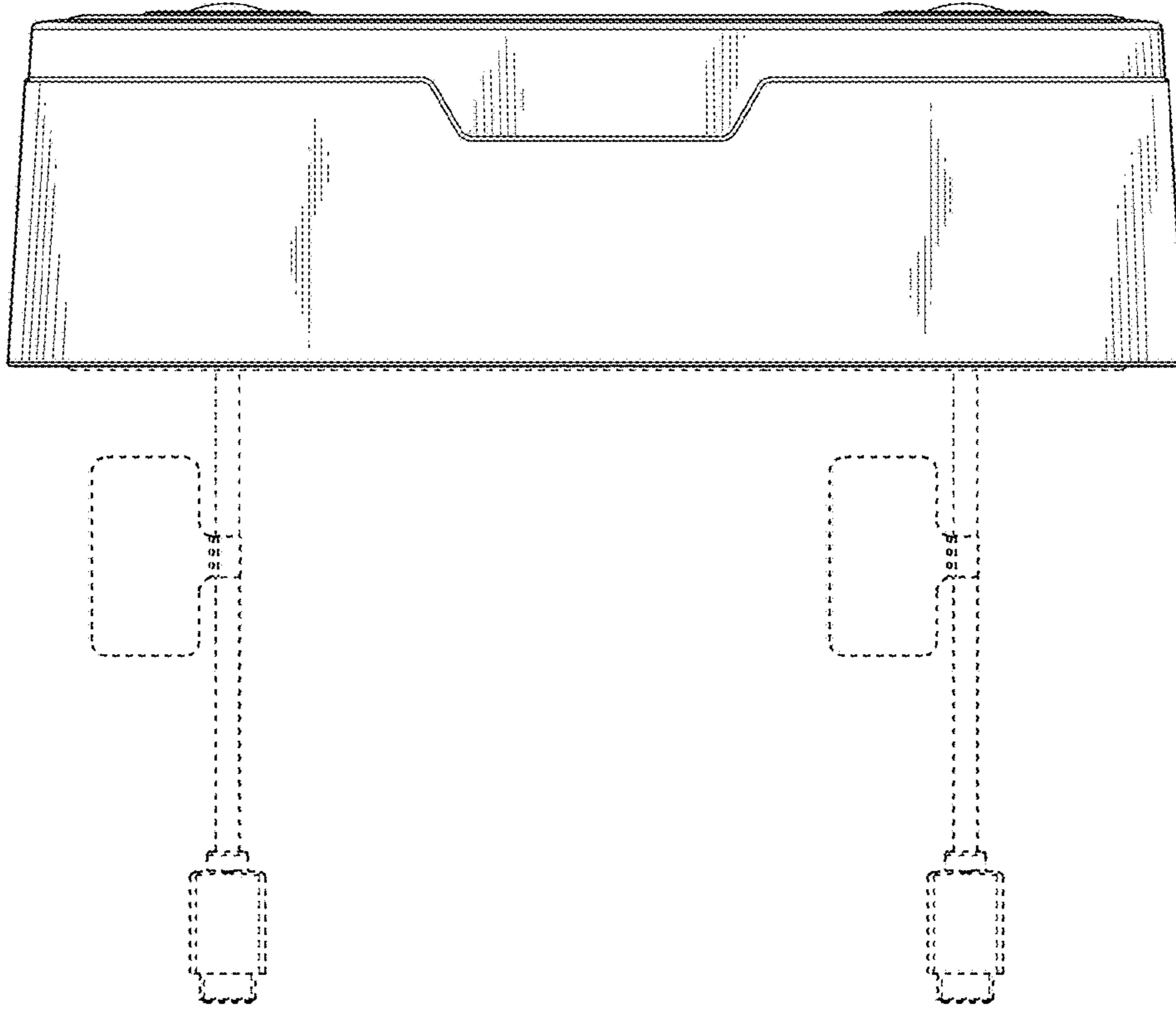
1.3



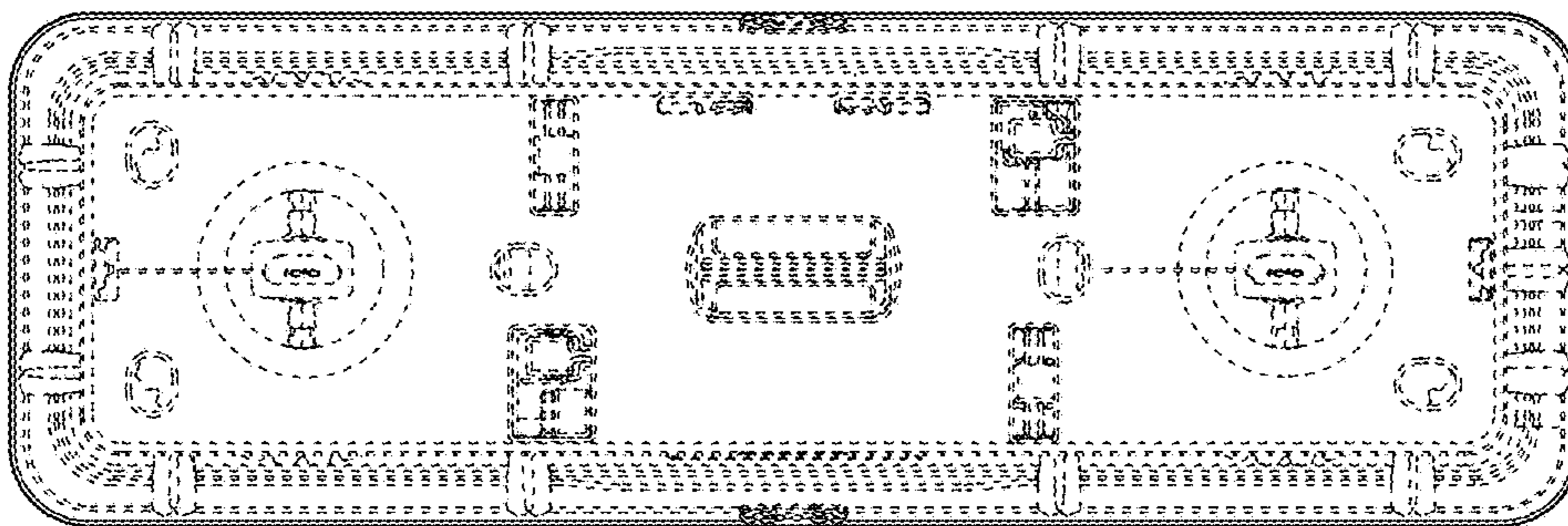
1.4



1.5



1.6



1.7