



US00D820896S

(12) **United States Design Patent**  
**Novak et al.**

(10) **Patent No.:** **US D820,896 S**  
(45) **Date of Patent:** **\*\* Jun. 19, 2018**

(54) **MONITORING CAMERA**

(71) Applicant: **Axis AB**, Lund (SE)

(72) Inventors: **Sara Novak**, Malmö (SE); **Erica Backe**, Malmö (SE); **Morten Bergstrom**, Lund (SE); **Daniel Ahman**, Lomma (SE); **Mathias Walter**, Arlov (SE); **Stefan Larsson**, Lund (SE)

(73) Assignee: **AXIS AB**, Lund (SE)

(\*\*) Term: **15 Years**

(21) Appl. No.: **29/577,710**

(22) Filed: **Sep. 15, 2016**

(30) **Foreign Application Priority Data**

Mar. 15, 2016 (EM) ..... 003029412

(51) **LOC (11) Cl.** ..... **16-01**

(52) **U.S. Cl.**  
USPC ..... **D16/203**

(58) **Field of Classification Search**  
USPC ..... D16/200–220, 239, 242, 243, 244, 245;  
D3/267, 265; D26/140, 26, 138, 142, 60,  
D26/61, 62, 63, 106, 107, 128, 131;  
D12/187; D14/204, 195, 181, 183, 215,  
D14/209, 210, 224  
CPC .. A61B 5/00; A61B 17/34; B60R 1/00; B60R  
11/04; B64D 47/08; F16M 11/12; G03B  
5/00; G03B 7/26; G03B 11/04; G03B  
15/00; G03B 17/56; G03B 17/00; G03B  
17/55; G03B 17/02; G08B 15/00; G11B  
5/60; G06K 9/00; H04N 5/232; H04N  
5/225; H04N 7/18; H04N 7/173; H04N  
13/02

See application file for complete search history.

(56) **References Cited**

**U.S. PATENT DOCUMENTS**

D253,853 S \* 1/1980 Gerber ..... D26/63  
D481,406 S \* 10/2003 Alessio ..... D16/203

D635,172 S \* 3/2011 Ko ..... D16/203  
D637,640 S \* 5/2011 Park ..... D16/203  
D691,187 S \* 10/2013 Seo ..... D16/203  
D696,329 S \* 12/2013 Horiki ..... D16/203  
D697,245 S \* 1/2014 Thomas ..... D26/63  
D721,756 S \* 1/2015 Hallstrom ..... D16/203

(Continued)

**FOREIGN PATENT DOCUMENTS**

CN 304006132 \* 1/2017  
TW D173898 2/2016

**OTHER PUBLICATIONS**

Backe, Erica et al., “Mechanical Design of Retail Cameras”, Master Thesis, Division of Machine Design, Department of Design Science, Faculty of Engineering LTH, Lund University, 2013, Axis Communications, pp. 1-129.

*Primary Examiner* — Barbara Fox

*Assistant Examiner* — Mary C Ramirez

(74) *Attorney, Agent, or Firm* — Volpe and Koenig, P.C.

(57) **CLAIM**

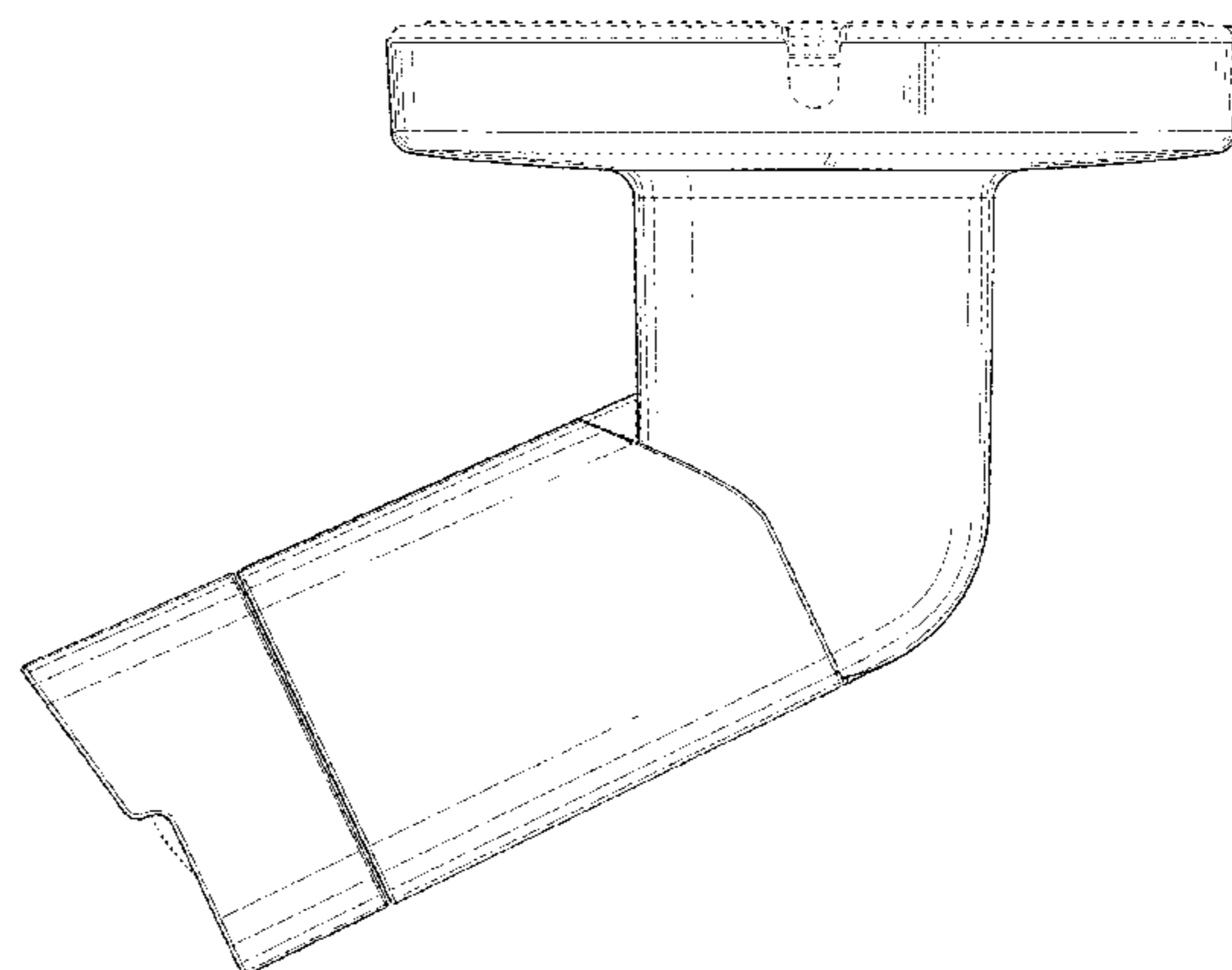
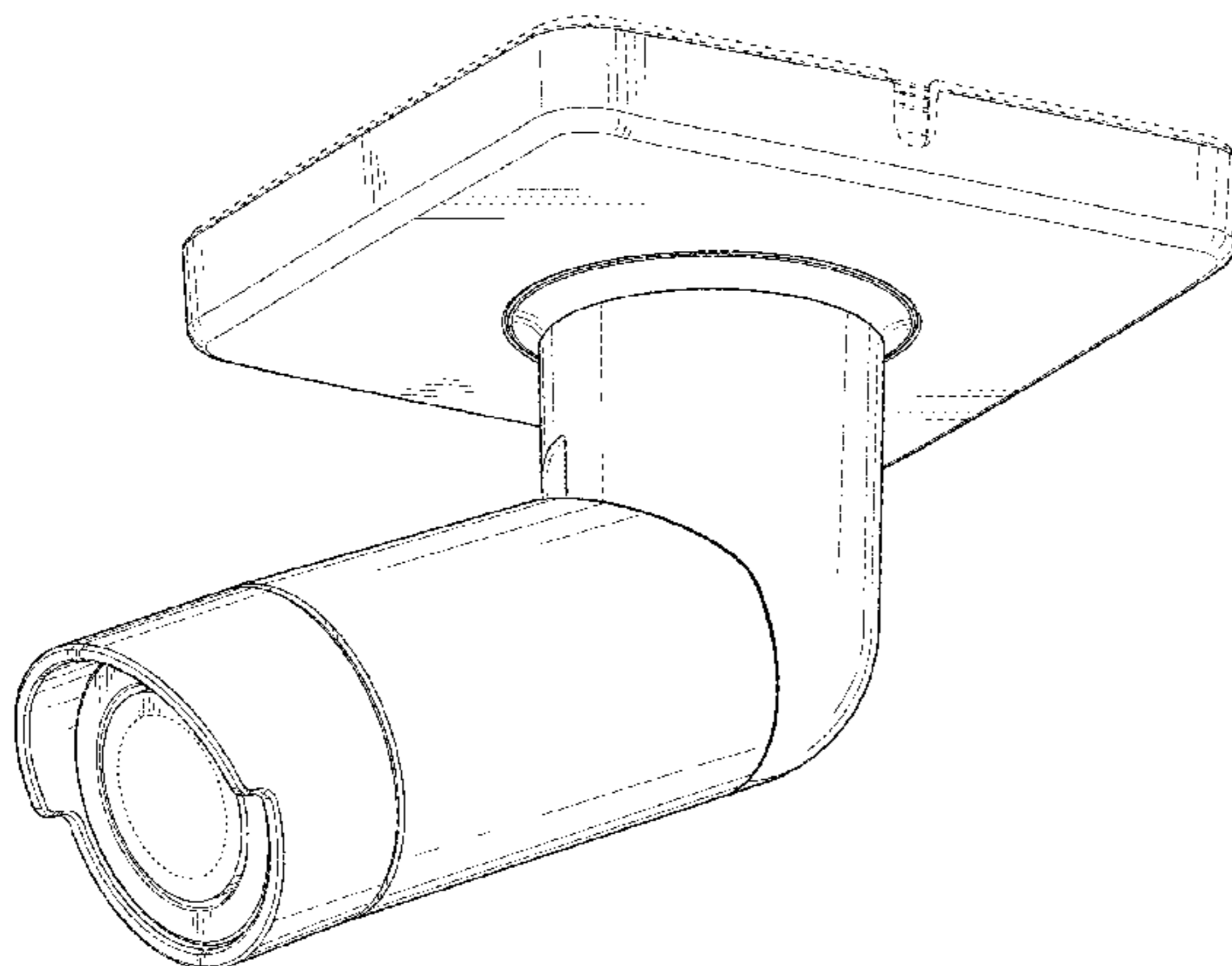
We claim the ornamental design for a monitoring camera, as shown and described.

**DESCRIPTION**

FIG. 1 is a bottom, front, right perspective view of a monitoring camera in accordance with our design;  
FIG. 2 is a front elevational view thereof;  
FIG. 3 is a bottom plan view thereof;  
FIG. 4 is a left side elevational view thereof;  
FIG. 5 is a right side elevational view thereof;  
FIG. 6 is a rear elevational view thereof; and,  
FIG. 7 is a top plan view thereof.

The broken lines shown in the drawings depict portions of the monitoring camera that form no part of the claimed design.

**1 Claim, 7 Drawing Sheets**



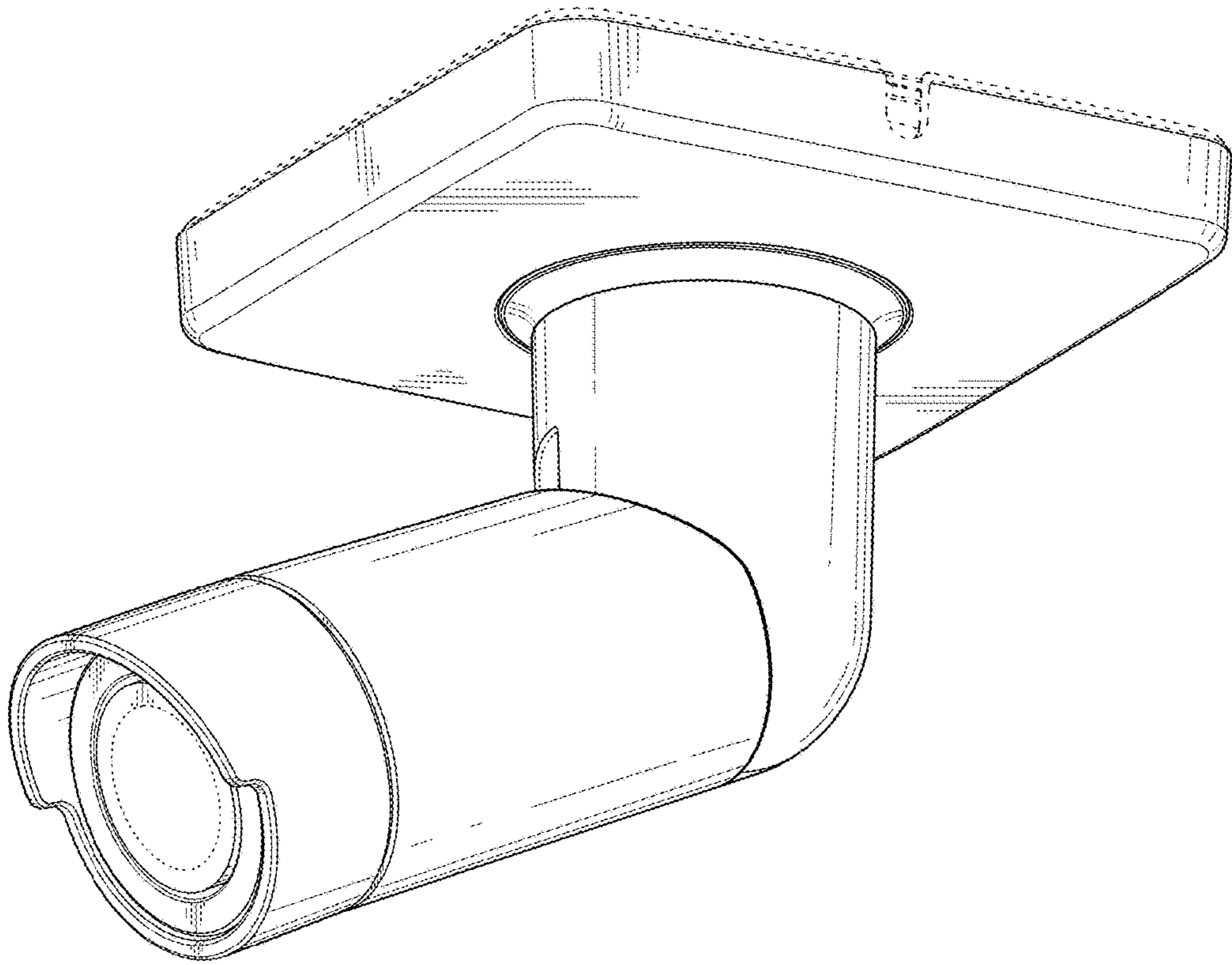
(56)

**References Cited**

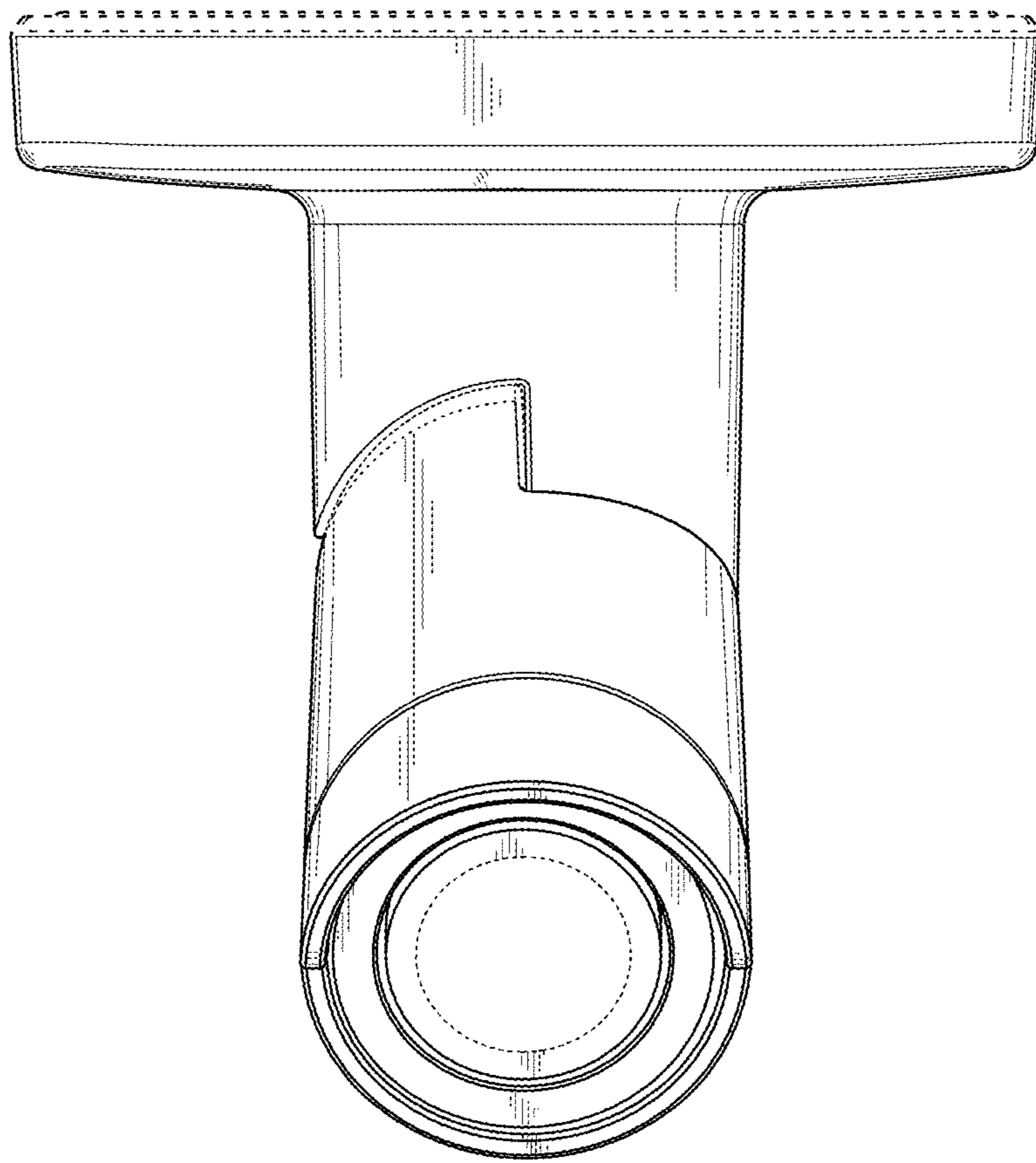
U.S. PATENT DOCUMENTS

D731,574 S *	6/2015	Hallstrom .....	D16/203
D753,751 S *	4/2016	Moller-Lewin .....	D16/203
D781,361 S *	3/2017	Dimitriadis .....	D16/203
D787,581 S *	5/2017	Moller-Lewin .....	D16/203
2008/0226282 A1 *	9/2008	Takahashi .....	F16M 11/10 396/427
2009/0309968 A1 *	12/2009	Cheng .....	H04N 7/183 348/143

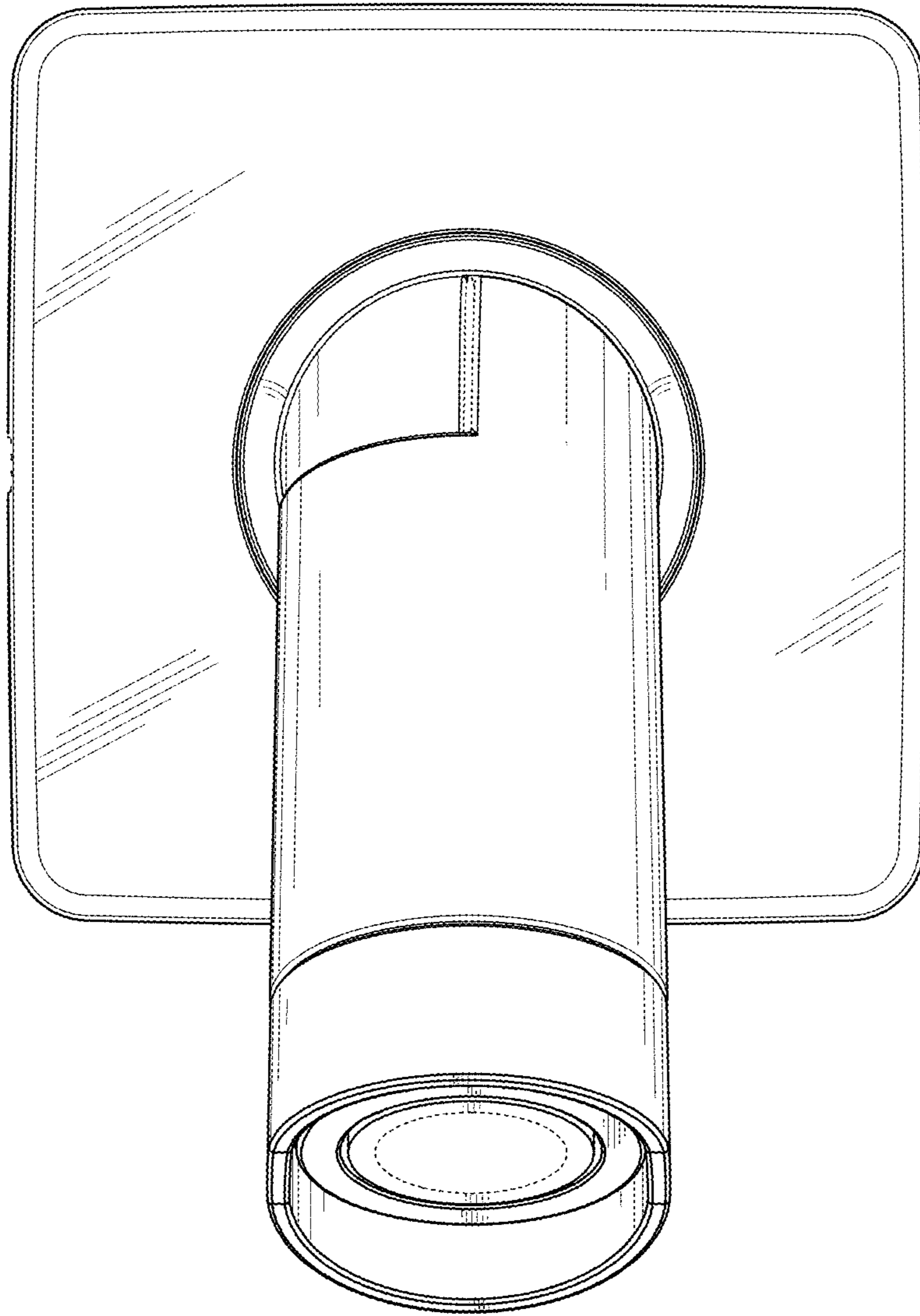
\* cited by examiner



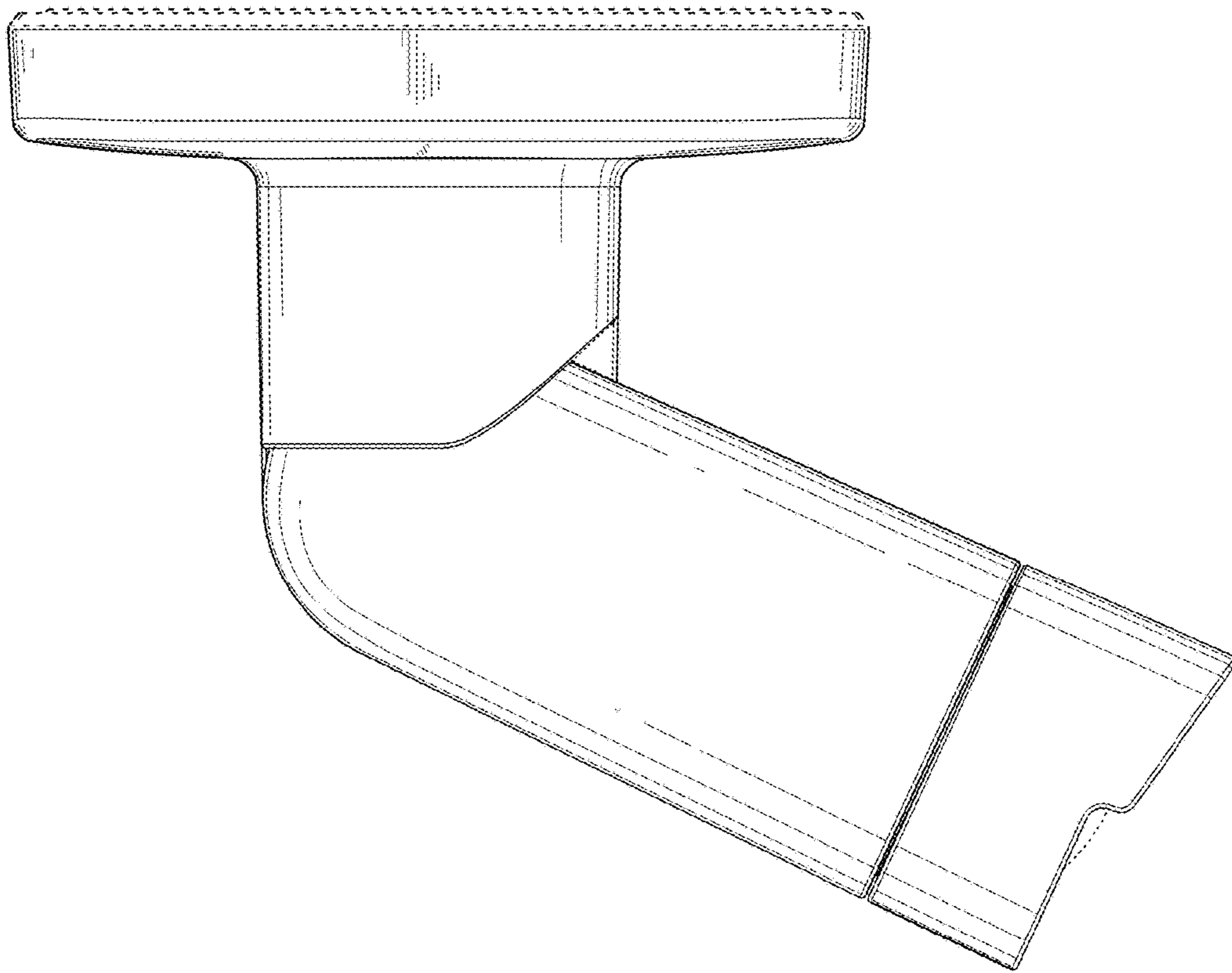
*Fig. 1*



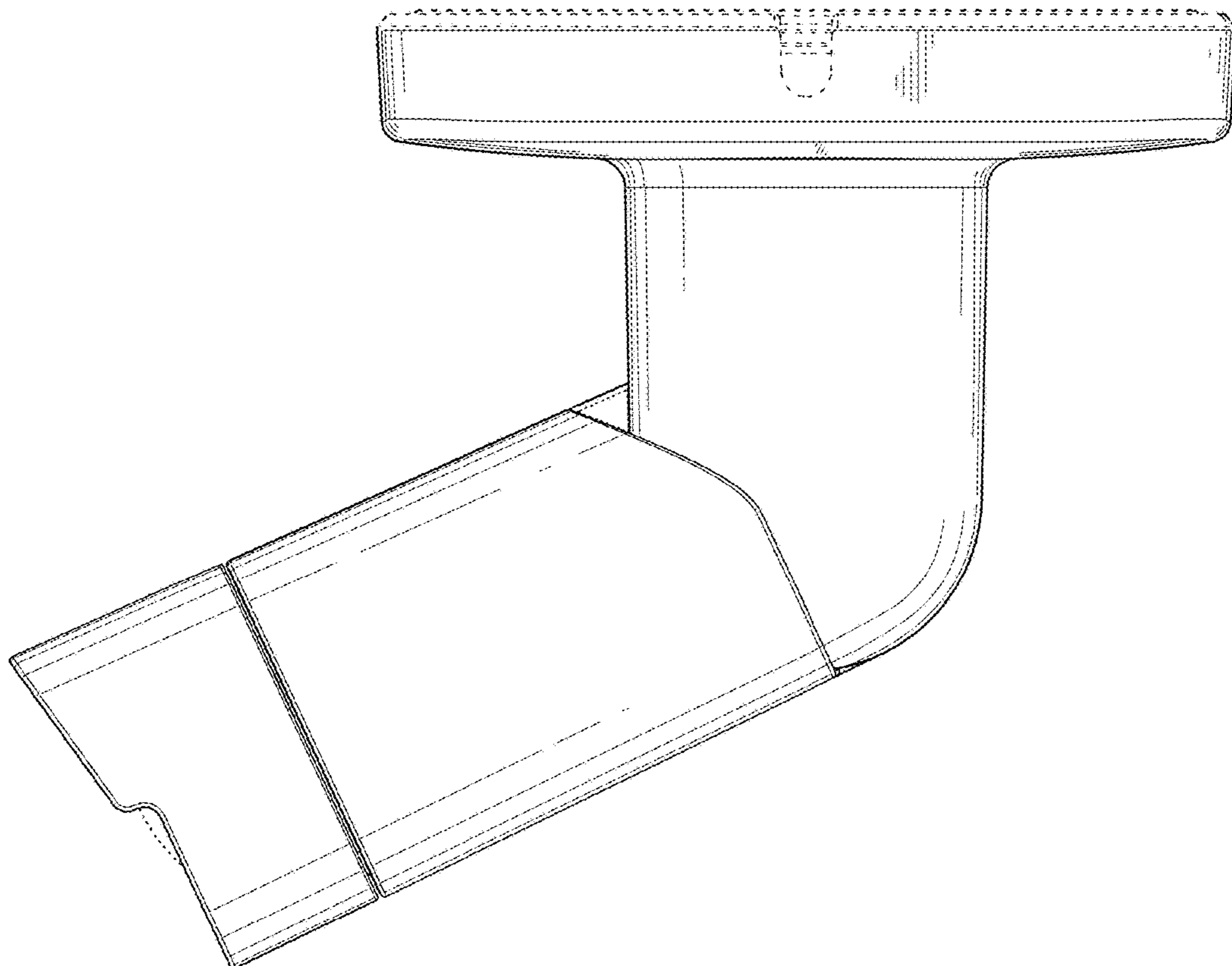
*Fig. 2*



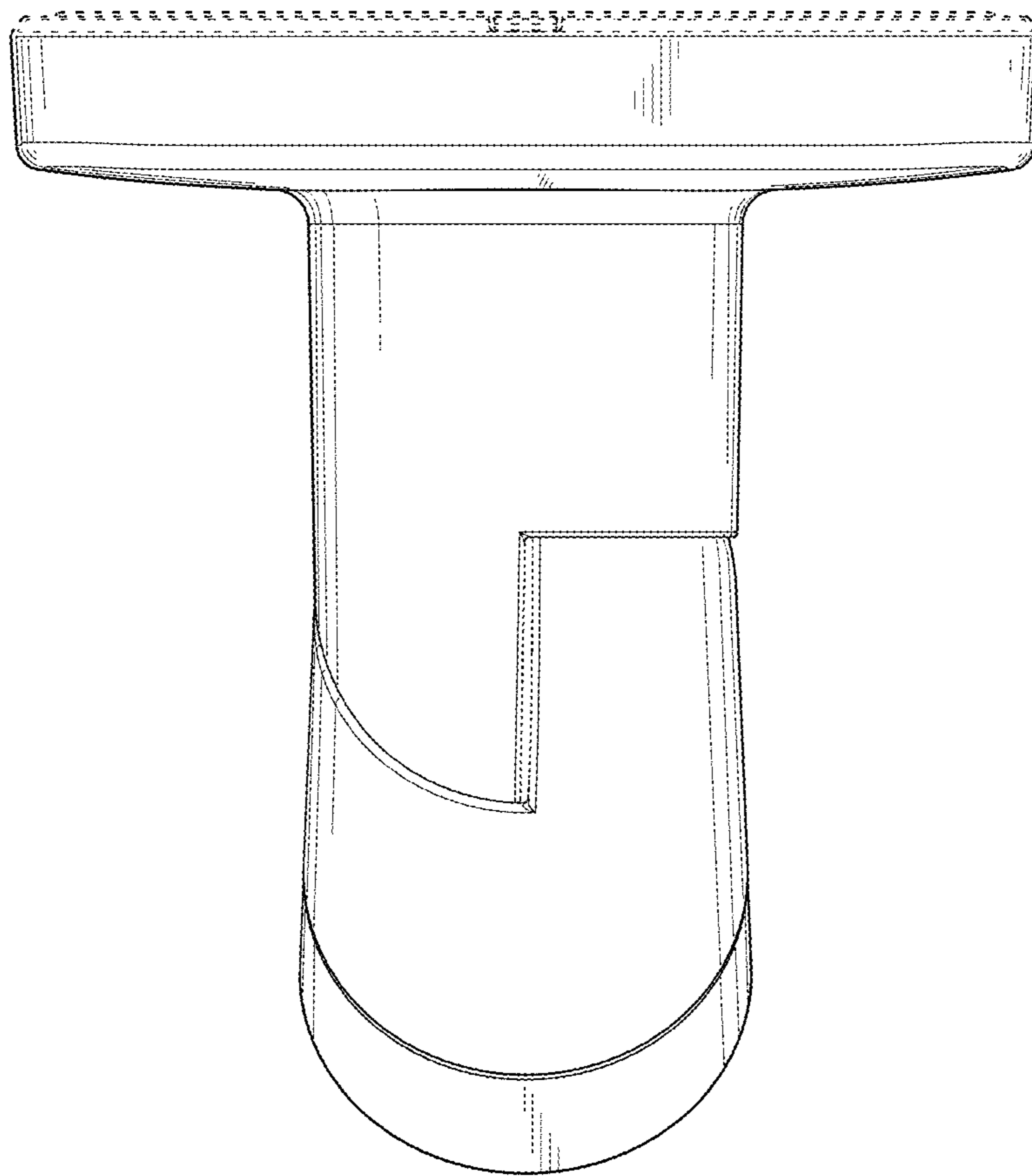
*Fig. 3*



*Fig. 4*

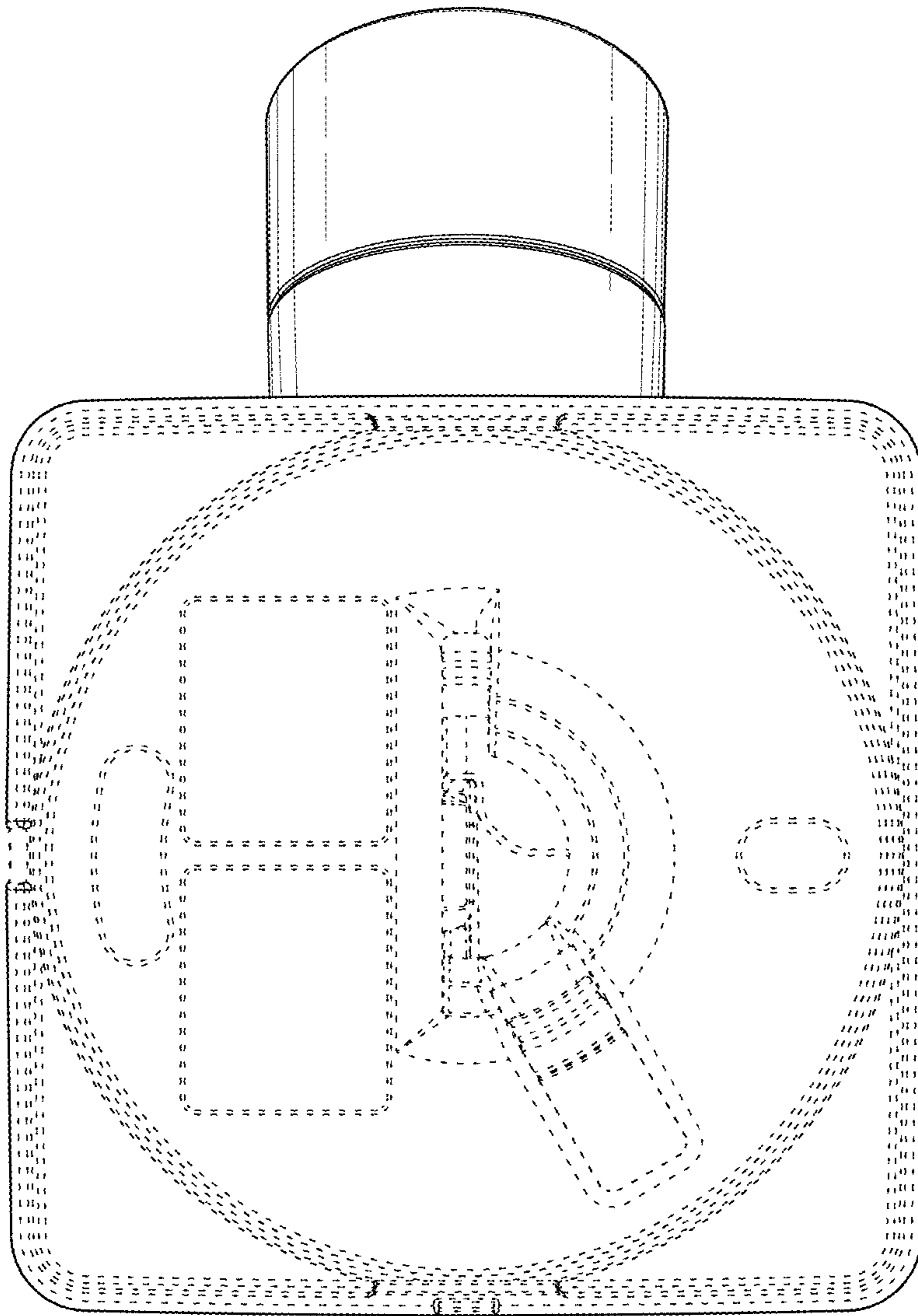


*Fig. 5*



*Fig. 6*





*Fig. 7*