



US00D820895S

(12) **United States Design Patent** (10) **Patent No.:** **US D820,895 S**
Bergstrom et al. (45) **Date of Patent:** **** Jun. 19, 2018**

(54) **MONITORING CAMERA**

(56) **References Cited**

(71) Applicant: **AXIS AB**, Lund (SE)

U.S. PATENT DOCUMENTS

(72) Inventors: **Morten Bergstrom**, Bjarred (SE); **Jens Pahlitzsch**, Lund (SE); **Mathias Walter**, Arlov (SE); **Niclas Moller-Lewin**, Malmo (SE); **Johan Bergsten**, Landskrona (SE)

D325,212 S 4/1992 Elberbaum
5,689,304 A 11/1997 Jones et al.
D416,273 S 11/1999 Yamakawa et al.
D425,535 S 5/2000 Mutoh et al.
D426,250 S 6/2000 Lefkowitz

(Continued)

(73) Assignee: **AXIS AB**, Lund (SE)

FOREIGN PATENT DOCUMENTS

(**) Term: **15 Years**

EP 2887328 6/2015
TW D113100 9/2006

(Continued)

(21) Appl. No.: **29/551,566**

(22) Filed: **Jan. 14, 2016**

OTHER PUBLICATIONS

Questel Printout—Chinese Design Registration No. 302849987, dated Jun. 18, 2014.

(Continued)

Related U.S. Application Data

(62) Division of application No. 29/514,777, filed on Jan. 16, 2015, now Pat. No. Des. 750,683.

Primary Examiner — Philip S Hyder
Assistant Examiner — Ramzi Almatrahi

(30) **Foreign Application Priority Data**

Jul. 16, 2014 (WO) 002503334-01-03

(74) *Attorney, Agent, or Firm* — Volpe and Koenig, P.C.

(51) **LOC (11) Cl.** **16-01**

(52) **U.S. Cl.**
USPC **D16/203**

(57) **CLAIM**

The ornamental design for a monitoring camera, as shown and described.

(58) **Field of Classification Search**

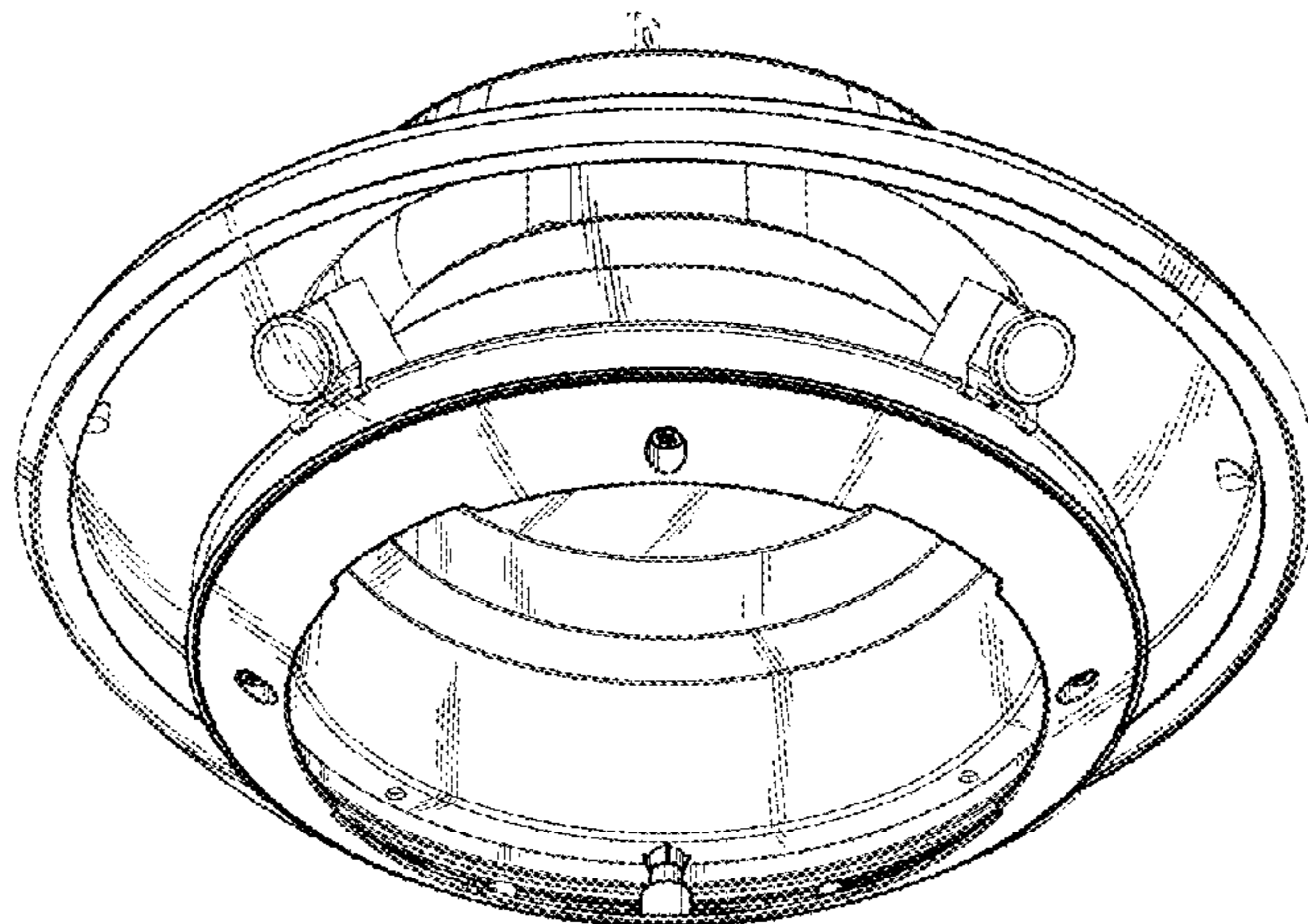
USPC D16/200, 202–206, 218, 219, 242;
348/143, 148, 151, 373–376; 396/419,
396/427, 535, 539–541
CPC G03B 17/02; G03B 19/04; G03B 17/56;
G03B 17/04; G03B 15/03; H04N 5/2251;
H04N 5/2252; H04N 5/2253; H04N
5/2254; H04N 7/181; H04N 7/183; H04N
7/18; G08B 13/1963; G08B 13/19619;
G08B 13/19632; F16M 11/04; F16M
13/00

DESCRIPTION

FIG. 1 is a bottom, left, rear perspective view of a monitoring camera in accordance with our design;
FIG. 2 is a rear elevational view thereof;
FIG. 3 is a bottom view thereof;
FIG. 4 is a right side elevational view thereof;
FIG. 5 is a left side elevational view thereof;
FIG. 6 is a front elevational view thereof; and,
FIG. 7 is a top plan view thereof.
The broken lines depict portions of the monitoring camera in which the design is embodied that form no part of the claimed design.

See application file for complete search history.

1 Claim, 4 Drawing Sheets



(56)

References Cited

U.S. PATENT DOCUMENTS

D450,076 S 11/2001 Fujimaki
 D455,767 S 4/2002 Tsang et al.
 D464,676 S 10/2002 Leo et al.
 D468,654 S 1/2003 Wunsch
 6,678,001 B1* 1/2004 Elberbaum G08B 13/19619
 348/373
 6,715,940 B2* 4/2004 Top G08B 13/19619
 348/143

 D499,125 S 11/2004 Adachi et al.
 D499,126 S 11/2004 Kato et al.
 D507,804 S 7/2005 Nagai
 D513,028 S 12/2005 Maruyama
 D527,405 S 8/2006 Kim et al.
 D552,501 S 10/2007 Lin et al.
 D552,651 S 10/2007 Arbuckle
 D556,235 S 11/2007 Todd et al.
 D556,236 S 11/2007 Kim
 D560,244 S 1/2008 Naruki
 D563,446 S 3/2008 Stephens et al.
 D565,628 S 4/2008 Alm et al.
 D575,810 S 8/2008 Alm
 D581,961 S 12/2008 Shioya
 D584,756 S 1/2009 Yamakawa
 D600,152 S 9/2009 Stack et al.
 7,614,804 B2 11/2009 Kim
 D606,105 S 12/2009 Hinkel
 D610,183 S 2/2010 Nohavec et al.
 D615,114 S 5/2010 Arnold
 D615,115 S* 5/2010 Arnold D16/203
 D628,225 S 11/2010 Deurwaarder
 D633,120 S 2/2011 Ham
 D636,804 S 4/2011 Anneback
 D636,805 S 4/2011 Anneback et al.
 D647,553 S 10/2011 Park
 8,066,438 B2 11/2011 Takahashi
 D650,410 S* 12/2011 Helouai D16/203
 D655,328 S 3/2012 Anneback
 D688,720 S* 8/2013 Yilin D16/203
 D690,345 S 9/2013 Seo
 8,558,945 B2 10/2013 Yamauchi et al.
 D694,798 S 12/2013 Deurwaarder
 8,648,923 B2 2/2014 Iwasaki

D701,258 S 3/2014 Huang
 8,790,024 B2 7/2014 Andersson
 D721,755 S 1/2015 Ahman et al.
 D726,800 S 4/2015 Dahlqvist et al.
 D740,870 S 10/2015 Park
 D740,874 S 10/2015 Ahman et al.
 D742,447 S 11/2015 Stark et al.
 D753,753 S* 4/2016 Moon D16/203
 9,491,337 B2 11/2016 Elensi et al.
 9,535,311 B2 1/2017 Bergsten et al.
 D786,329 S 5/2017 Kamei
 D786,330 S* 5/2017 Tasselli D16/203
 D788,607 S 6/2017 Ji et al.
 9,699,359 B2 7/2017 Urano et al.
 D798,933 S 10/2017 Little
 2009/0290860 A1 11/2009 Uchida et al.
 2012/0106942 A1* 5/2012 Mukai G03B 37/00
 396/427
 2015/0326759 A1 11/2015 Mukai

FOREIGN PATENT DOCUMENTS

TW D156913 11/2013
 TW D157863 12/2013
 WO DM/092 226 5/2016

OTHER PUBLICATIONS

Questel Printout—Chinese Design Registration No. 302857494, dated Jun. 25, 2014.
 Questel Printout—Chinese Design Registration No. 302865457, dated Jul. 2, 2014.
 Questel Printout—Chinese Design Registration No. 302889188, dated Jul. 23, 2014.
 Questel Printout—Chinese Design Registration No. 302361955, dated Mar. 20, 2013.
 Questel Printout—Chinese Design Registration No. 302327164, dated Feb. 20, 2013.
 Questel Printout—Chinese Design Registration No. 302351286, dated Mar. 13, 2013.
 Questel Printout—Chinese Design Registration No. 300769923, dated Apr. 23, 2008.

* cited by examiner

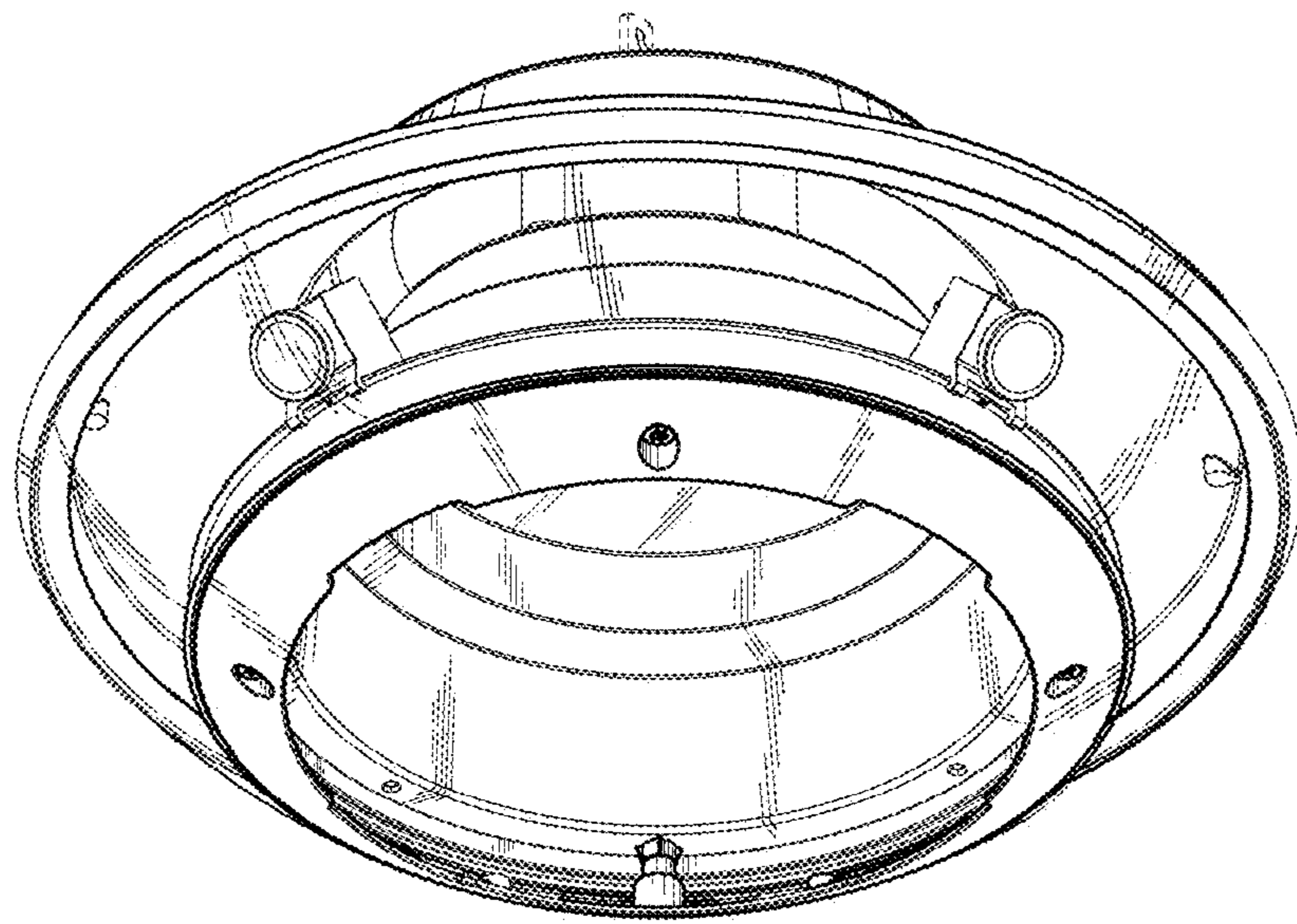


Fig. 1

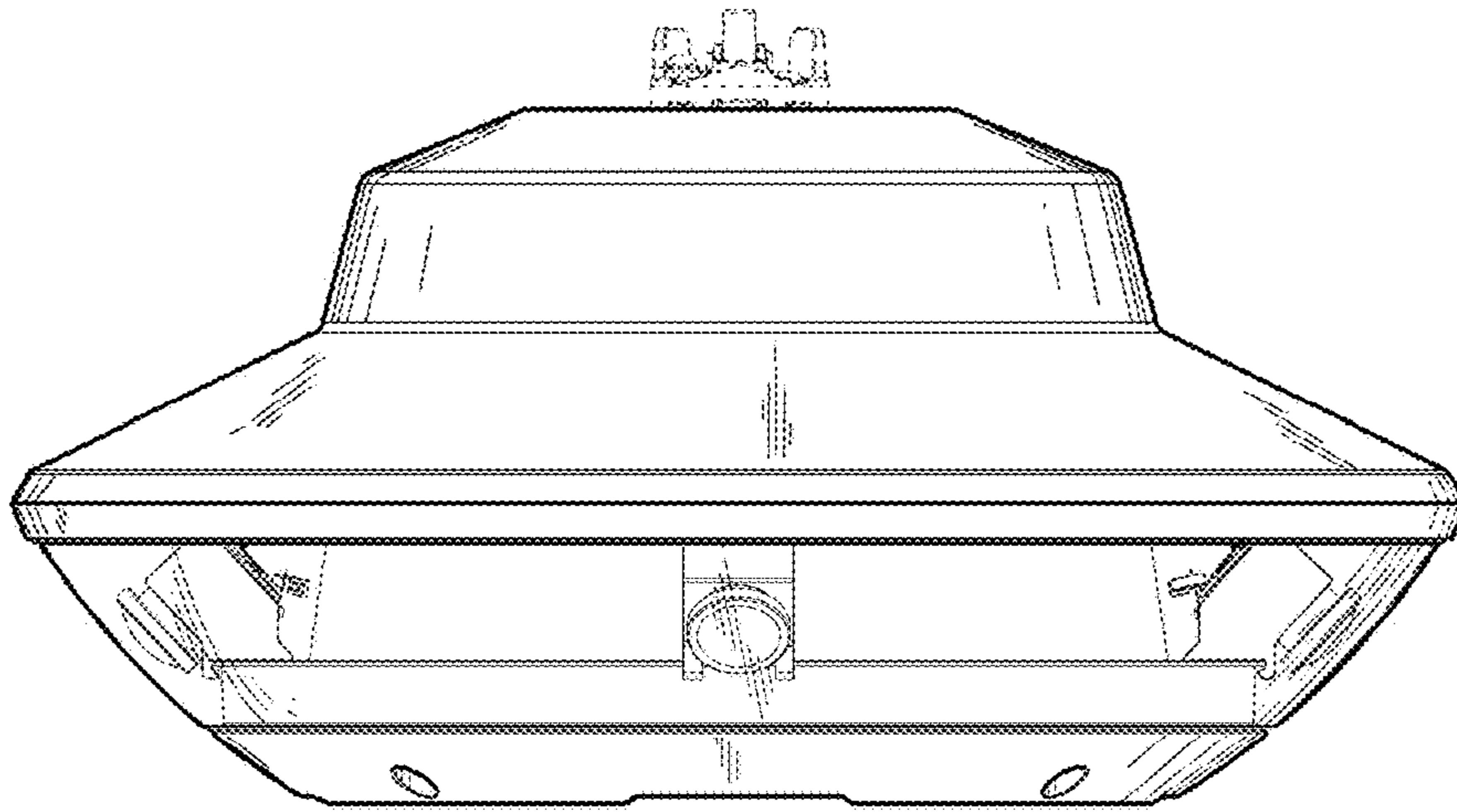


Fig. 2

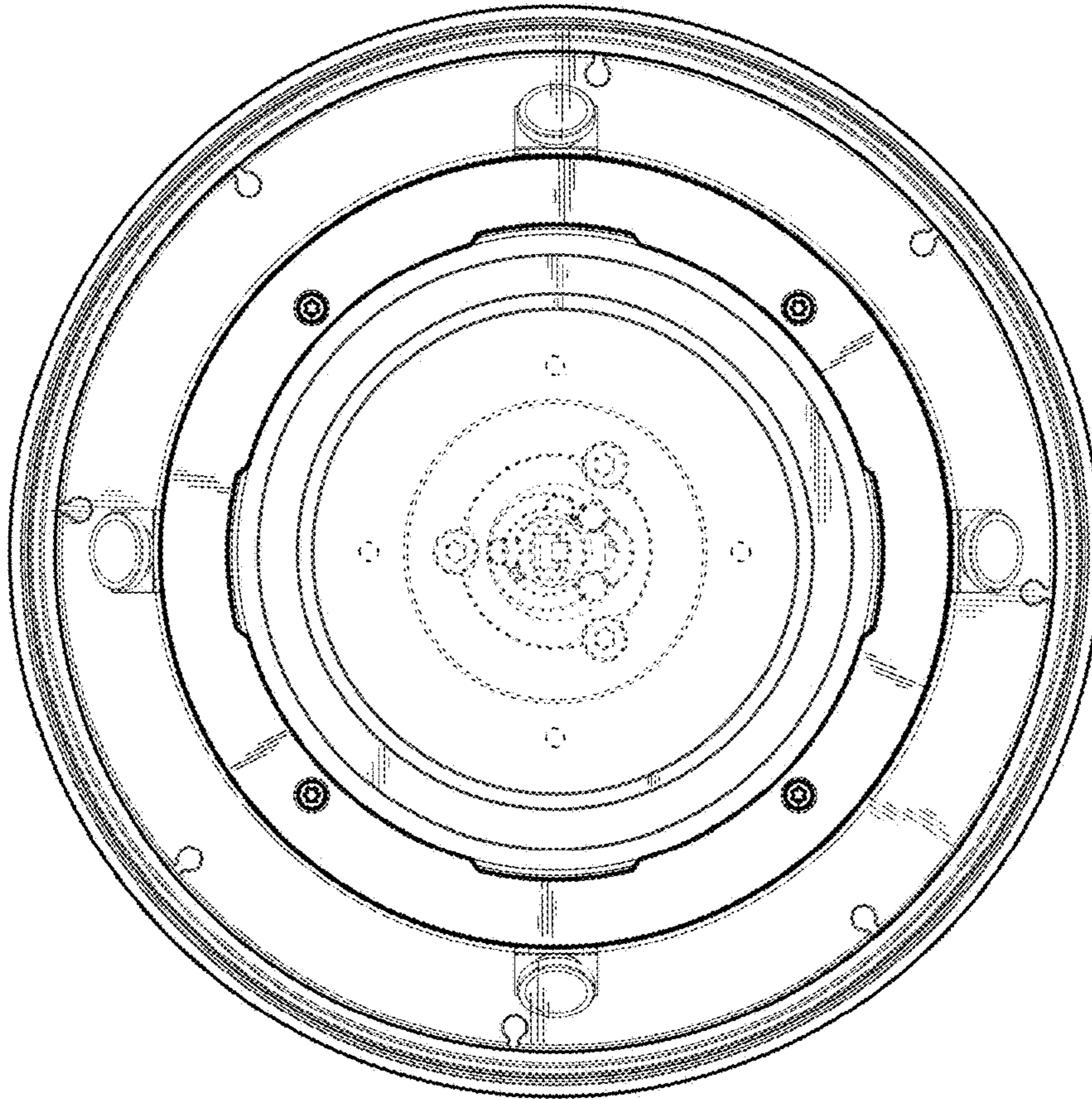


Fig. 3

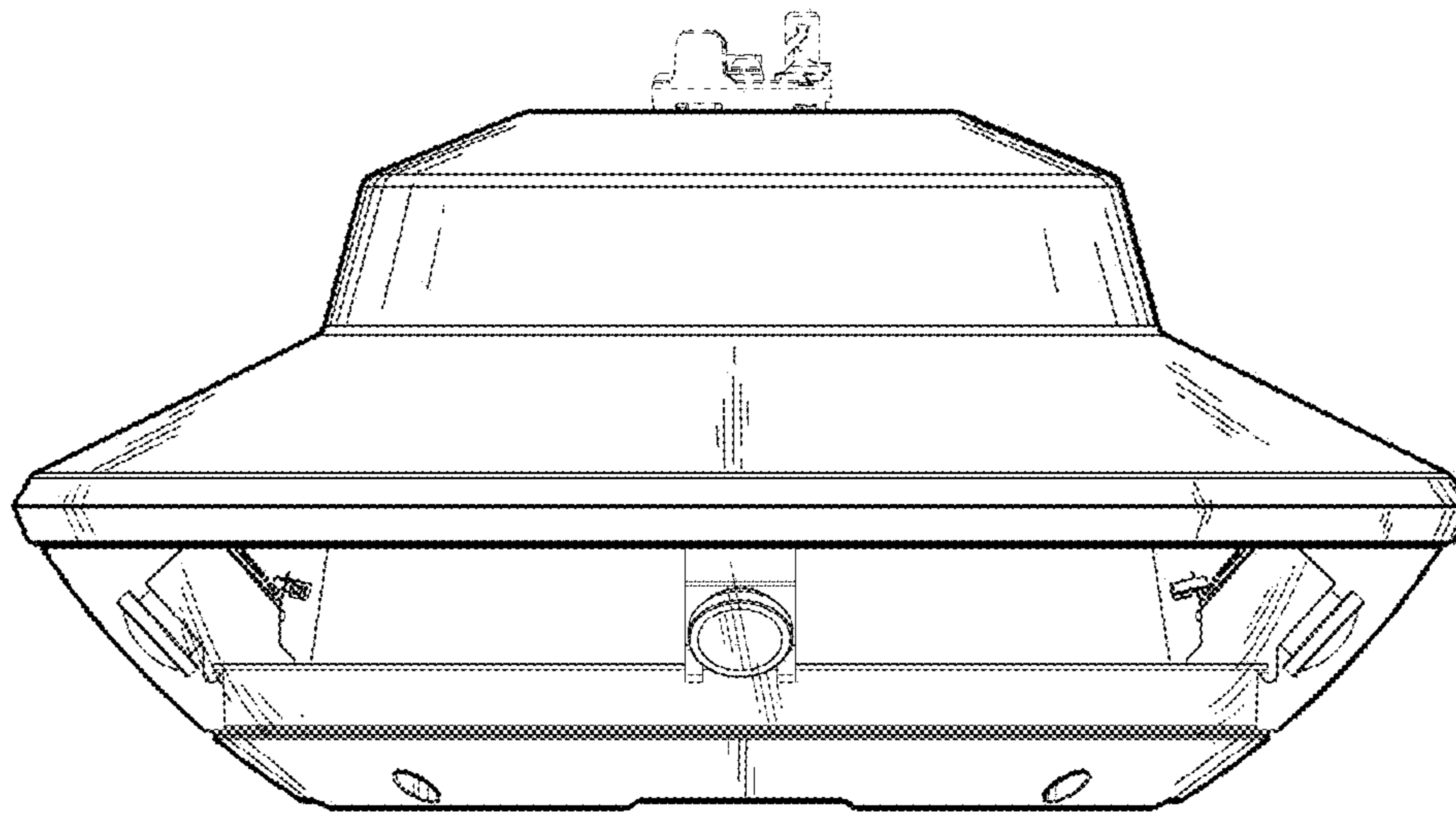


Fig. 4

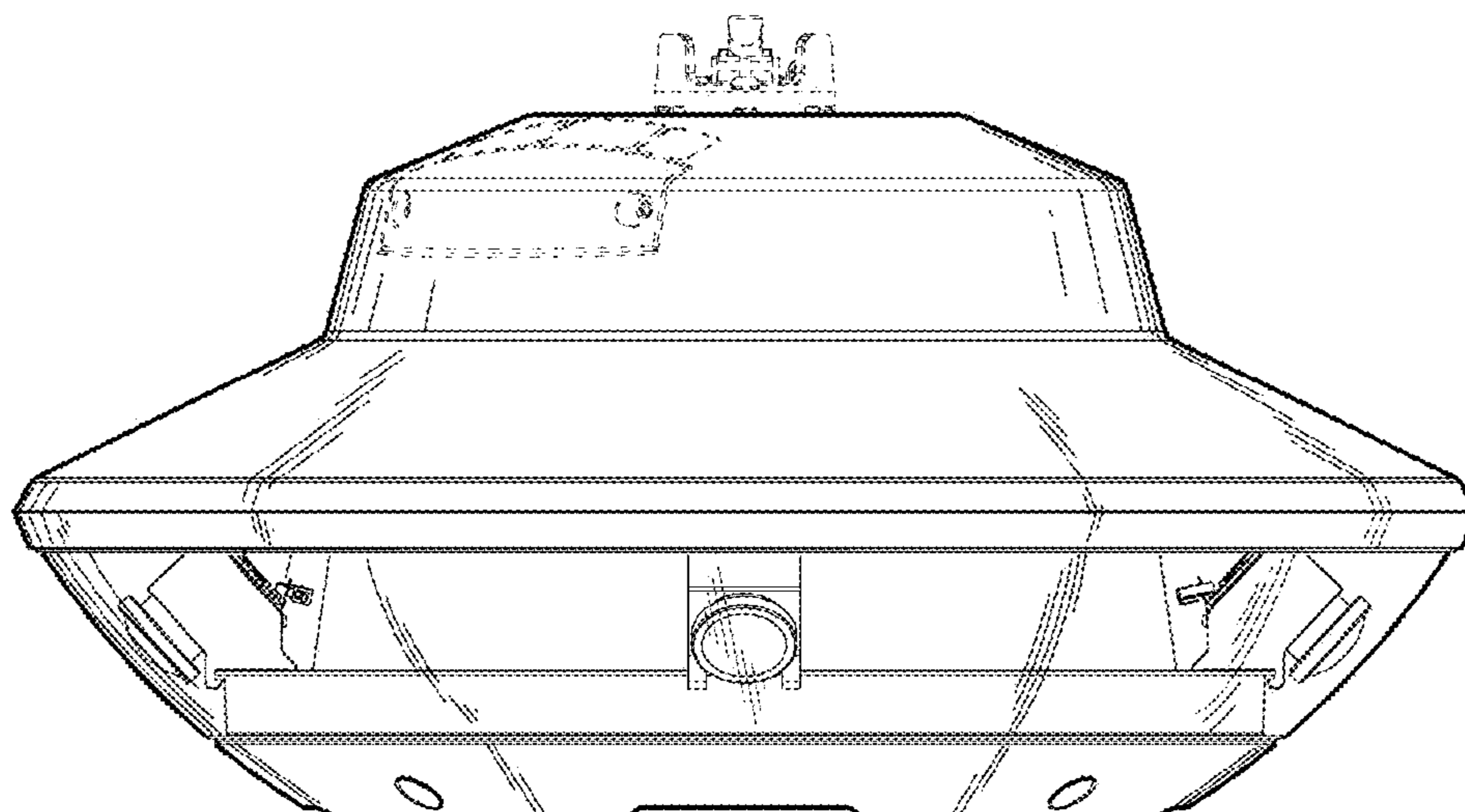


Fig. 5

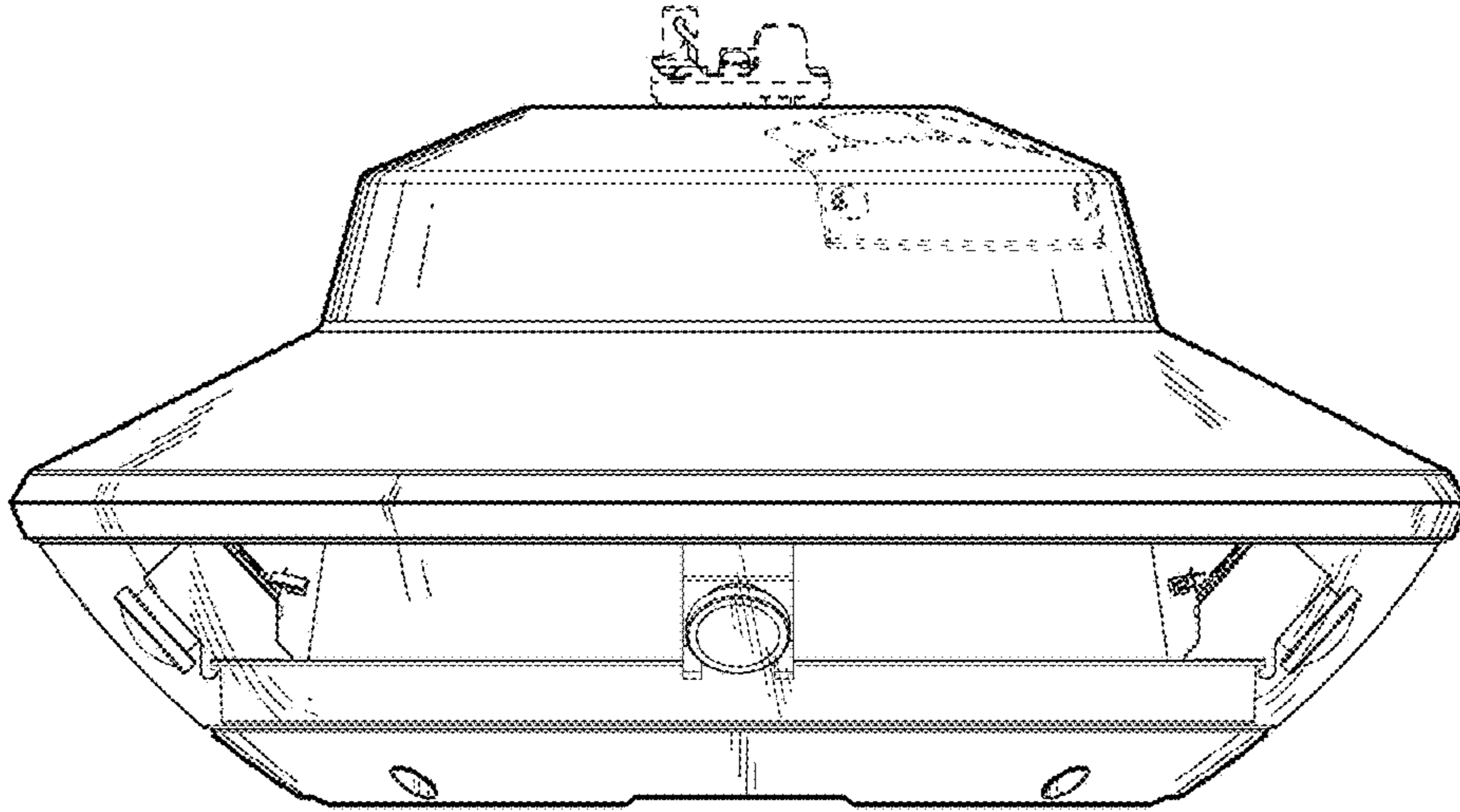


Fig. 6

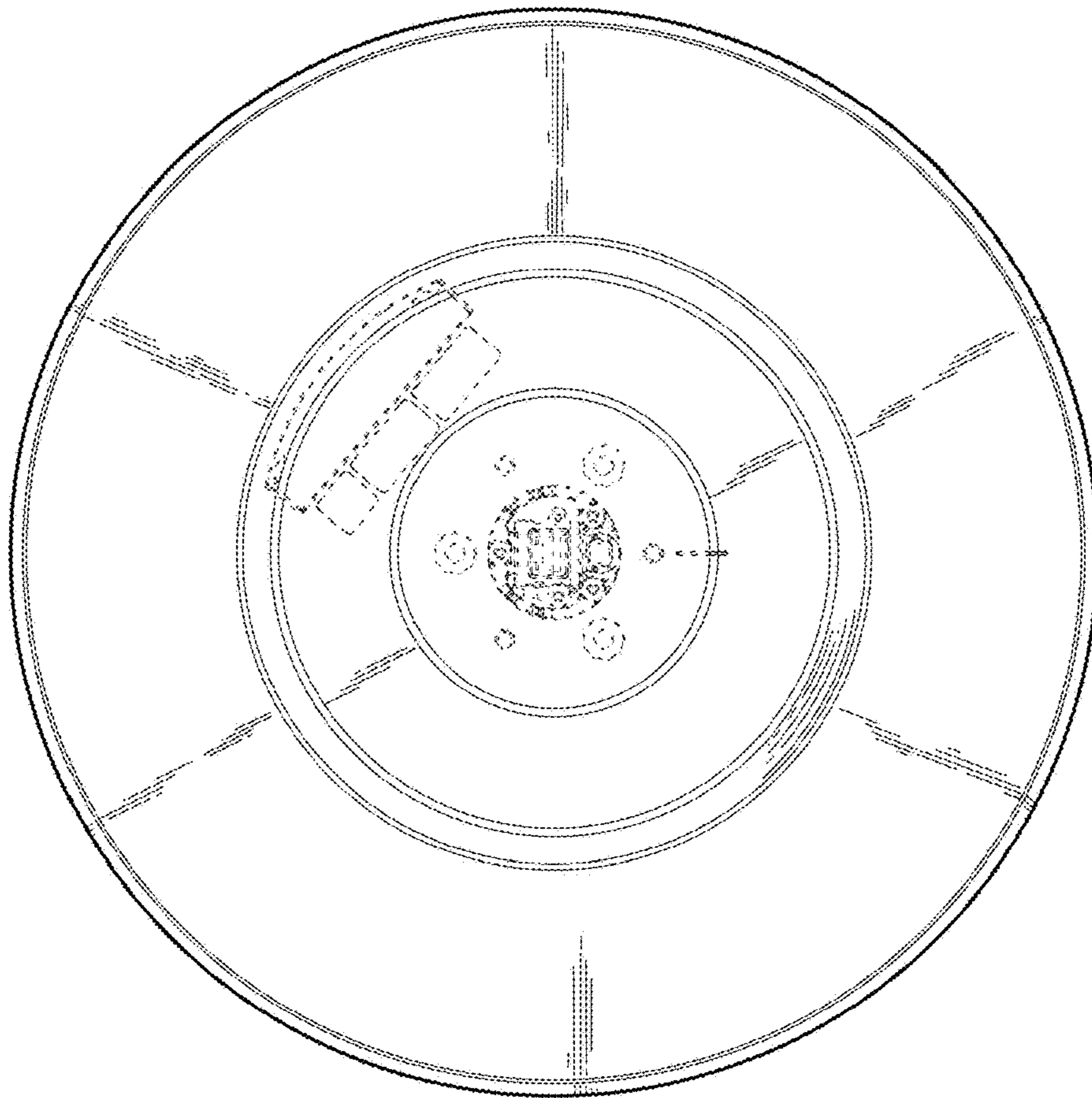


Fig. 7