



US00D820891S

(12) **United States Design Patent**
Nelgner

(10) **Patent No.:** **US D820,891 S**
(45) **Date of Patent:** **** Jun. 19, 2018**

- (54) **ON-CAR BRAKE LATHE BODY**
- (71) Applicant: **Hunter Engineering Company**, St. Louis, MO (US)
- (72) Inventor: **William James Nelgner**, St. Charles, MO (US)
- (73) Assignee: **Hunter Engineering Company**, St. Louis, MO (US)
- (**) Term: **15 Years**
- (21) Appl. No.: **29/590,286**
- (22) Filed: **Jan. 9, 2017**
- (51) **LOC (11) Cl.** **15-09**
- (52) **U.S. Cl.**
USPC **D15/130**
- (58) **Field of Classification Search**
USPC D15/127, 130
CPC B23B 5/04; B23B 5/02; B23B 2235/045;
Y10T 82/21; Y10T 82/18
See application file for complete search history.

(56) **References Cited**

U.S. PATENT DOCUMENTS

- 3,442,164 A * 5/1969 Blazek B23B 5/00
82/117
- 4,126,066 A * 11/1978 Wagor B23Q 17/0976
74/574.3
- D270,058 S * 8/1983 Aldridge, Jr. D15/130
- D270,160 S * 8/1983 Aldridge, Jr. D15/130
- D280,905 S * 10/1985 Aldridge, Jr. D15/130
- 4,951,534 A * 8/1990 Brinkmann B23B 5/32
82/105
- 5,119,702 A * 6/1992 Bogaerts B23B 5/02
82/117
- 5,359,913 A * 11/1994 Kimmell B23B 5/02
29/DIG. 56
- 5,499,563 A * 3/1996 Hansen B23B 5/04
82/112

- 5,500,989 A * 3/1996 Ford B23B 5/02
29/27 R
- 5,549,023 A * 8/1996 Strout B23B 5/04
82/112
- 5,560,271 A * 10/1996 Duty B23B 5/02
82/112

(Continued)

OTHER PUBLICATIONS

Hunter Engineering Company, "QuickComp Brake Lathe", Brochure, Dec. 2016, 4 pages, Form 6474-T, Hunter Engineering Company, St. Louis, MO USA.

Primary Examiner — Rosemary K Tarcza

Assistant Examiner — Nathaniel D. Buckner

(74) *Attorney, Agent, or Firm* — Sandberg Phoenix

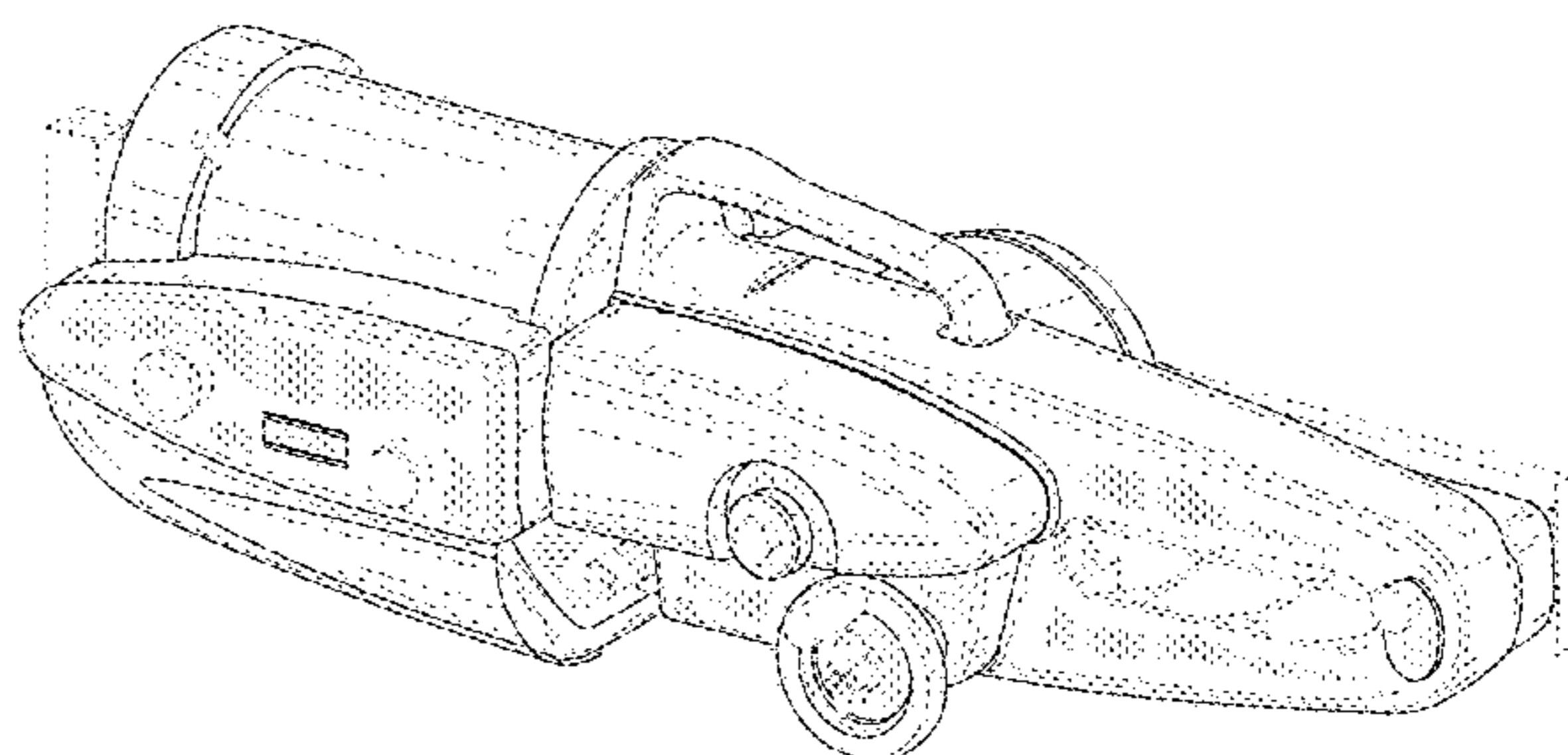
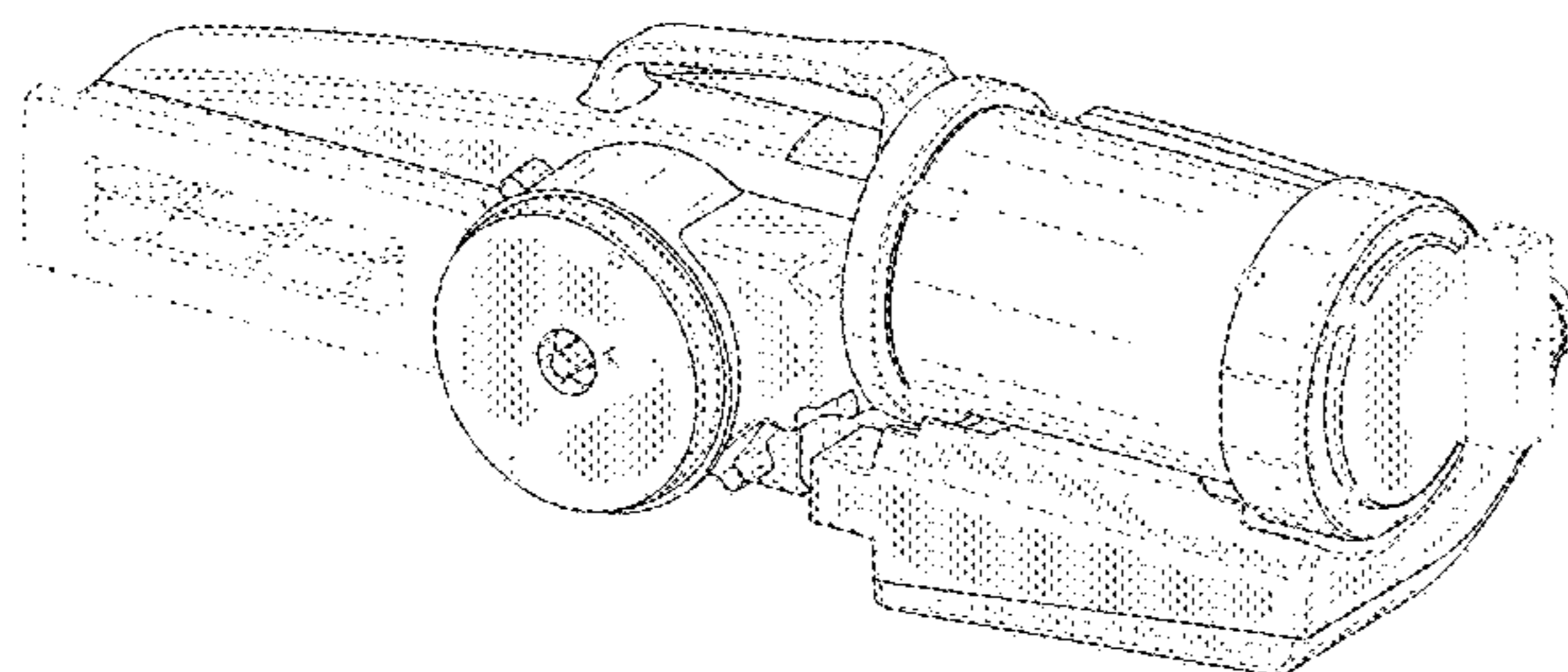
(57) **CLAIM**

The ornamental design for an on-car brake lathe body, as shown and described.

DESCRIPTION

FIG. 1 is a rear perspective view of the on-car brake lathe body;
 FIG. 2 is a front perspective view of the on-car brake lathe body;
 FIG. 3 is a Front elevation view of the on-car brake lathe body;
 FIG. 4 is a rear elevation view of the on-car brake lathe body;
 FIG. 5 is a left side elevation view of the on-car brake lathe body;
 FIG. 6 is a right side elevation view of the on-car brake lathe body;
 FIG. 7 is a top plan view of the on-car brake lathe body; and,
 FIG. 8 is a bottom plan view of the on-car brake lathe body.
 The broken lines depict portions of the on-car brake lathe body that form no part of the claim.

1 Claim, 7 Drawing Sheets



(56)

References Cited

U.S. PATENT DOCUMENTS

5,653,153 A * 8/1997 Greenwald B23B 5/04
82/1.11
5,974,878 A * 11/1999 Newell B23B 5/04
73/462
5,996,454 A * 12/1999 Brinks, Jr. B23B 5/02
82/1.11
6,363,821 B1 * 4/2002 Greenwald B23B 5/04
82/1.11
8,245,609 B1 * 8/2012 Greenwald B23B 5/04
82/1.11
2002/0112575 A1 * 8/2002 Carpenter B23B 5/04
82/112
2005/0022639 A1 * 2/2005 Gerdes B23B 5/04
82/112
2007/0000360 A1 * 1/2007 Colarelli, III B23B 5/04
82/112
2009/0107309 A1 * 4/2009 Greenwald B23B 5/04
82/118
2010/0005935 A1 * 1/2010 Ross B23B 5/32
82/105
2011/0259162 A1 * 10/2011 Nakakubo B23B 5/28
82/104
2012/0073413 A1 * 3/2012 Len B23B 5/00
82/104
2017/0361379 A1 * 12/2017 Nelgner B23B 5/04

* cited by examiner

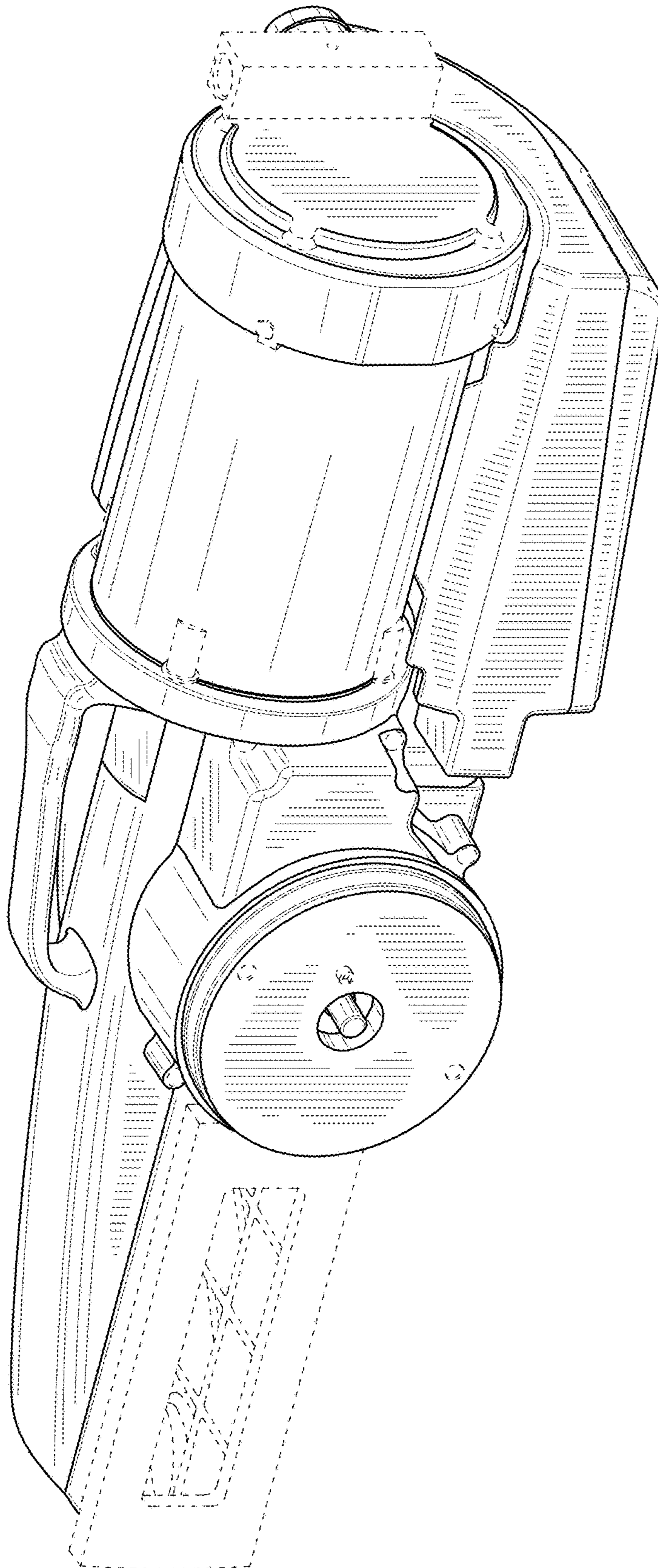


FIG. 1

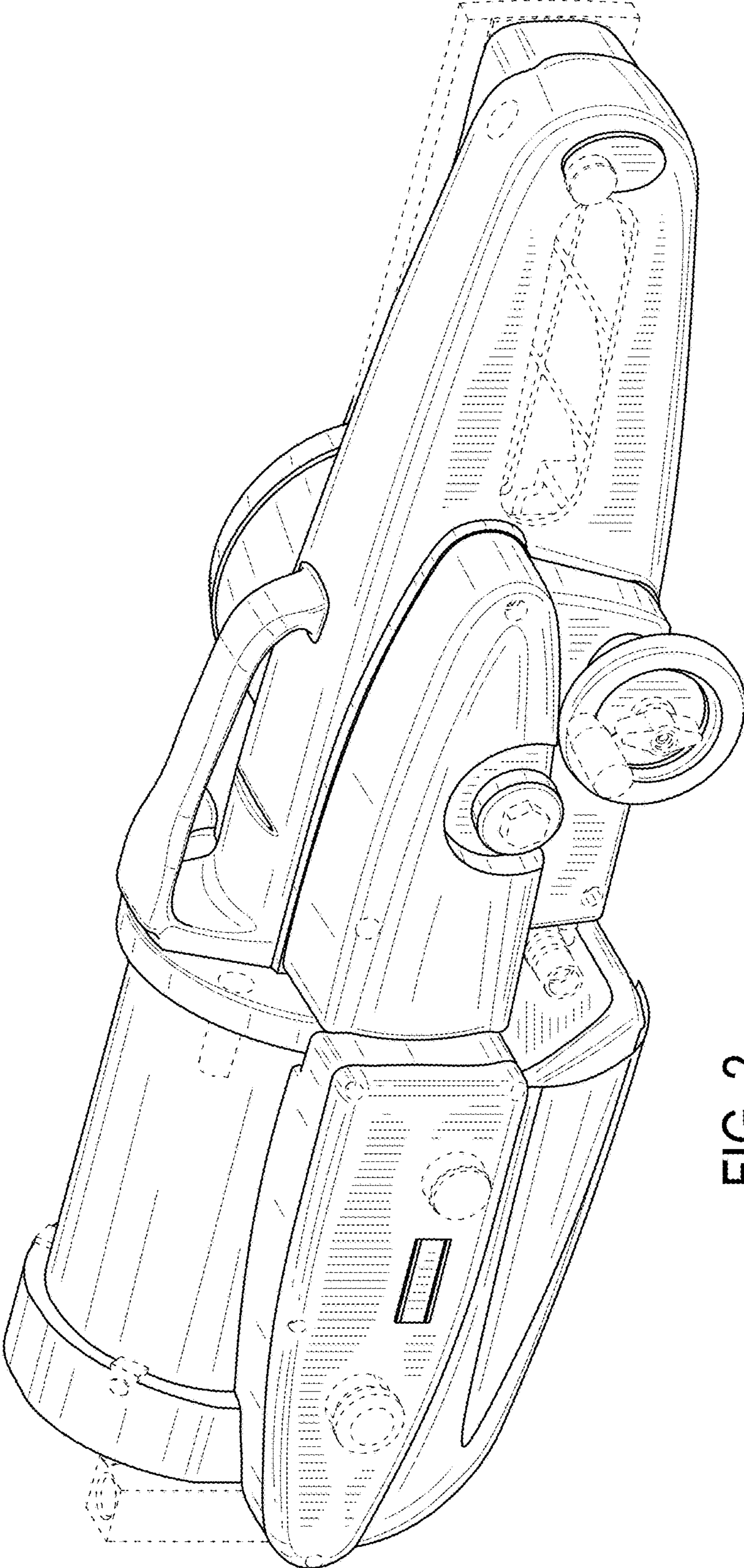


FIG. 2

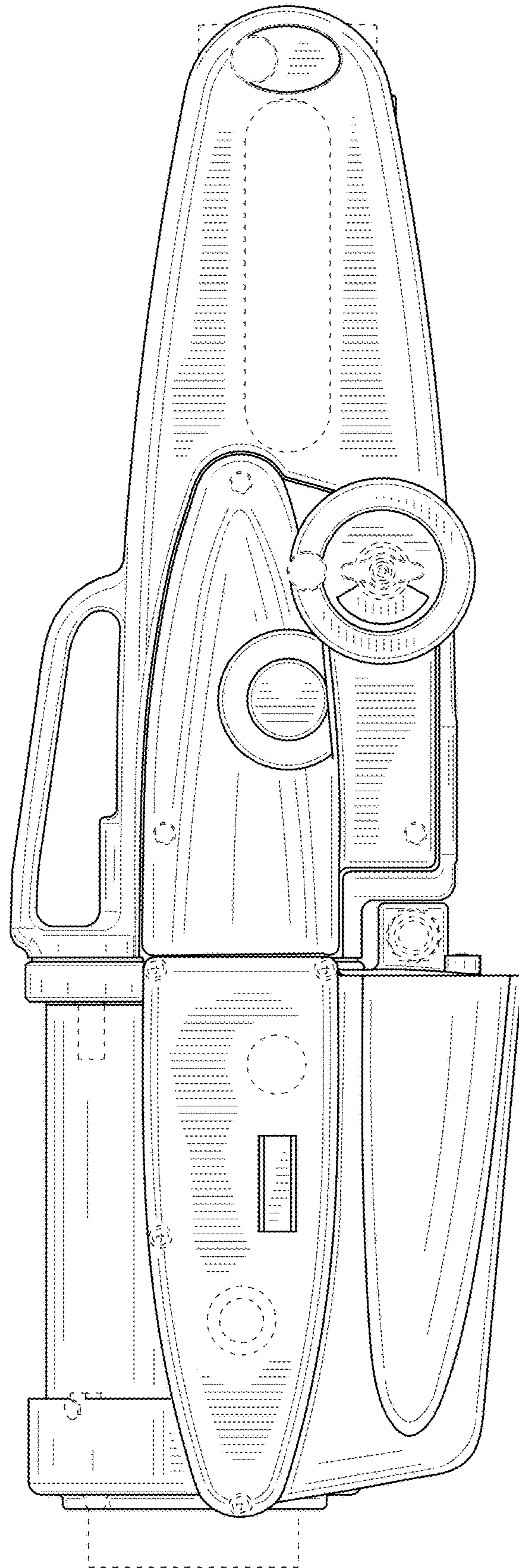


FIG. 3

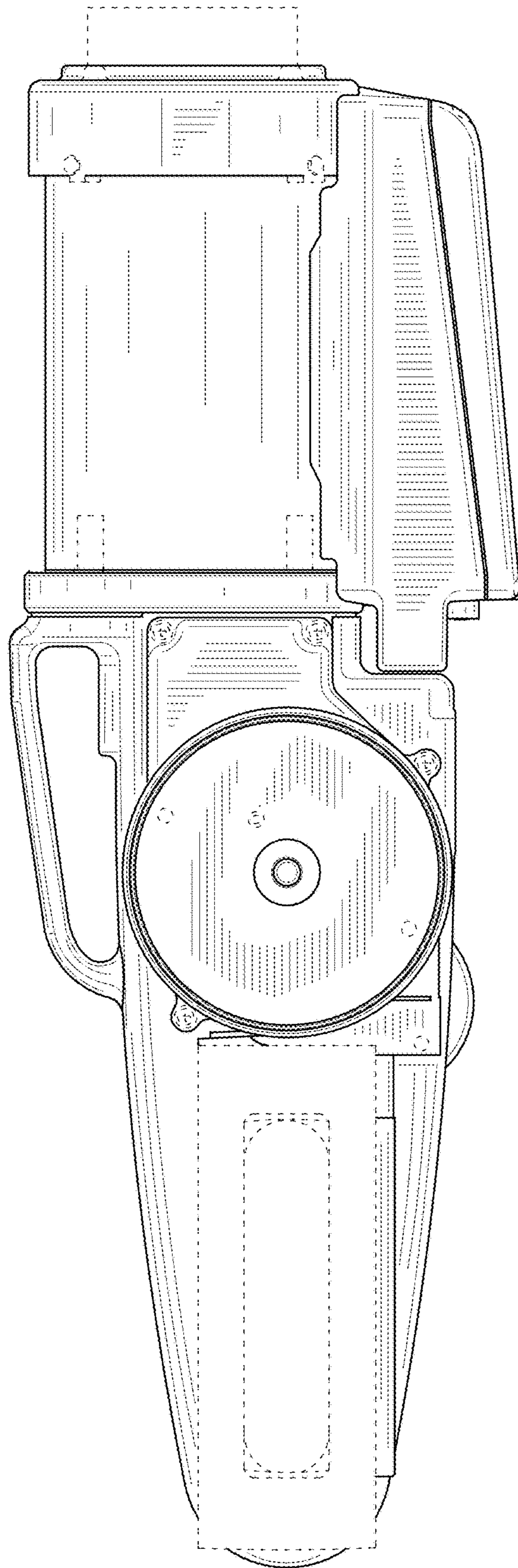


FIG. 4

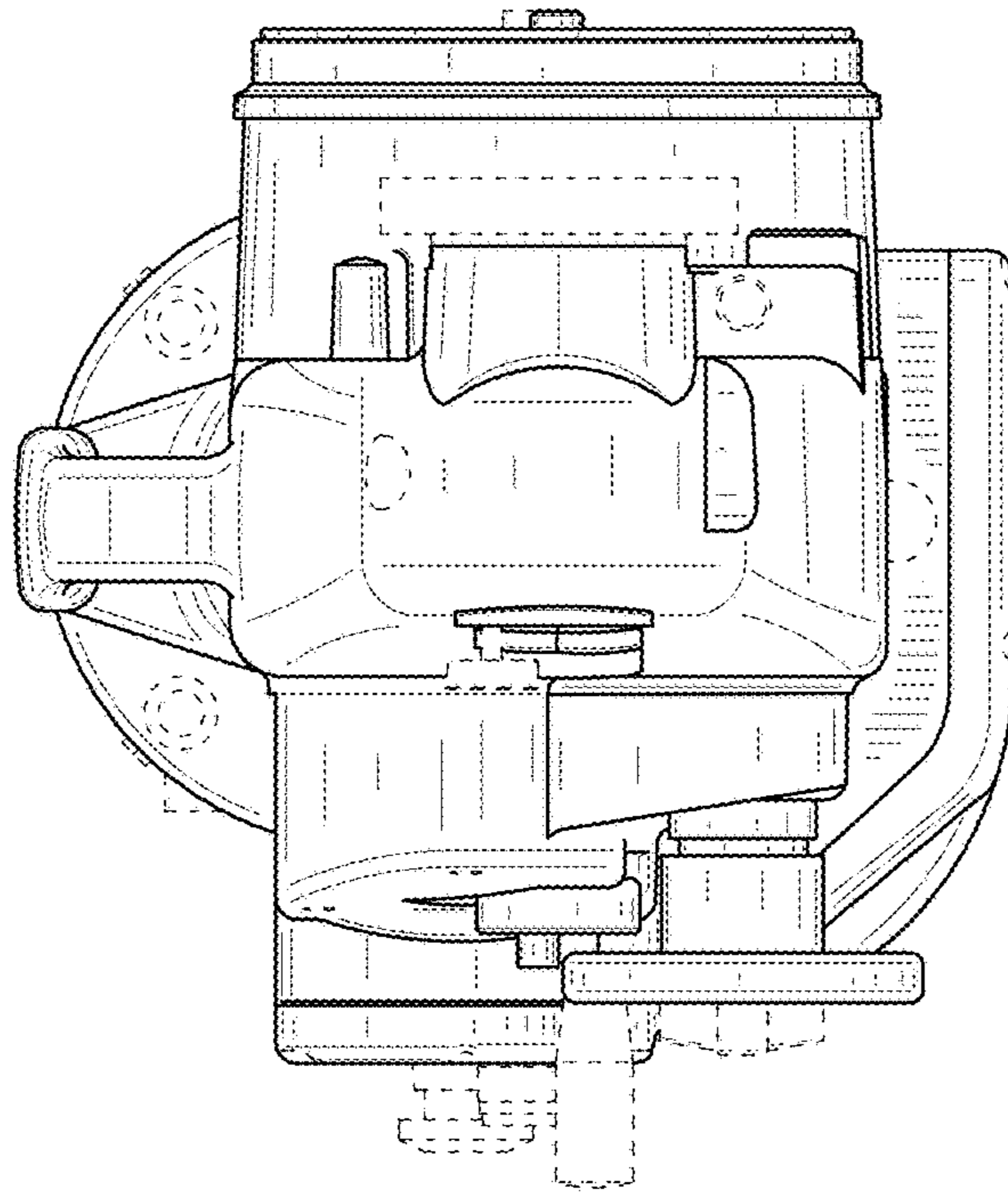


FIG. 6

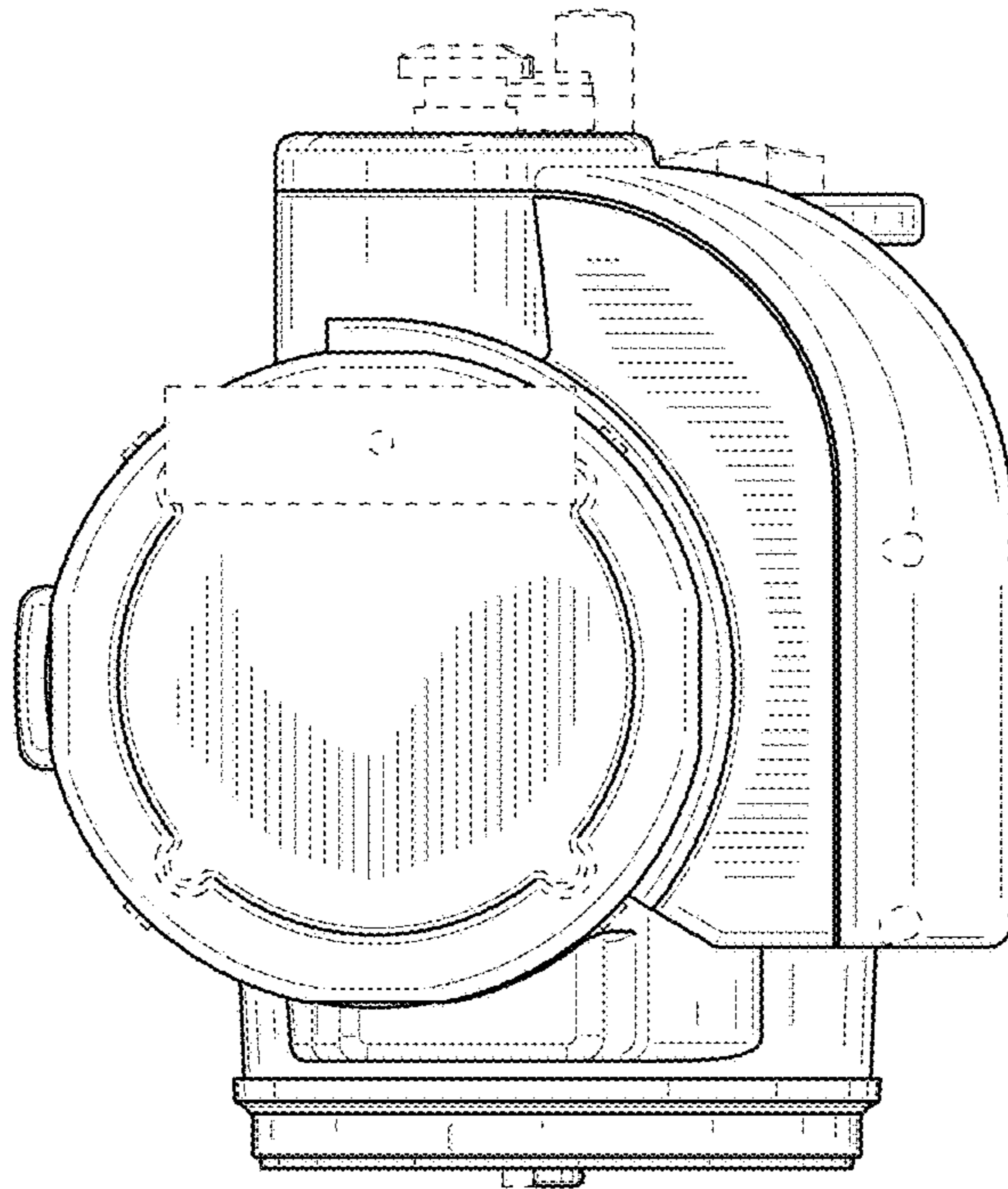


FIG. 5

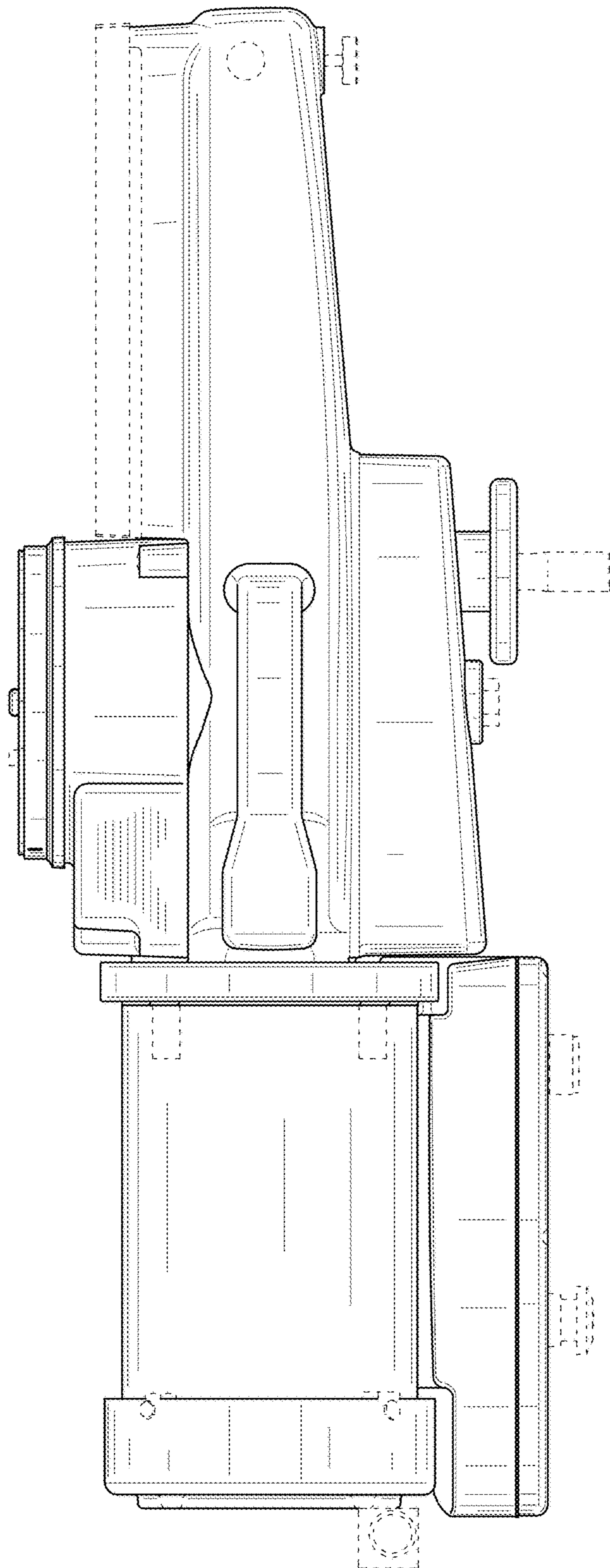


FIG. 7

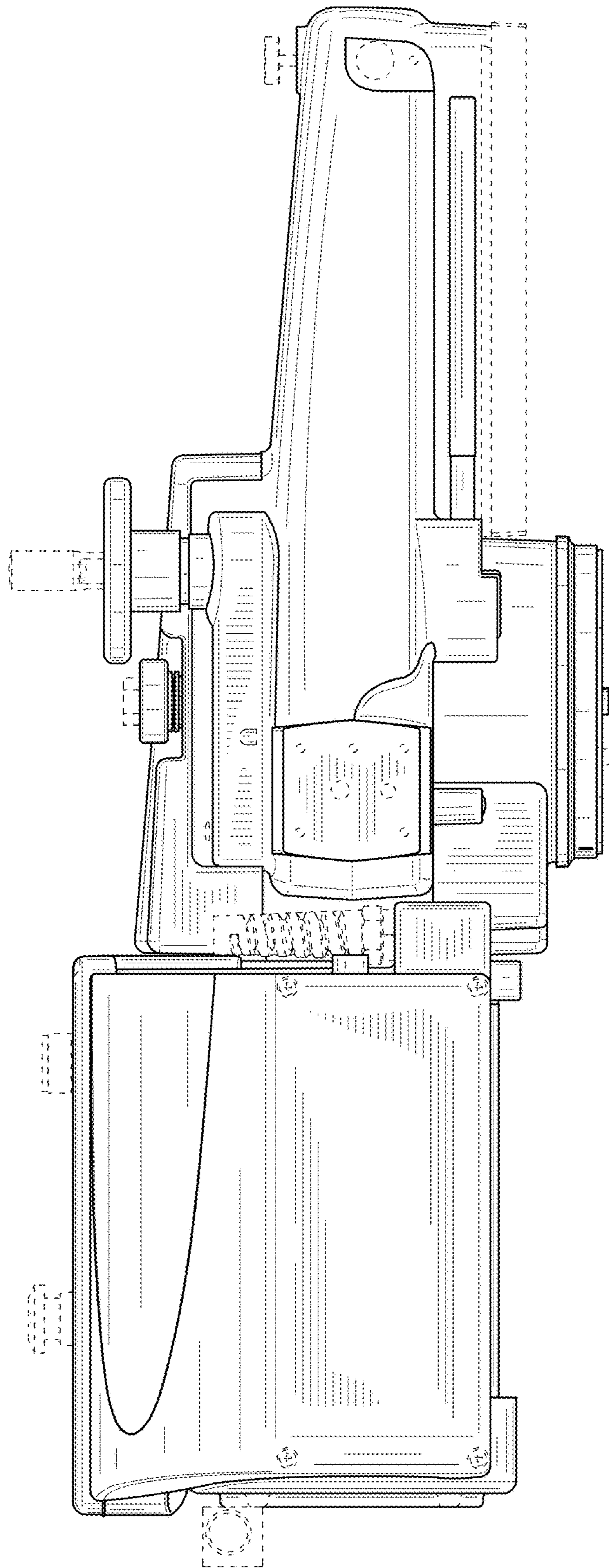


FIG. 8