

US00D820890S

(12) **United States Design Patent**
Finamore

(10) **Patent No.:** **US D820,890 S**

(45) **Date of Patent:** **** Jun. 19, 2018**

- (54) **EMBOSSER AND DIE-CUTTER**
- (71) Applicant: **CC International, LLC**, Santa Ana, CA (US)
- (72) Inventor: **Gia Finamore**, Miami Beach, FL (US)
- (73) Assignee: **CC International, LLC**, Santa Ana, CA (US)
- (**) Term: **15 Years**
- (21) Appl. No.: **29/552,150**
- (22) Filed: **Jan. 20, 2016**
- (51) **LOC (11) Cl.** **15-09**
- (52) **U.S. Cl.**
USPC **D15/128**
- (58) **Field of Classification Search**
USPC D15/128, 136, 138; D18/14, 15, 19
CPC .. A61K 9/1694; A61K 9/2095; A61K 9/1617;
A61K 9/1635; A61K 9/1641; A61K 9/1688; A61K 9/2081; A61K 9/5026;
A61K 31/4422; A61K 31/7032; B30B 11/08; B30B 11/005; B30B 15/0082;
B30B 15/0023; B30B 15/065; B30B 15/281; B30B 15/302; B30B 15/304;
B26F 2001/4418; B26F 1/42; B26F 1/38;
B26D 1/405; B26D 2007/0093
See application file for complete search history.

- D585,081 S * 1/2009 Corcoran D15/128
- 8,960,415 B2 * 2/2015 Simonsen B32B 37/0053
198/624
- D791,071 S * 7/2017 Tsui D13/107
- 2003/0098123 A1 * 5/2003 Miller B32B 37/226
156/300
- 2005/0253324 A1 * 11/2005 Corcoran B26F 1/42
271/15
- 2005/0268761 A1 * 12/2005 Corcoran B26D 7/2614
83/13
- 2011/0280999 A1 * 11/2011 Crystal A21C 15/002
426/231
- 2013/0269549 A1 * 10/2013 Tse B44B 5/0004
101/3.1
- 2017/0324267 A1 * 11/2017 Decker H02J 7/025

* cited by examiner

Primary Examiner — Rosemary K Tarcza
Assistant Examiner — Nathaniel D. Buckner
(74) *Attorney, Agent, or Firm* — Economou Silfin LLP

(57) **CLAIM**

The ornamental design for an embosser and die-cutter, as shown and described.

DESCRIPTION

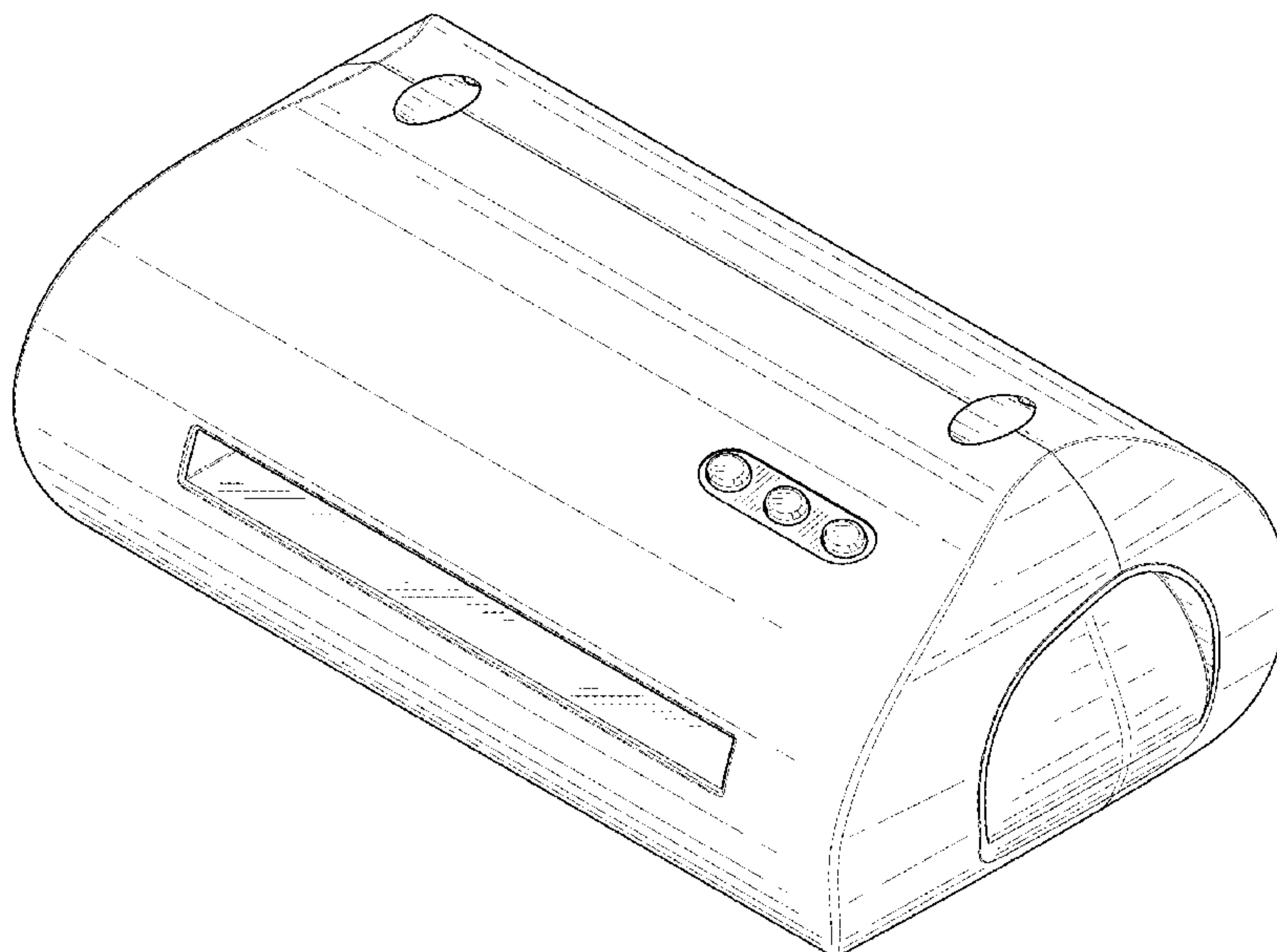
FIG. 1 is a perspective view of an embosser and die cutter showing my new design;
FIG. 2 is a second perspective view thereof;
FIG. 3 is a third perspective view thereof;
FIG. 4 is a front elevation view thereof;
FIG. 5 is a rear elevation view thereof;
FIG. 6 is a left side elevation view thereof;
FIG. 7 is a right side elevation view thereof;
FIG. 8 is a top plan view thereof; and,
FIG. 9 is a bottom plan view thereof.
The broken lines in the figures represent portions of the article which form no part of the claim.

1 Claim, 8 Drawing Sheets

(56) **References Cited**

U.S. PATENT DOCUMENTS

- 7,104,304 B2 * 9/2006 Ensign, Jr. B32B 37/26
156/555
- D540,834 S * 4/2007 Ayala D15/136
- D547,339 S * 7/2007 Ayala D15/136
- 7,464,631 B2 * 12/2008 Nottingham B26F 1/42
100/176



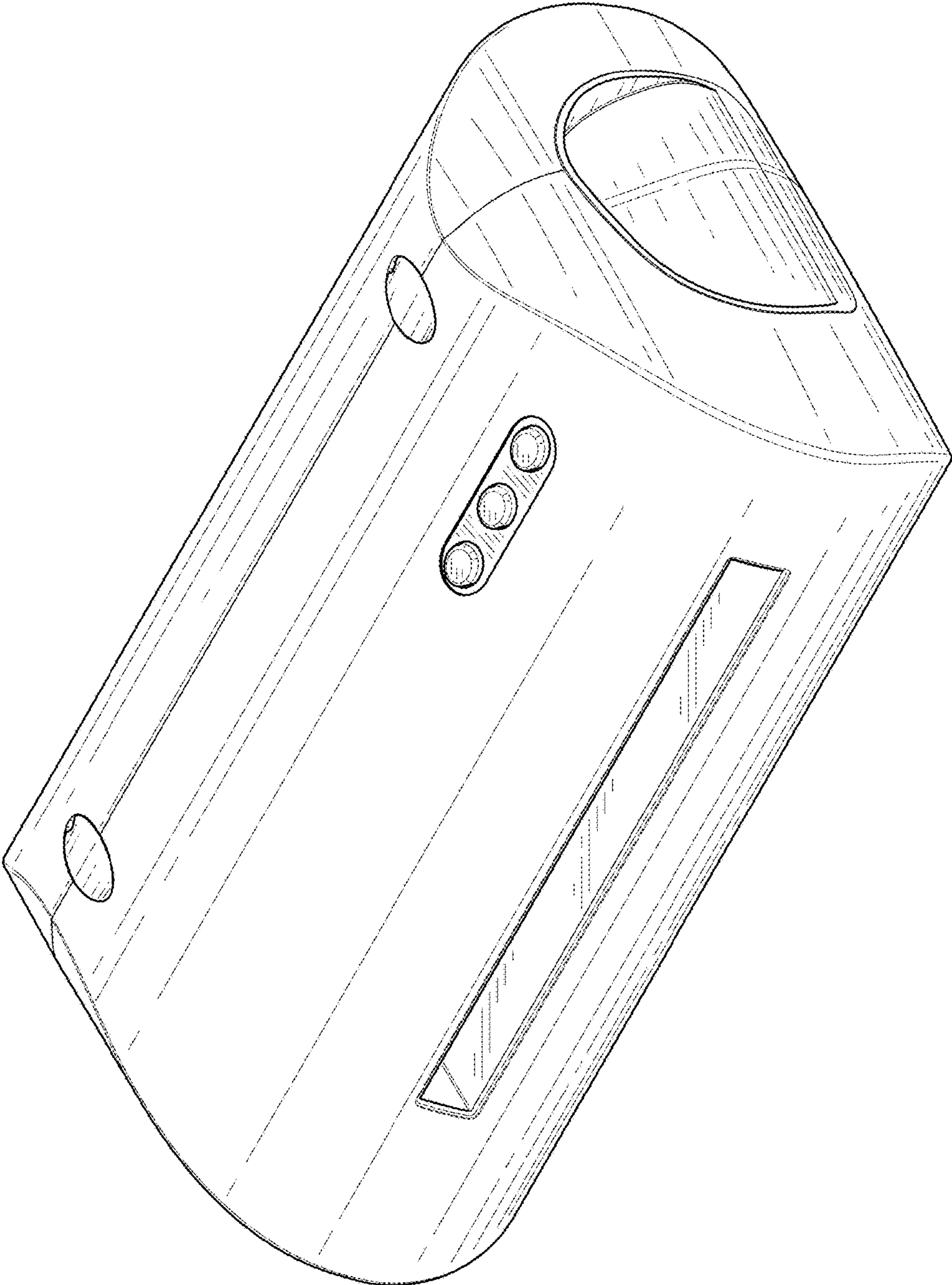


FIG. 1

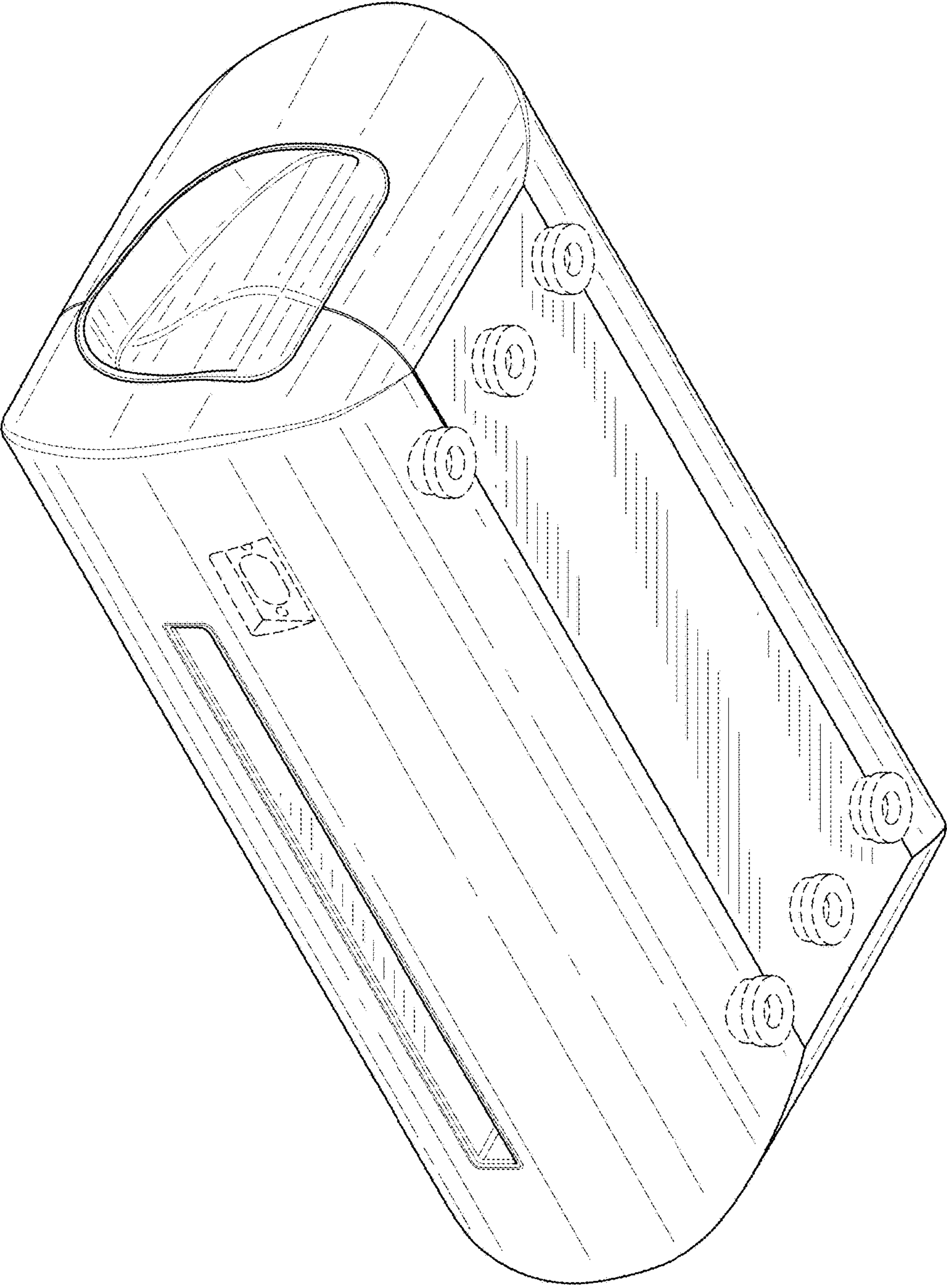


FIG. 2

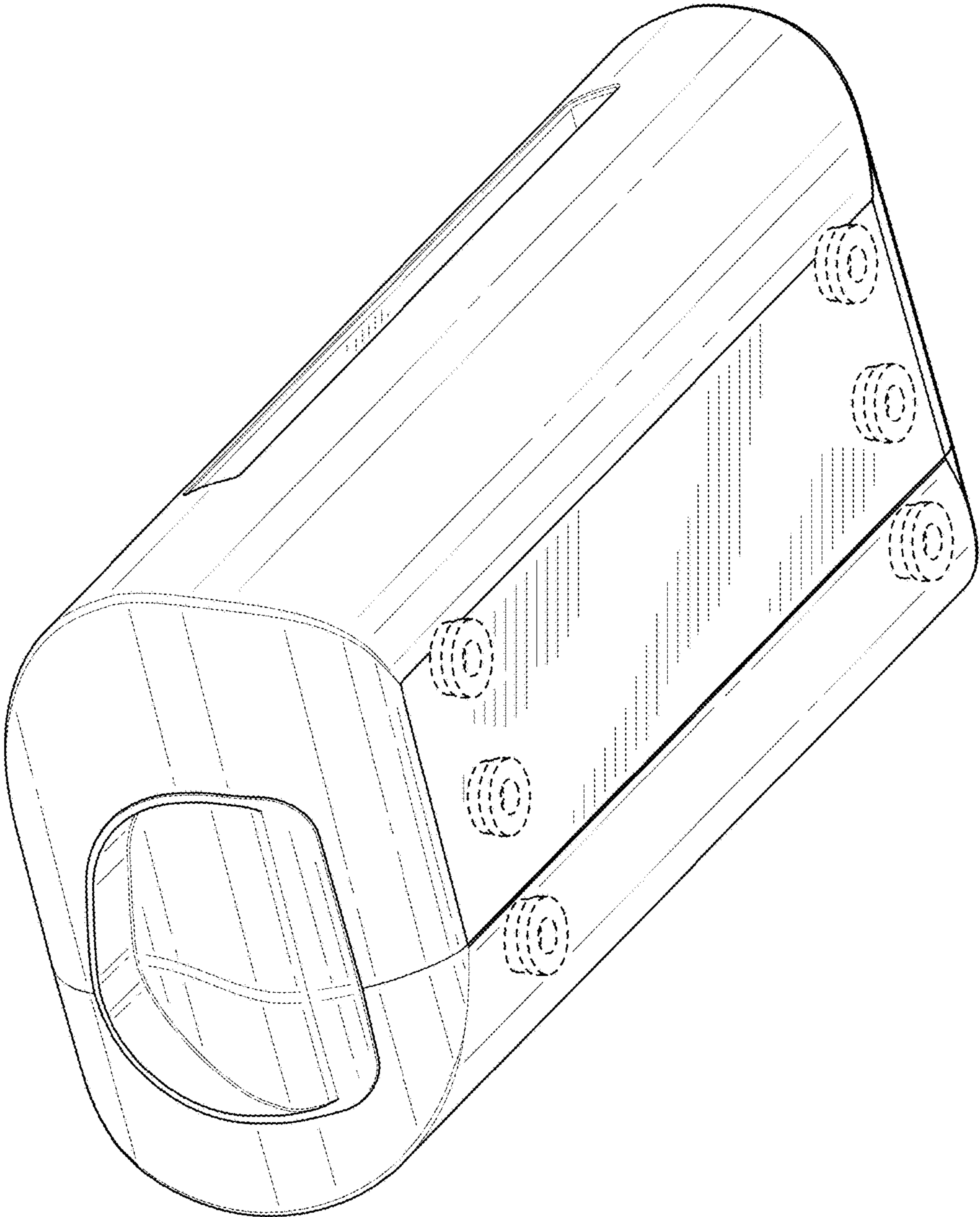


FIG. 3

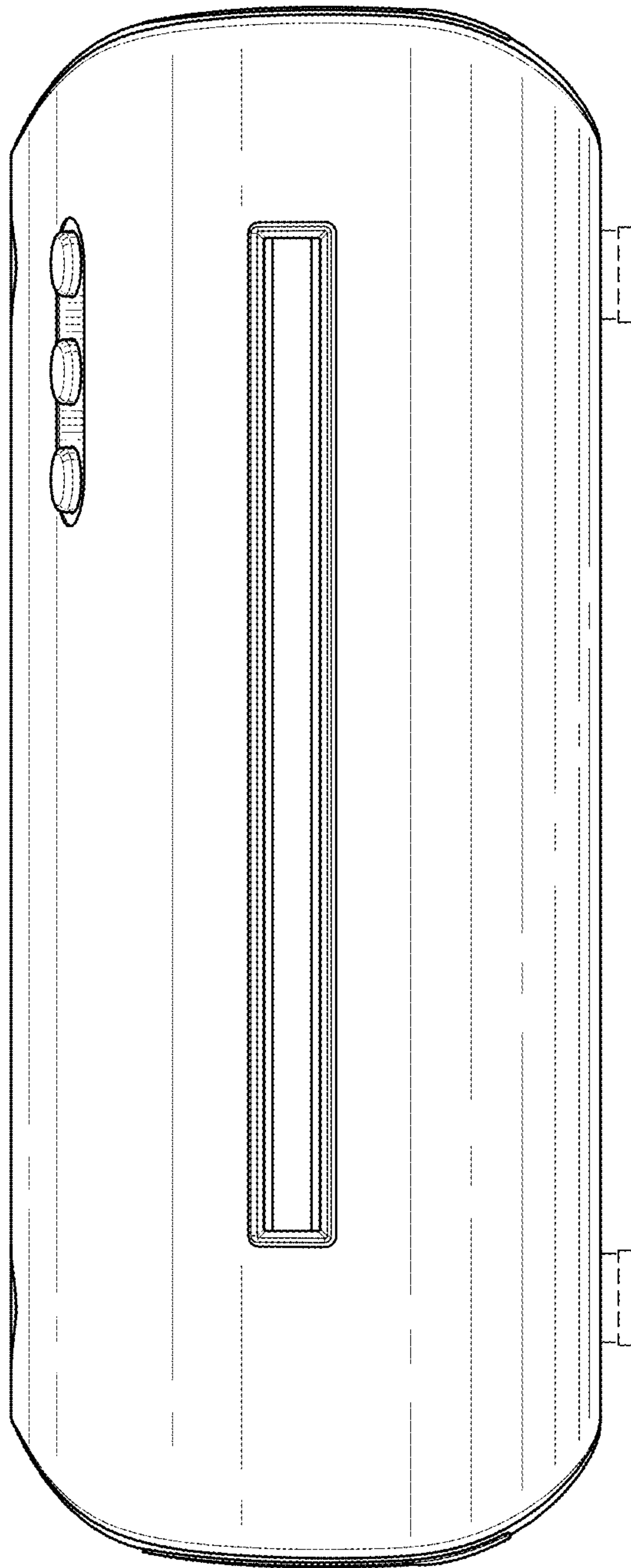


FIG. 4

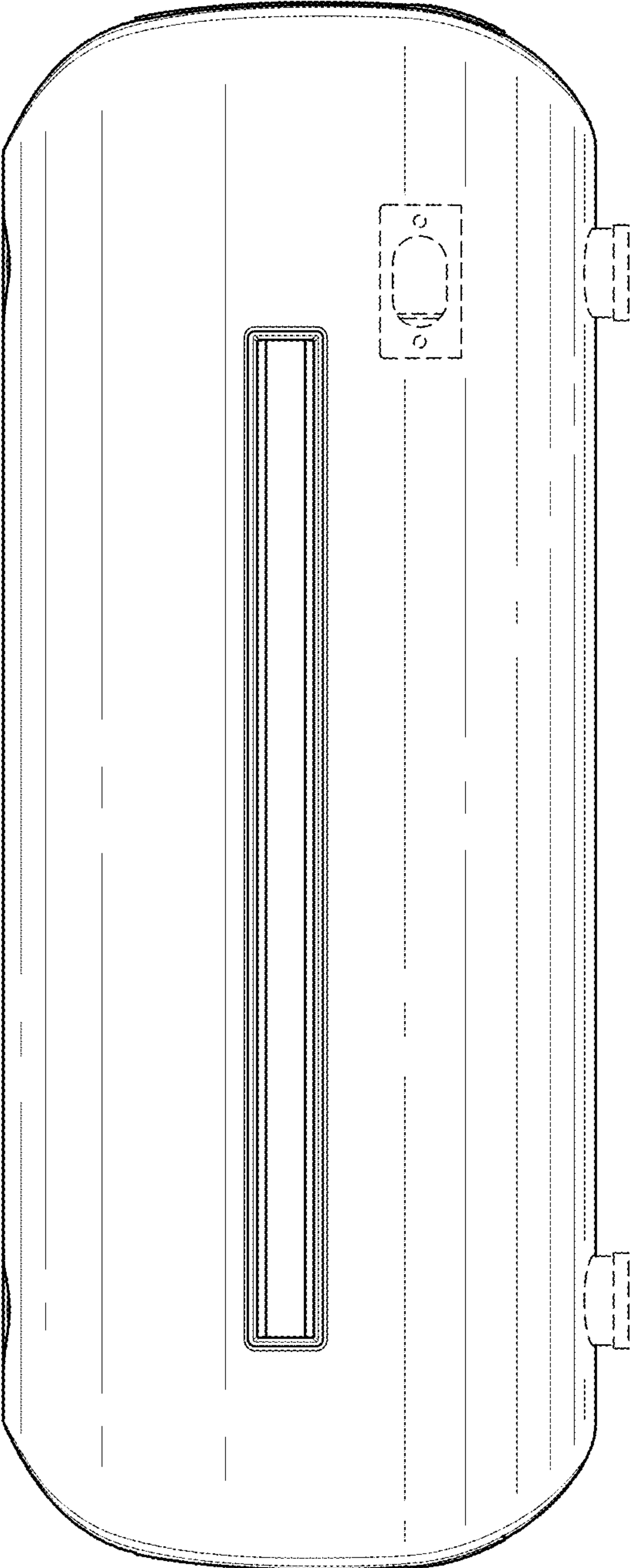


FIG. 5

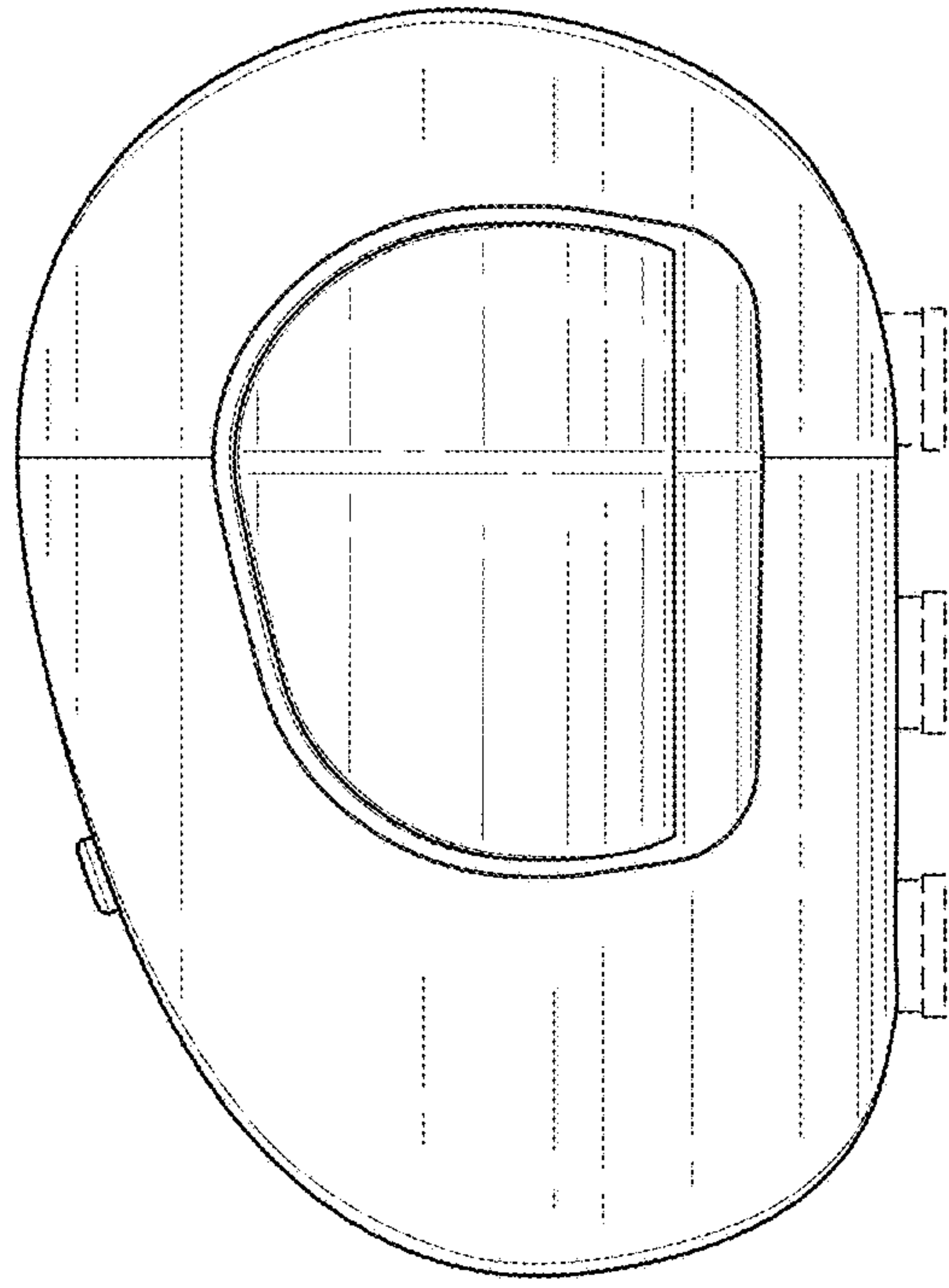


FIG. 6

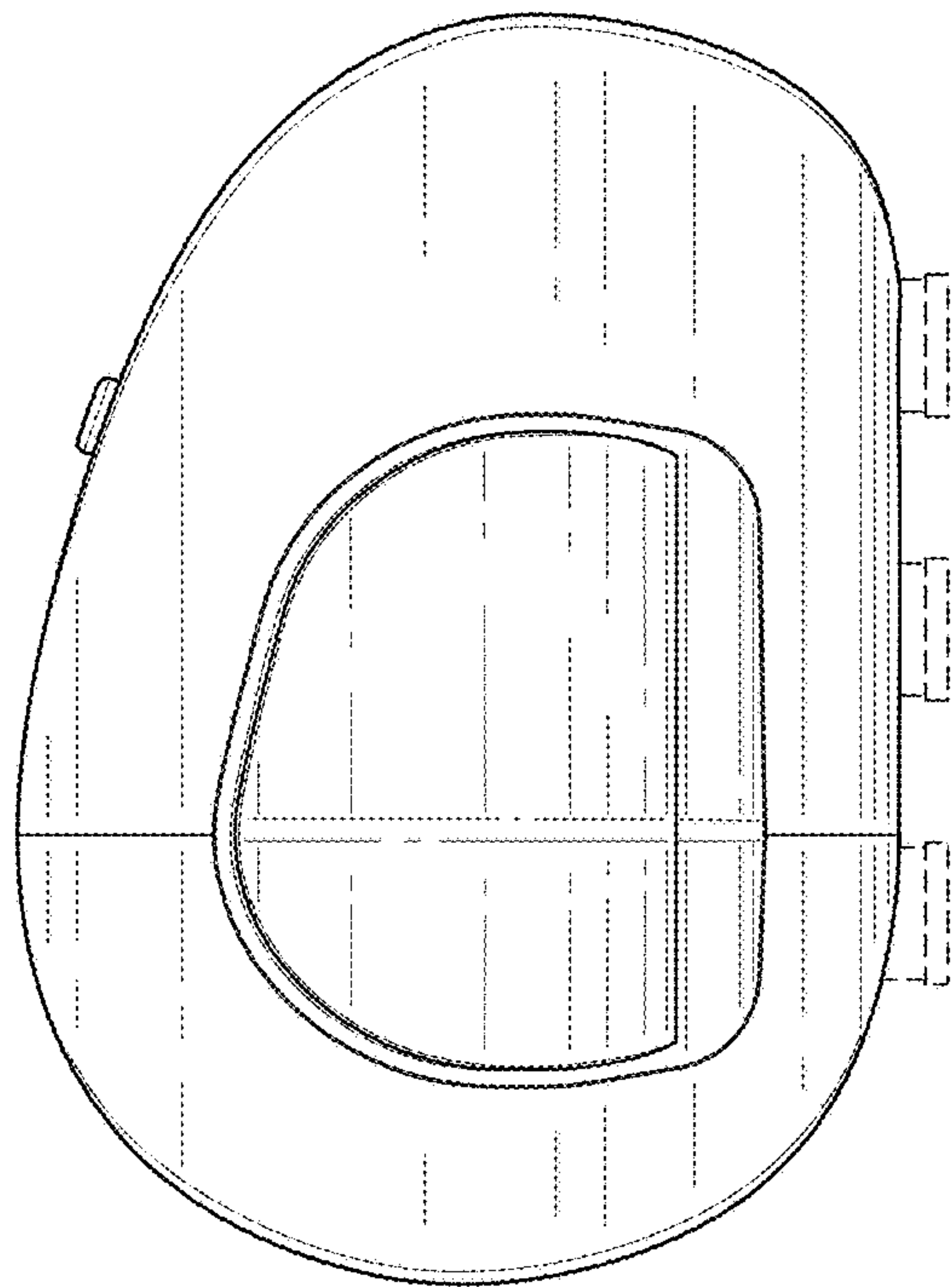


FIG. 7

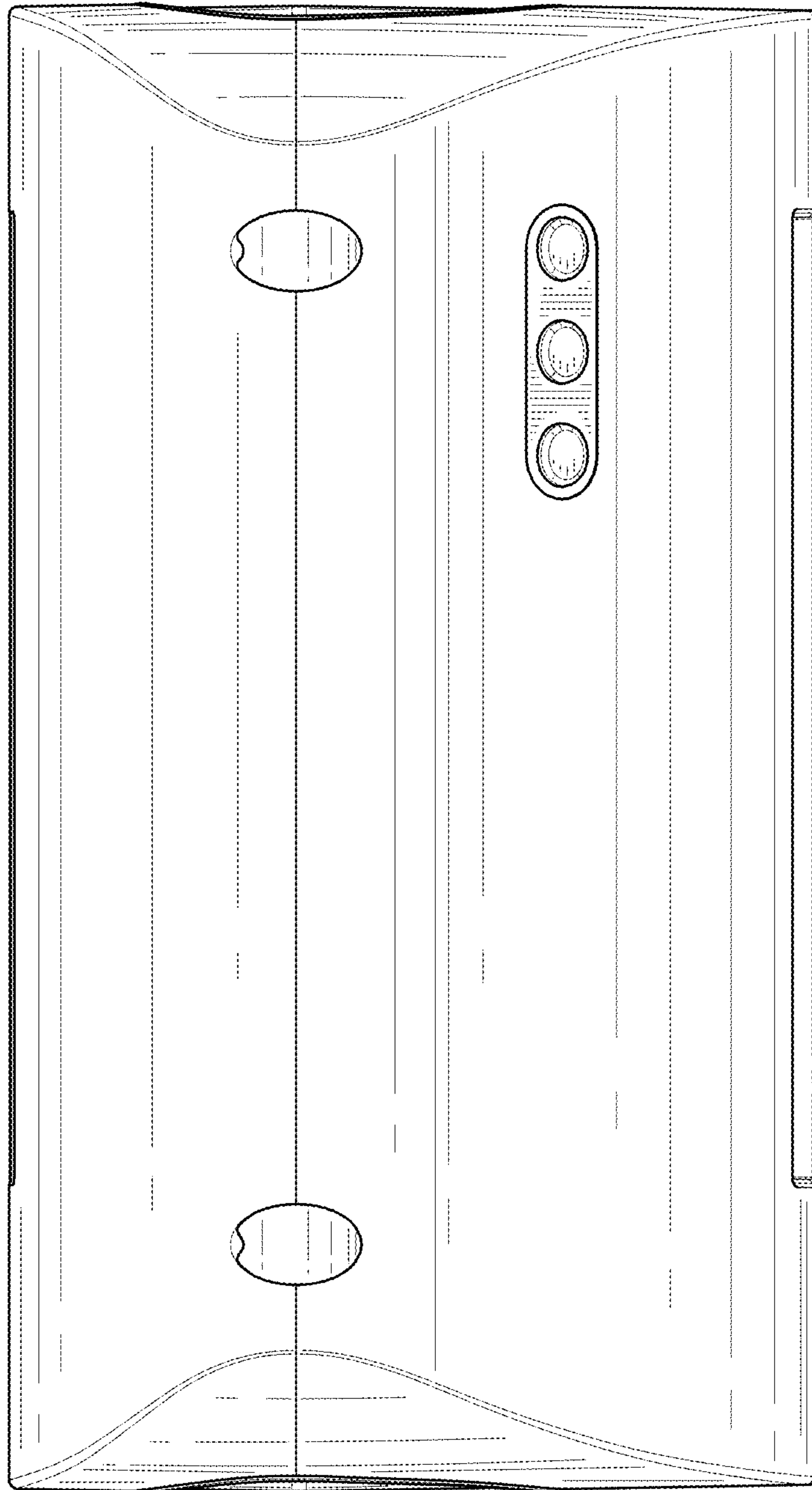


FIG. 8

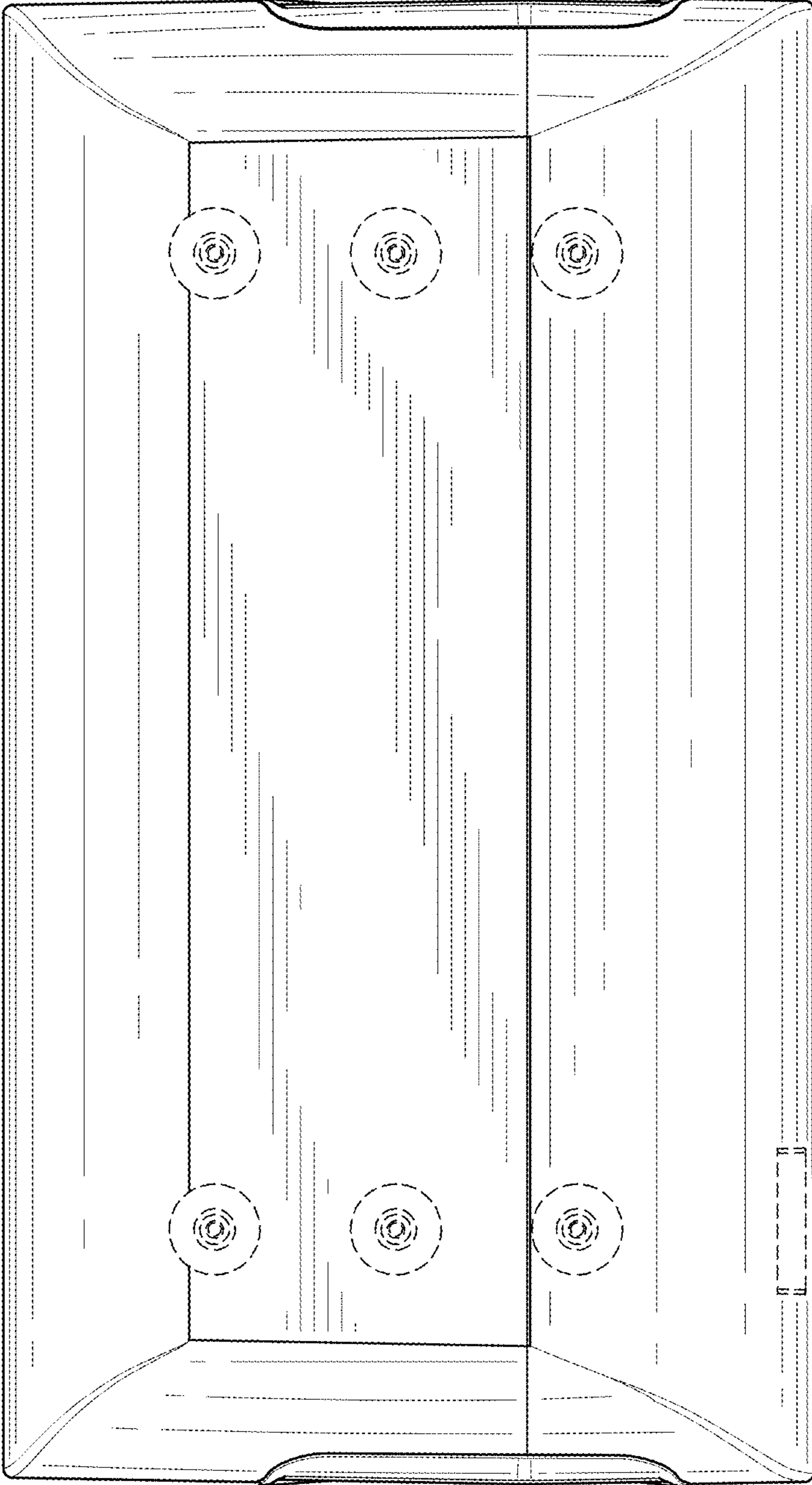


FIG. 9