



US00D820889S

(12) **United States Design Patent** (10) **Patent No.:** **US D820,889 S**
Yoon et al. (45) **Date of Patent:** **** Jun. 19, 2018**

(54) **REFRIGERATOR DOOR**

(56) **References Cited**

(71) Applicant: **Samsung Electronics Co., Ltd.**,
Suwon-si (KR)

(72) Inventors: **Byeong-Cheol Yoon**, Suwon-si (KR);
Daekyun Lee, Suwon-si (KR)

(73) Assignee: **Samsung Electronics Co., Ltd.**,
Suwon-si (KR)

(**) Term: **15 Years**

U.S. PATENT DOCUMENTS

D730,958 S *	6/2015	Choi	D15/91
D738,941 S *	9/2015	Shin	D15/91
D760,820 S *	7/2016	Lee	D15/91
D760,823 S *	7/2016	Lee	D15/91
D761,336 S *	7/2016	Lee	D15/91
D768,738 S *	10/2016	Lee	D15/91
D768,739 S *	10/2016	Lee	D15/91
D769,948 S *	10/2016	Lee	D15/91
D783,691 S *	4/2017	Kim	D15/91

* cited by examiner

(21) Appl. No.: **29/600,417**

Primary Examiner — Ian Simmons

(22) Filed: **Apr. 12, 2017**

Assistant Examiner — Khawaja Anwar

Related U.S. Application Data

(74) *Attorney, Agent, or Firm* — NSIP Law

(63) Continuation of application No. 29/567,085, filed on Jun. 6, 2016, now Pat. No. Des. 798,347.

(51) **LOC (11) Cl.** **15-07**

(57) **CLAIM**

(52) **U.S. Cl.**

We claim the ornamental design for a refrigerator door, as shown and described.

USPC **D15/91**

(58) **Field of Classification Search**

DESCRIPTION

USPC D15/79-91

CPC F25D 25/025; F25D 23/028; F25D

2323/024; F25D 23/00; F25D 23/02;

F25D 2323/021; F25D 23/065; F25D

11/00; F25D 2201/14; F25D 23/021;

F25D 23/025; F25D 23/04; F25D 27/00;

F25D 23/062; F25D 23/067; F25D

2400/18; F25D 23/08; F25D 23/085;

F25D 2500/02; F25D 25/00; F25D

25/005; F25D 25/022; F25D 25/024;

F25D 17/047; F25D 2317/041; F25D

2317/04131; F25D 2317/043; F25D

2317/0664; F25D 2321/147; F25D

2323/02; F25D 2323/023

FIG. 1 is the front perspective view of a refrigerator door showing our new design;

FIG. 2 is the front view thereof;

FIG. 3 is the rear view thereof;

FIG. 4 is the left-side view thereof;

FIG. 5 is the right-side view thereof;

FIG. 6 is the top plan view thereof; and,

FIG. 7 is the bottom plan view thereof.

The broken lines depict portions of the refrigerator door that form no part of the claimed design. The dot-dash lines in the figures represent an unclaimed boundary line and form no part of the claimed design.

See application file for complete search history.

1 Claim, 6 Drawing Sheets

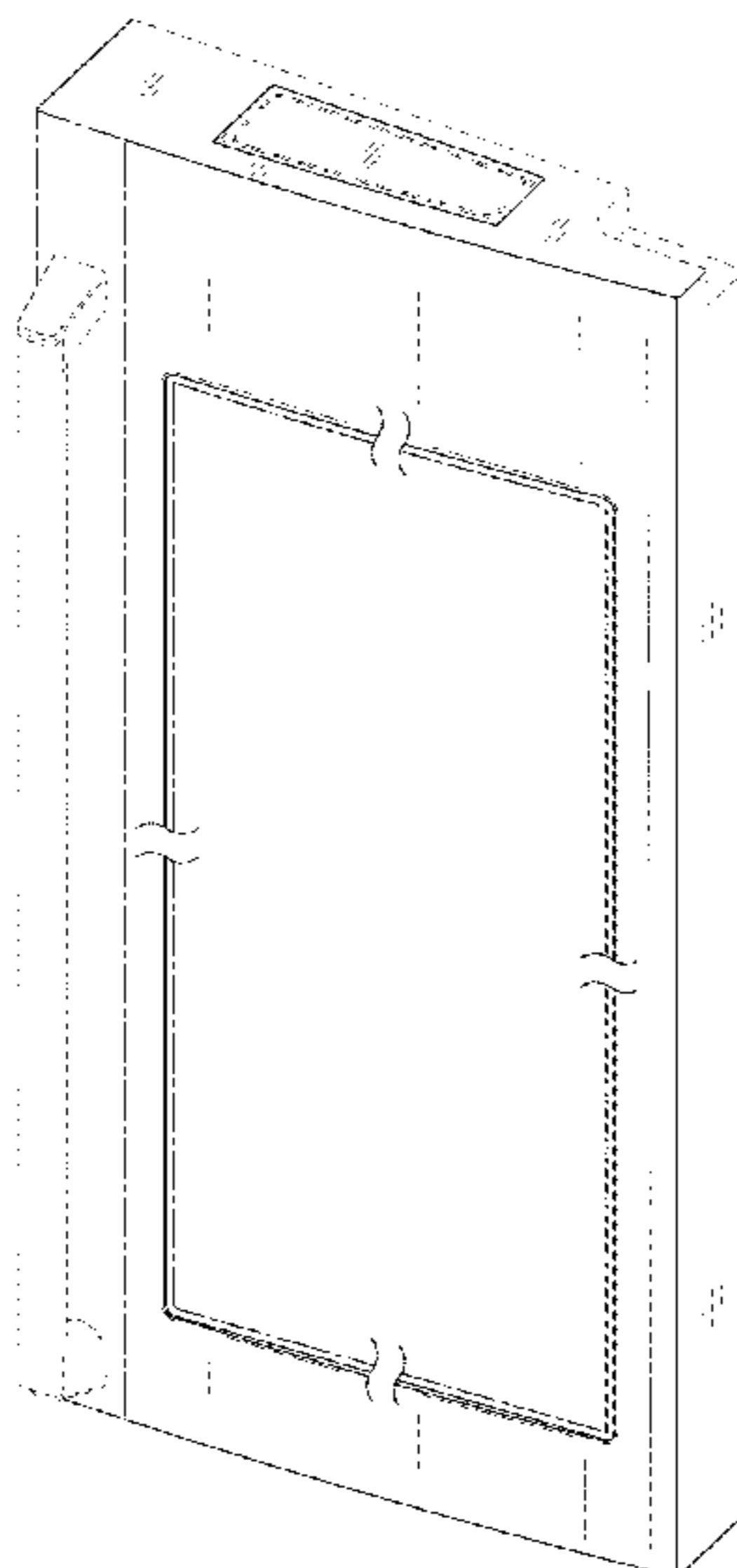


FIG. 1

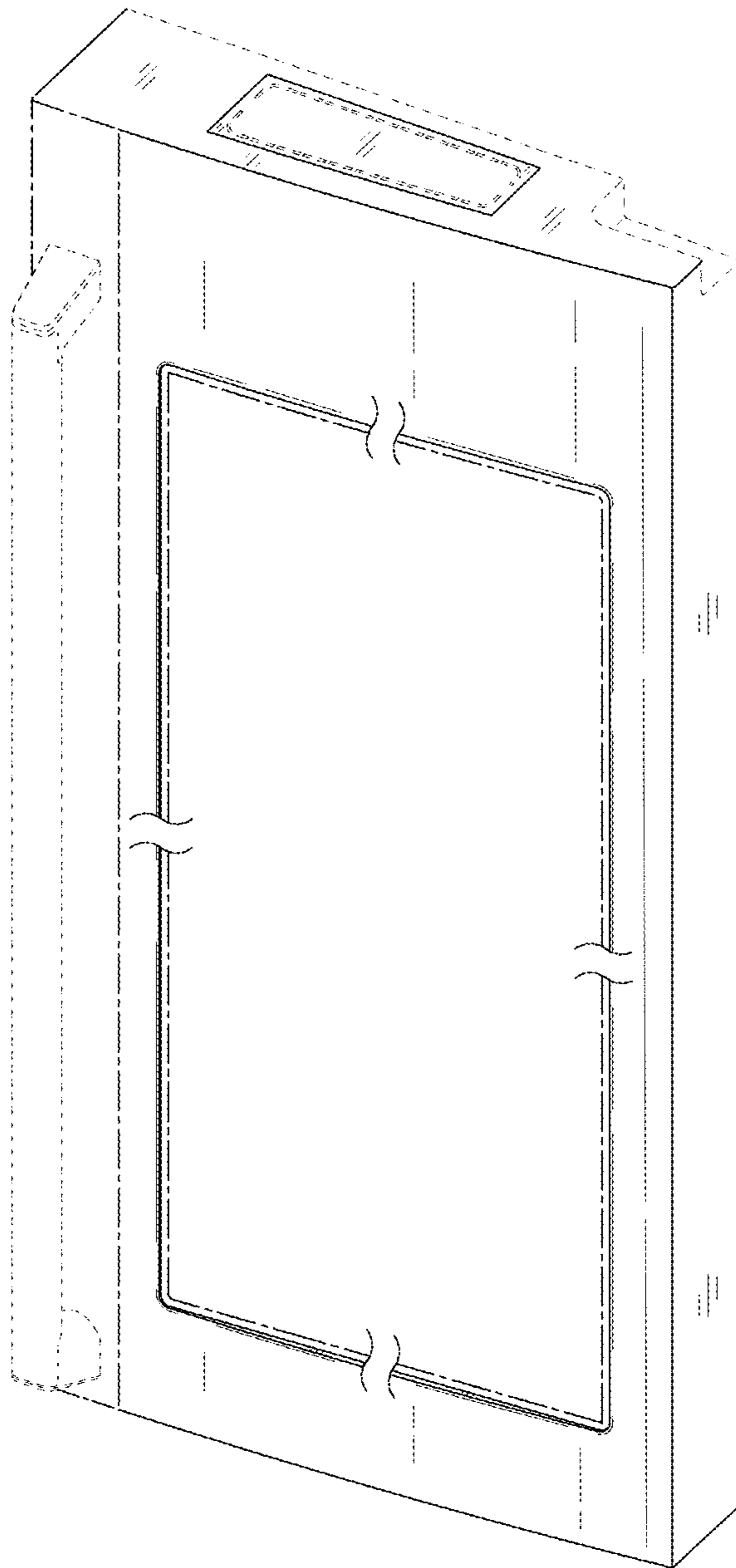


FIG. 2

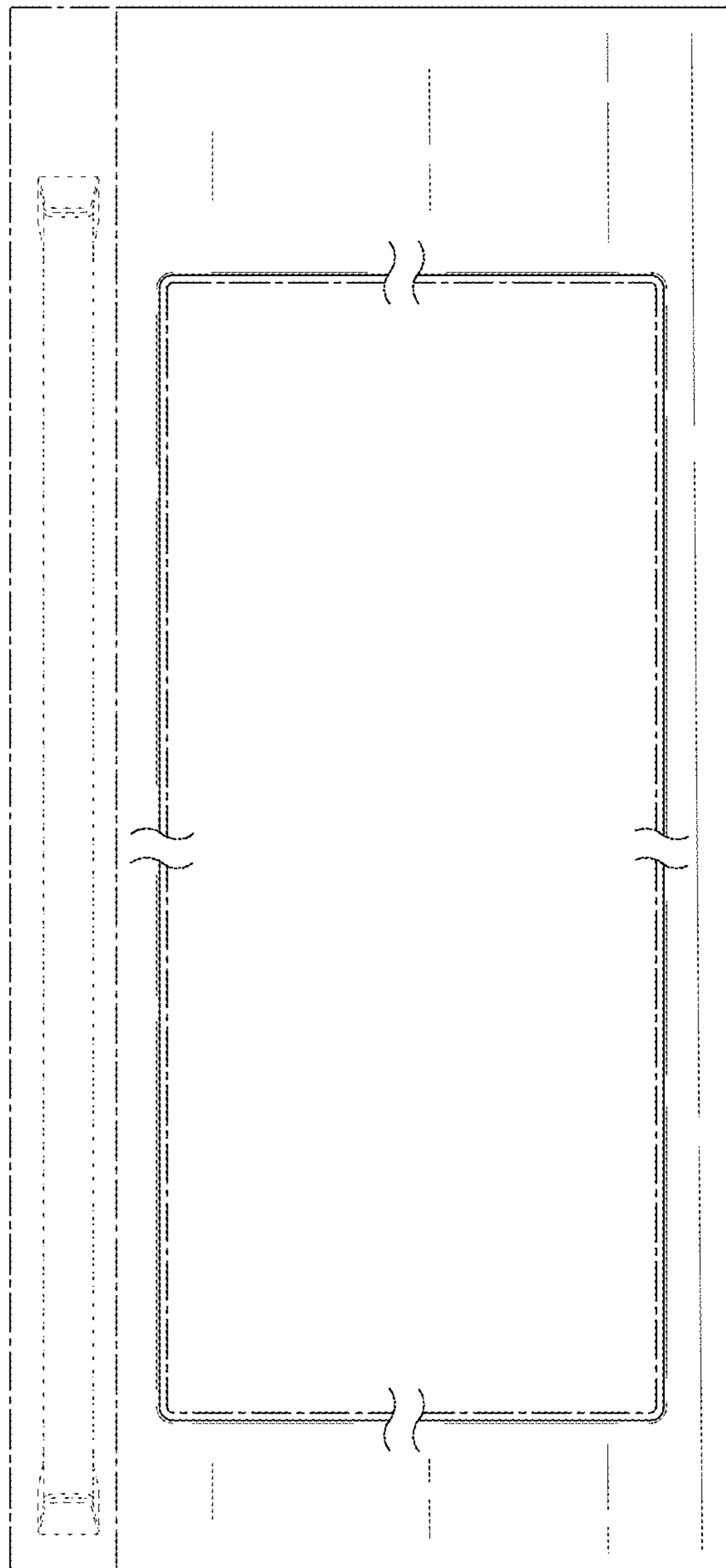


FIG. 3

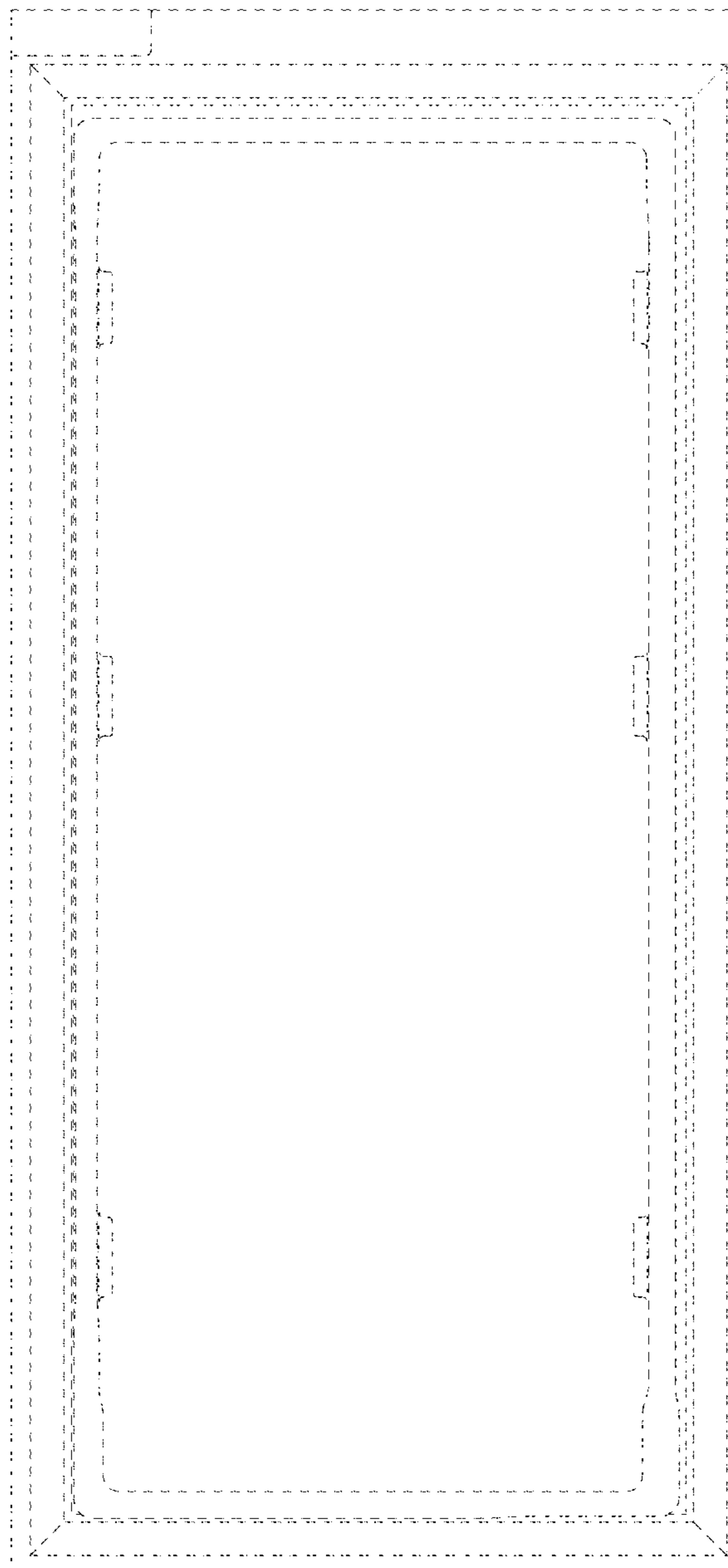


FIG. 4

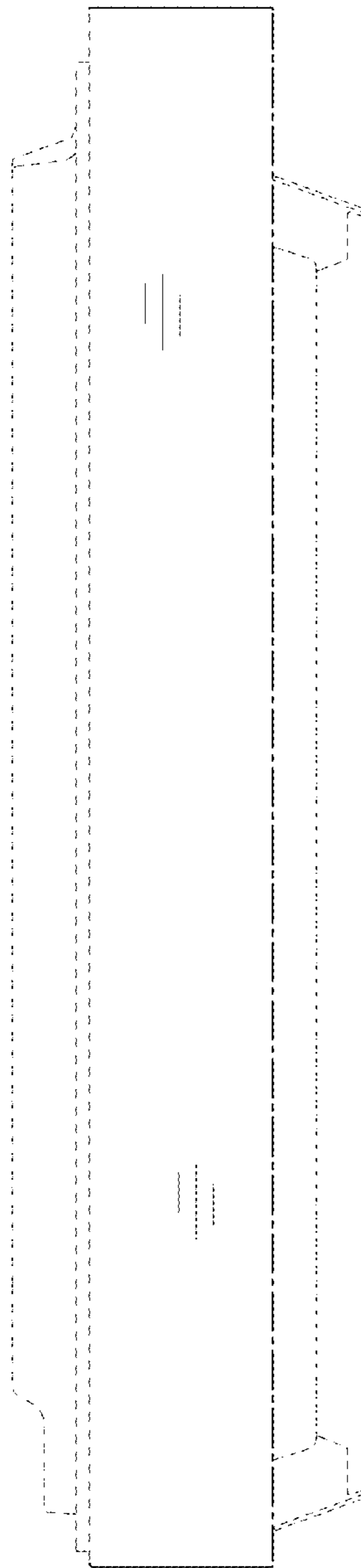


FIG. 5

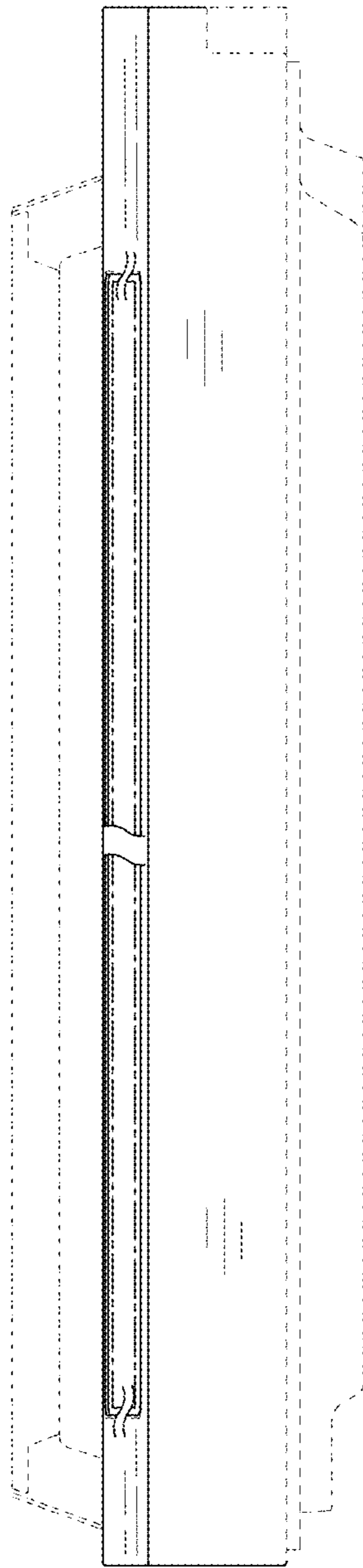


FIG. 6

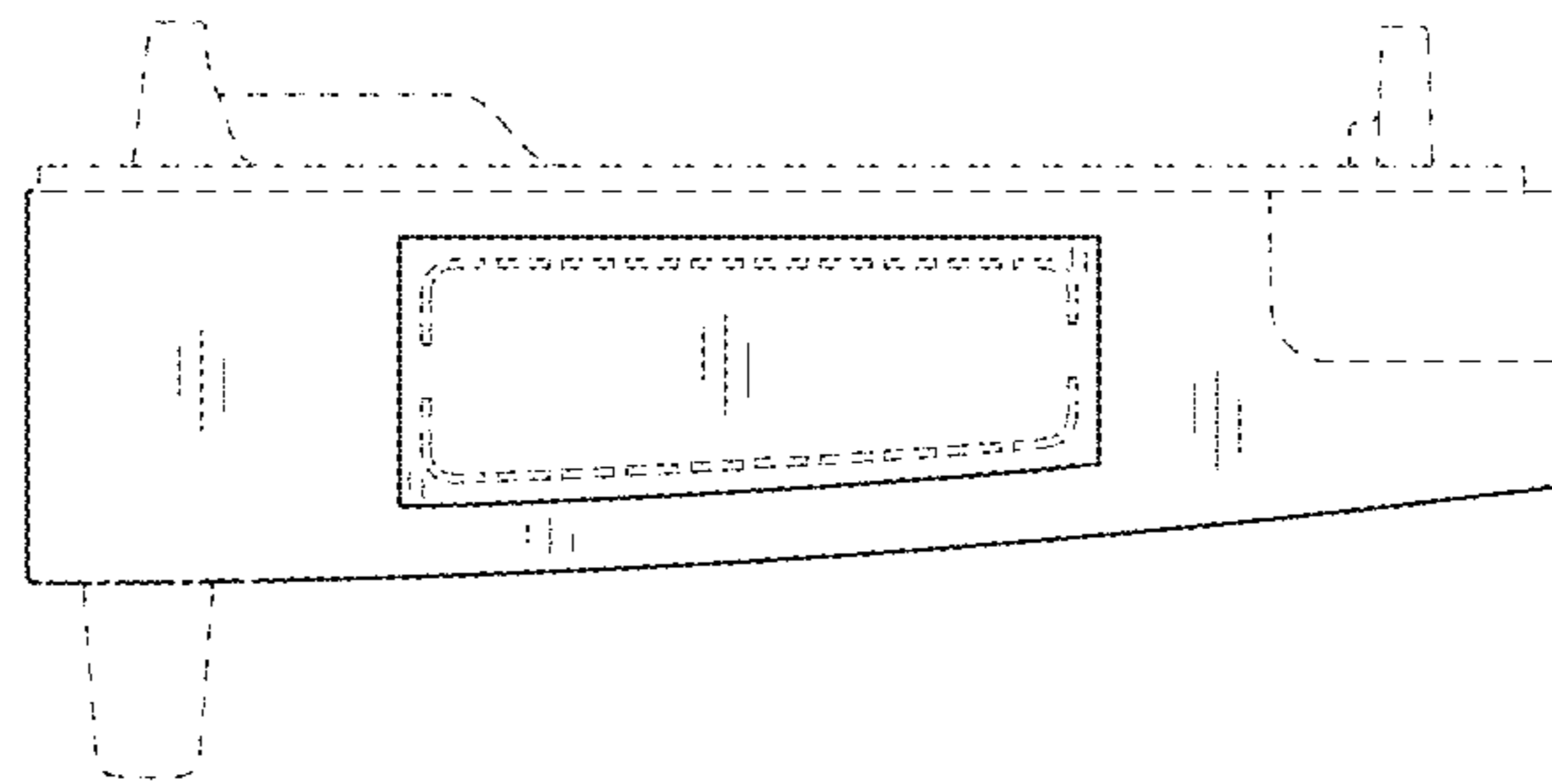


FIG. 7

