



US00D820888S

(12) **United States Design Patent**  
**McConnell**

(10) **Patent No.:** **US D820,888 S**  
(45) **Date of Patent:** **\*\* Jun. 19, 2018**

(54) **FREEZER COMPARTMENT WITH COLOR**

(71) Applicant: **WHIRLPOOL CORPORATION**,  
Benton Harbor, MI (US)

(72) Inventor: **Jessica McConnell**, St. Joseph, MI  
(US)

(73) Assignee: **Whirlpool Corporation**, Benton  
Harbor, MI (US)

(\*\*) Term: **15 Years**

(21) Appl. No.: **29/546,133**

(22) Filed: **Nov. 19, 2015**

**Related U.S. Application Data**

(62) Division of application No. 29/450,217, filed on Mar.  
15, 2013, now Pat. No. Des. 749,152.

(51) **LOC (11) Cl.** ..... **15-07**

(52) **U.S. Cl.**  
USPC ..... **D15/89**

(58) **Field of Classification Search**  
USPC ..... D15/79-91

(Continued)

(56) **References Cited**

**U.S. PATENT DOCUMENTS**

D508,249 S 8/2005 Seok et al.  
D511,177 S 11/2005 Jackovin et al.

(Continued)

*Primary Examiner* — Ian Simmons

*Assistant Examiner* — Khawaja Anwar

(74) *Attorney, Agent, or Firm* — Price Heneveld LLP

(57) **CLAIM**

I claim the ornamental design for a freezer compartment  
with color, as shown and described.

**DESCRIPTION**

FIG. 1 is a perspective view of the outside of a freezer  
compartment with color, showing a first embodiment;

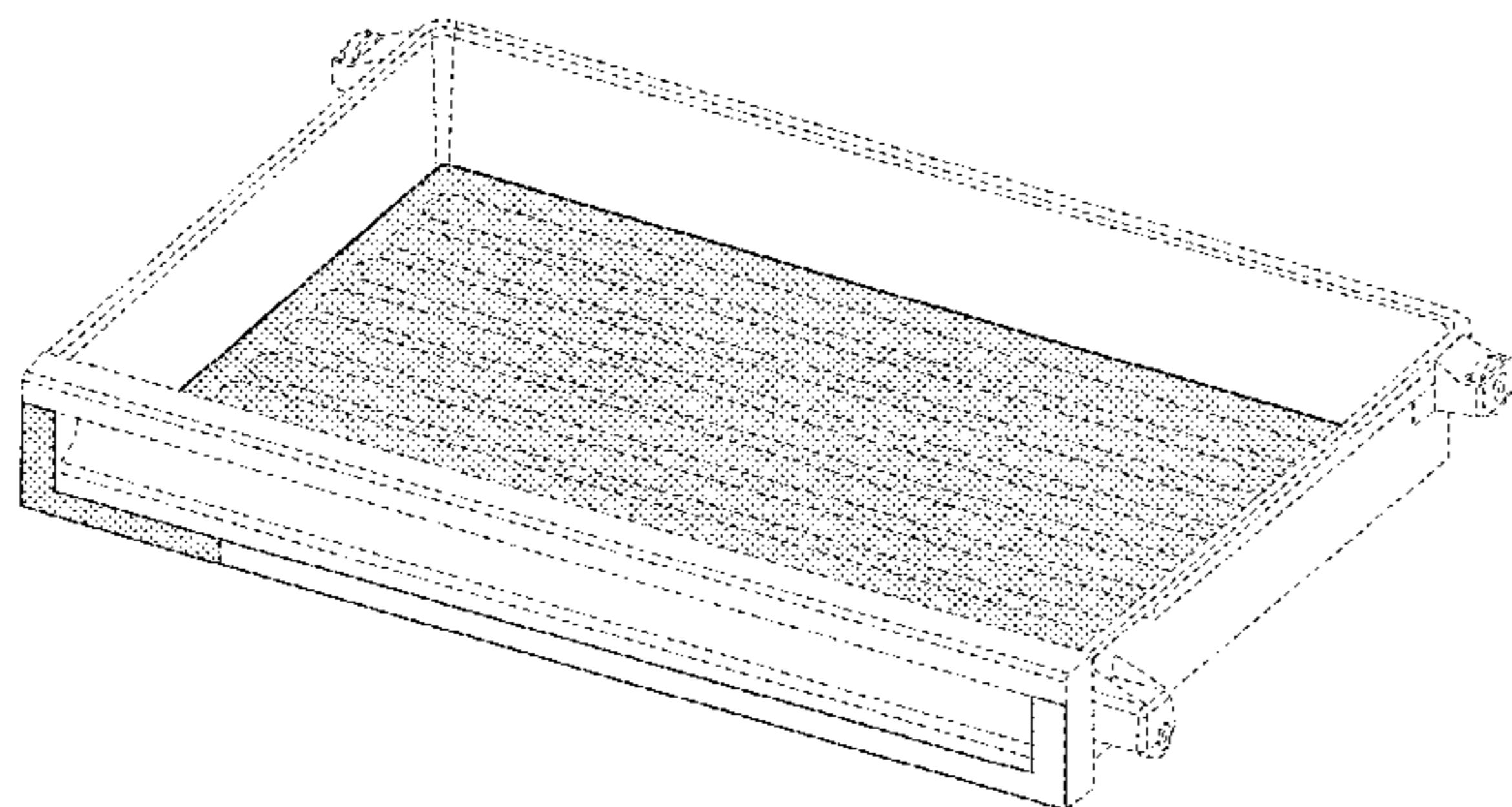


FIG. 2 is a front elevation view thereof;  
FIG. 3 is a right side elevation view thereof;  
FIG. 4 is a top plan view thereof;  
FIG. 5 is a bottom plan view thereof;  
FIG. 6 is a front perspective view of the freezer compart-  
ment with color in a closed position with a partially opened  
unclaimed interior;  
FIG. 7 is a front elevation view thereof;  
FIG. 8 is a perspective view of the right side of the partially  
opened unclaimed interior;  
FIG. 9 is a perspective view of the left side of the partially  
opened unclaimed interior;  
FIG. 10 is a perspective view of an isolated element of the  
partially opened unclaimed interior;  
FIG. 11 is a front elevation view thereof;  
FIG. 12 is a perspective view of another isolated element of  
the partially opened unclaimed interior;  
FIG. 13 is a front elevation view thereof;  
FIG. 14 is a front perspective view of the freezer compart-  
ment with color in an open position with a partially opened  
unclaimed interior;  
FIG. 15 is a top perspective view of a freezer compartment  
with color in a partially opened position;  
FIG. 16 is a top perspective view of the interior of the freezer  
drawer of the appliance of FIG. 15 with the intermediate  
drawer thereof in a fully-open configuration and further  
showing the interior of the freezer compartment;  
FIG. 17 is a front perspective view of a portion of the  
intermediate drawer of FIGS. 15 and 16 shown, for refer-  
ence purposes, in isolation from the remaining portions of  
the appliance of the present embodiment to further illustrate  
a corresponding portion of the interior of the freezer com-  
partment;  
FIG. 18 is a perspective view of the outside of a freezer  
compartment with color, showing a second embodiment;  
FIG. 19 is a front elevation view thereof;  
FIG. 20 is a right side elevation view thereof;  
FIG. 21 is a top plan view thereof;  
FIG. 22 is a bottom plan view thereof;  
FIG. 23 is a front perspective view of the freezer compart-  
ment with color in a closed position with a partially opened  
unclaimed interior;  
FIG. 24 is a front elevation view thereof;

(Continued)

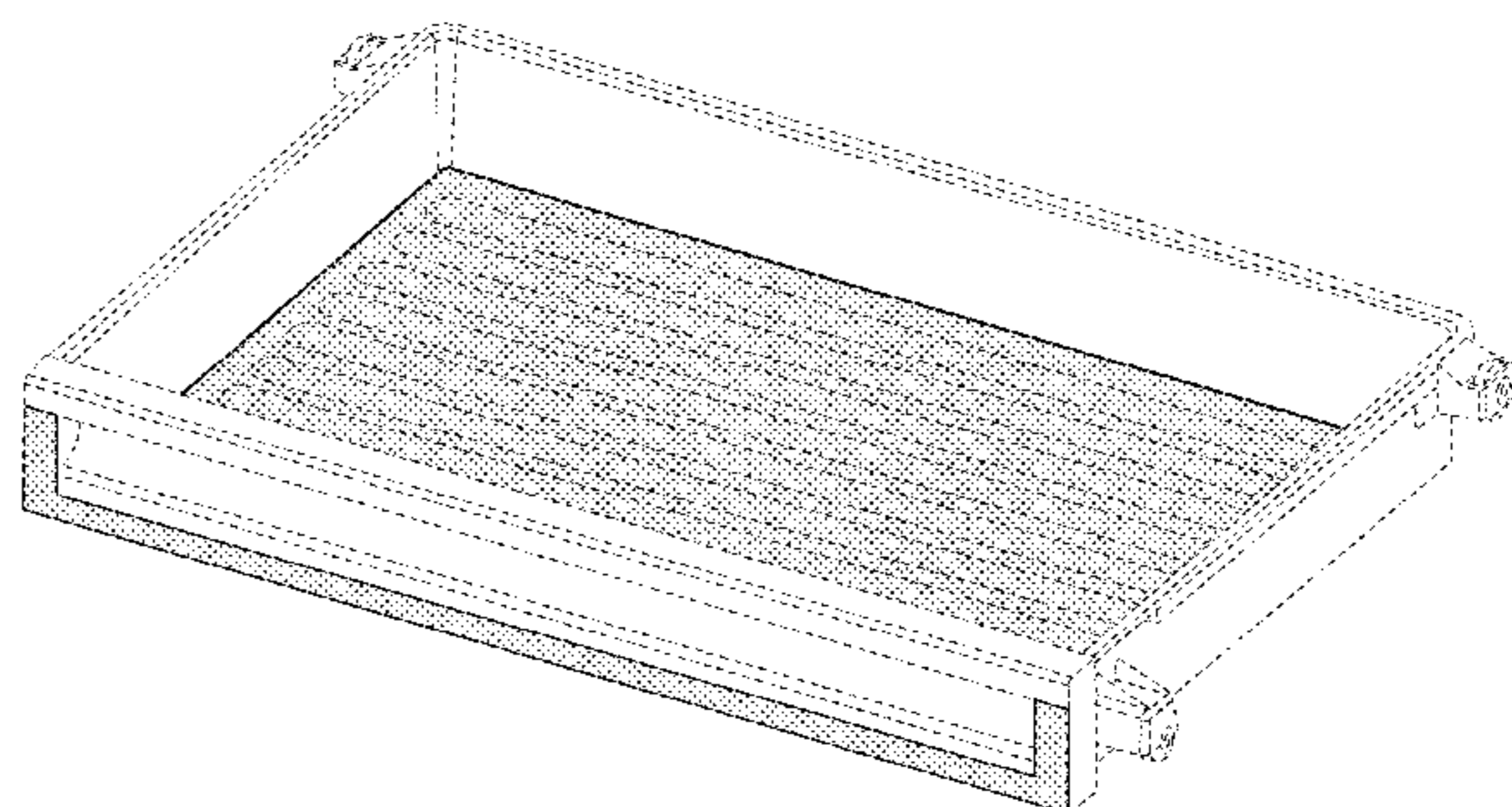




FIG. 25 is a perspective view of the right side of the partially opened unclaimed interior;  
 FIG. 26 is a perspective view of the left side of the partially opened unclaimed interior;  
 FIG. 27 is a perspective view of an isolated element of the partially opened unclaimed interior;  
 FIG. 28 is a front elevation view thereof;  
 FIG. 29 is a perspective view of another isolated element of the partially opened unclaimed interior;  
 FIG. 30 is a front elevation view thereof;  
 FIG. 31 is a front perspective view of the freezer compartment with color in an open position with a partially opened unclaimed interior;  
 FIG. 32 is a perspective view of the freezer compartment with color in a partially opened position;  
 FIG. 33 is a top perspective view of the interior of the freezer drawer of the appliance of FIG. 32 with the intermediate drawer thereof in a fully-open configuration and further showing the interior of the freezer compartment;  
 FIG. 34 is a front perspective view of a portion of the intermediate drawer of FIGS. 32 and 33 shown, for reference purposes, in isolation from the remaining portions of the appliance of the present embodiment to further illustrate a corresponding portion of the interior of the freezer compartment;  
 FIG. 35 is a perspective view of the outside of a freezer compartment with color, showing a third embodiment;  
 FIG. 36 is a front elevation view thereof;  
 FIG. 37 is a right side elevation view thereof;  
 FIG. 38 is a top plan view thereof;  
 FIG. 39 is a bottom plan view thereof;  
 FIG. 40 is a front perspective view of the freezer compartment with color in a closed position with a partially opened unclaimed interior;  
 FIG. 41 is a front elevation view thereof;  
 FIG. 42 is a perspective view of the right side of the partially opened unclaimed interior;  
 FIG. 43 is a perspective view of the left side of the partially opened unclaimed interior;  
 FIG. 44 is a perspective view of an isolated element of the partially opened unclaimed interior;  
 FIG. 45 is a front elevation view thereof;  
 FIG. 46 is a perspective view of another isolated element of the partially opened unclaimed interior;  
 FIG. 47 is a front elevation view thereof;  
 FIG. 48 is a front perspective view of the freezer compartment with color in an open position with a partially opened unclaimed interior;  
 FIG. 49 is a perspective view of the interior of the freezer compartment with color in a partially opened position;  
 FIG. 50 is a top perspective view of the interior of the freezer drawer of the appliance of FIG. 49 with the intermediate drawer thereof in a fully-open configuration and further showing the interior of the freezer compartment; and,  
 FIG. 51 is a front perspective view of a portion of the intermediate drawer of FIGS. 49 and 50 shown, for reference purposes, in isolation from the remaining portions of the appliance of the present embodiment to further illustrate a corresponding portion of the interior of the freezer compartment.  
 The broken lines in the figures are to show an environment and form no part of the claimed design.

The stipple-filled portions within the dot-dash-dot-dash lines on the freezer compartment drawer or the front facie of the freezer compartment drawer represent the color gray, where the gray color has the following color characteristics according to the CIELAB System:

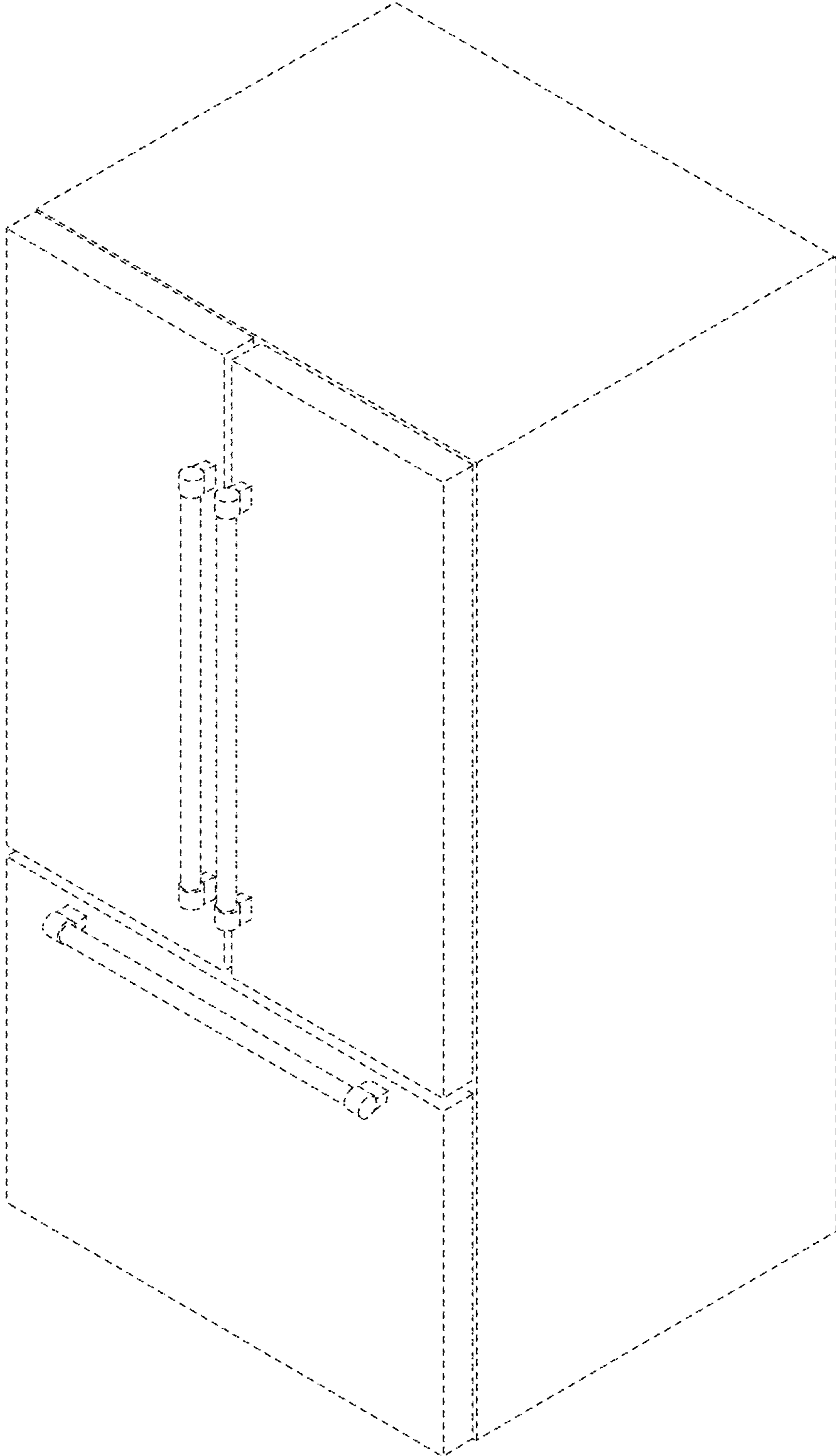
Illuminant A	L 59.21	a -0.76	b -1.78
Illuminant F2	L 59.23	a -0.32	b -1.72.

**1 Claim, 48 Drawing Sheets**

(58) **Field of Classification Search**  
 CPC ..... F25D 25/025; F25D 23/028; F25D 2323/024; F25D 23/00; F25D 23/02; F25D 2323/021; F25D 23/065; F25D 11/00; F25D 2201/14; F25D 23/021; F25D 23/025; F25D 23/04; F25D 27/00; F25D 23/062; F25D 23/067; F25D 2400/18; F25D 23/08; F25D 23/085; F25D 2500/02; F25D 25/00; F25D 25/005; F25D 25/022; F25D 25/024; F25D 17/047; F25D 2317/041; F25D 2317/04131; F25D 2317/043; F25D 2317/0664; F25D 2321/147; F25D 2323/02; F25D 2323/023  
 See application file for complete search history.

(56) **References Cited**  
 U.S. PATENT DOCUMENTS  
 D511,179 S 11/2005 Tunzi  
 D518,832 S 4/2006 Park et al.  
 D616,001 S 5/2010 Yang et al.  
 D629,819 S 12/2010 Placke et al.  
 D639,615 S 6/2011 Krapfl et al.  
 D647,927 S 11/2011 Lee et al.  
 D654,515 S 2/2012 Hwang et al.  
 D655,321 S 3/2012 Lee et al.  
 D658,214 S 4/2012 Seo et al.  
 D668,696 S 10/2012 Seo et al.  
 D671,151 S 11/2012 Seo et al.  
 D671,572 S 11/2012 Seo et al.  
 D674,417 S 1/2013 Seo et al.  
 D685,010 S 6/2013 Seo et al.  
 D707,735 S 6/2014 Cho et al.  
 D710,401 S 8/2014 Ringemann et al.  
 D710,402 S 8/2014 Jeon et al.  
 D716,851 S 11/2014 Seo et al.  
 D742,942 S \* 11/2015 McConnell ..... D15/89  
 D743,453 S \* 11/2015 McConnell ..... D15/89  
 D748,161 S \* 1/2016 McConnell ..... D15/89  
 D748,162 S \* 1/2016 McConnell ..... D15/89  
 D748,163 S \* 1/2016 McConnell ..... D15/89  
 D748,164 S \* 1/2016 McConnell ..... D15/89  
 D748,690 S \* 2/2016 McConnell ..... D15/89  
 D748,691 S \* 2/2016 McConnell ..... D15/89  
 D748,692 S \* 2/2016 McConnell ..... D15/89  
 D748,693 S \* 2/2016 McConnell ..... D15/89  
 D749,152 S \* 2/2016 McConnell ..... D15/89  
 D749,652 S \* 2/2016 McConnell ..... D15/89  
 D750,141 S \* 2/2016 McConnell ..... D15/89  
 D755,260 S \* 5/2016 McConnell ..... D15/89  
 D759,733 S \* 6/2016 Lee ..... D15/85  
 D761,335 S \* 7/2016 McConnell ..... D15/89  
 D761,885 S \* 7/2016 McConnell ..... D15/89  
 D762,250 S \* 7/2016 McConnell ..... D15/89

\* cited by examiner



**FIG. 1**

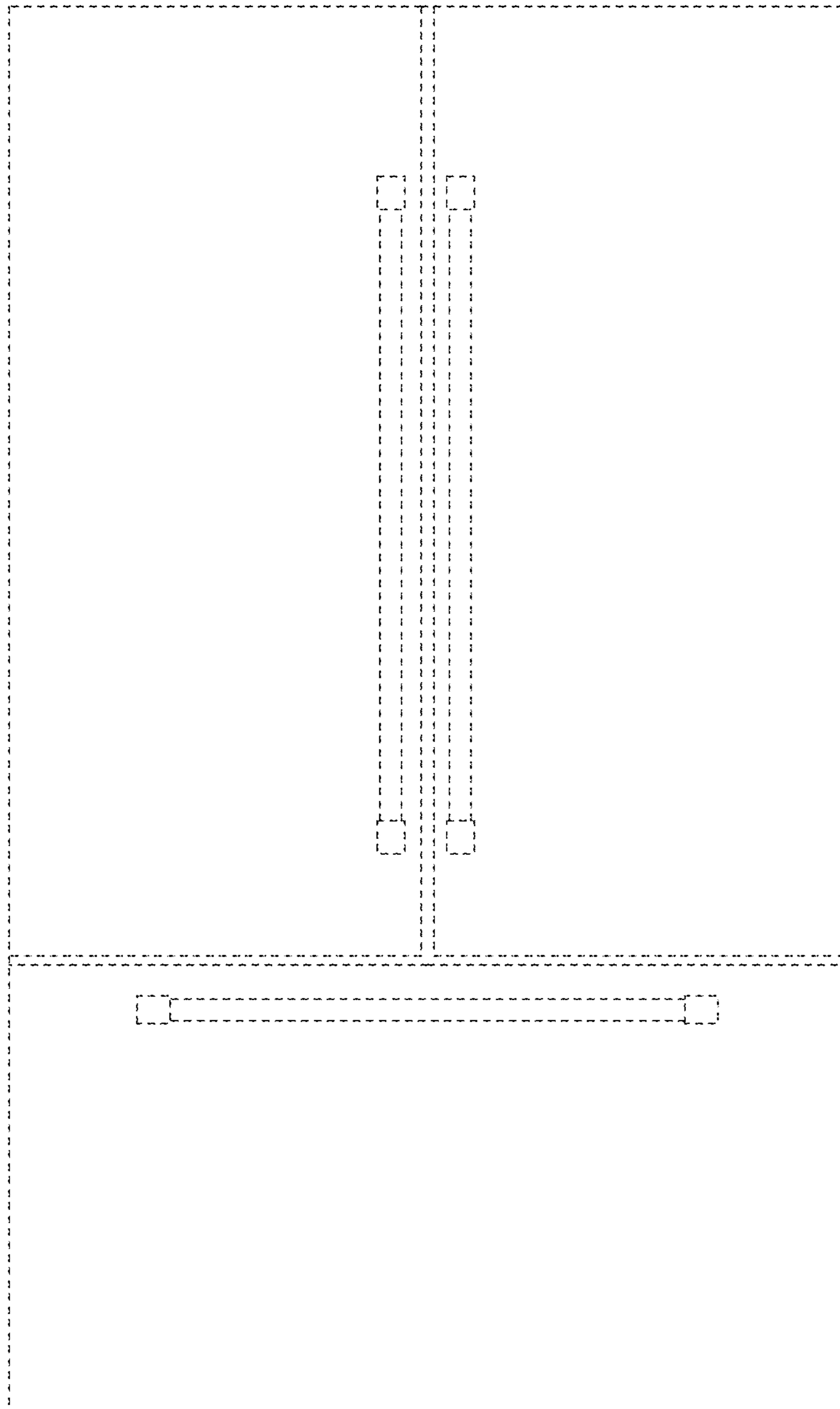
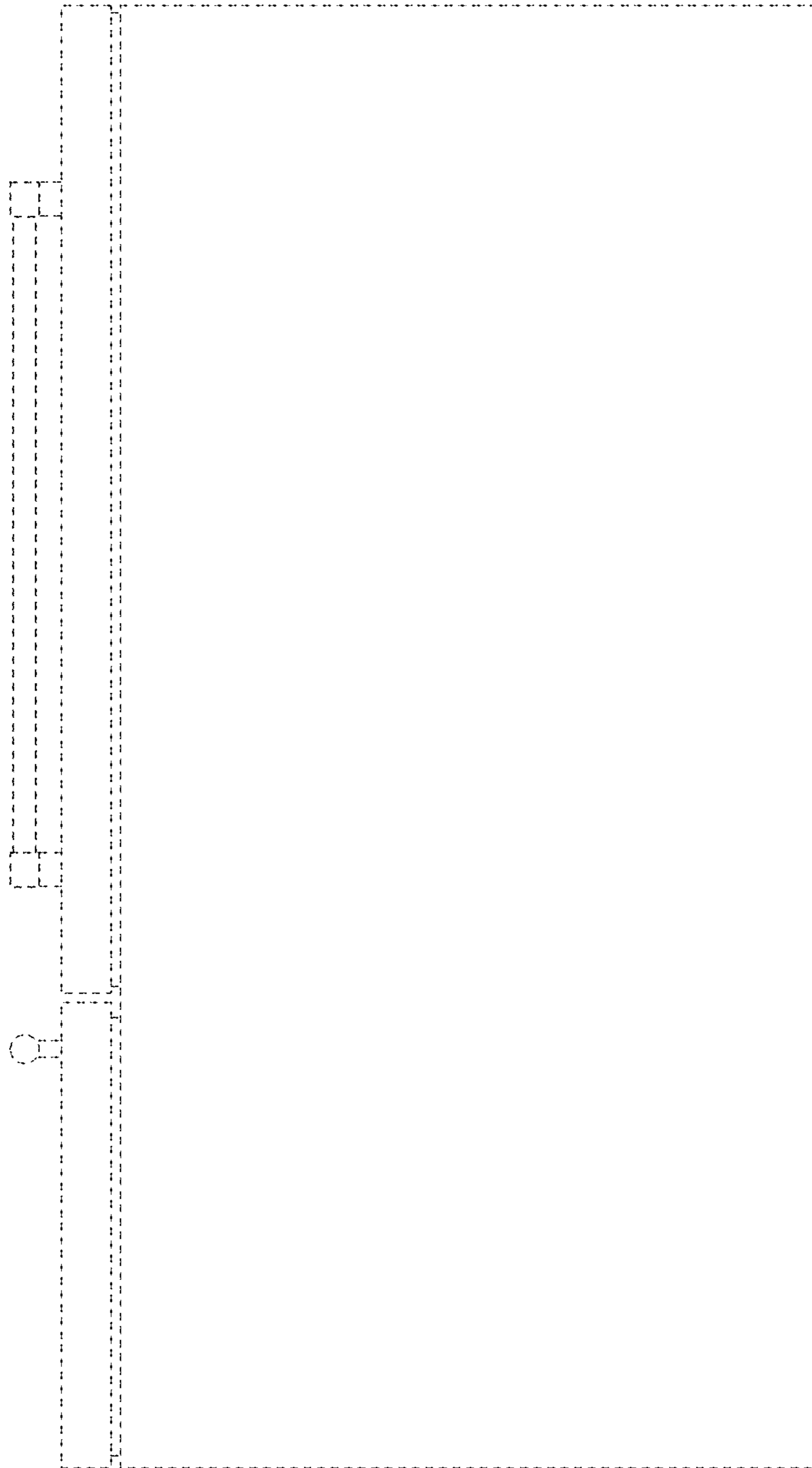
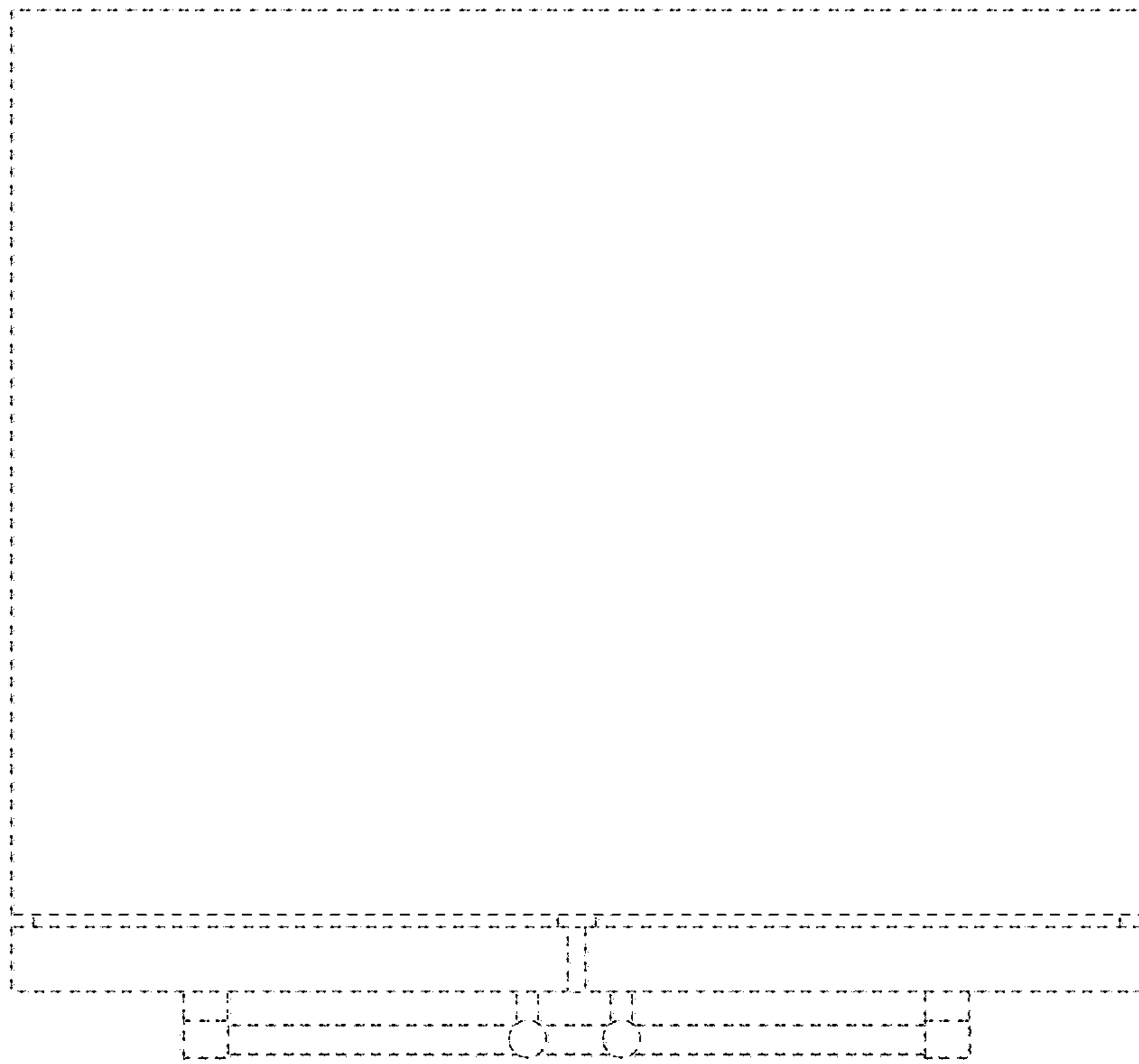


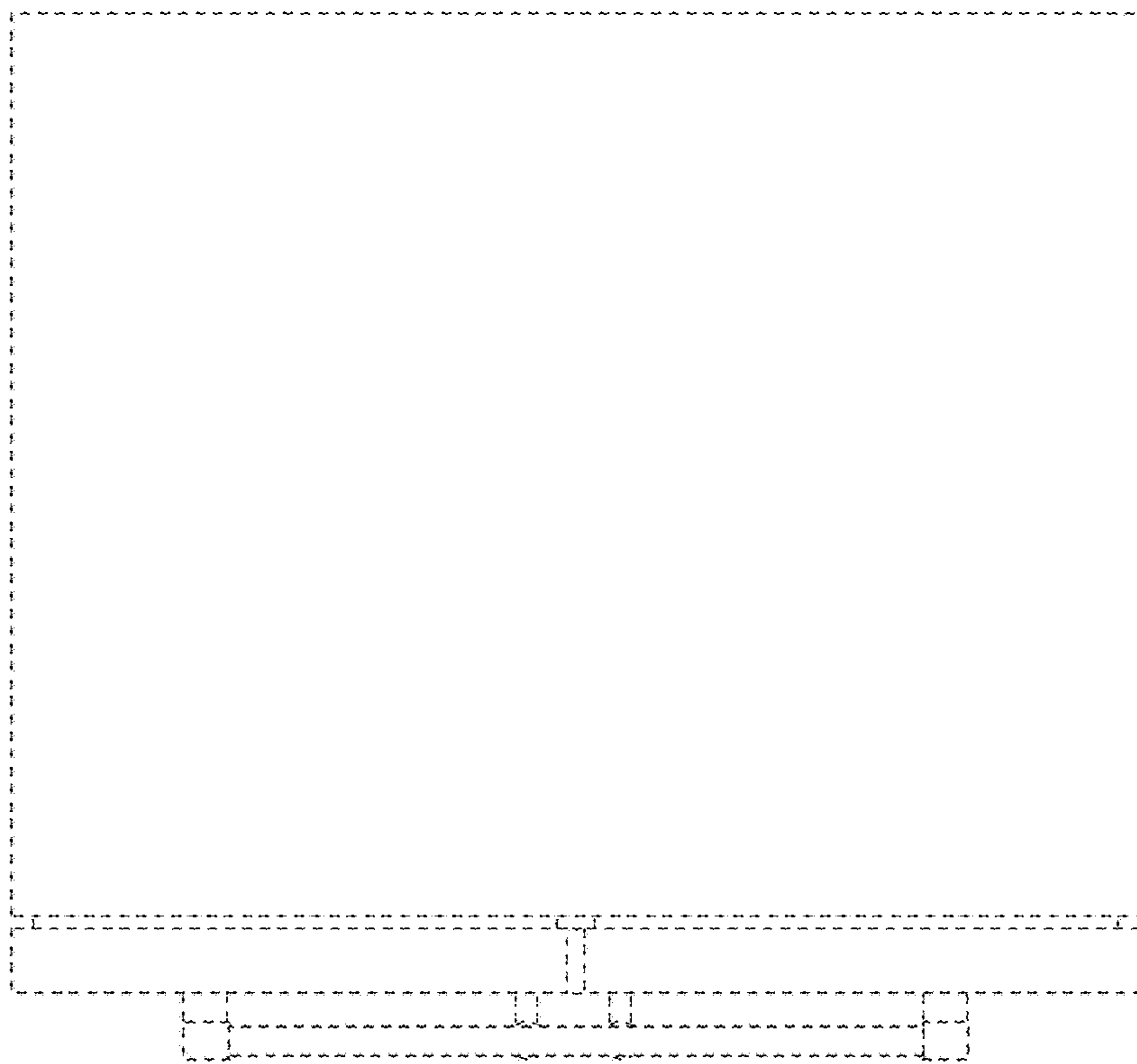
FIG. 2



**FIG. 3**



**FIG. 4**



**FIG. 5**



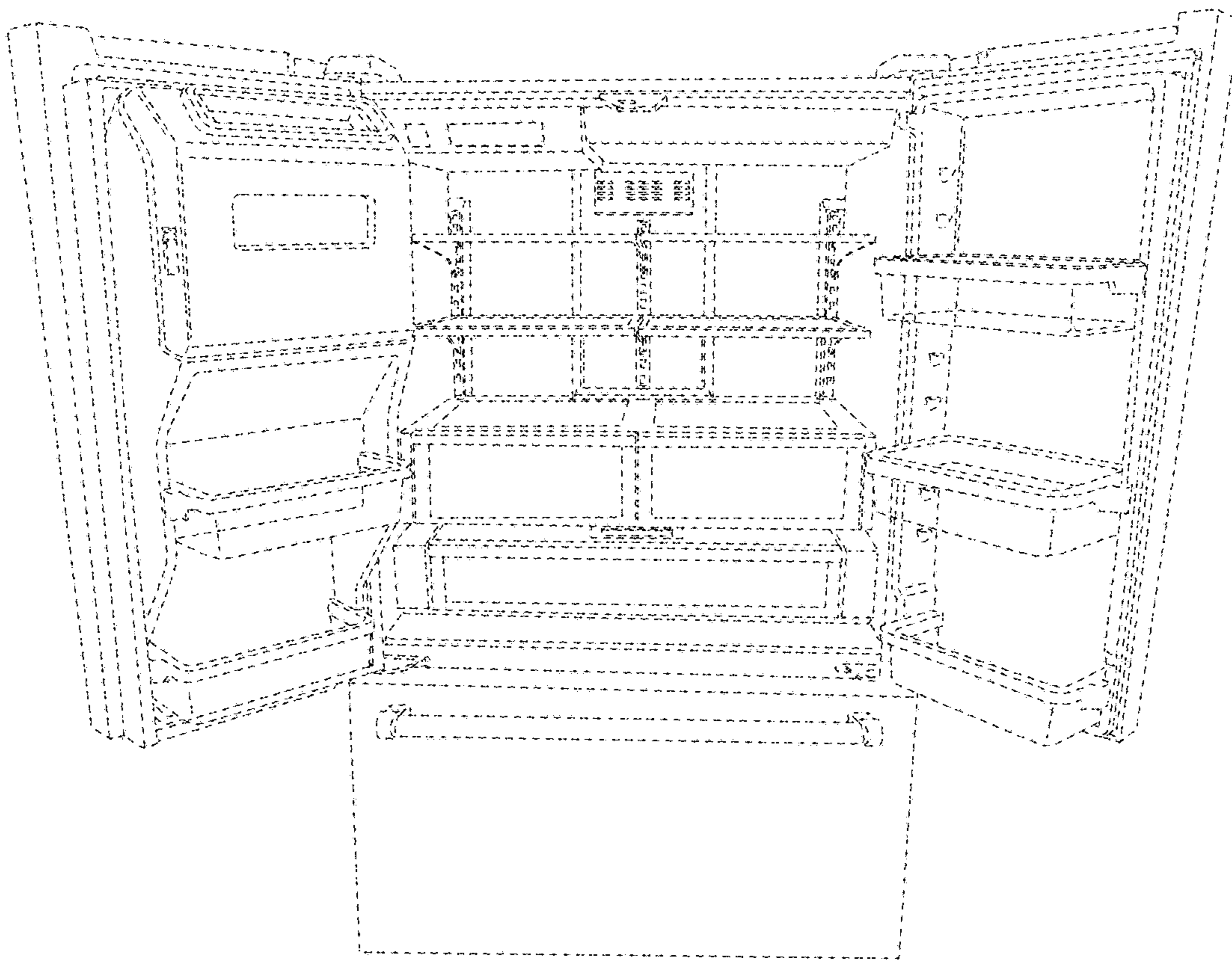


FIG. 6

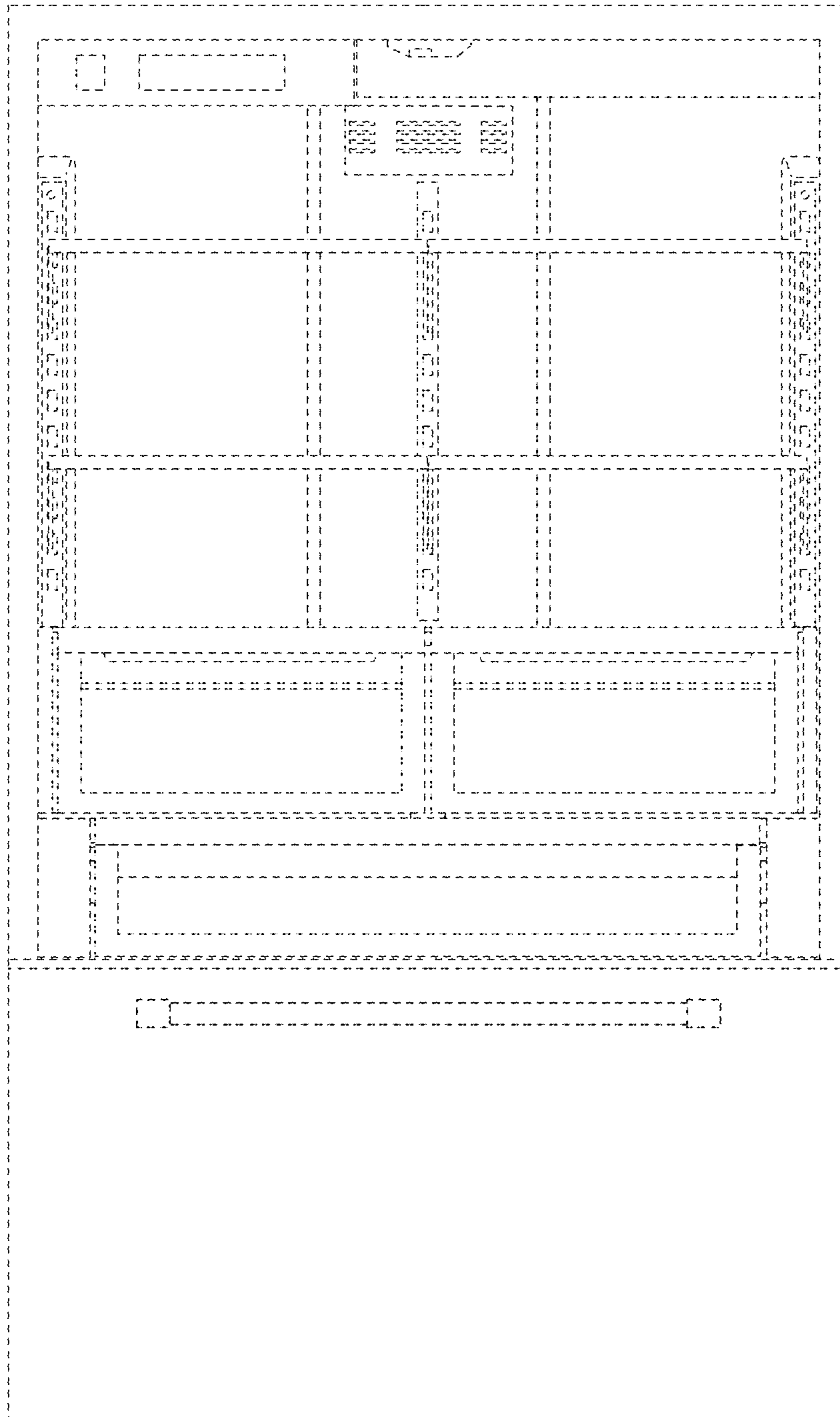


FIG. 7



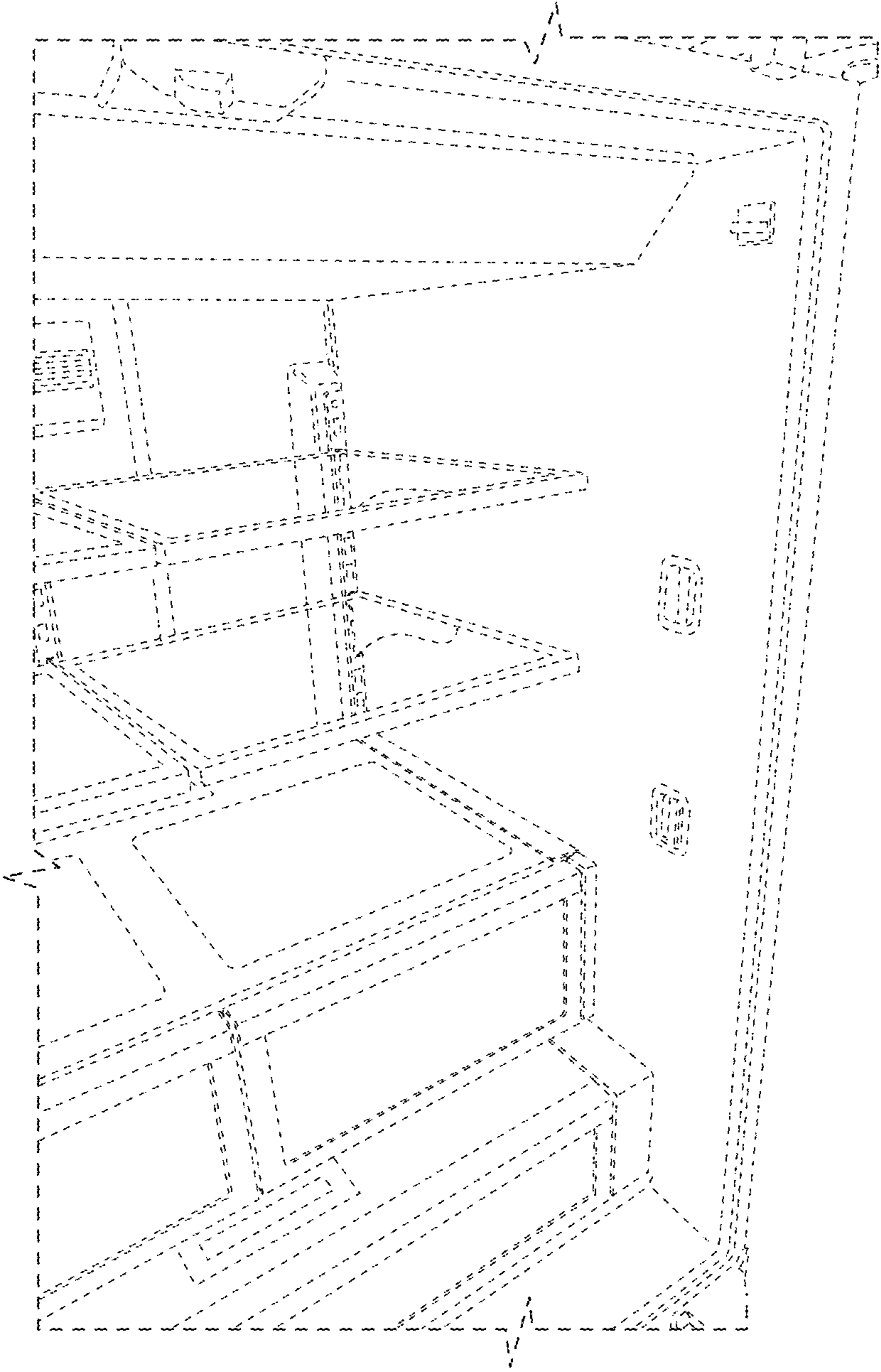


FIG. 8

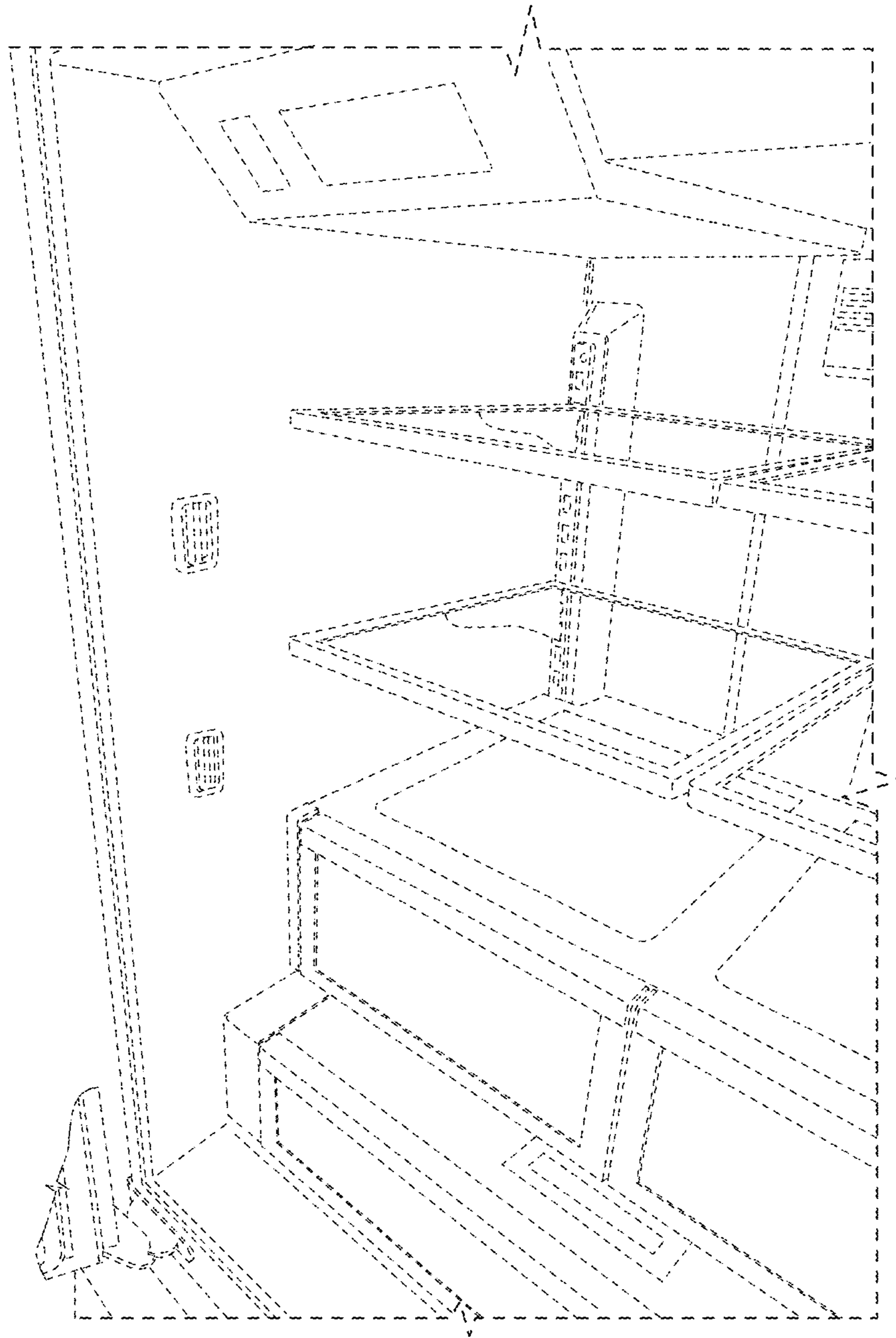


FIG. 9

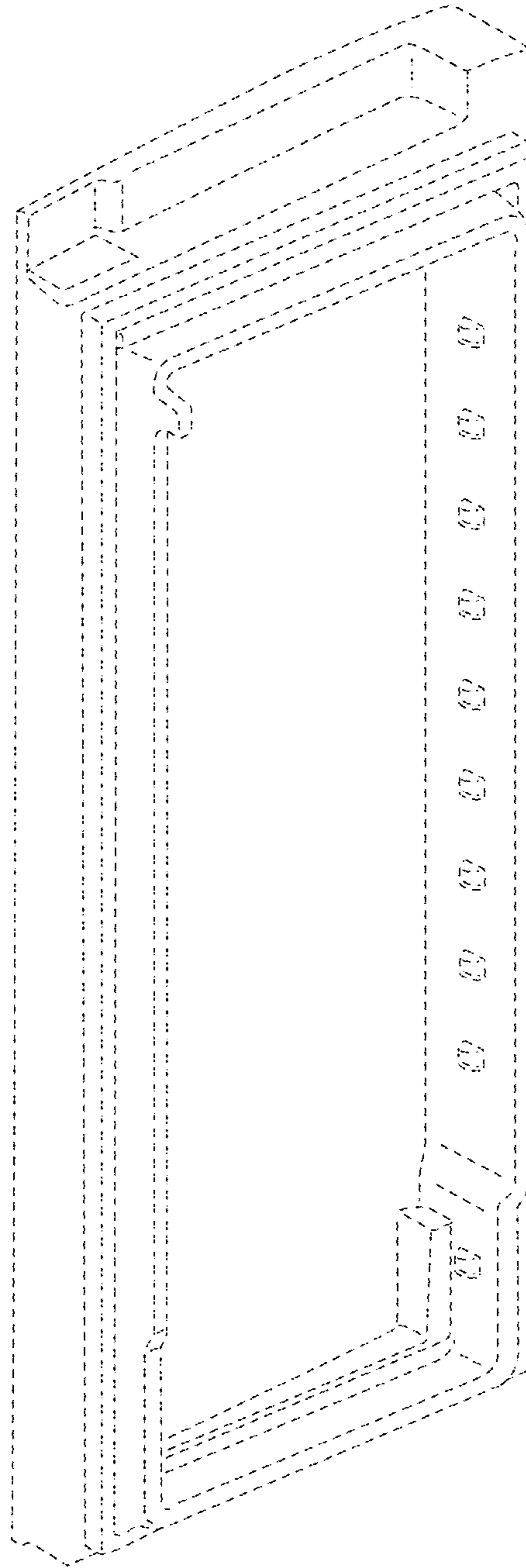
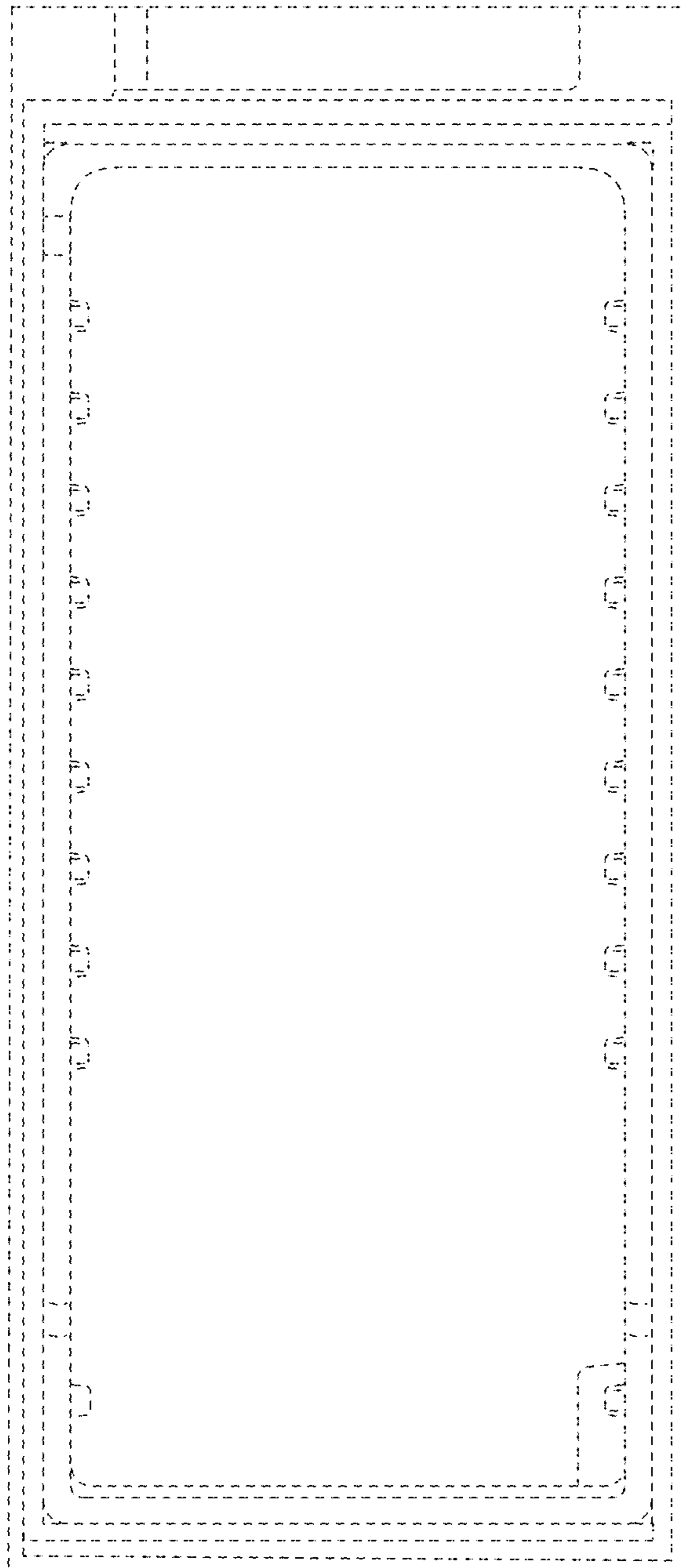


FIG. 10



**FIG. 11**



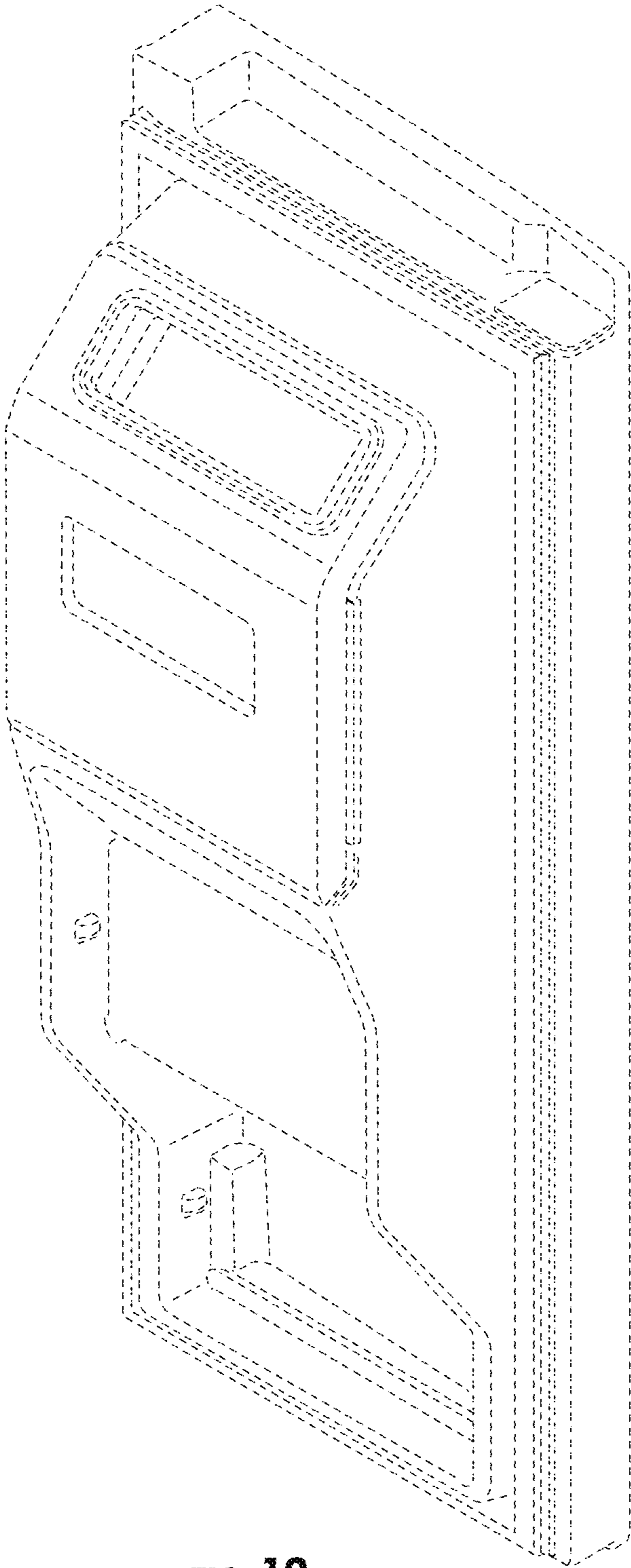


FIG. 12

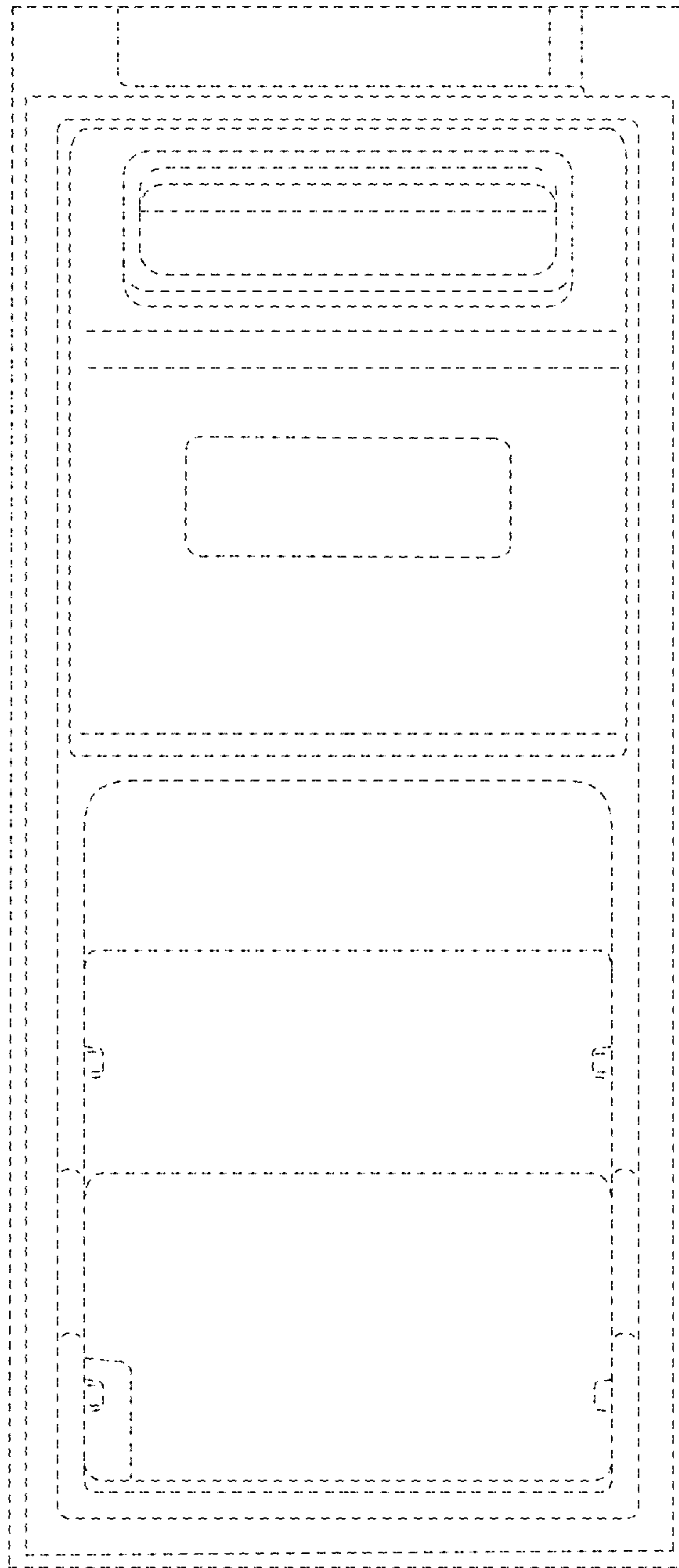


FIG. 13

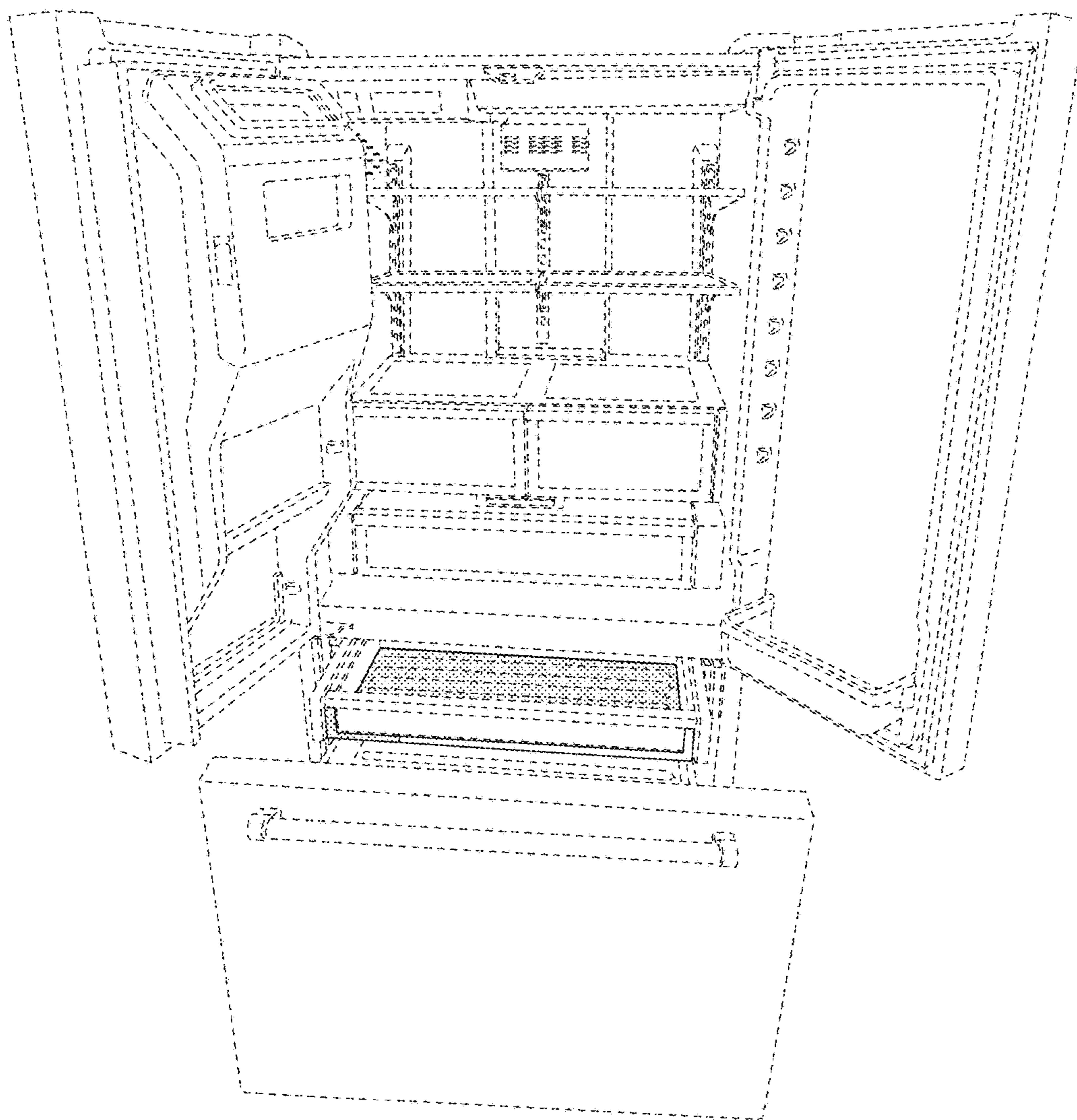


FIG. 14

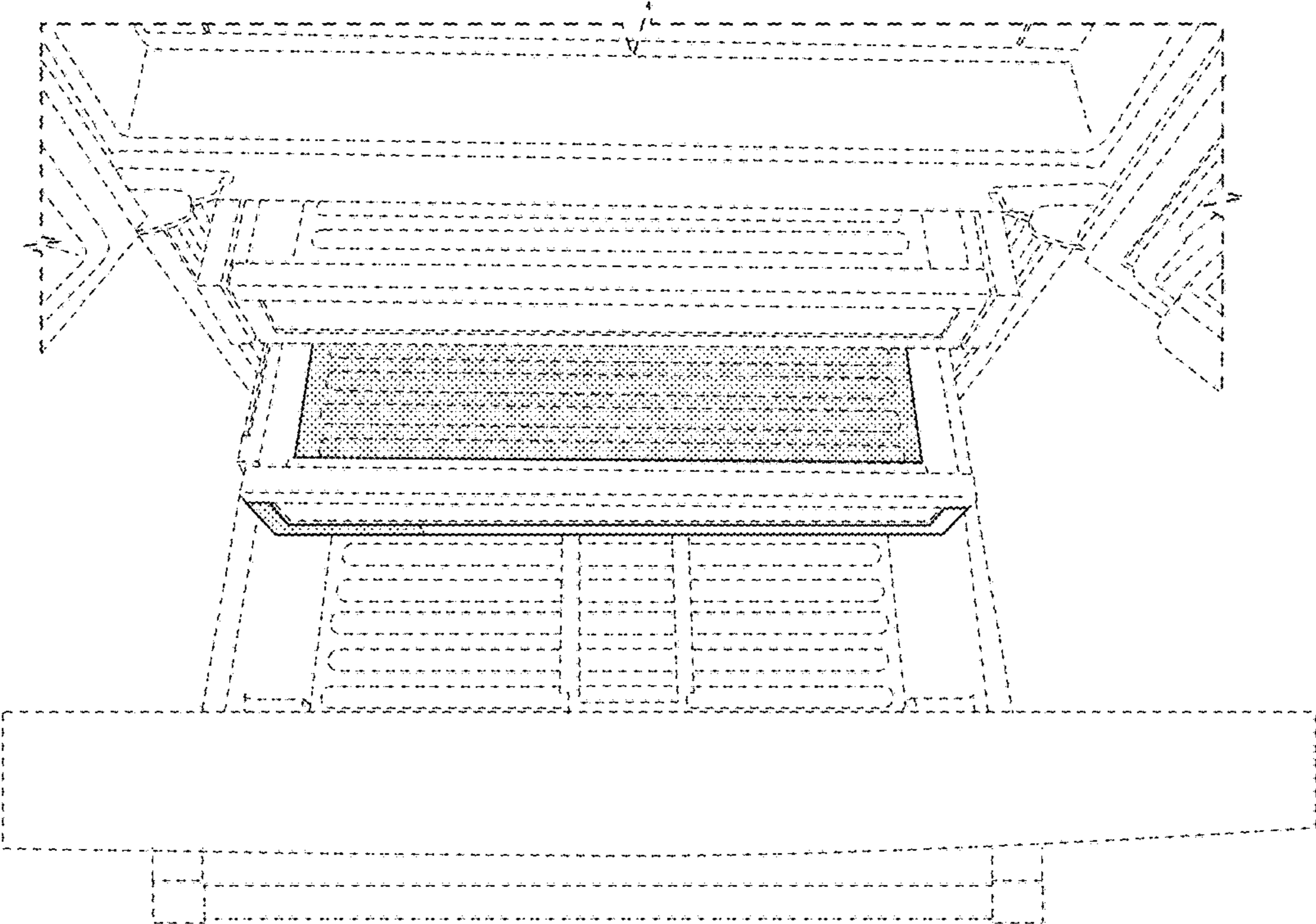


FIG. 15



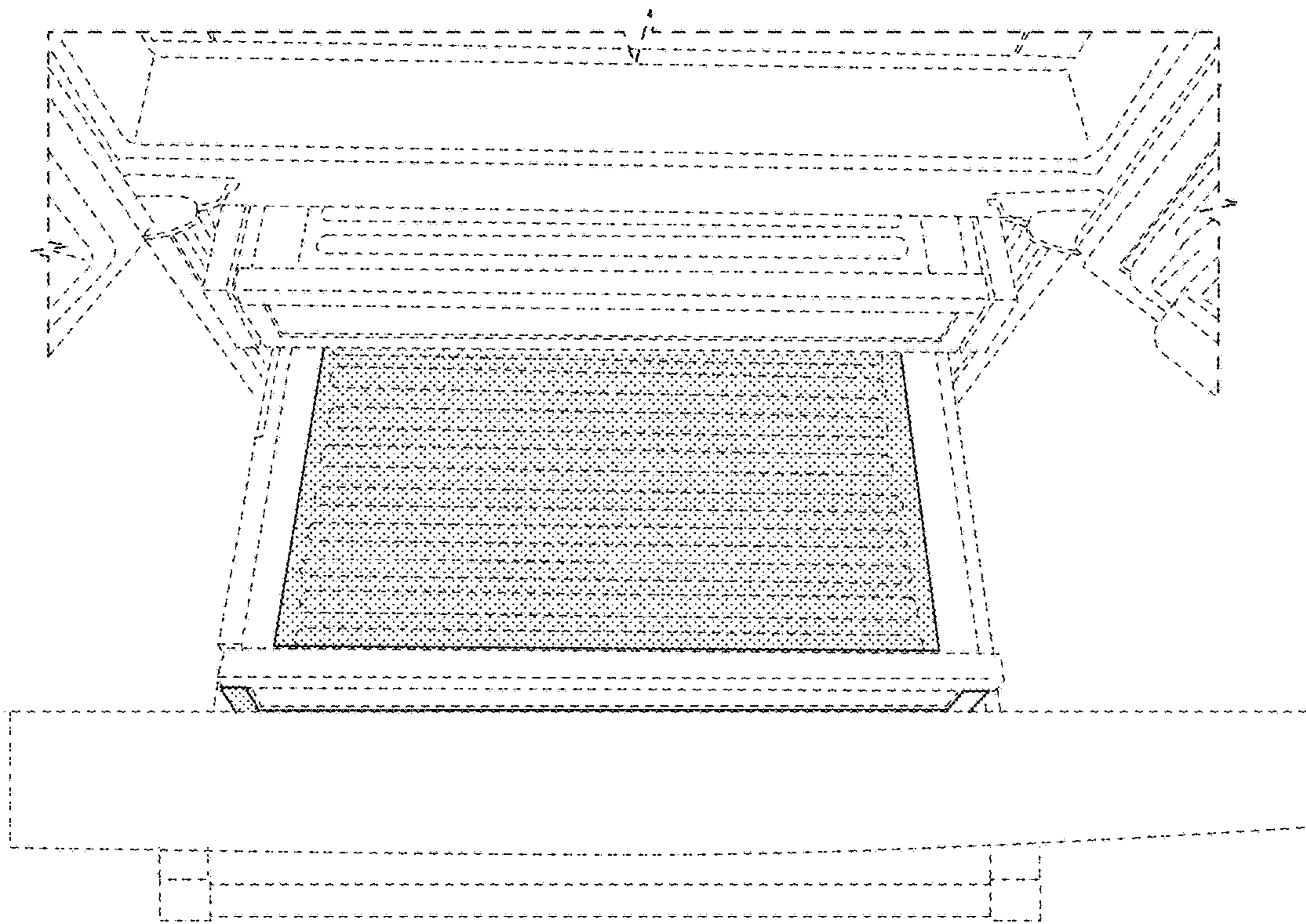


FIG. 16

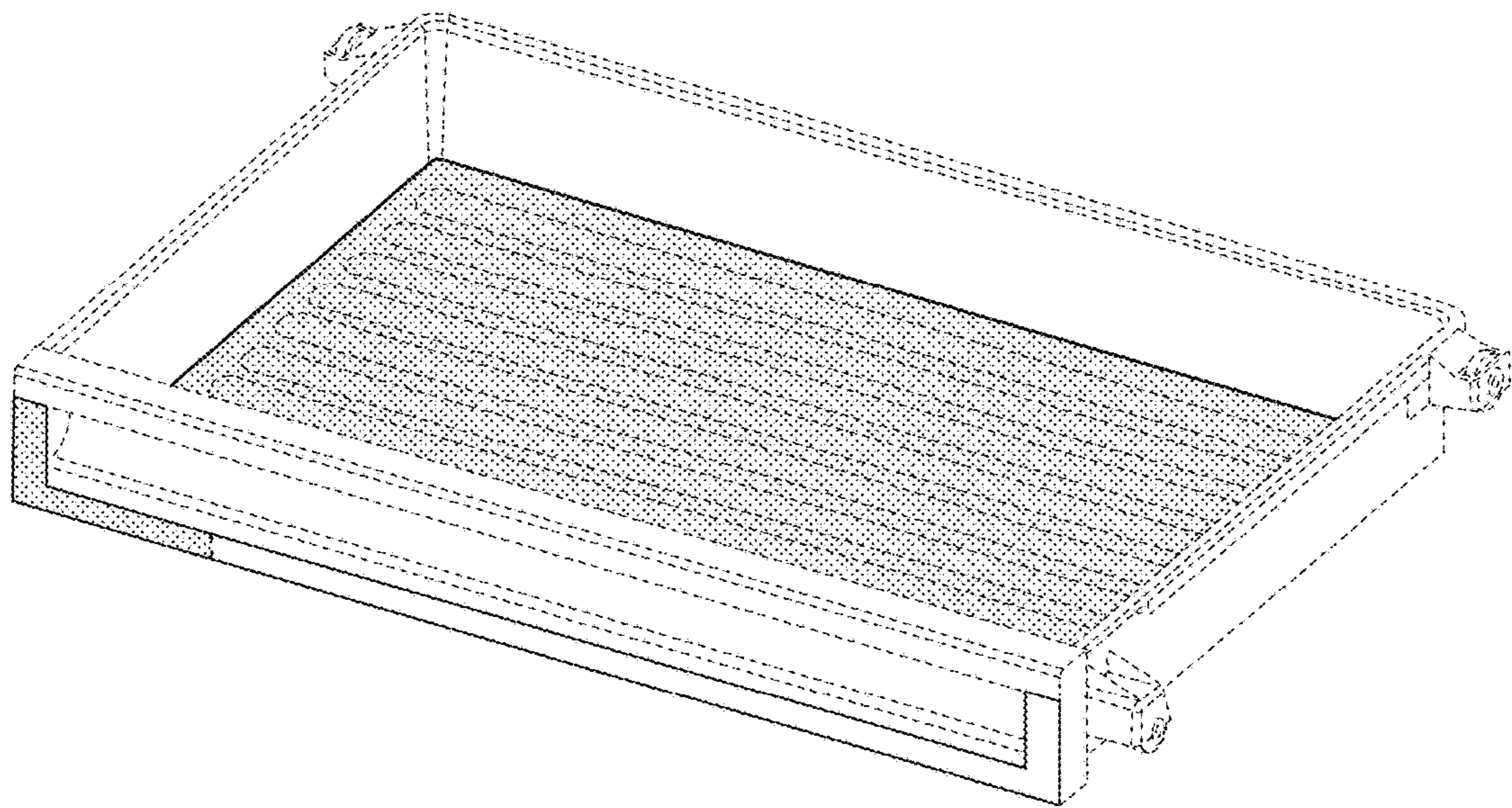


FIG. 17

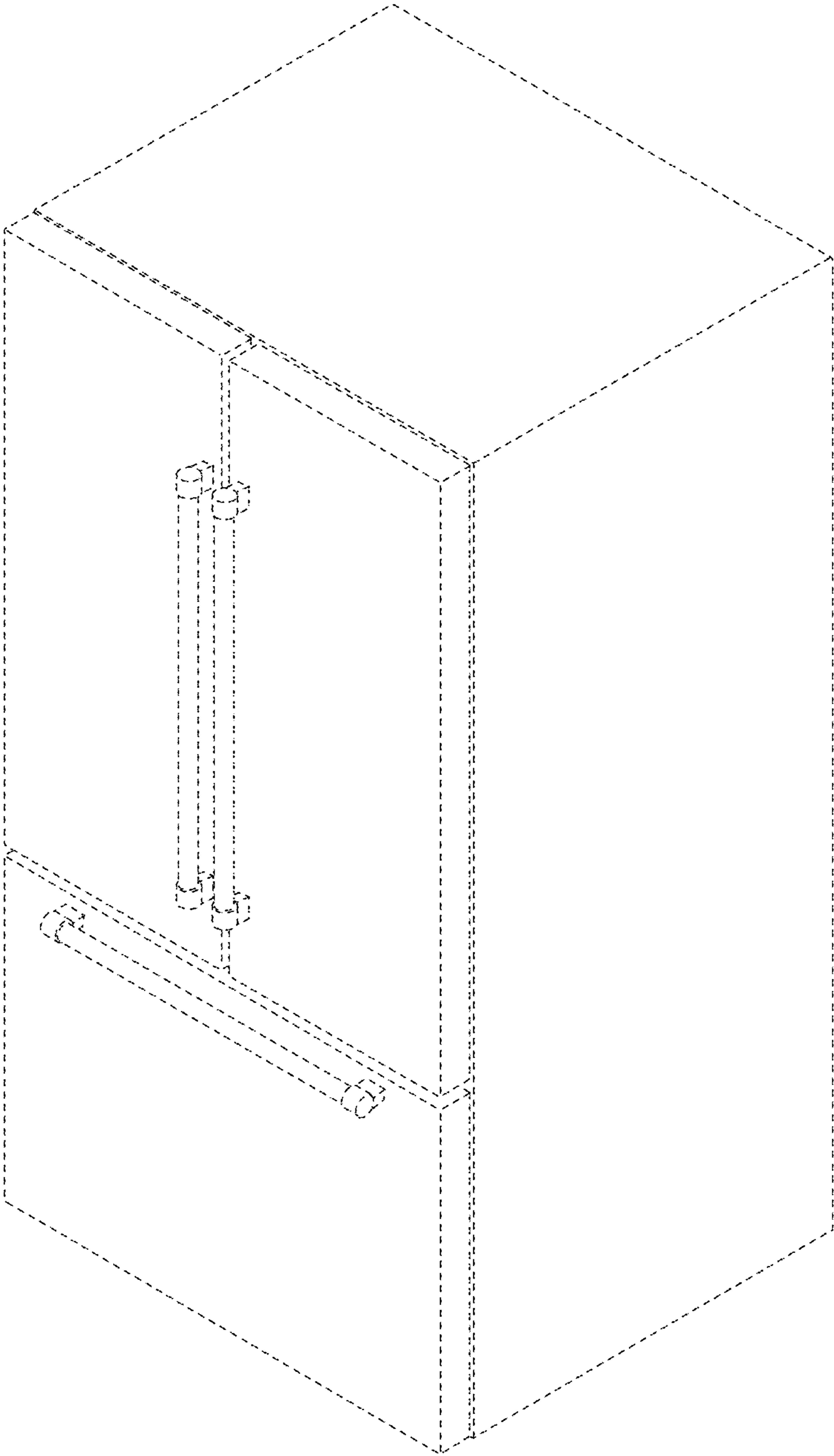
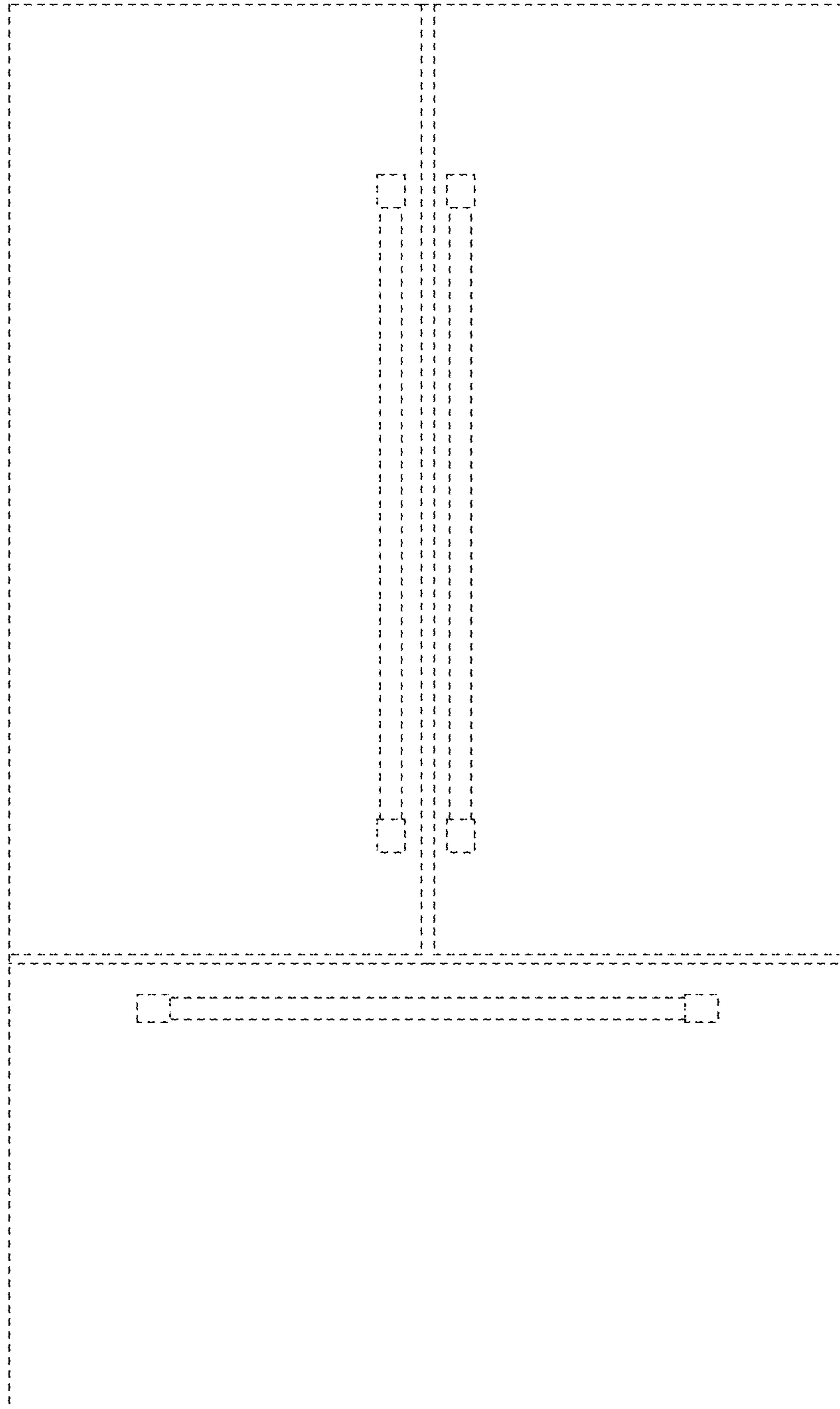
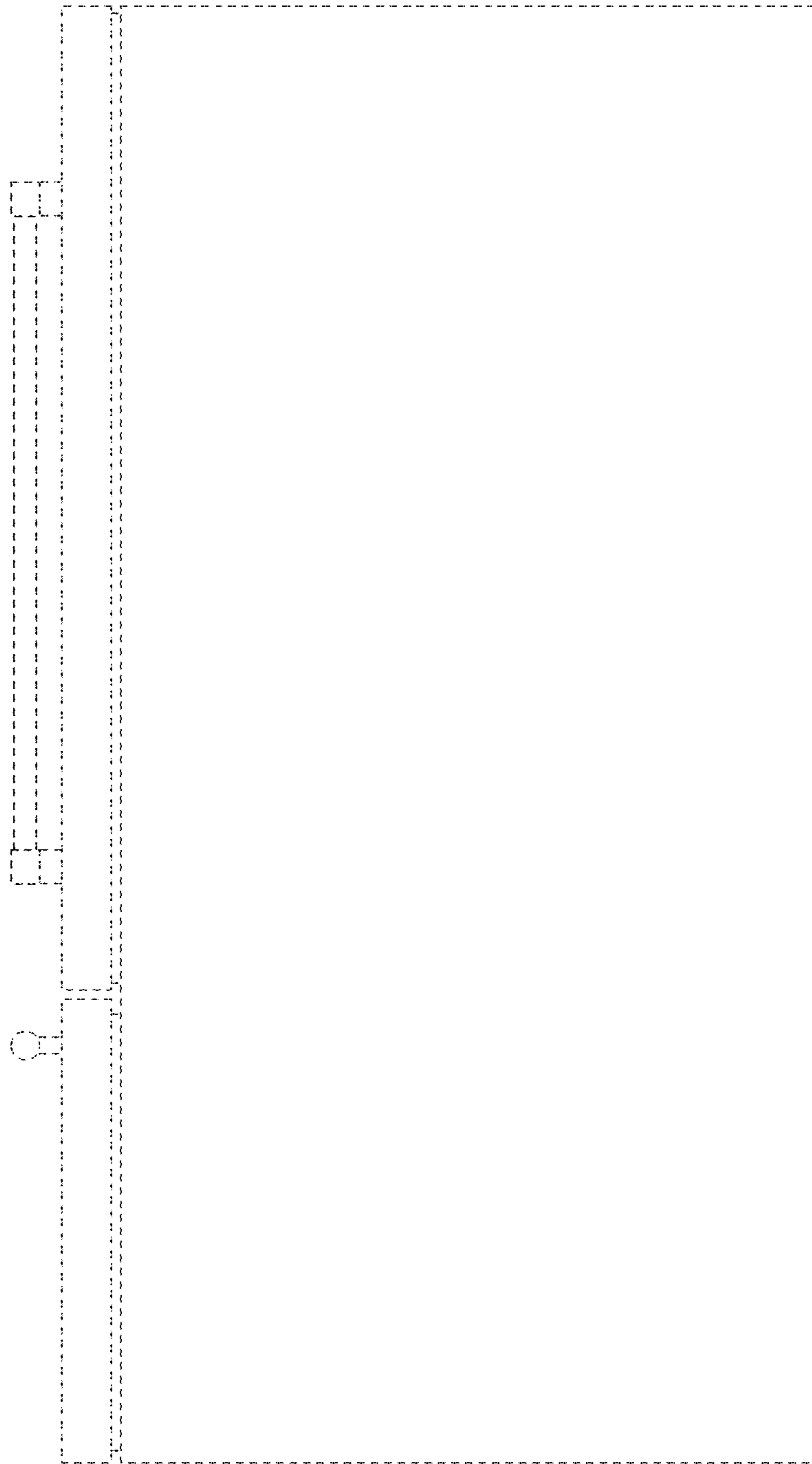


FIG. 18

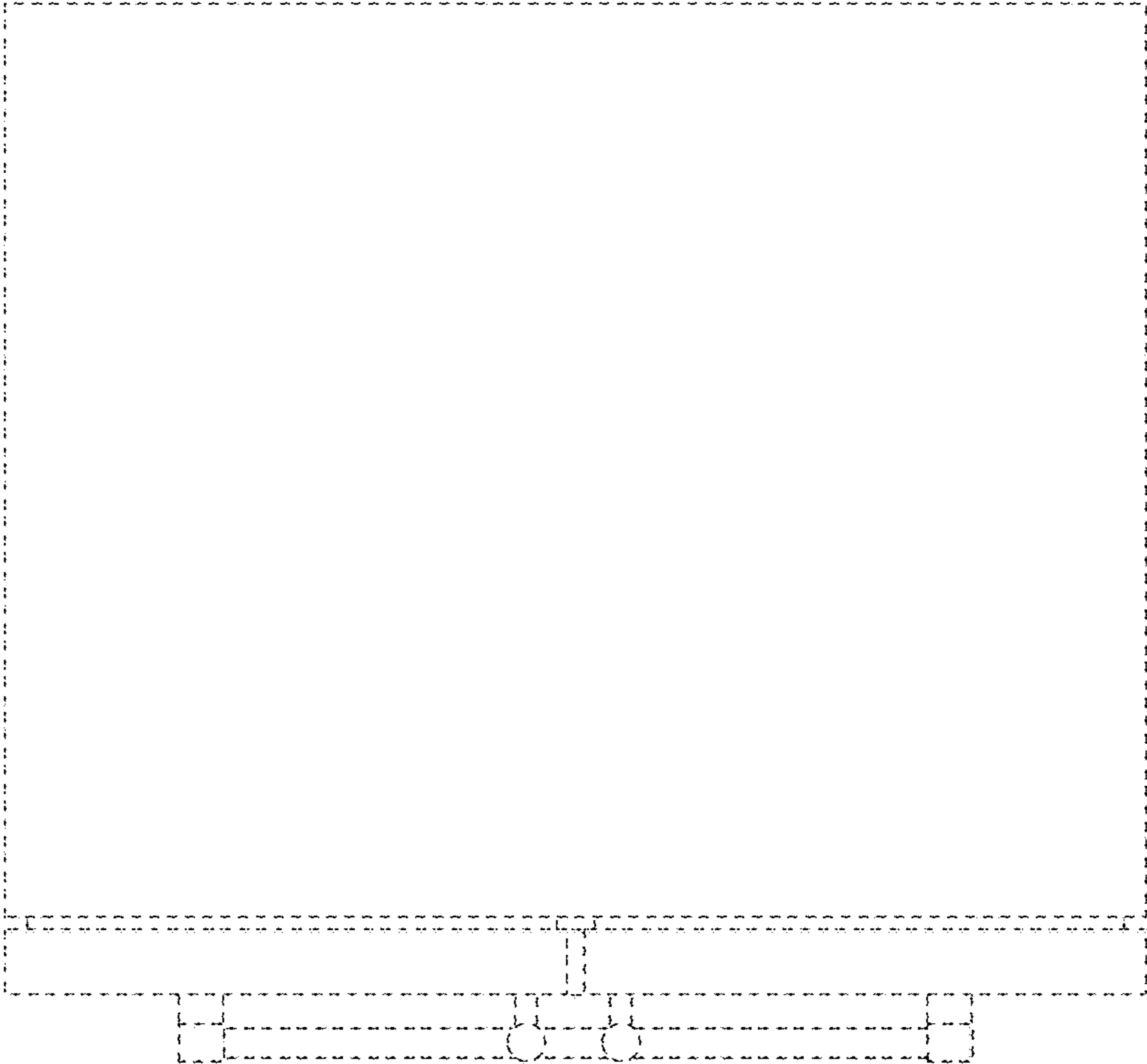


**FIG. 19**

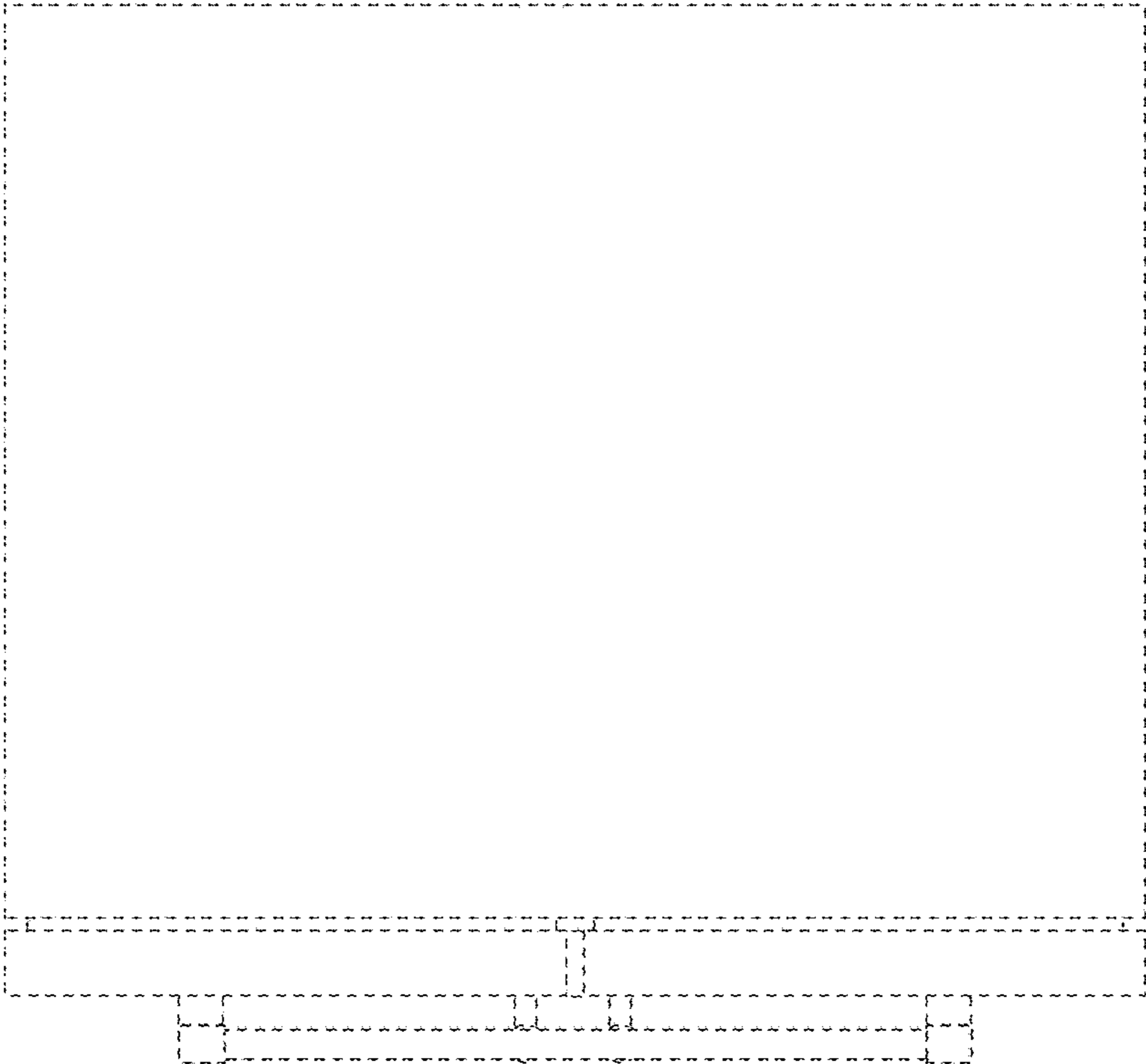




**FIG. 20**



**FIG. 21**



**FIG. 22**

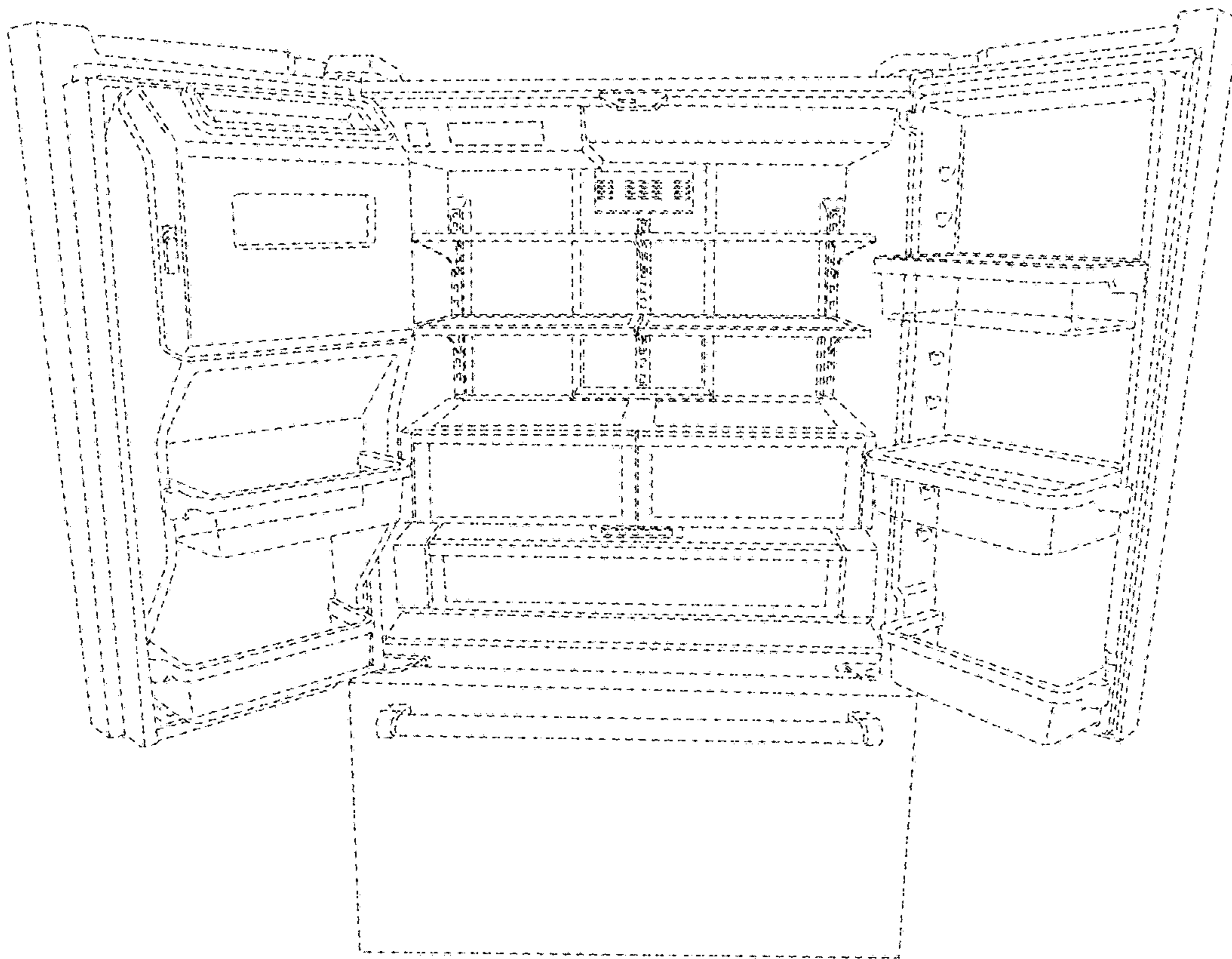


FIG. 23

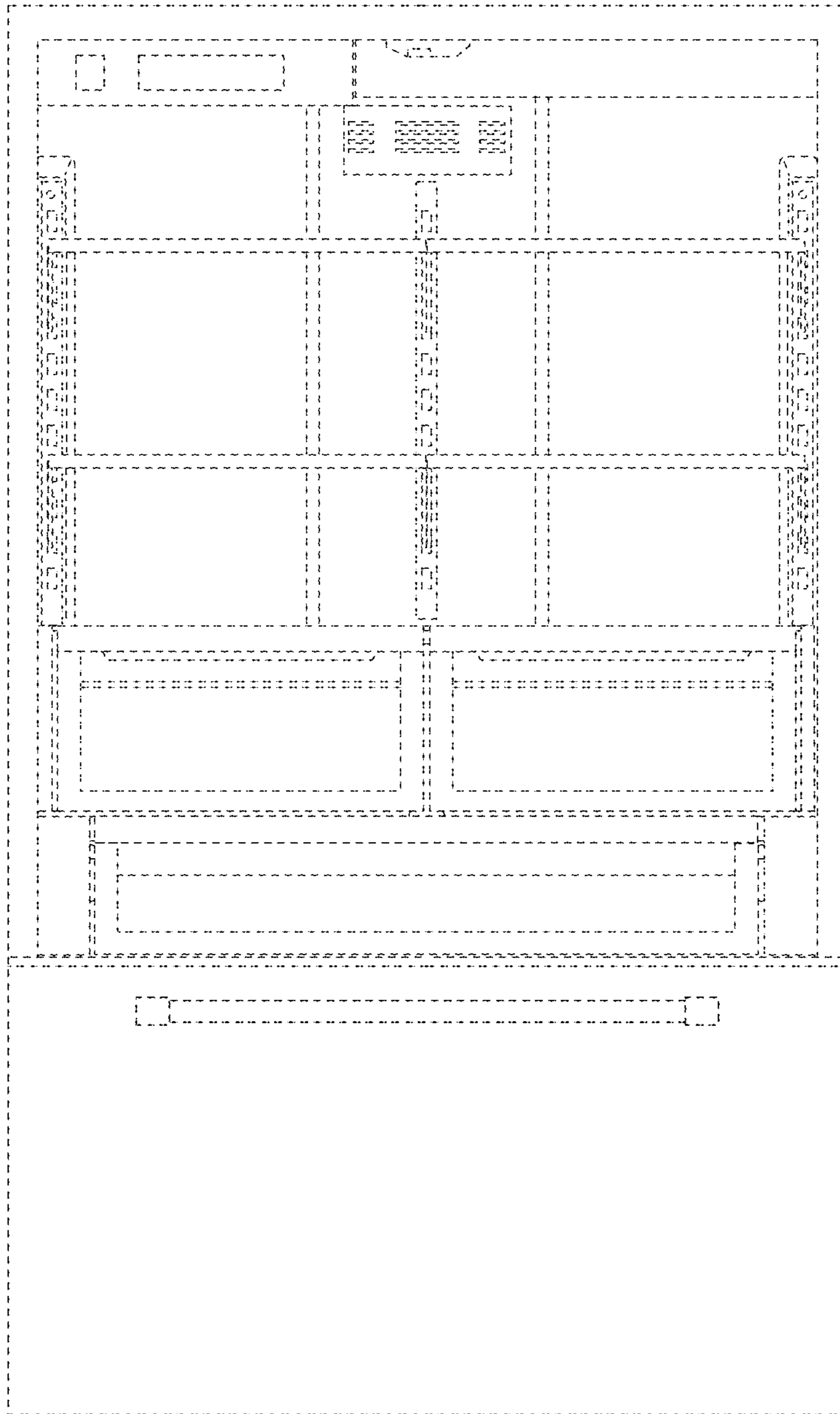


FIG. 24



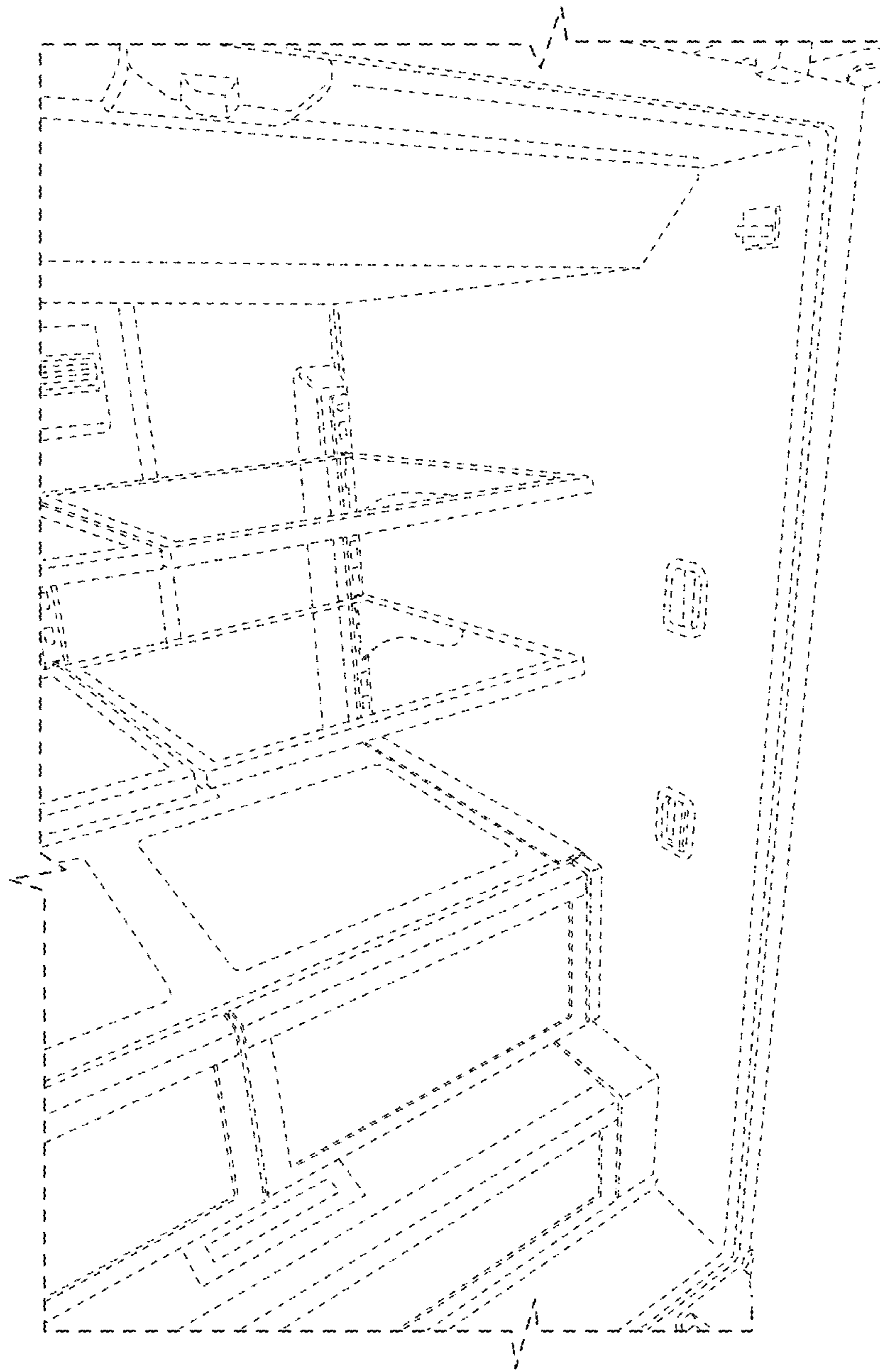


FIG. 25

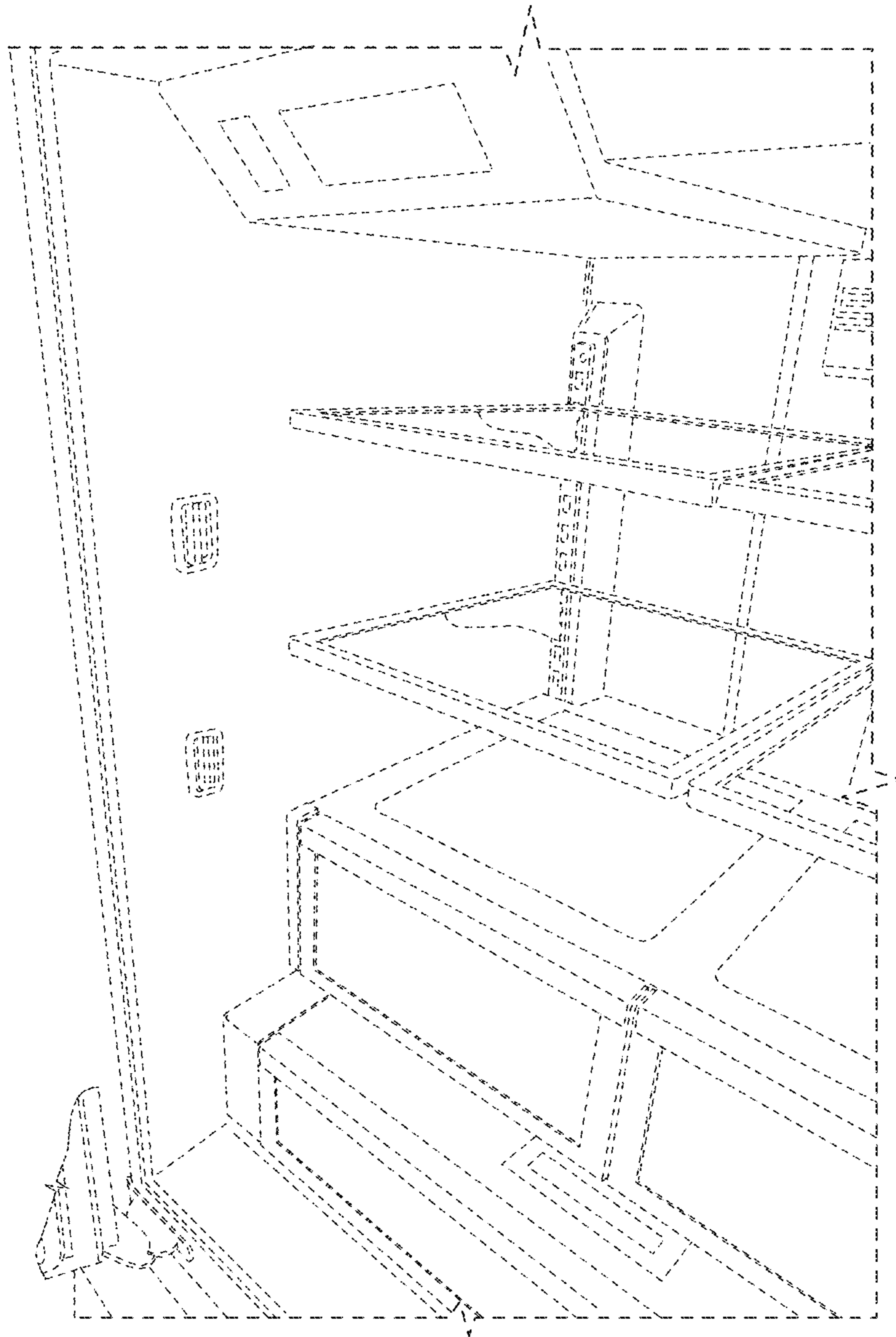


FIG. 26

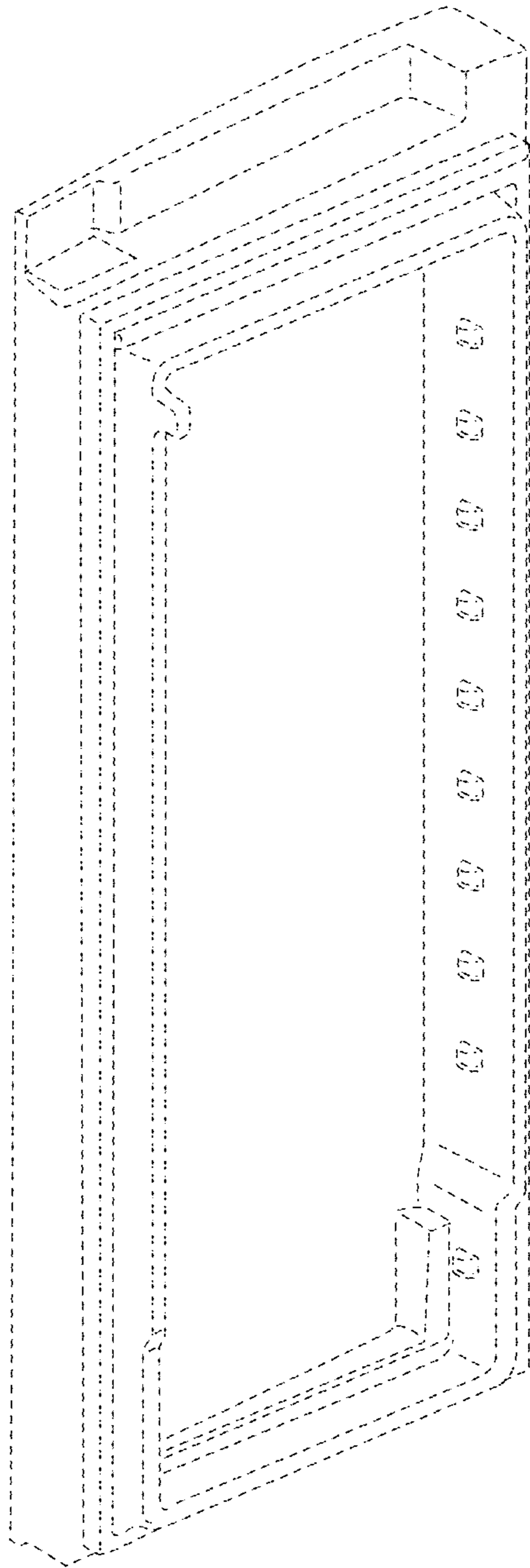


FIG. 27

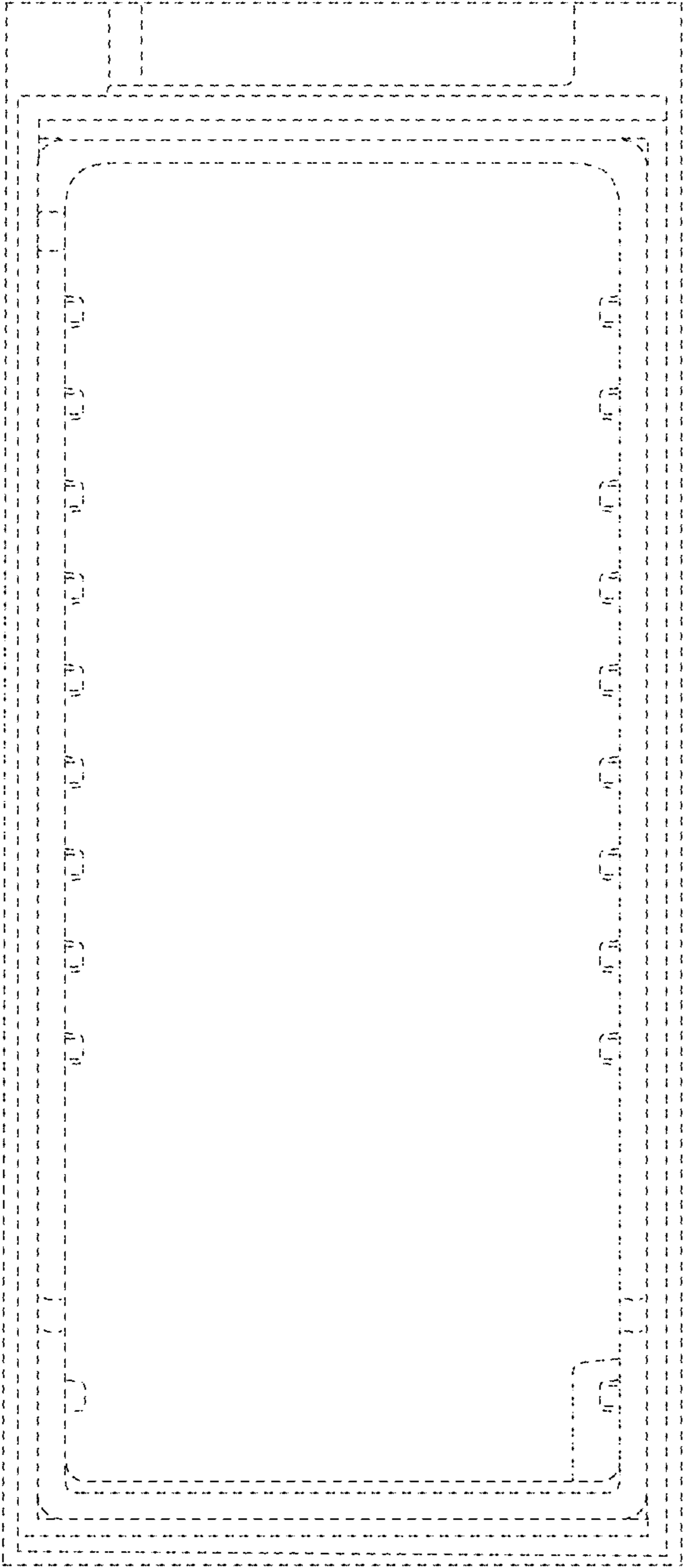


FIG. 28

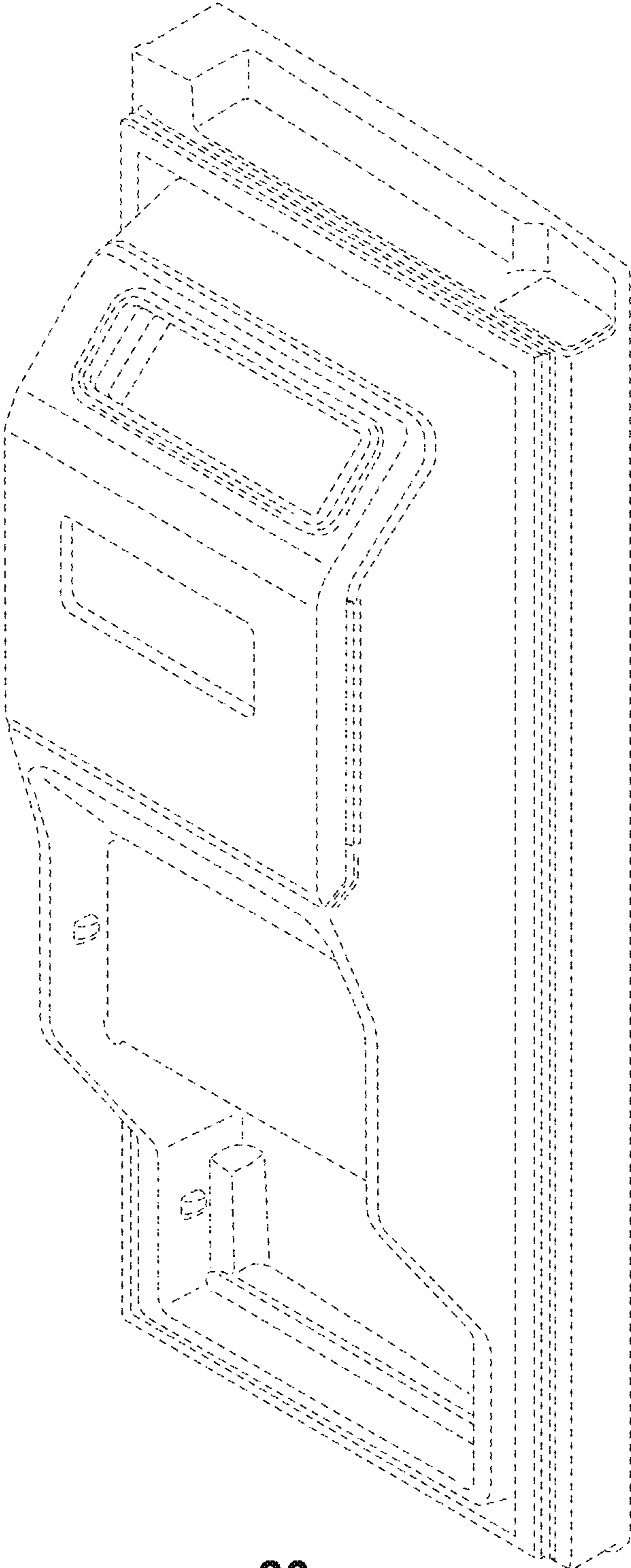
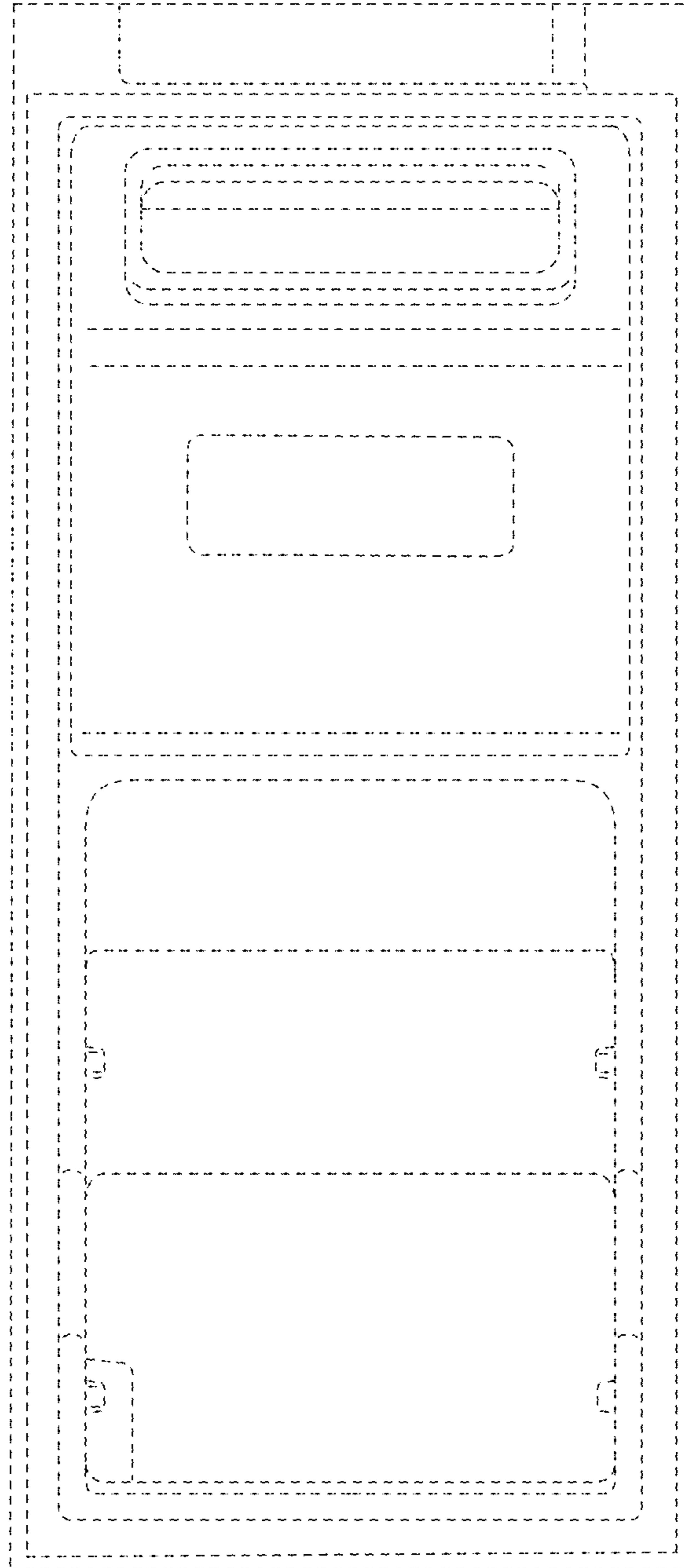


FIG. 29





**FIG. 30**

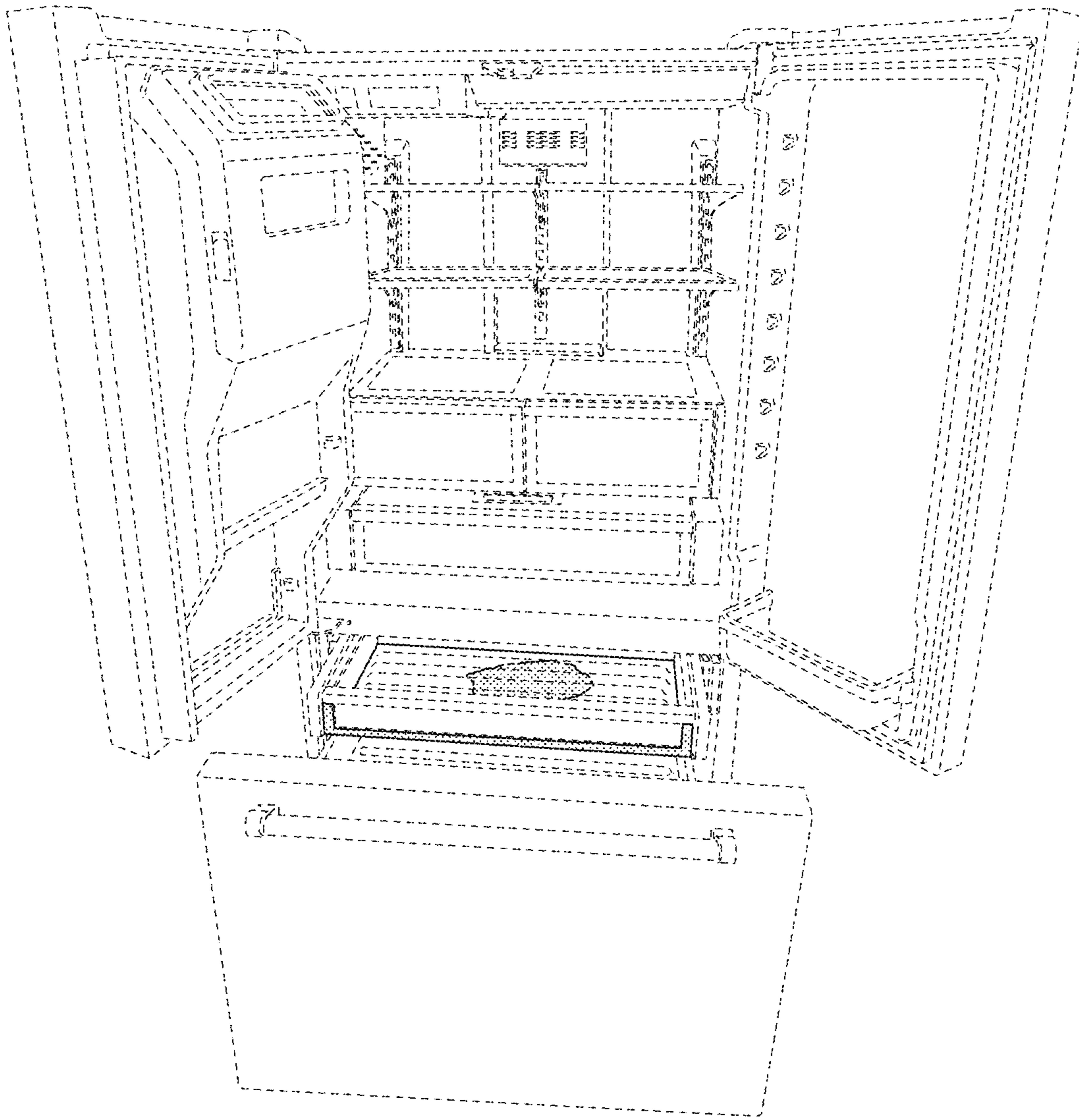


FIG. 31

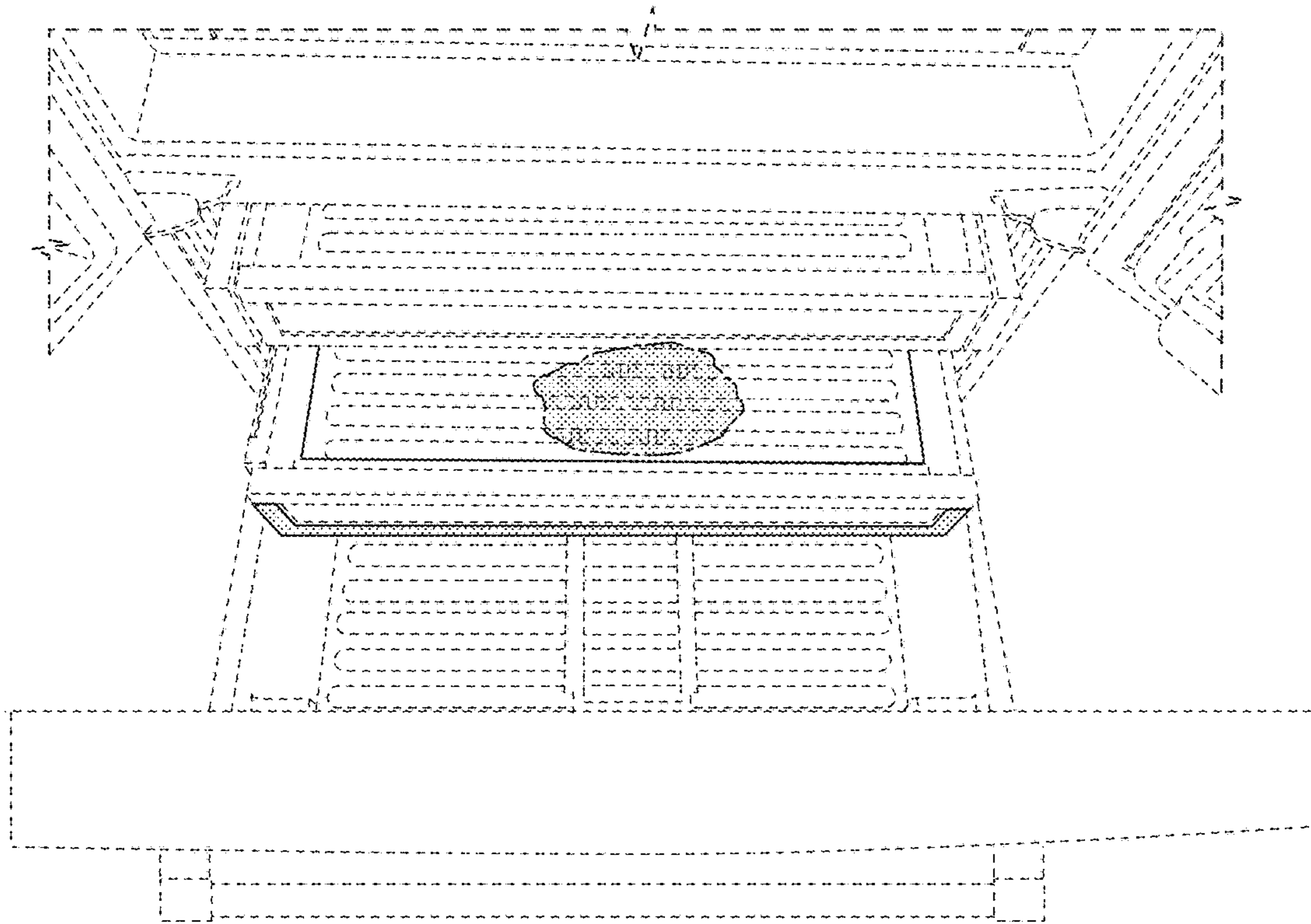


FIG. 32

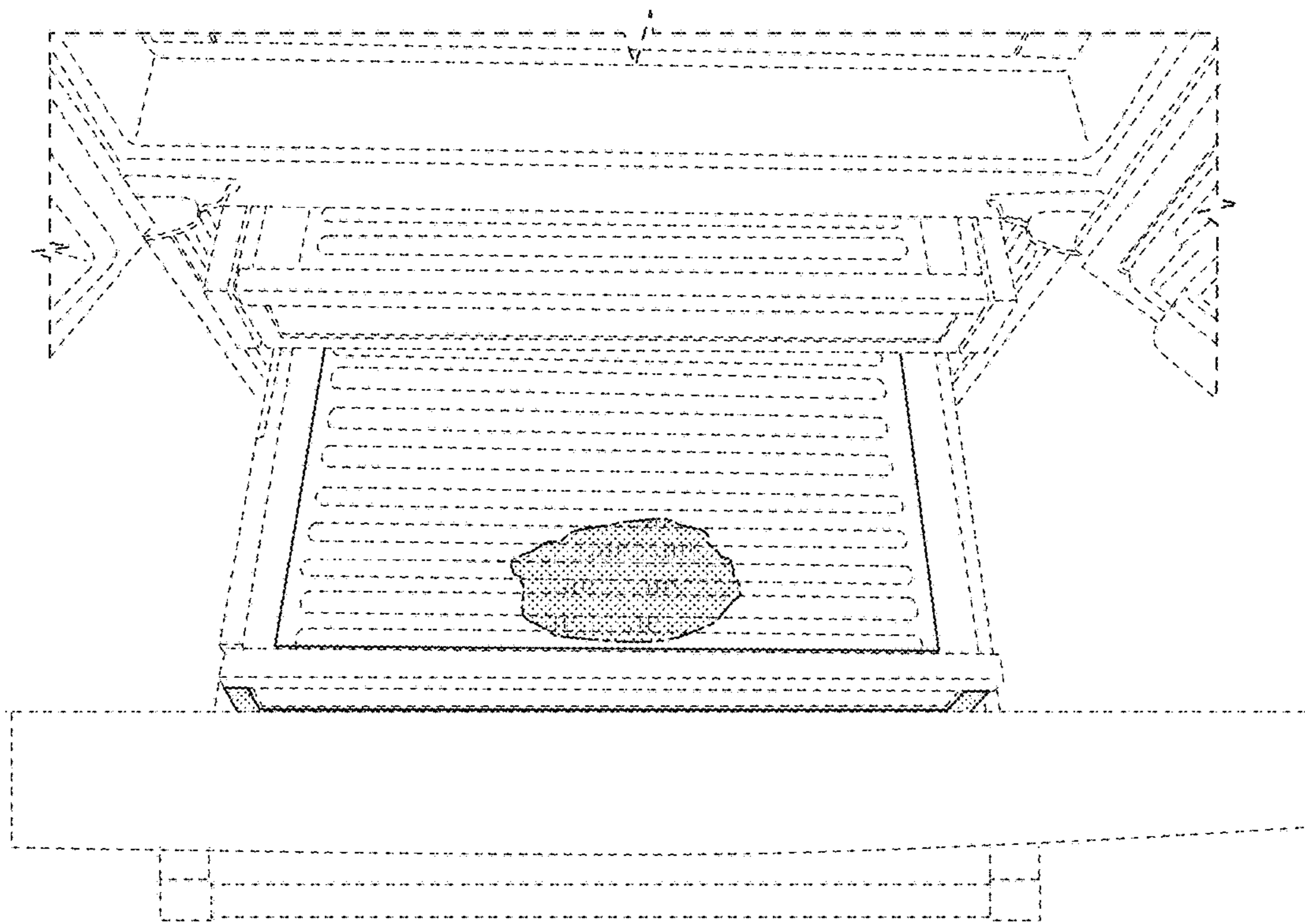


FIG. 33

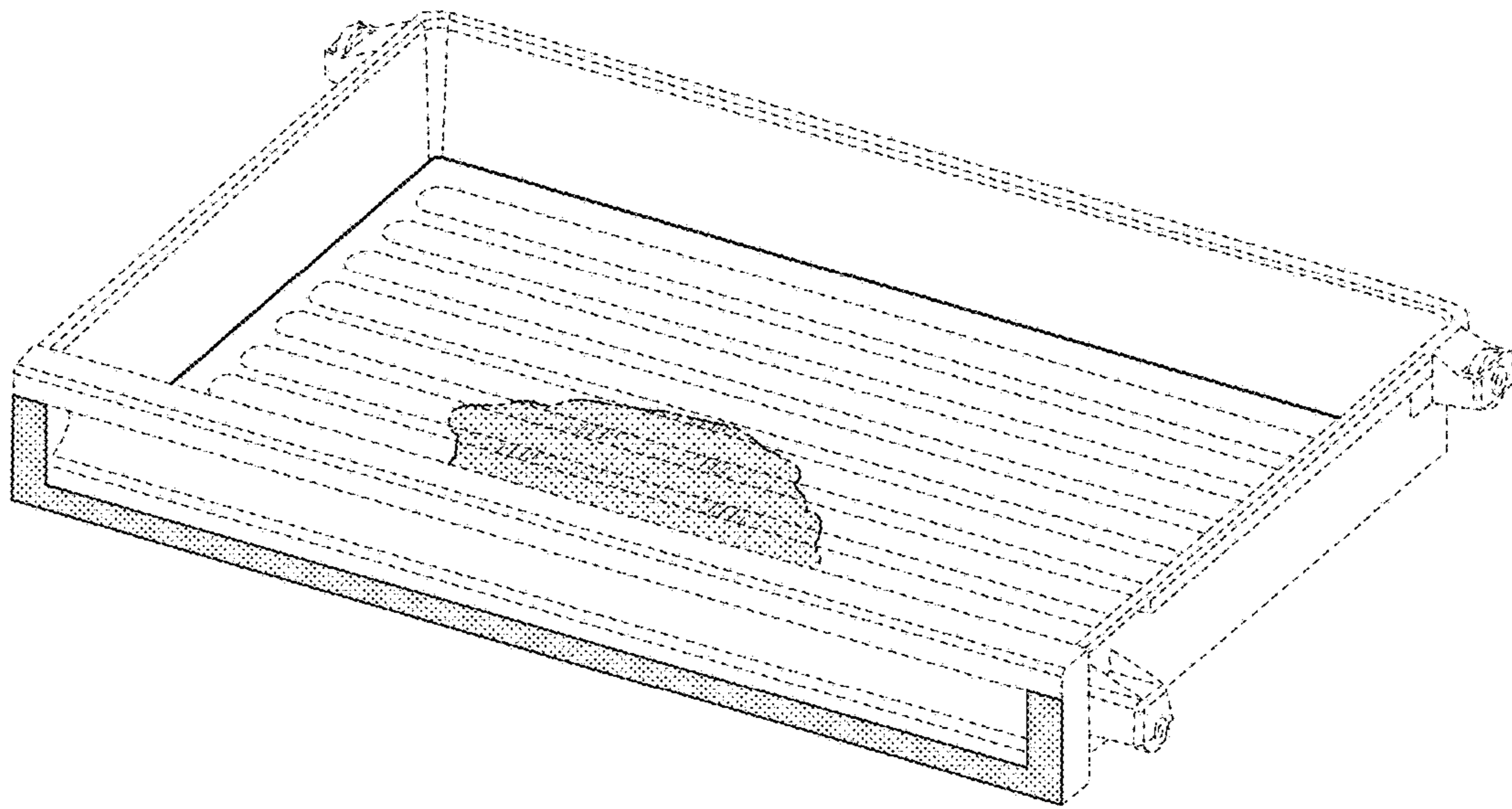


FIG. 34



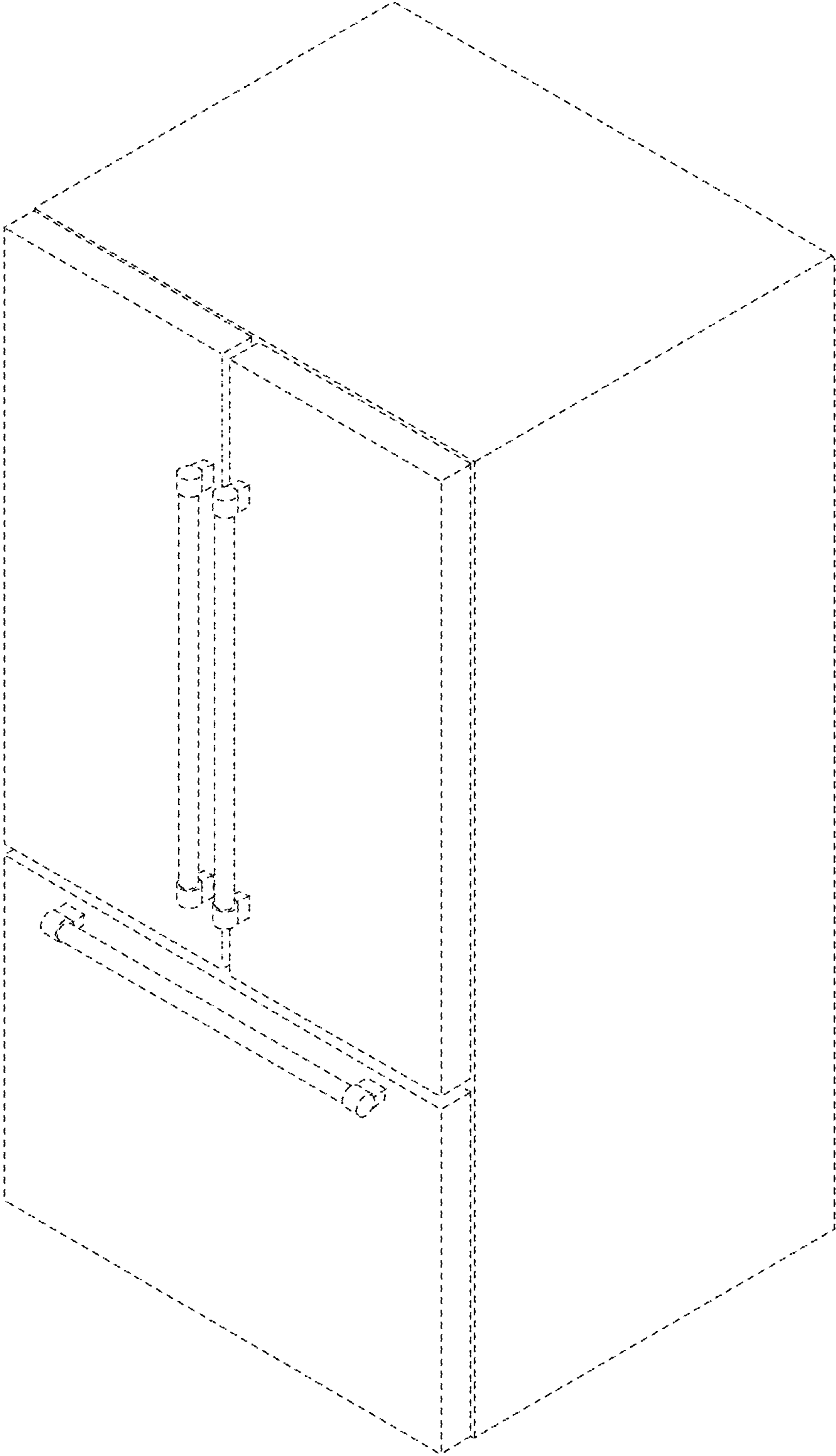


FIG. 35

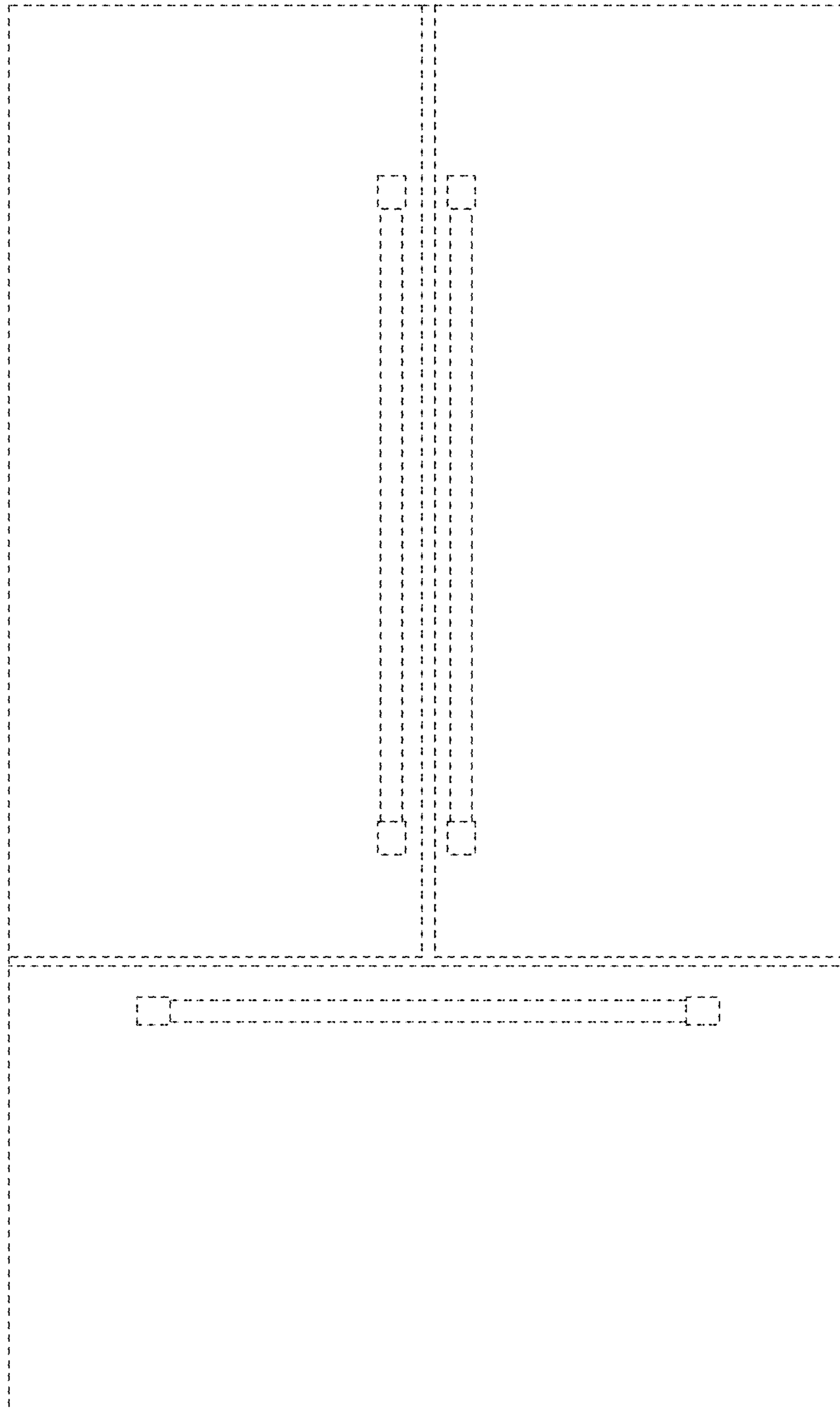
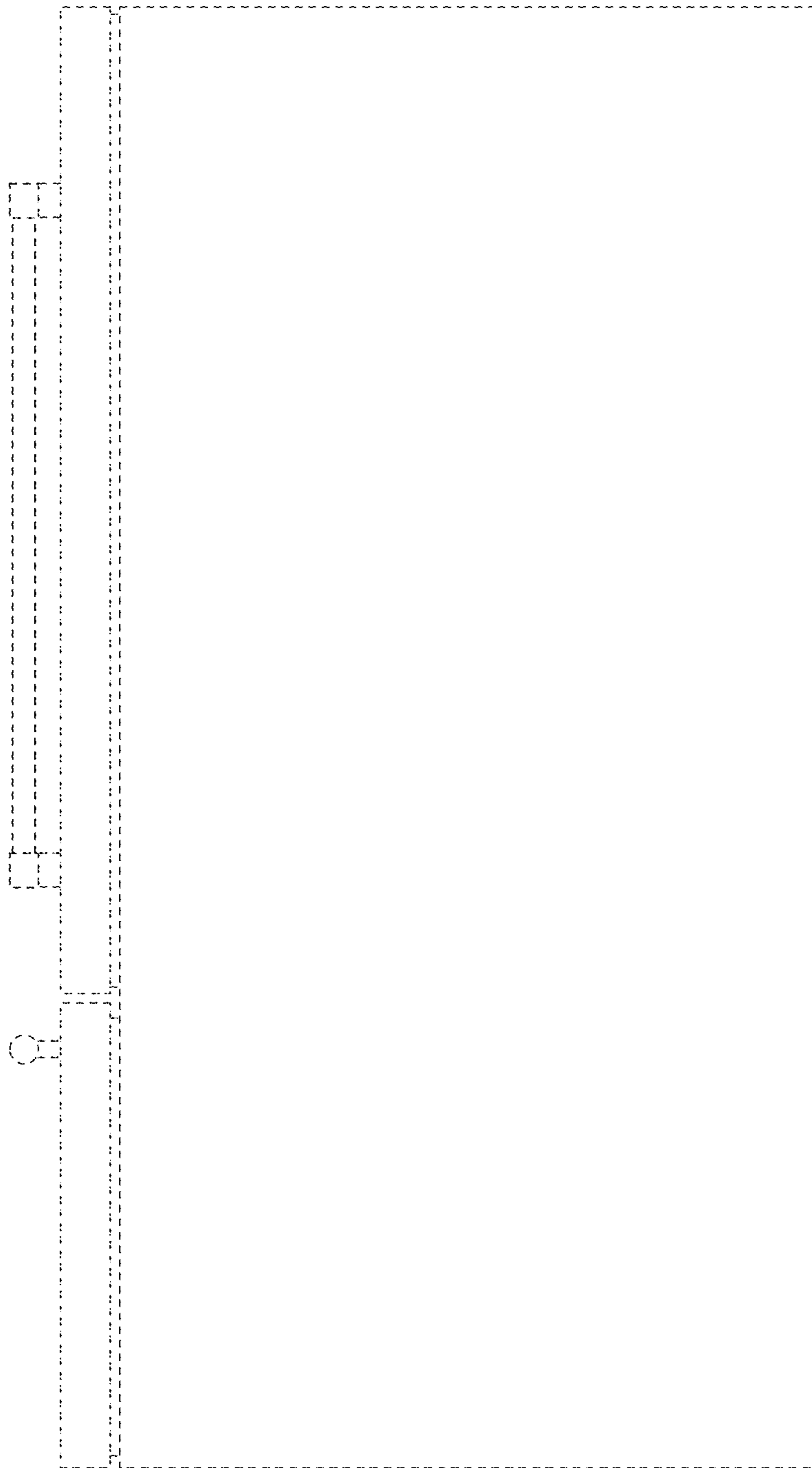
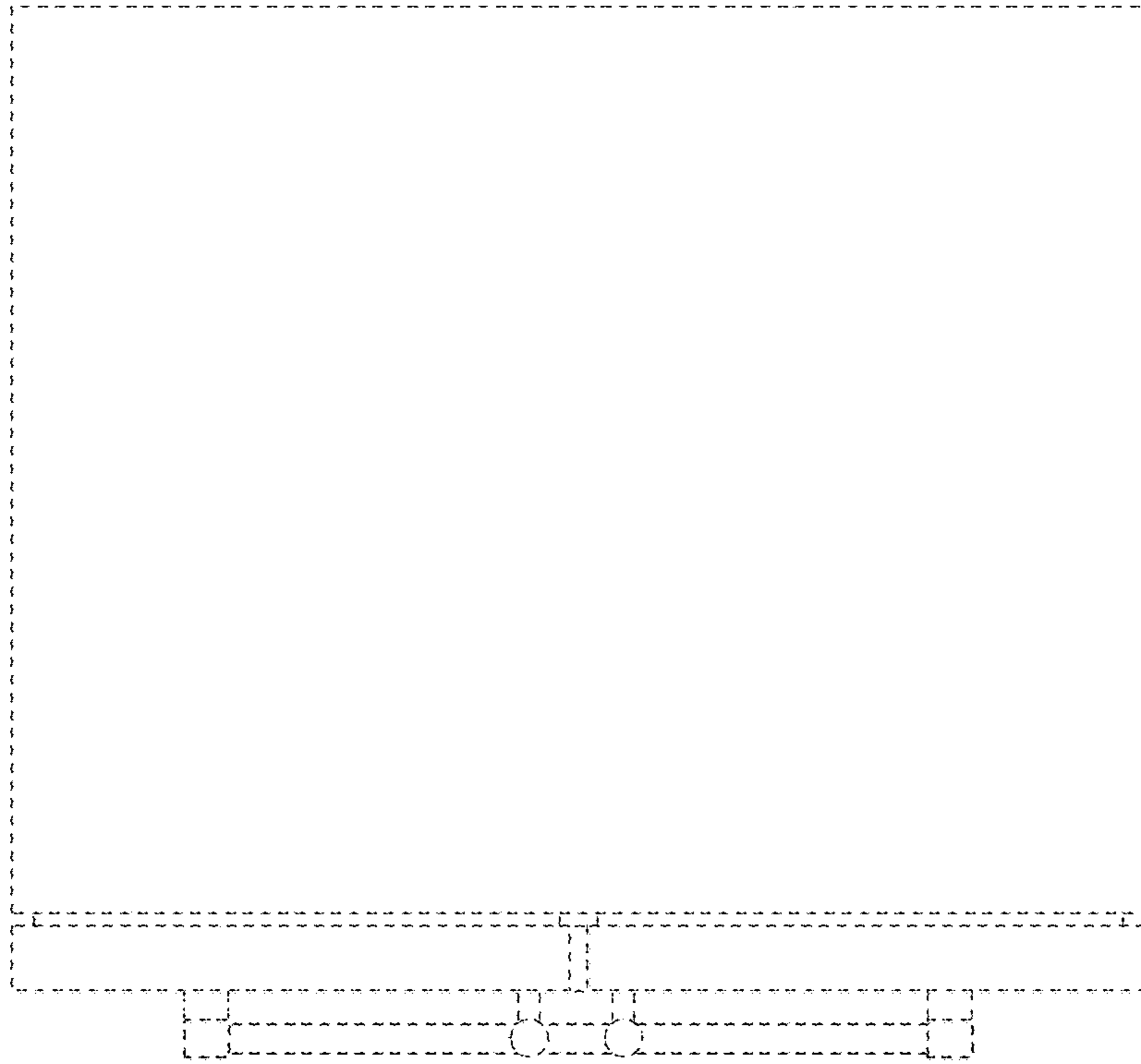


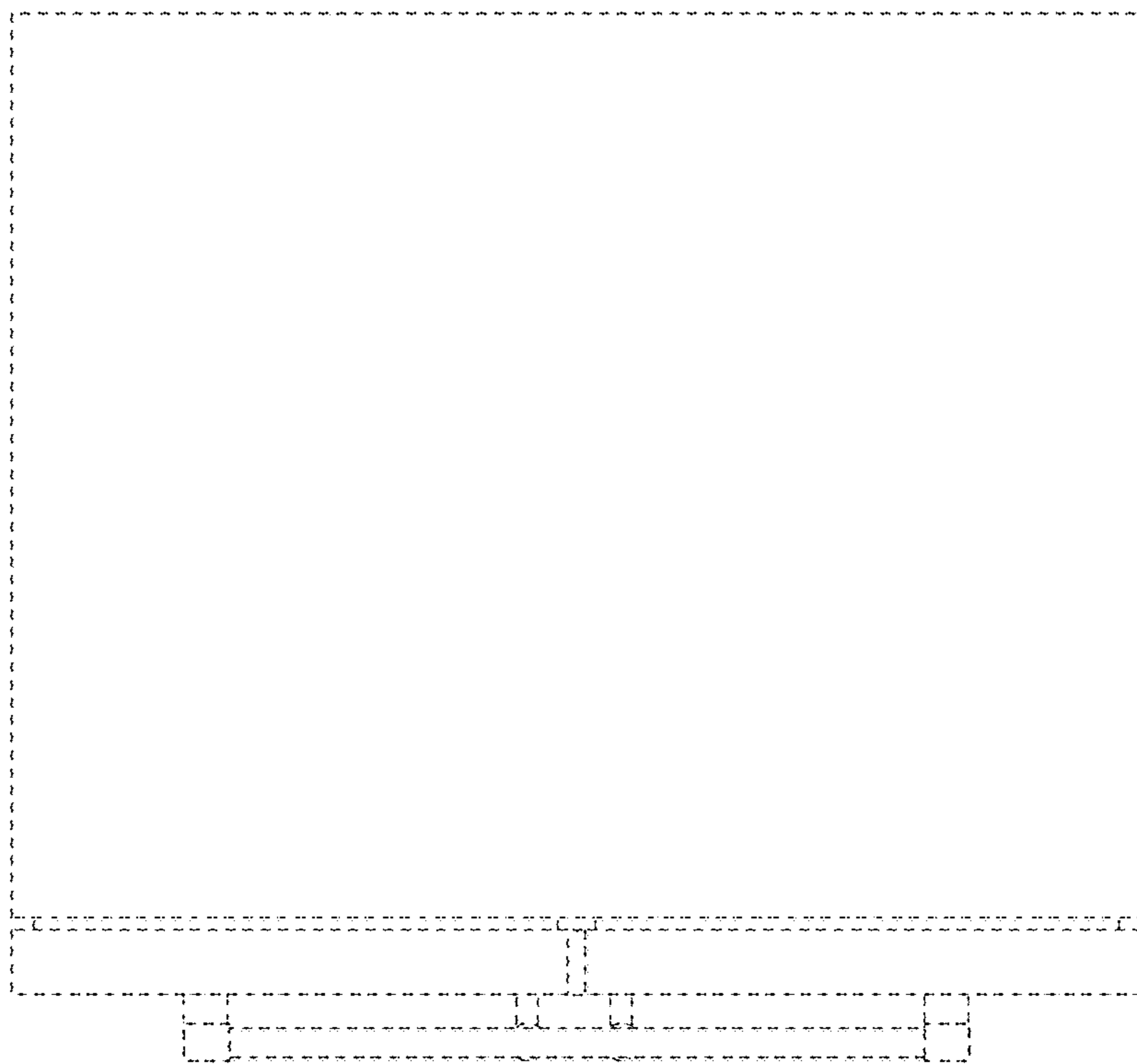
FIG. 36



**FIG. 37**



**FIG. 38**



**FIG. 39**

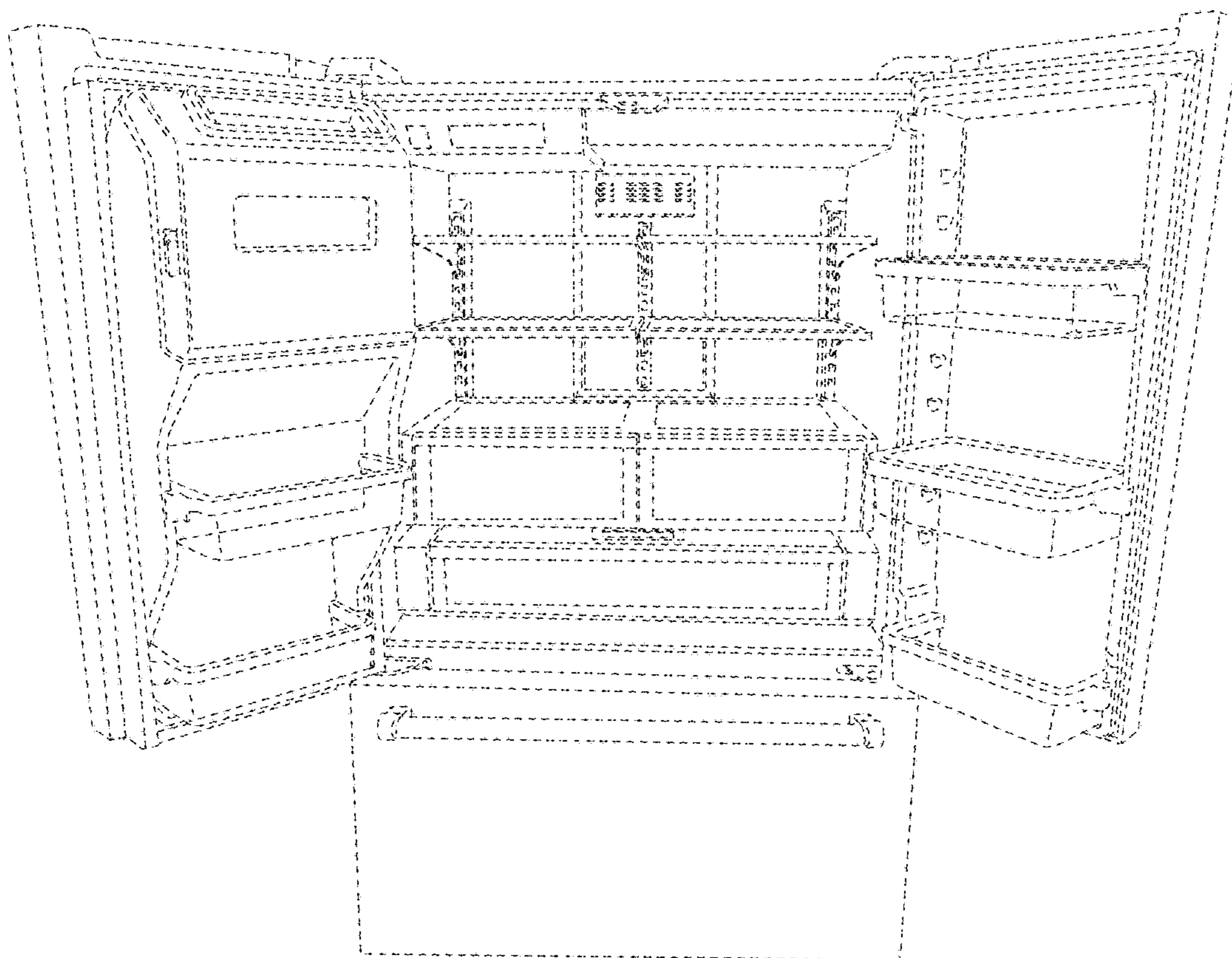


FIG. 40



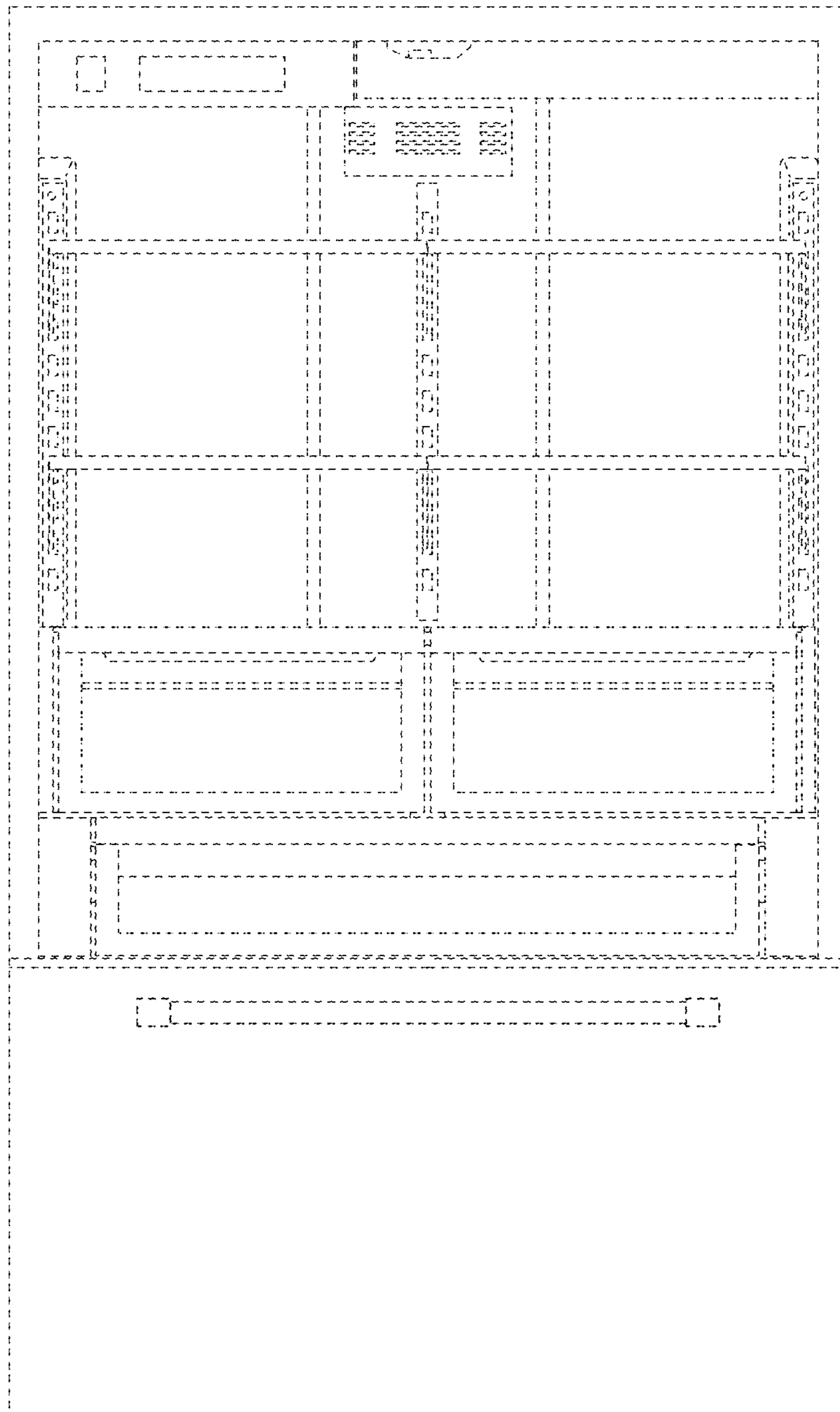


FIG. 41

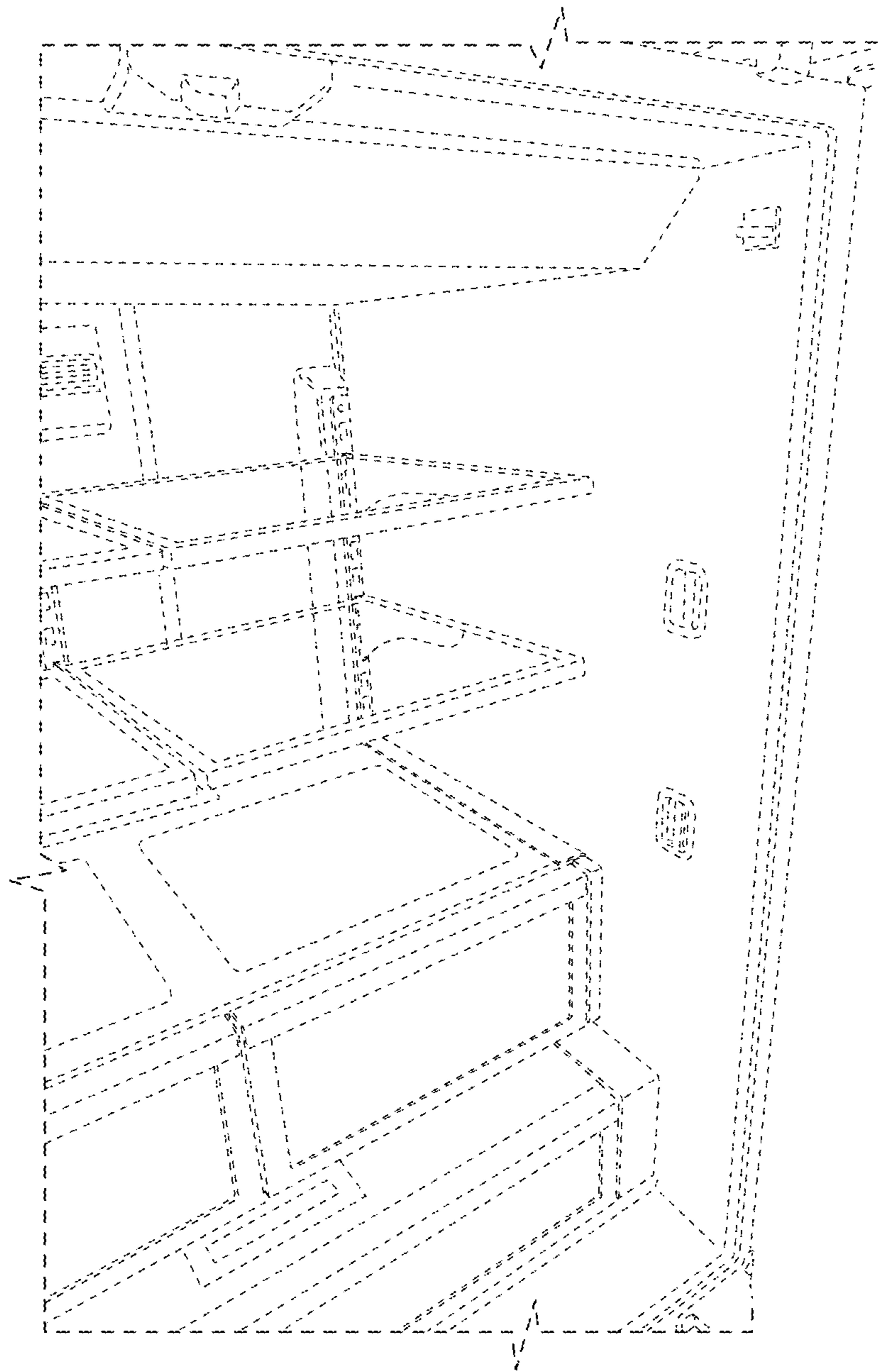


FIG. 42

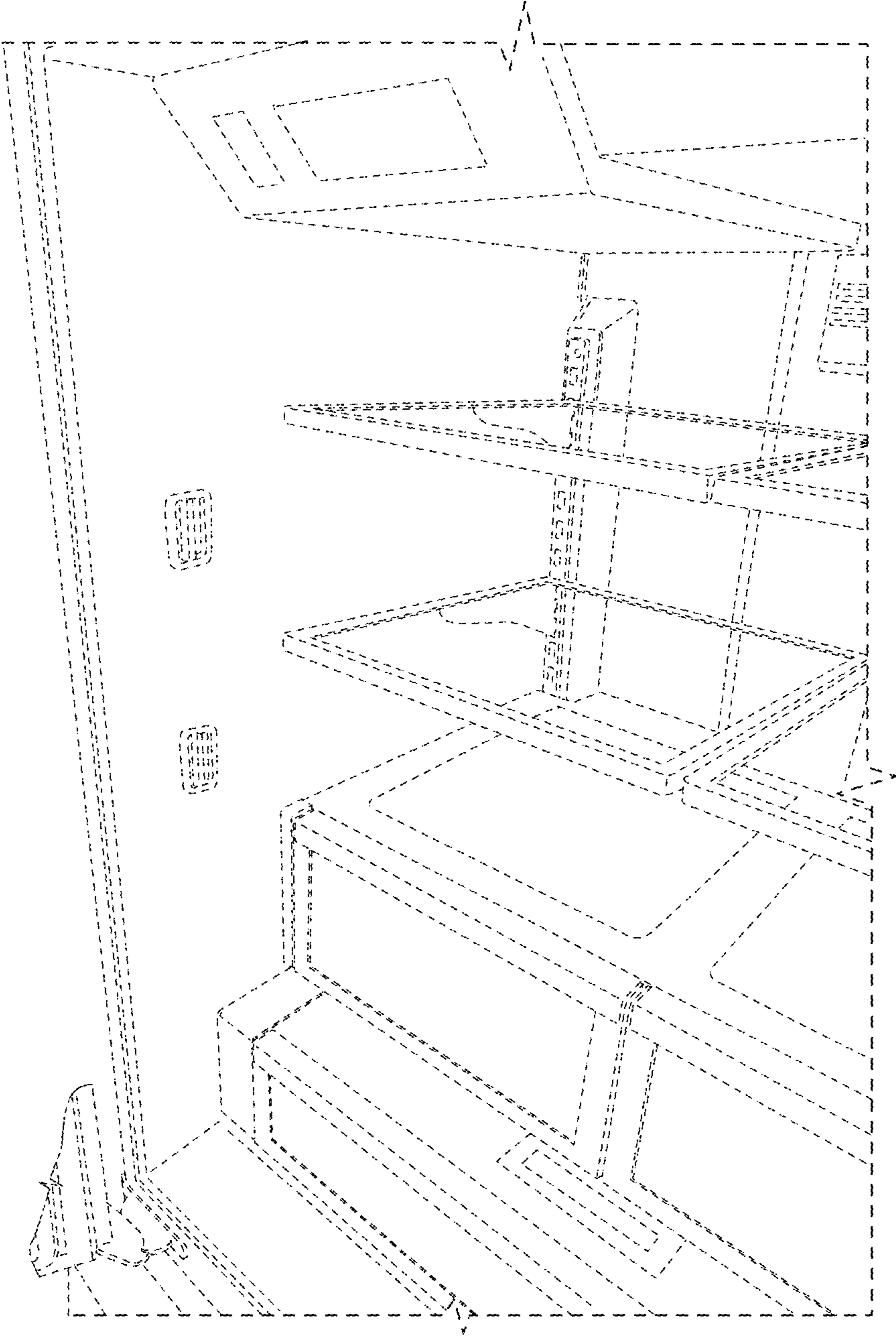


FIG. 43

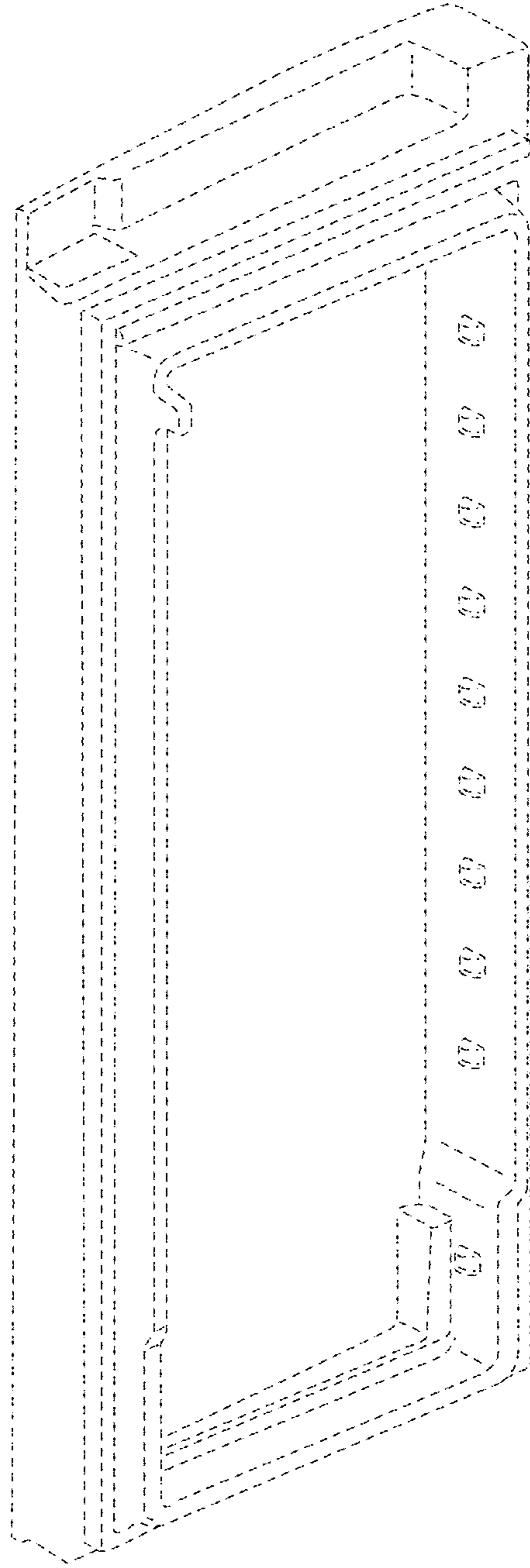


FIG. 44

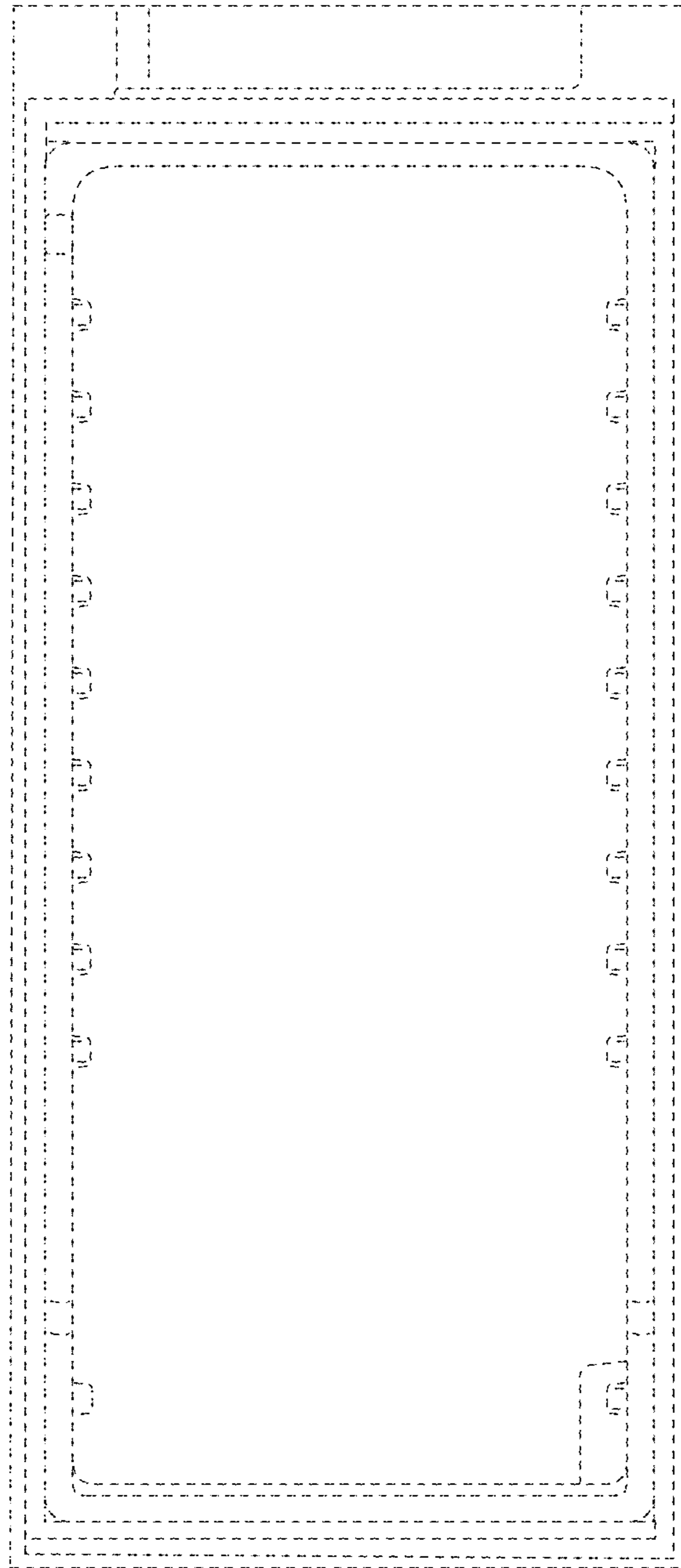


FIG. 45



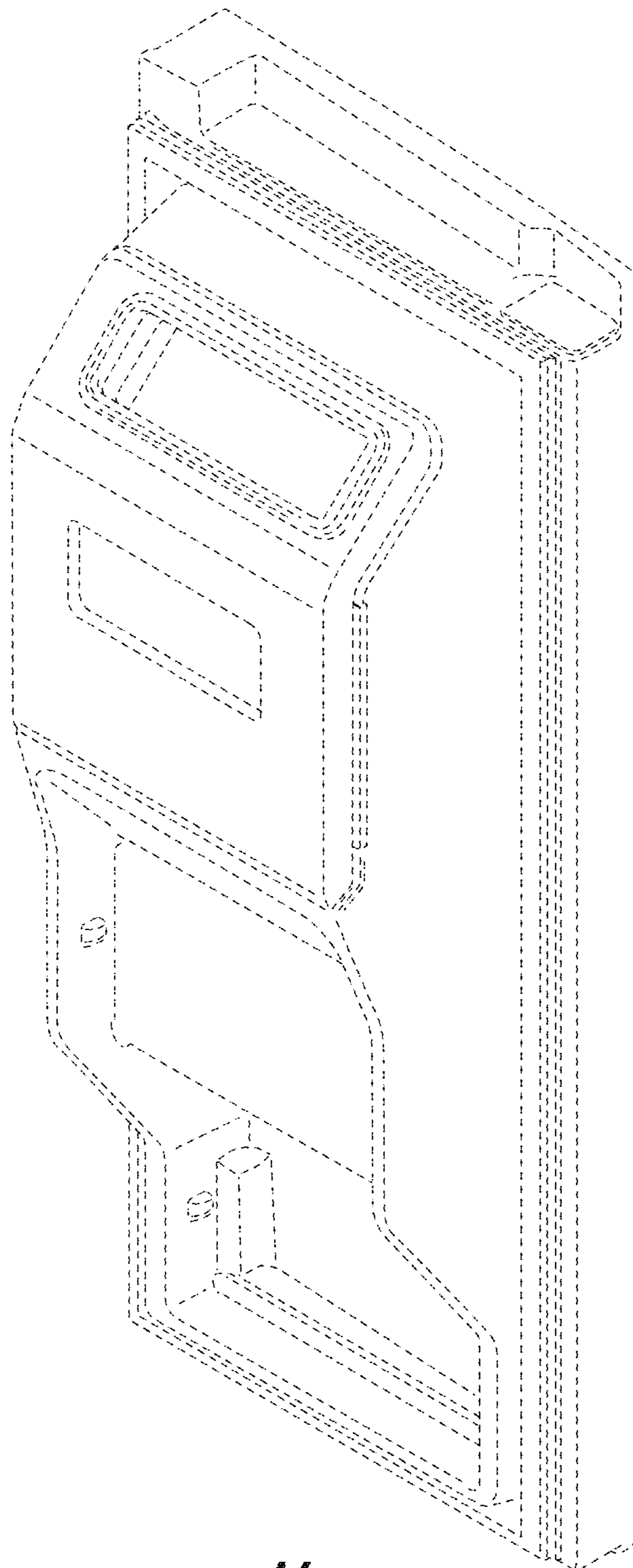


FIG. 46

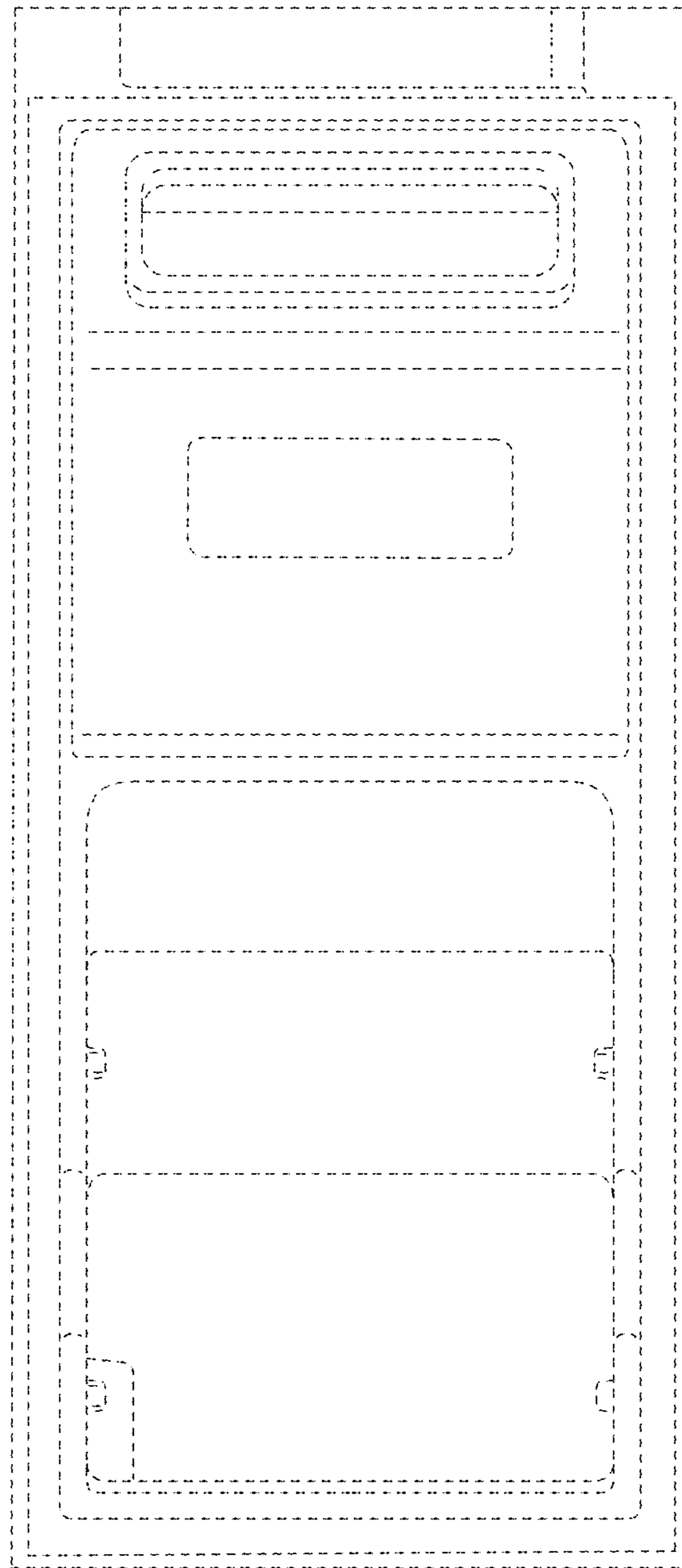


FIG. 47

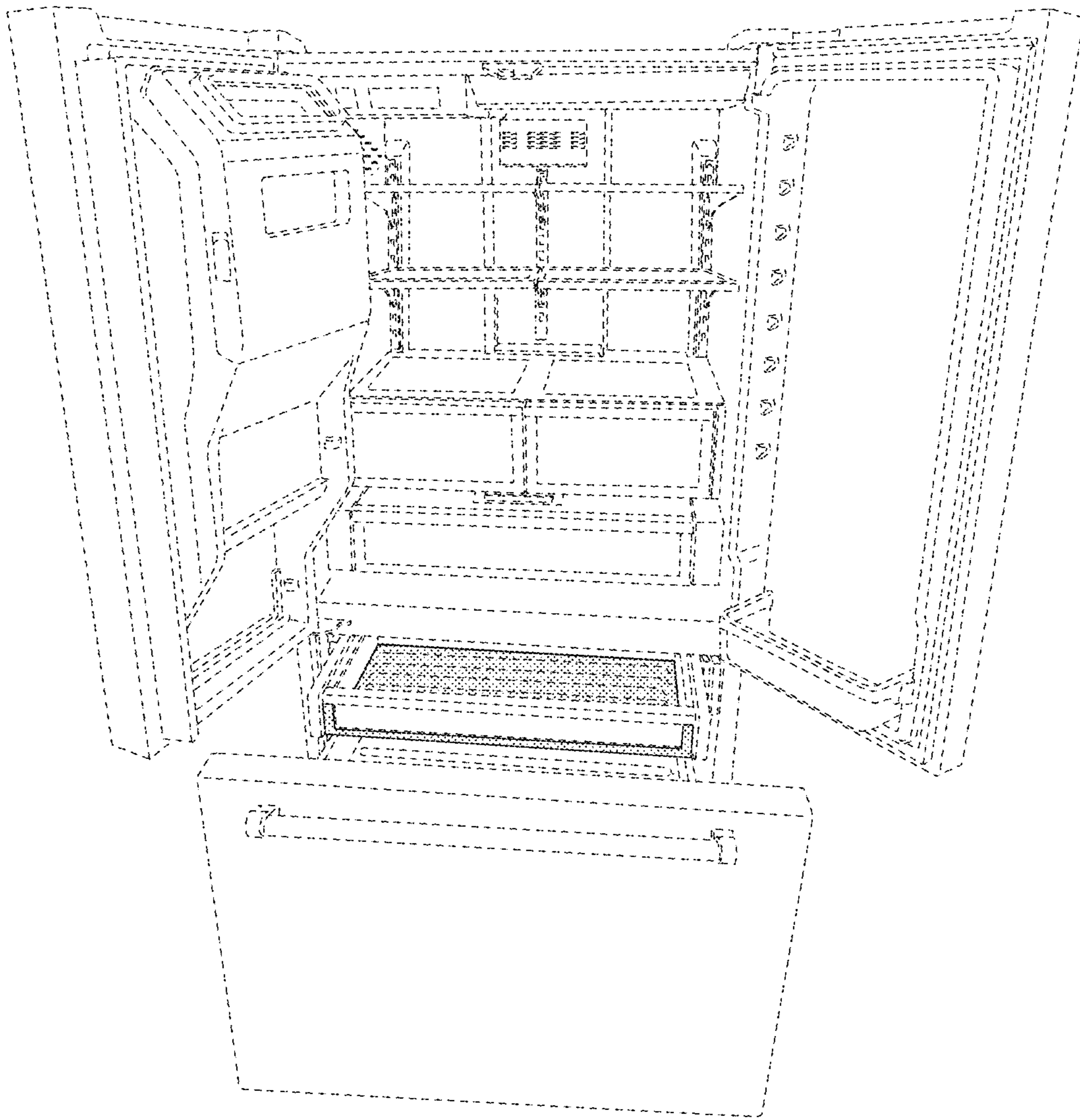


FIG. 48

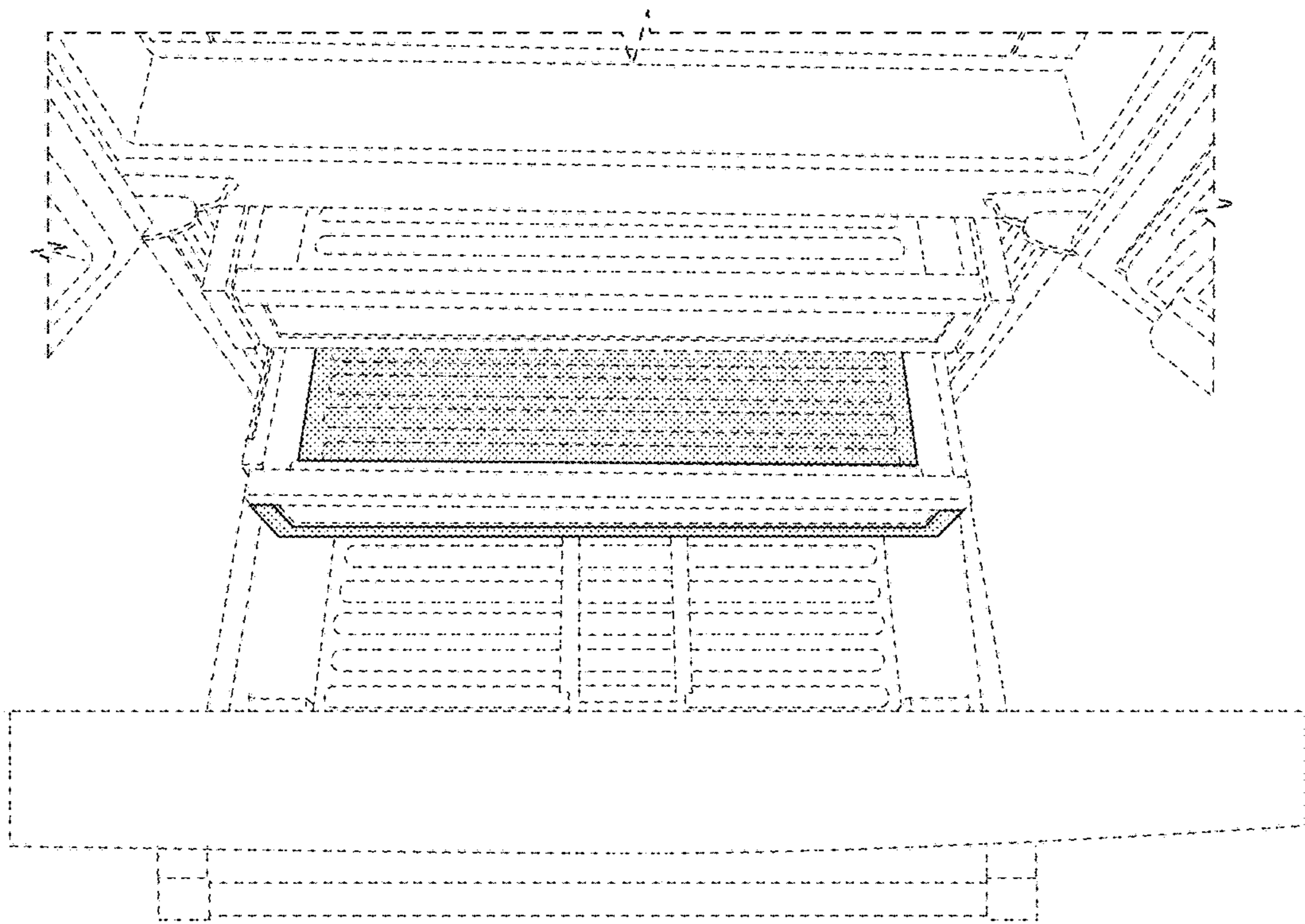


FIG. 49

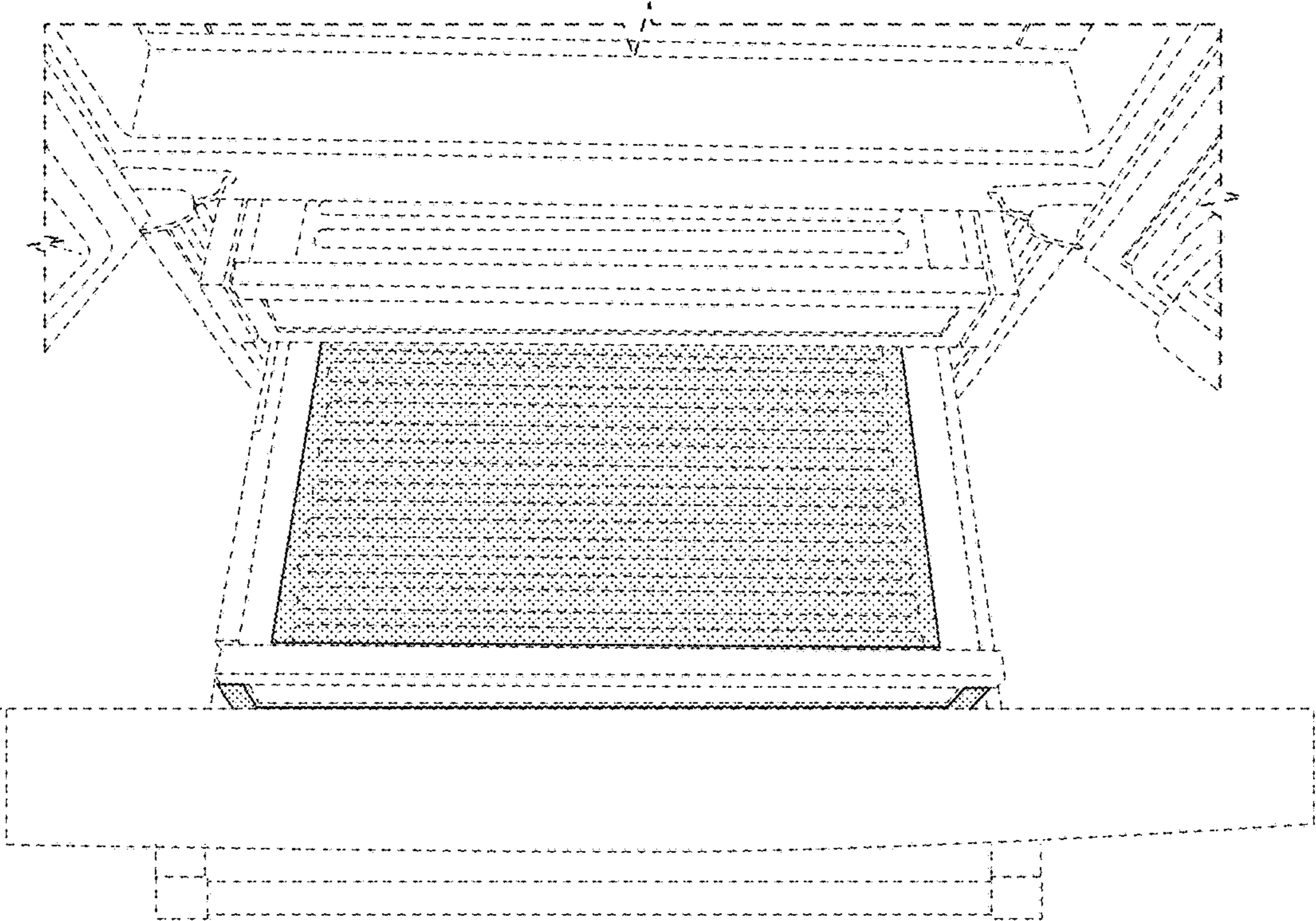
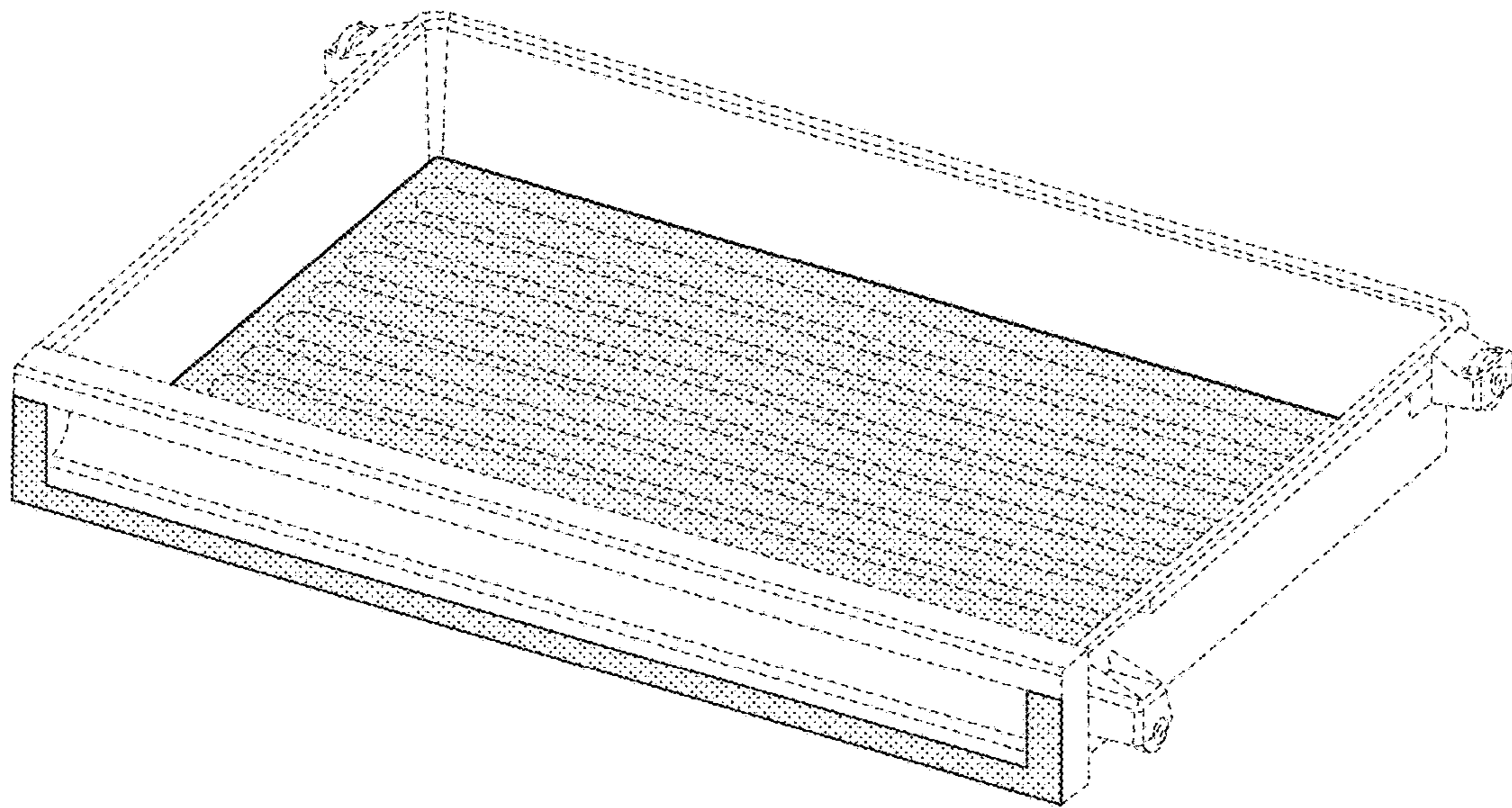


FIG. 50





**FIG. 51**