



US00D820887S

(12) **United States Design Patent** (10) **Patent No.:** **US D820,887 S**
Lee et al. (45) **Date of Patent:** **** Jun. 19, 2018**

(54) **REFRIGERATOR**

2700/02; F25D 2700/04; F25D 2700/06;
F25D 2700/16; F25D 29/00; F25D
29/008; F25D 31/002; F25D 31/005;
F25D 31/007; F25D 3/08

(71) Applicant: **Samsung Electronics Co., Ltd.**,
Suwon-si (KR)

See application file for complete search history.

(72) Inventors: **Seon-Ju Lee**, Seoul (KR); **Dajeong Kim**, Seoul (KR); **Choongeun Lee**, Seoul (KR); **Yeonjin Jo**, Suwon-si (KR)

(56) **References Cited**

U.S. PATENT DOCUMENTS

(73) Assignee: **Samsung Electronics Co., Ltd.**,
Suwon-si (KR)

D309,122 S * 7/1990 Biemolt D11/145
D647,112 S * 10/2011 Okamoto D15/81
D671,148 S * 11/2012 Kim D15/81
D702,266 S * 4/2014 Mihyun D15/85
D720,374 S * 12/2014 Kim D15/91

(**) Term: **15 Years**

(Continued)

(21) Appl. No.: **29/592,911**

Primary Examiner — Ian Simmons

(22) Filed: **Feb. 3, 2017**

Assistant Examiner — Khawaja Anwar

(30) **Foreign Application Priority Data**

(74) *Attorney, Agent, or Firm* — NSIP Law

Aug. 26, 2016 (KR) 30-2016-0041868

(51) **LOC (11) Cl.** **15-07**

(52) **U.S. Cl.**
USPC **D15/88**

(58) **Field of Classification Search**

USPC D15/79–91
CPC F25D 23/028; F25D 27/00; F25D 27/005;
F25D 23/062; F25D 23/065; F25D
2323/021; F25D 2323/024; F25D
2327/001; F25D 23/067; F25D 2400/40;
F25D 25/024; F25D 11/00; F25D 11/003;
F25D 15/00; F25D 17/02; F25D 21/04;
F25D 2201/12; F25D 2303/081; F25D
2323/02; F25D 2323/023; F25D 2323/06;
F25D 2323/061; F25D 2323/121; F25D
2325/021; F25D 2325/022; F25D
2331/803; F25D 2331/805; F25D 23/006;
F25D 23/02; F25D 23/06; F25D 23/061;
F25D 23/066; F25D 23/068; F25D 23/08;
F25D 23/126; F25D 2400/04; F25D
2400/28; F25D 2400/32; F25D 2400/36;
F25D 25/02; F25D 25/025; F25D

(57) **CLAIM**

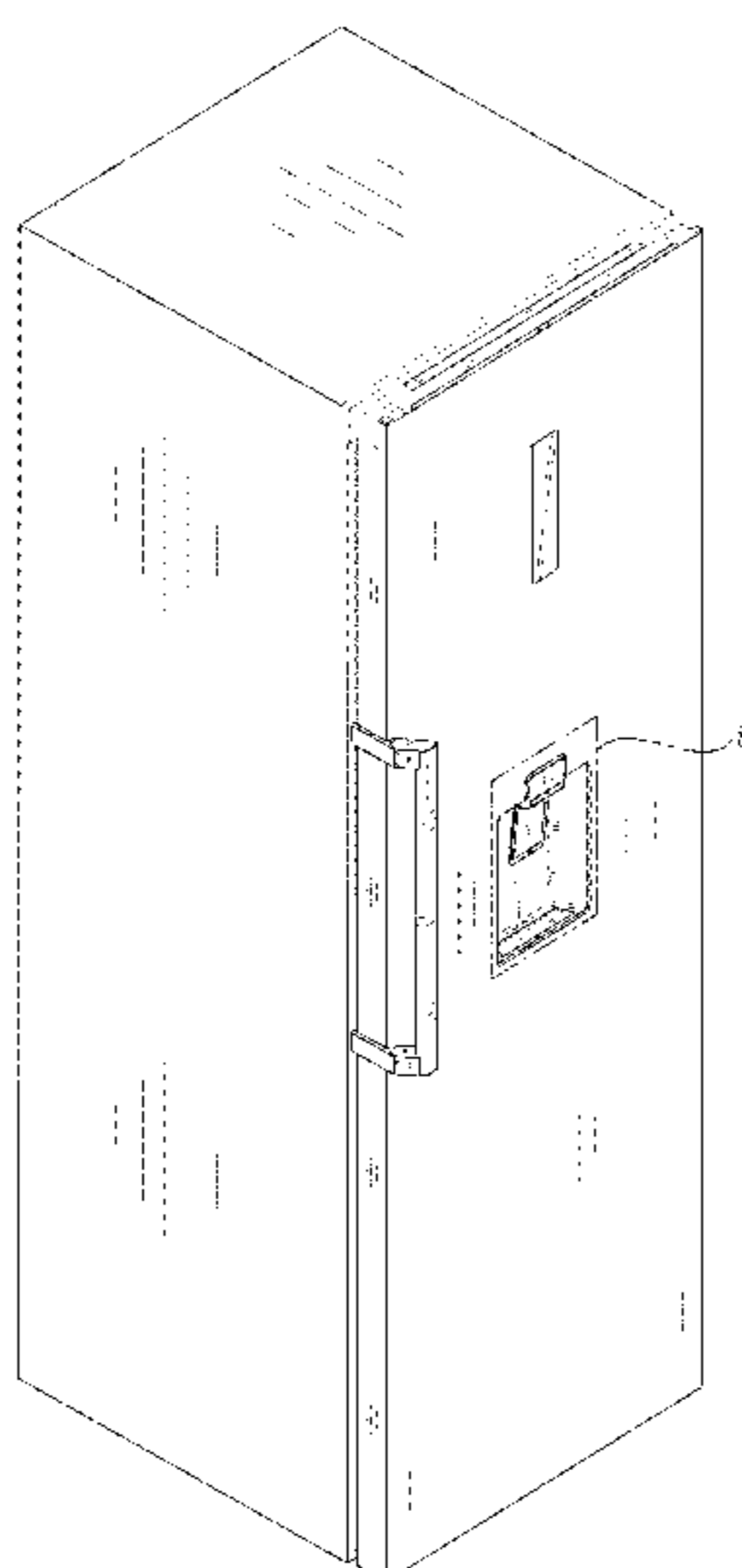
We claim the ornamental design for a refrigerator, as shown and described.

DESCRIPTION

FIG. 1 is a front perspective view of a refrigerator showing our new design;
FIG. 2 is a front view thereof;
FIG. 3 is a rear view thereof;
FIG. 4 is a left-side view thereof;
FIG. 5 is a right-side view thereof;
FIG. 6 is a top view thereof;
FIG. 7 is a bottom view thereof; and,
FIG. 8 is an enlarged view of the encircled portion in FIG. 1.

The broken lines in the figures depict environmental subject matter and form no part of the claimed design. The dot-dot-dash broken lines encircling portions of the claimed design that are illustrated in enlargements form no part of the claimed design.

1 Claim, 7 Drawing Sheets



(56)

References Cited

U.S. PATENT DOCUMENTS

D735,781 S * 8/2015 Hwang D15/81
D736,276 S * 8/2015 Kim D15/89

* cited by examiner

FIG. 1

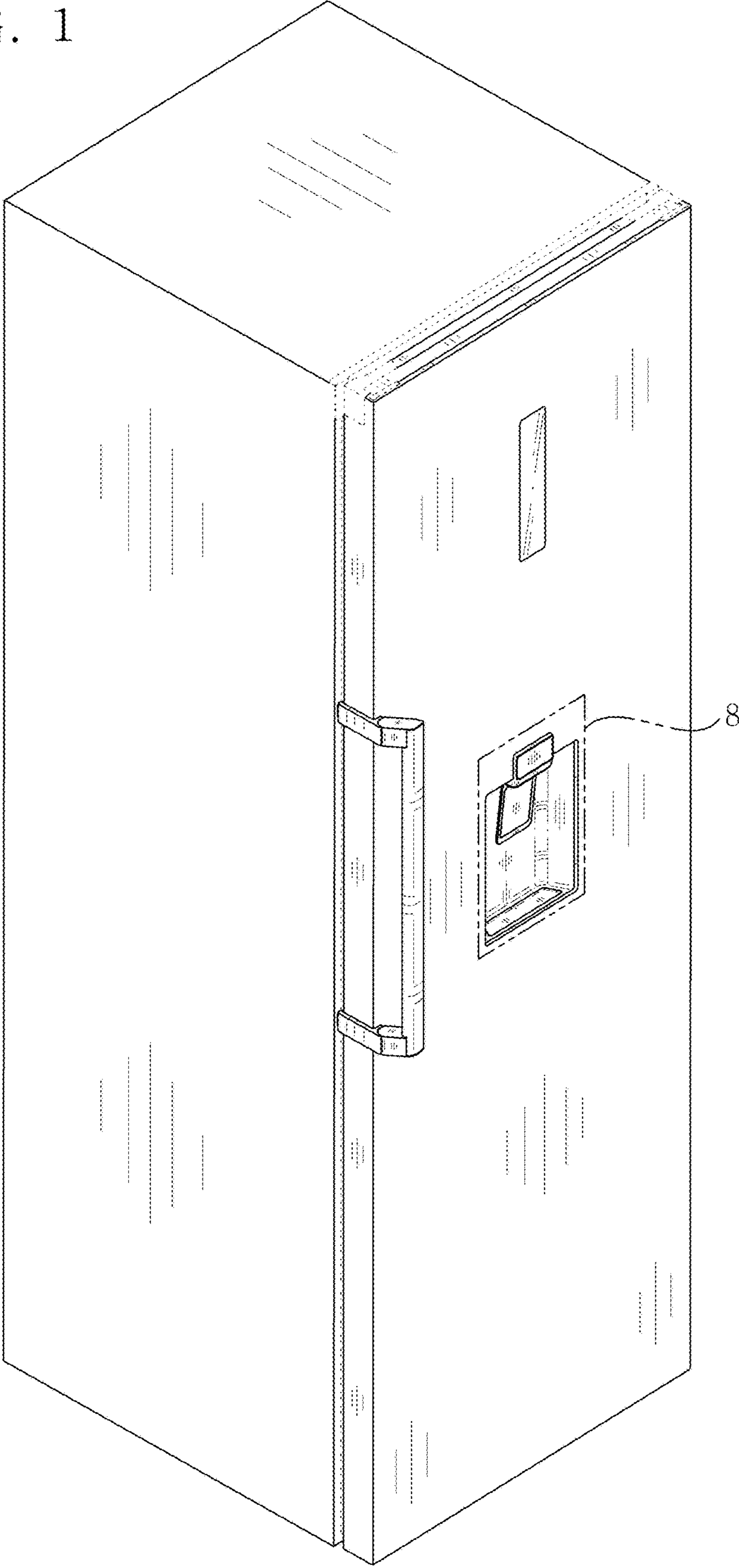


FIG. 2

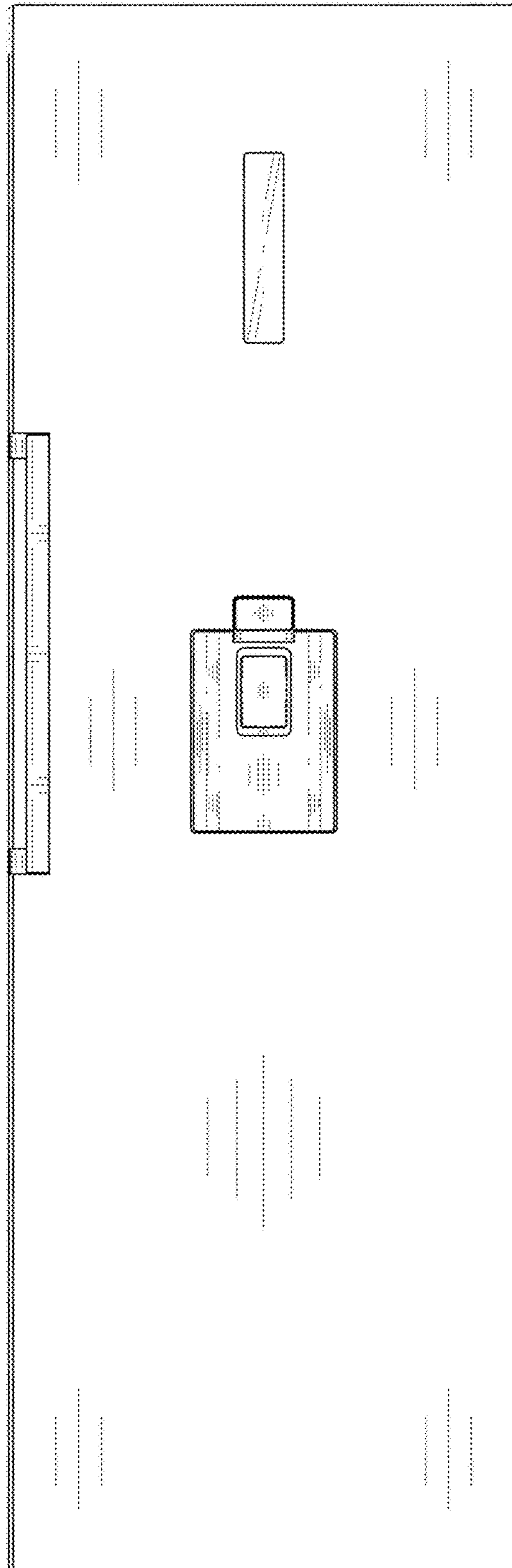


FIG. 3

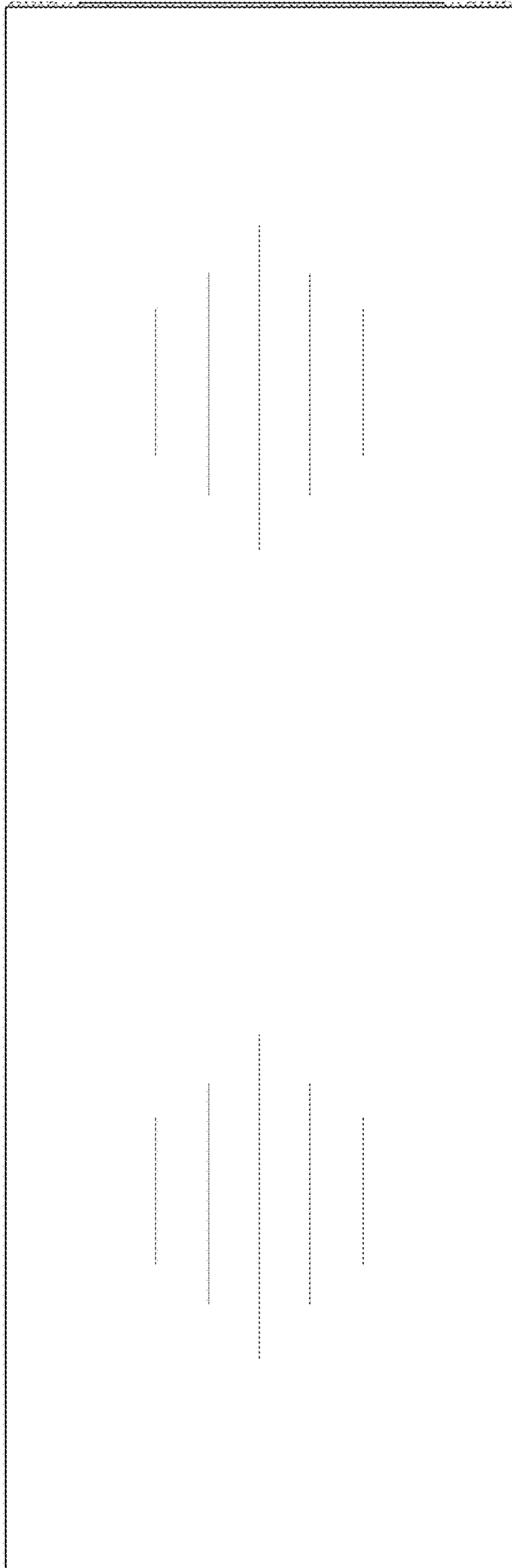


FIG. 4

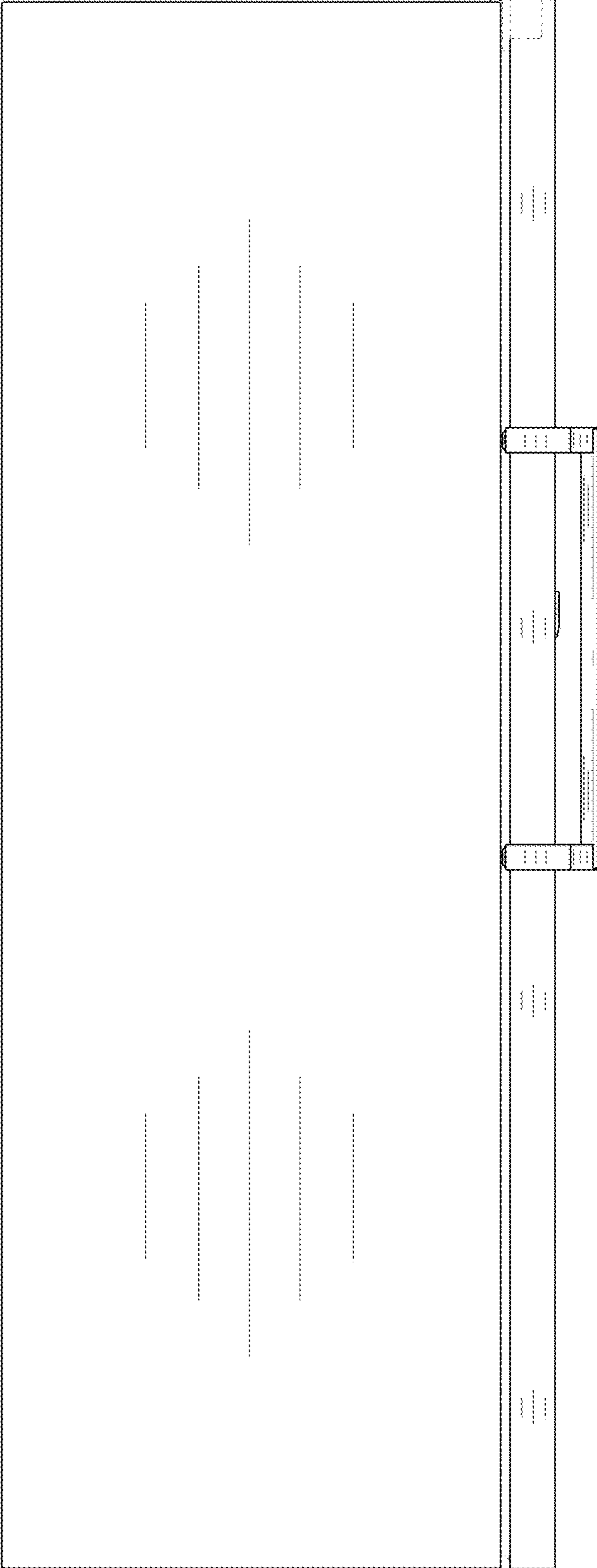


FIG. 5

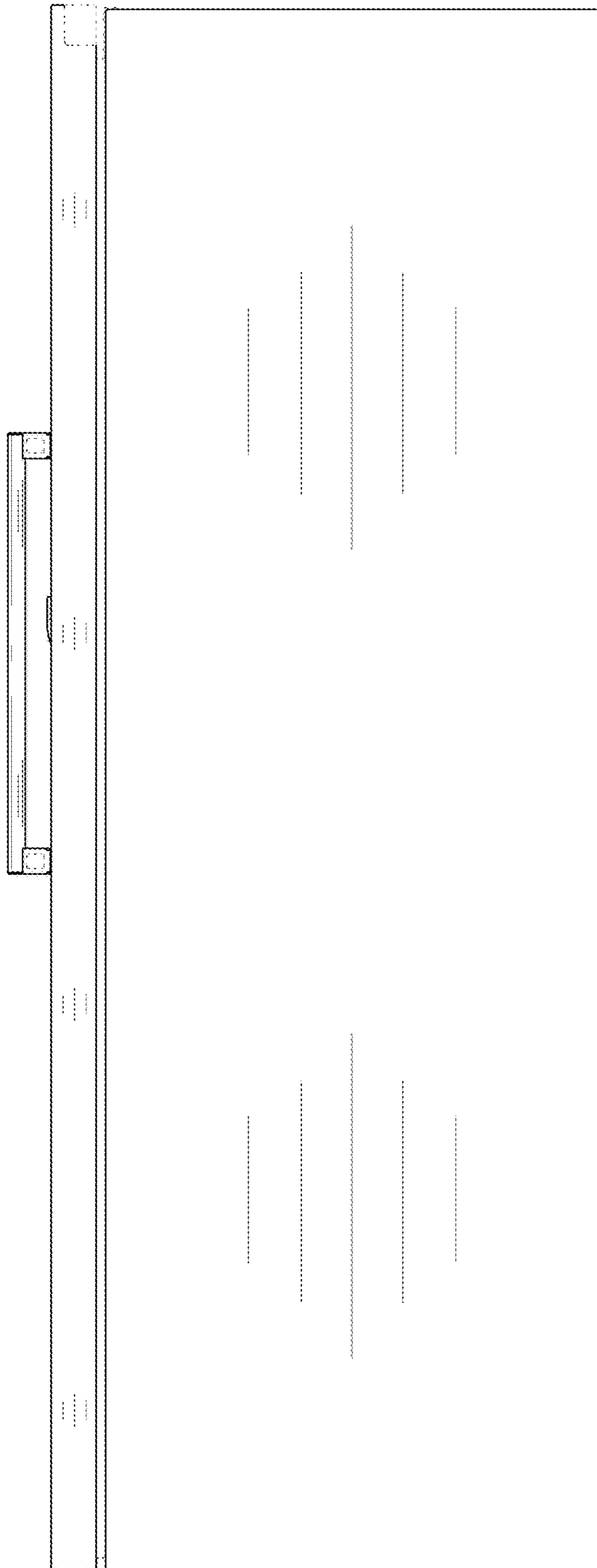


FIG. 6

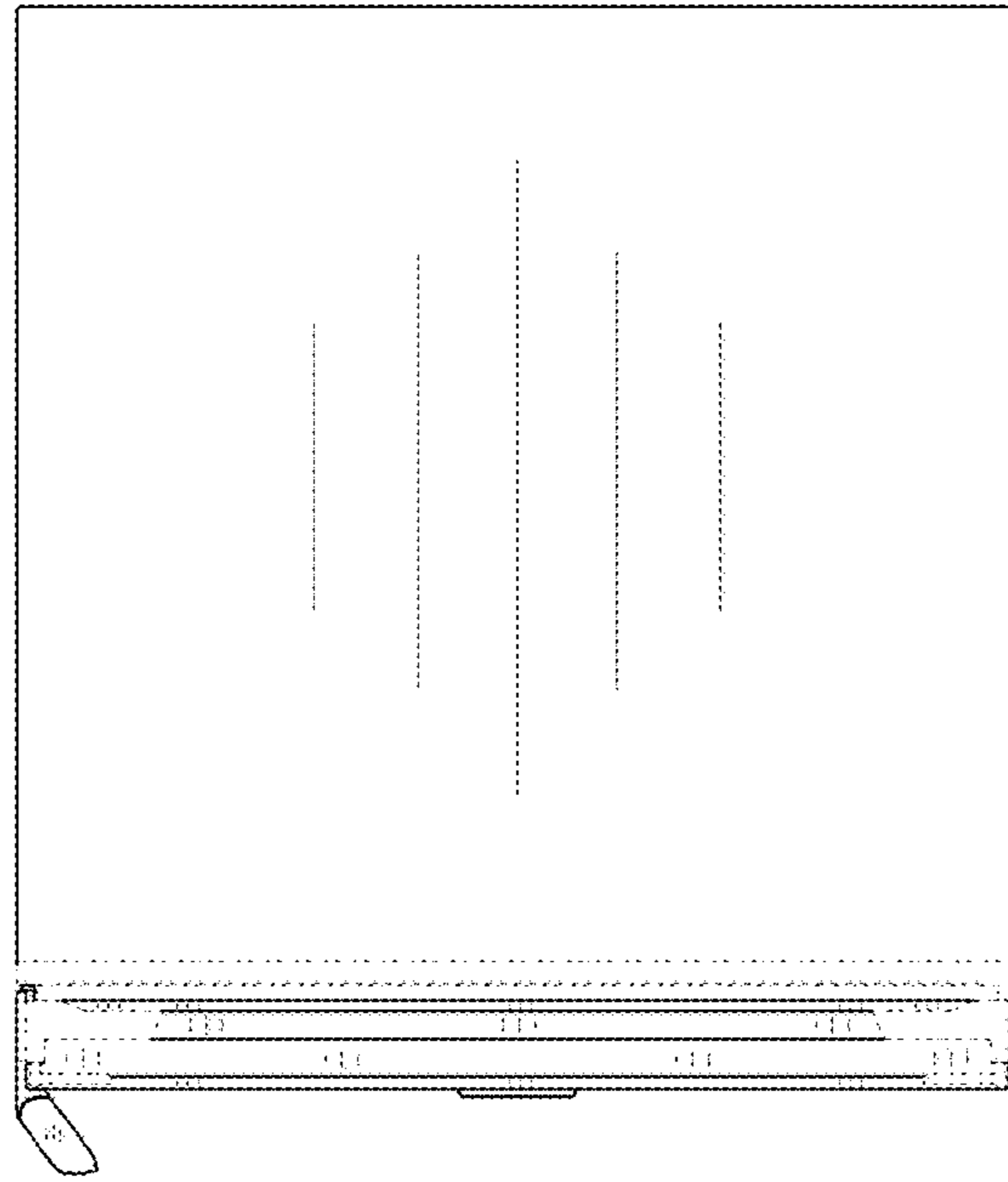


FIG. 7

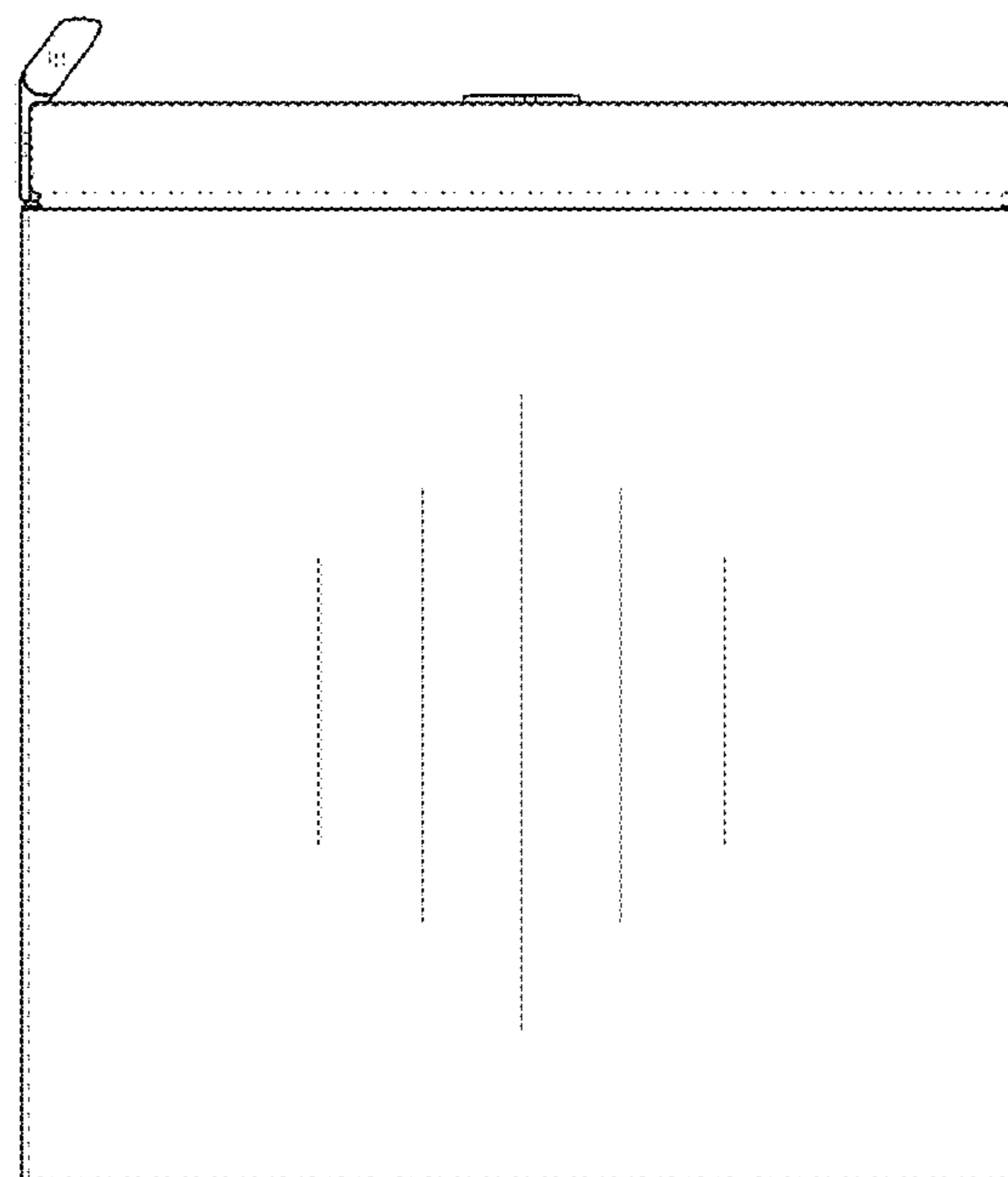


FIG. 8

