



US00D820886S

(12) **United States Design Patent**
Ewringmann

(10) **Patent No.:** **US D820,886 S**
(45) **Date of Patent:** **** Jun. 19, 2018**

- (54) **SCREED WITH LATERAL SLIDER** 3,907,451 A * 9/1975 Fisher E01C 19/4873
404/101
- (71) Applicant: **Joseph Voegele AG**, Ludwigshafen am Rhein (DE) D239,966 S 5/1976 Swisher, Jr. et al.
4,272,213 A * 6/1981 McGovarin E01C 19/40
404/118
- (72) Inventor: **Ulrich Ewringmann**, Taufkirchen-Potzham (DE) D324,053 S 2/1992 Smrt
5,201,603 A 4/1993 Bassett et al.
5,203,642 A 4/1993 Heller et al.
- (73) Assignee: **Joseph Voegele AG**, Ludwigshafen/Rhein (DE) (Continued)

FOREIGN PATENT DOCUMENTS

- (**) Term: **15 Years** EM 001322689-0003 4/2012
- (21) Appl. No.: **29/544,519** EM 001322689-0004 4/2012

(Continued)

(22) Filed: **Nov. 4, 2015**

Primary Examiner — Cynthia Ramirez

Related U.S. Application Data

(74) *Attorney, Agent, or Firm* — Brooks Kushman P.C.

(62) Division of application No. 29/468,956, filed on Oct. 4, 2013, now Pat. No. Des. 753,189.

(57) **CLAIM**

(30) **Foreign Application Priority Data**

The ornamental design for a screed with lateral slider, as shown and described.

Apr. 12, 2013 (EM) 001369649

DESCRIPTION

(51) **LOC (11) Cl.** **15-03**

(52) **U.S. Cl.**

USPC **D15/19**

(58) **Field of Classification Search**

USPC D15/19, 13, 22–26, 28; 404/110, 101,
404/108, 75, 102, 118, 84.8, 105, 72,
404/84.5

CPC E01C 19/42; E01C 19/48; E01C 19/002;
E01C 19/176; E01C 19/402; E01C 23/00;
E04F 21/24

See application file for complete search history.

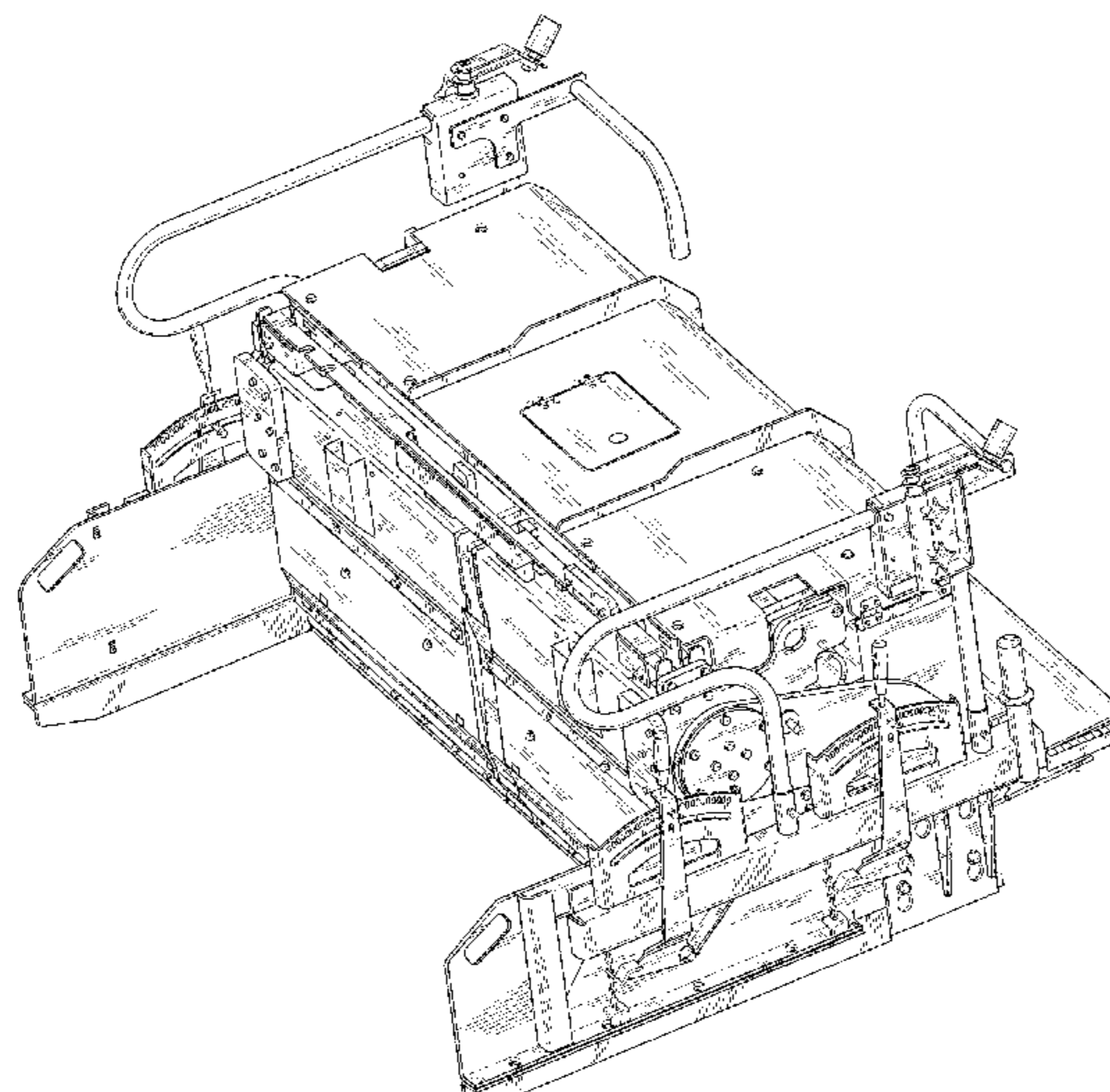
FIG. 1 shows a view onto the rear side of a screed with lateral slider of FIG. 1;
 FIG. 2 shows a view onto the right side of the screed with lateral slider of FIG. 1;
 FIG. 3 shows a view onto the front side of the screed with lateral slider of FIG. 1;
 FIG. 4 shows a view onto the left side of the screed with lateral slider of FIG. 1;
 FIG. 5 shows a view onto the top side of the screed with lateral slider of FIG. 1;
 FIG. 6 shows a perspective view onto the rear side, right side and top side of the screed with lateral slider of FIG. 1; and,
 FIG. 7 shows a further perspective view onto the front side, left side and top side of the screed with lateral slider of FIG. 1.

(56) **References Cited**

U.S. PATENT DOCUMENTS

- 2,591,502 A 4/1952 Bohannan et al.
- 3,557,672 A * 1/1971 Shurtz E01C 19/4873
404/118

1 Claim, 7 Drawing Sheets



(56)

References Cited

U.S. PATENT DOCUMENTS

5,511,900	A	4/1996	Macku		EM	001322689-0010	4/2012
6,203,243	B1 *	3/2001	Birtchet	E01C 19/42	EM	001322689-0011	4/2012
				404/104	EM	001322689-0012	4/2012
6,273,636	B1 *	8/2001	Johanpeter	E01C 19/4893	EM	001322689-0013	4/2012
				404/104	EM	001289920-0001	7/2012
6,375,386	B1 *	4/2002	Macku	E01F 9/65	EM	001289920-0002	7/2012
				116/63 R	EM	001289920-0003	7/2012
6,890,125	B1	5/2005	Calder et al.		EM	001289920-0004	7/2012
7,121,763	B1 *	10/2006	Young	E01C 19/42	EM	001289920-0005	7/2012
				404/118	EM	001289920-0006	7/2012
D541,310	S	4/2007	Zagorov		EM	001289920-0007	7/2012
7,413,377	B2 *	8/2008	Pontano	E01C 19/48	EM	001289920-0008	7/2012
				404/101	EM	001289920-0009	7/2012
D578,142	S	10/2008	Ewringmann		EM	001289920-0010	7/2012
7,651,295	B2 *	1/2010	Eppes	E01C 19/48	EM	001289920-0011	7/2012
				404/101	EM	001289920-0012	7/2012
D650,396	S	12/2011	Ewringmann		EM	001289920-0013	7/2012
8,221,026	B2 *	7/2012	Munz	E01C 19/48	EM	001289920-0014	7/2012
				404/118	EM	001289920-0015	7/2012
D673,981	S	1/2013	Kopacz et al.		EM	001289920-0016	7/2012
8,591,145	B1 *	11/2013	Engel	E01C 19/48	EM	001289920-0017	7/2012
				404/104	EM	001289920-0018	7/2012
D700,633	S	3/2014	Giles		EM	001289920-0019	7/2012
D719,984	S	12/2014	Viertola et al.		EM	001289920-0020	7/2012
D726,778	S	4/2015	Little et al.		EM	001289920-0021	7/2012
D728,634	S	5/2015	Alpsten et al.		EM	001289920-0022	7/2012
D753,189	S *	4/2016	Ewringmann	D15/19	EM	001289920-0023	7/2012
D755,252	S	5/2016	Ewringmann		EM	001289920-0024	7/2012
D768,729	S	10/2016	Long et al.		EM	001289920-0025	7/2012
D775,239	S	12/2016	Brooks et al.		EM	001289920-0026	7/2012
D775,449	S	12/2016	Babel et al.		EM	001289920-0027	7/2012
2007/0258769	A1 *	11/2007	Eppes	E01C 19/48	EM	001289920-0028	7/2012
				404/118	EM	001289920-0029	7/2012
2014/0119826	A1	5/2014	Graham et al.		EM	001289920-0030	7/2012
2014/0308073	A1	10/2014	Delius		EM	001289920-0031	7/2012
2014/0328626	A1	11/2014	Smieja et al.		EM	001289920-0032	7/2012
2015/0010355	A1	1/2015	Kopacz et al.		EM	001289920-0033	7/2012
2015/0152607	A1	6/2015	Kappel		EM	001289920-0034	7/2012
					EM	001289920-0035	7/2012
					EM	001289920-0036	7/2012
					EM	001289920-0037	7/2012
					EM	001289920-0038	7/2012
					EM	001289920-0039	7/2012
					EM	001289920-0040	7/2012
					EM	001289920-0041	7/2012
					EM	001289920-0042	7/2012
EM	001322689-0005	4/2012			EM	001289920-0043	7/2012
EM	001322689-0006	4/2012			EM	001289920-0044	7/2012
EM	001322689-0007	4/2012					
EM	001322689-0008	4/2012					

FOREIGN PATENT DOCUMENTS

* cited by examiner

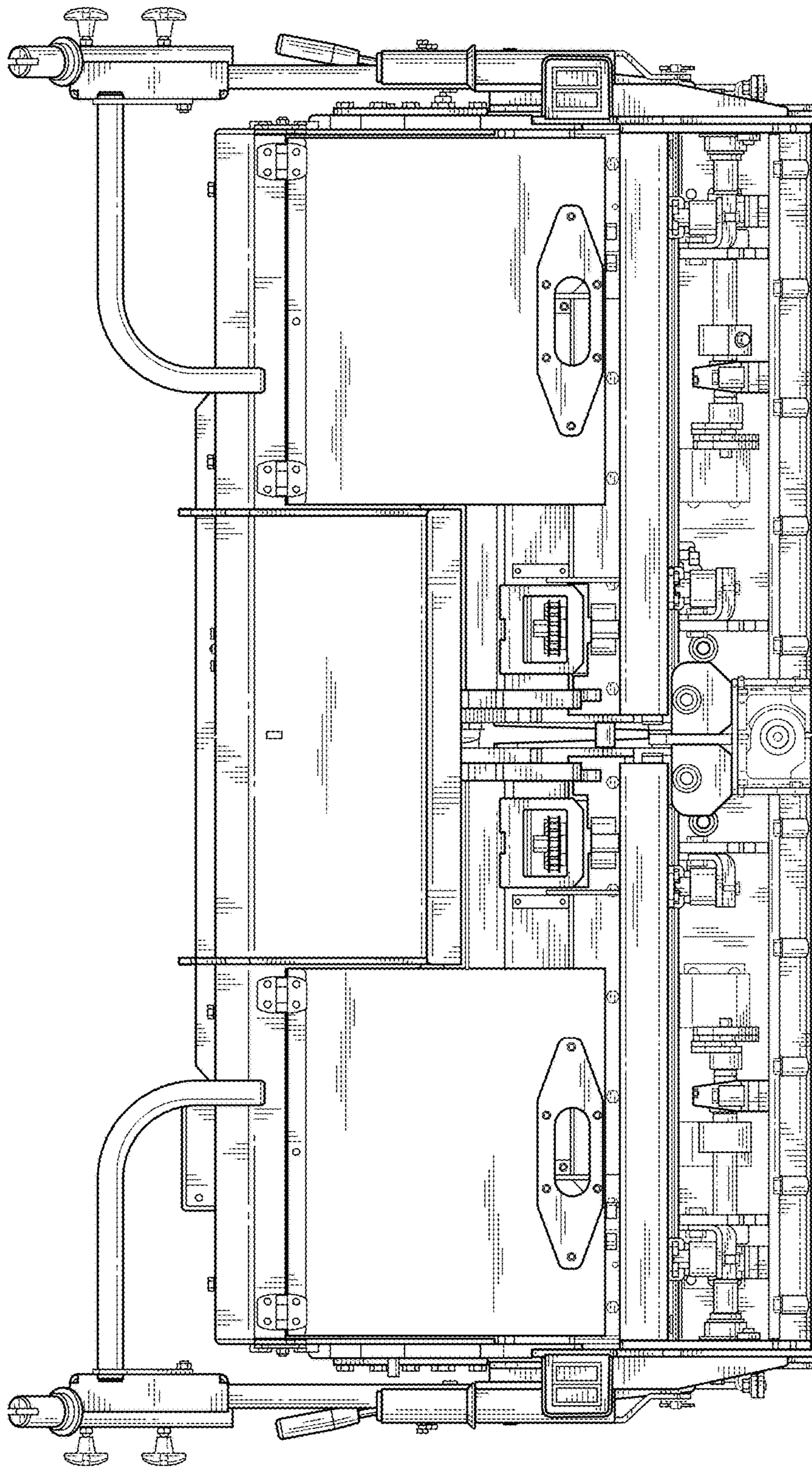


FIG. 1

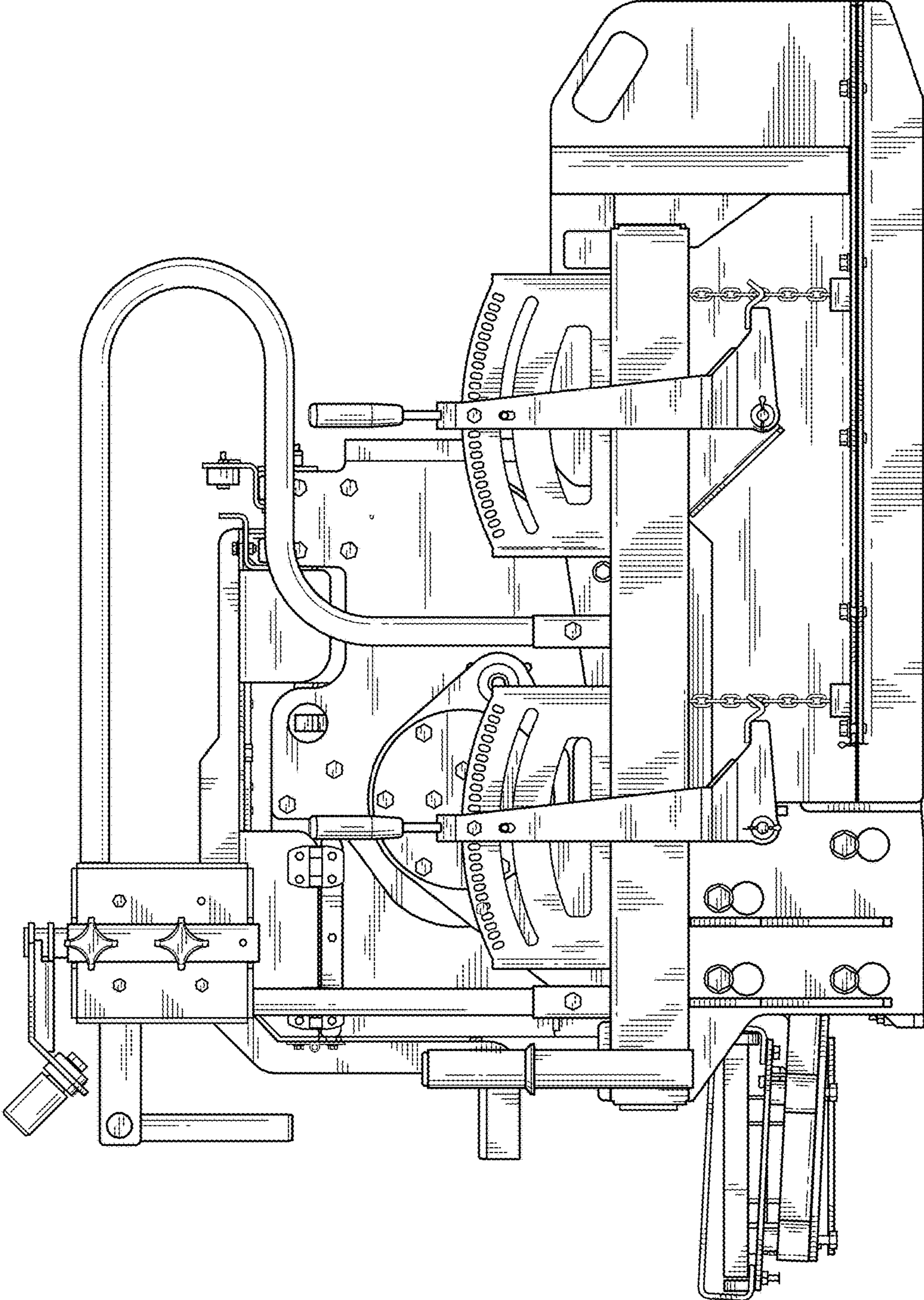


FIG. 2

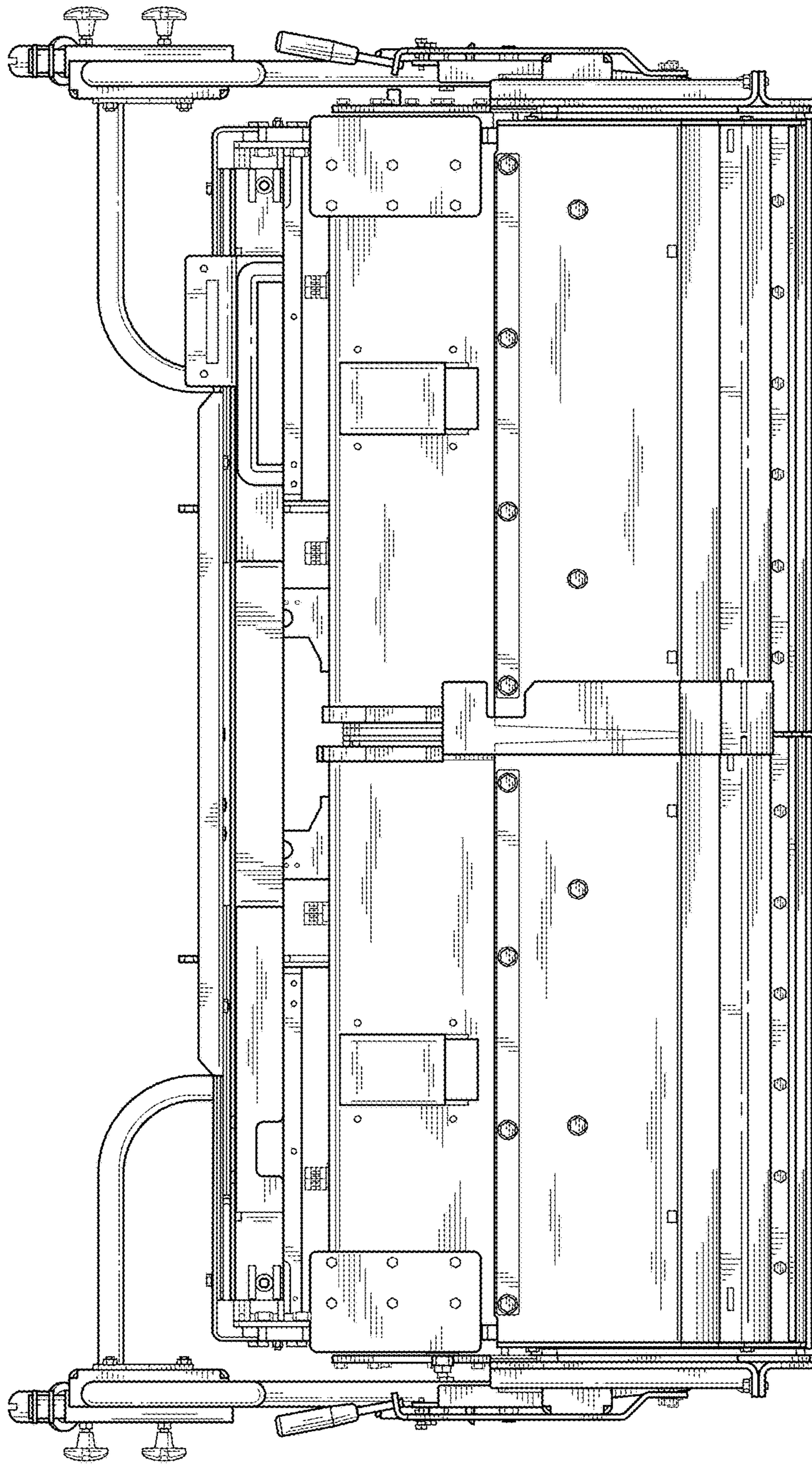


FIG. 3

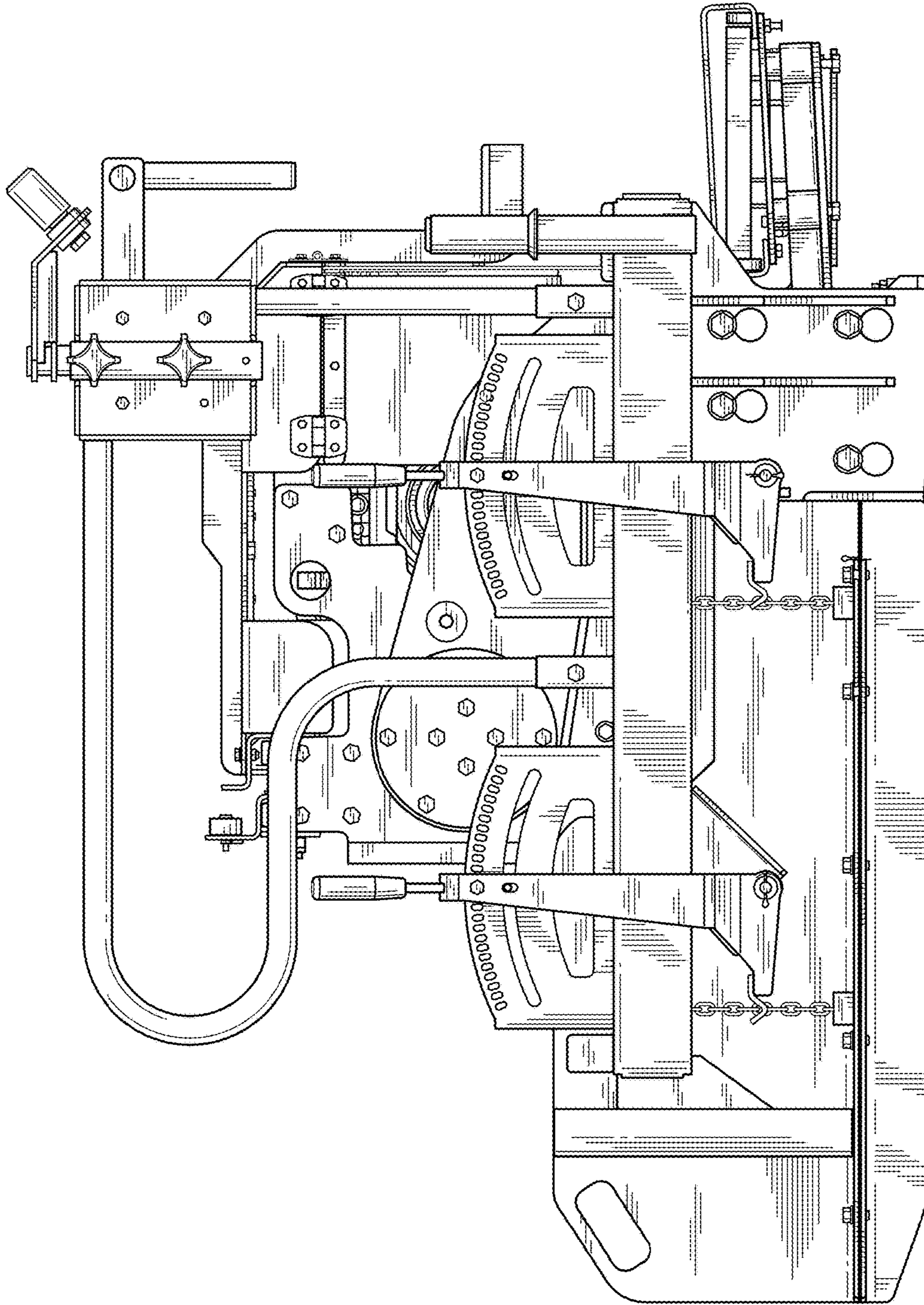


FIG. 4

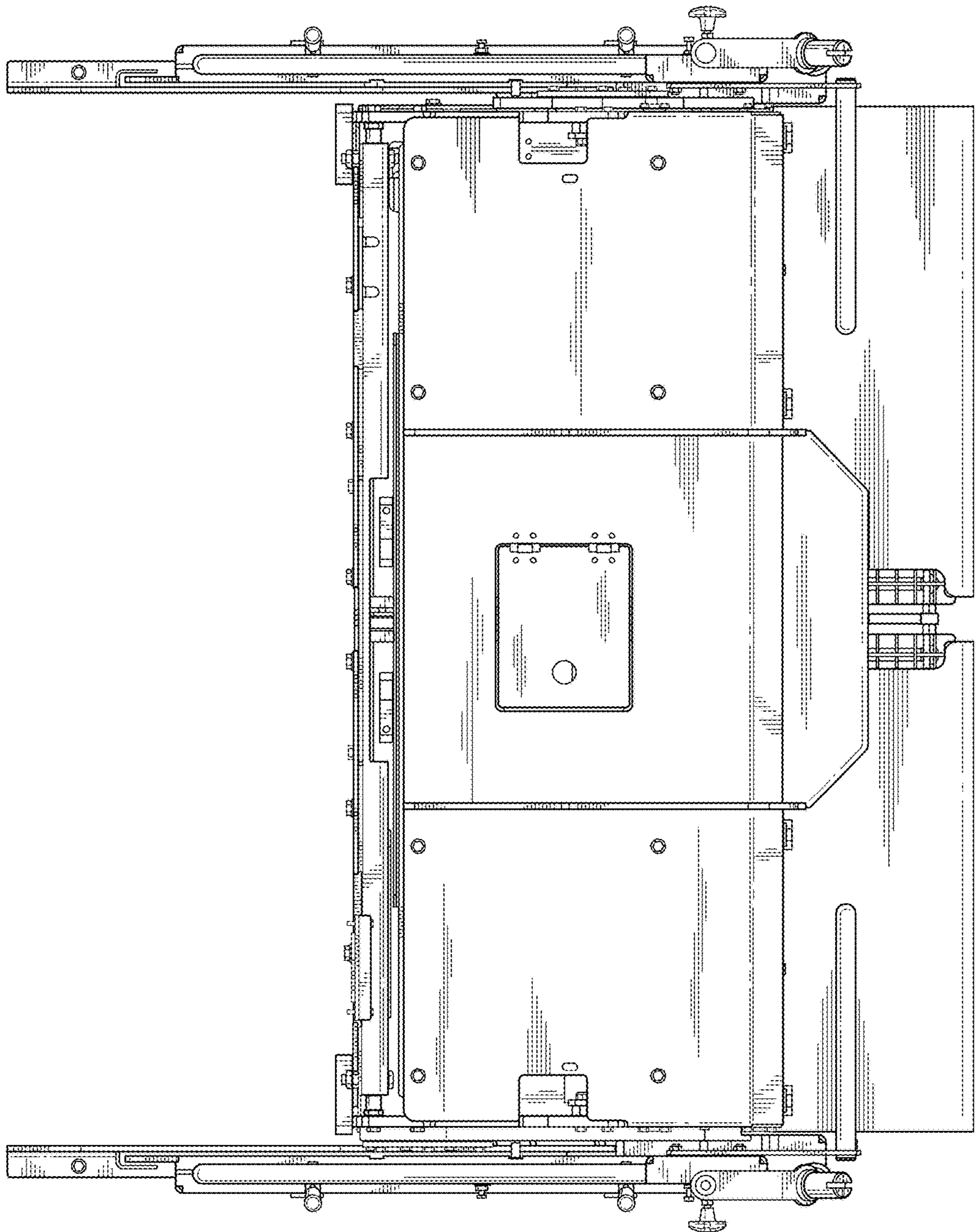


FIG. 5

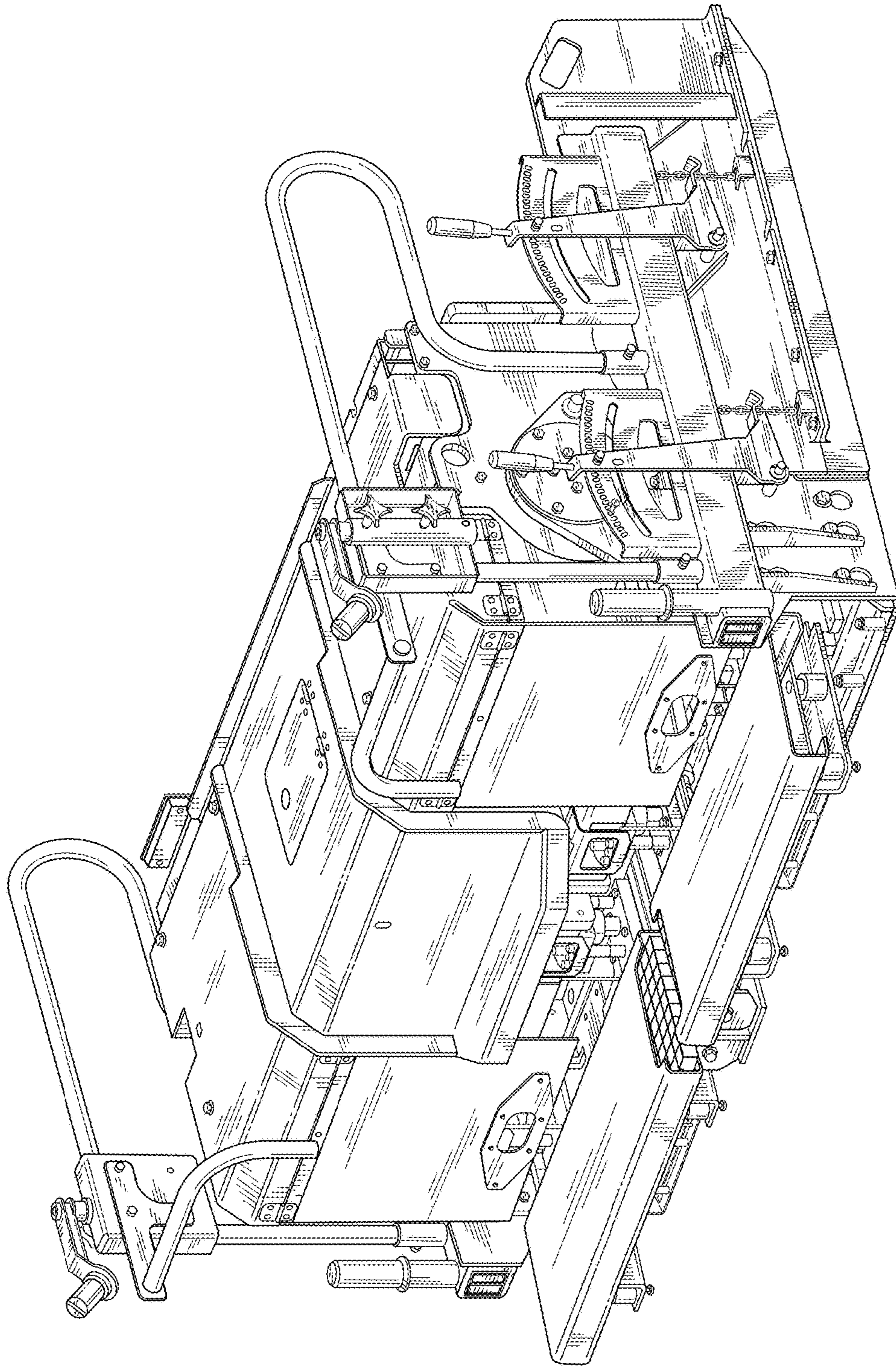


FIG. 6

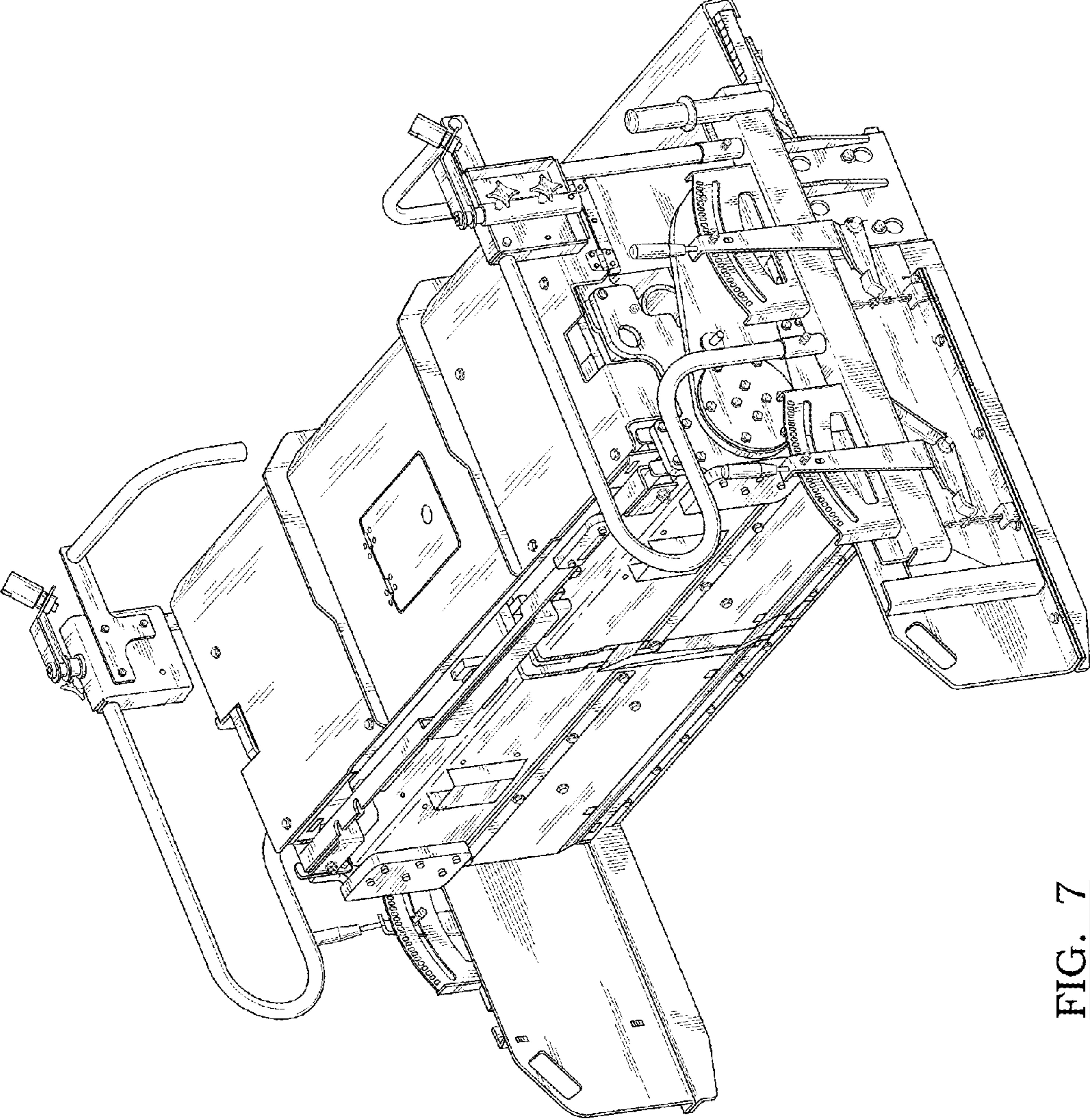


FIG. 7