



US00D820865S

(12) **United States Design Patent** (10) **Patent No.:** **US D820,865 S**
Muhsin et al. (45) **Date of Patent:** **** Jun. 19, 2018**

(54) **DISPLAY SCREEN OR PORTION THEREOF FOR GRAPHICAL USER INTERFACE FOR PHYSIOLOGICAL MONITORING**

(71) Applicant: **MASIMO CORPORATION**, Irvine, CA (US)

(72) Inventors: **Bilal Muhsin**, Aliso Viejo, CA (US); **Sujin Hwang**, Rancho Santa Margarita, CA (US); **Benjamin C. Triman**, Rancho Santa Margarita, CA (US)

(73) Assignee: **Masimo Corporation**, Irvine, CA (US)

(**) Term: **15 Years**

(21) Appl. No.: **29/579,574**

(22) Filed: **Sep. 30, 2016**

Related U.S. Application Data

(63) Continuation of application No. 14/033,315, filed on Sep. 20, 2013, now Pat. No. 9,877,650.

(51) **LOC (11) Cl.** **14-04**

(52) **U.S. Cl.**
USPC **D14/486**

(58) **Field of Classification Search**
USPC D14/485, 486, 487, 488
CPC G06F 3/048; G06F 3/0489; G06F 15/0225; G06F 19/3406; G06F 19/34; G06F 19/3418; G06F 3/0481; G09B 7/07; A61B 5/02; A61B 8/46; G06T 2207/30004; G06Q 10/063114; H04N 1/00477; G11B 27/34

See application file for complete search history.

(56) **References Cited**

U.S. PATENT DOCUMENTS

5,769,785 A 6/1998 Diab et al.
6,002,952 A 12/1999 Diab et al.

6,157,850 A 12/2000 Diab et al.
D441,761 S * 5/2001 Machida D14/486
6,658,276 B2 12/2003 Kianl et al.
6,770,028 B1 8/2004 Ali et al.
D586,355 S * 2/2009 Mori D14/486
D681,651 S * 5/2013 Fletcher D14/485
D728,601 S * 5/2015 Angelides D14/486
D733,172 S * 6/2015 Angelides D14/486
D752,076 S * 3/2016 Guesnon, Jr. D14/486
D753,669 S * 4/2016 Chen D14/485
D754,179 S * 4/2016 Angelides D14/486
D754,705 S * 4/2016 Angelides D14/486
D756,372 S * 5/2016 Bertnick D14/485
D767,605 S * 9/2016 Mensinger D14/486
D786,279 S * 5/2017 McKim D14/486
D790,577 S * 6/2017 Hatzikostas D14/486
D795,903 S * 8/2017 Chen D14/486
D804,499 S * 12/2017 Eklund D14/486
D805,102 S * 12/2017 Stamatiou D14/489

(Continued)

Primary Examiner — Robin V Webster

Assistant Examiner — Rachel Voorhies

(74) *Attorney, Agent, or Firm* — Knobbe, Martens, Olson & Bear LLP

(57) **CLAIM**

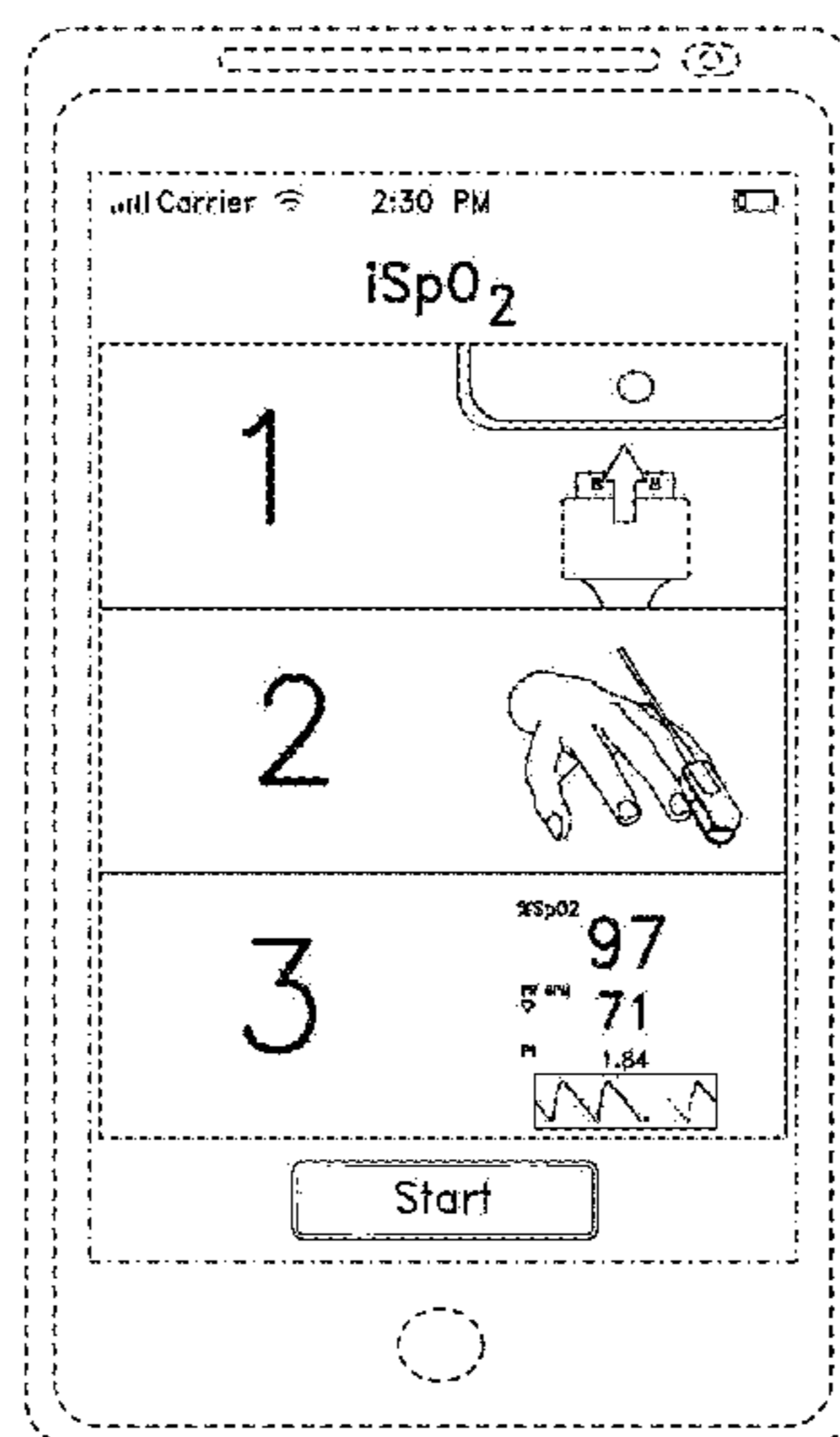
The ornamental design for a display screen or portion thereof with a graphical user interface for physiological monitoring, as shown and described.

DESCRIPTION

The sole FIGURE is the front view of a display screen or portion thereof with a graphical user interface for physiological monitoring.

The dashed broken lines in the drawings depict environmental structure that forms no part of the claimed design, and the dash-dot-dash broken line perimeter surrounding the display screen or portion thereof in the drawings indicates the boundaries of the claim and forms no part thereof.

1 Claim, 1 Drawing Sheet



(56)

References Cited

U.S. PATENT DOCUMENTS

2009/0054743 A1* 2/2009 Stewart A61B 5/02055
600/301
2009/0149743 A1* 6/2009 Barron A61M 5/007
600/431
2012/0232520 A1* 9/2012 Sloan A61B 5/14532
604/504
2014/0135588 A1* 5/2014 Al-Ali G06F 19/327
600/300
2014/0270082 A1* 9/2014 Moellmer A61B 6/14
378/98
2014/0320391 A1* 10/2014 Bazaz H04W 52/0277
345/156
2017/0270260 A1* 9/2017 Shetty A61B 5/6898

* cited by examiner

