



US00D820846S

(12) **United States Design Patent** (10) **Patent No.:** **US D820,846 S**
Lee (45) **Date of Patent:** **** Jun. 19, 2018**

(54) **STAND FOR DISPLAY DEVICE**
(71) Applicant: **LG ELECTRONICS INC.**, Seoul (KR)
(72) Inventor: **Kyungwon Lee**, Seoul (KR)
(73) Assignee: **LG ELECTRONICS INC.**, Seoul (KR)

D465,077 S * 10/2002 Berke D34/24
D465,634 S * 11/2002 Botzau B62B 1/12
D34/24
D529,252 S * 9/2006 Wu D34/24
D531,376 S * 10/2006 Tetradis D34/24
D699,713 S * 2/2014 Seong D14/239
D720,316 S * 12/2014 Huh D14/126
D744,970 S * 12/2015 Kim D14/126

* cited by examiner

(**) Term: **15 Years**
(21) Appl. No.: **35/502,183**

Primary Examiner — Michael A. Pratt
(74) *Attorney, Agent, or Firm* — Birch, Stewart, Kolasch & Birch, LLP

(22) Filed: **Jun. 24, 2016**

(57) **CLAIM**

The ornamental design for a stand for display device, as shown and described.

(80) **Hague Agreement Data**

Int. Filing Date: **Jun. 24, 2016**
Int. Reg. No.: **DM/091487**
Int. Reg. Date: **Jun. 24, 2016**
Int. Reg. Pub. Date: **Dec. 30, 2016**

DESCRIPTION

(30) **Foreign Application Priority Data**

Dec. 28, 2015 (KR) 30-2015-0066457

(51) **LOC (11) Cl.** **14-02**

(52) **U.S. Cl.**
USPC **D14/451**

(58) **Field of Classification Search**
USPC D14/126, 127, 128, 336, 448; D34/12, D34/14, 16, 22, 24
See application file for complete search history.

- 1. Stand for display device
- 1.1 : Perspective
- 1.2 : Front
- 1.3 : Back
- 1.4 : Left
- 1.5 : Top
- 1.6 : Bottom
- 1.7 : Reference view

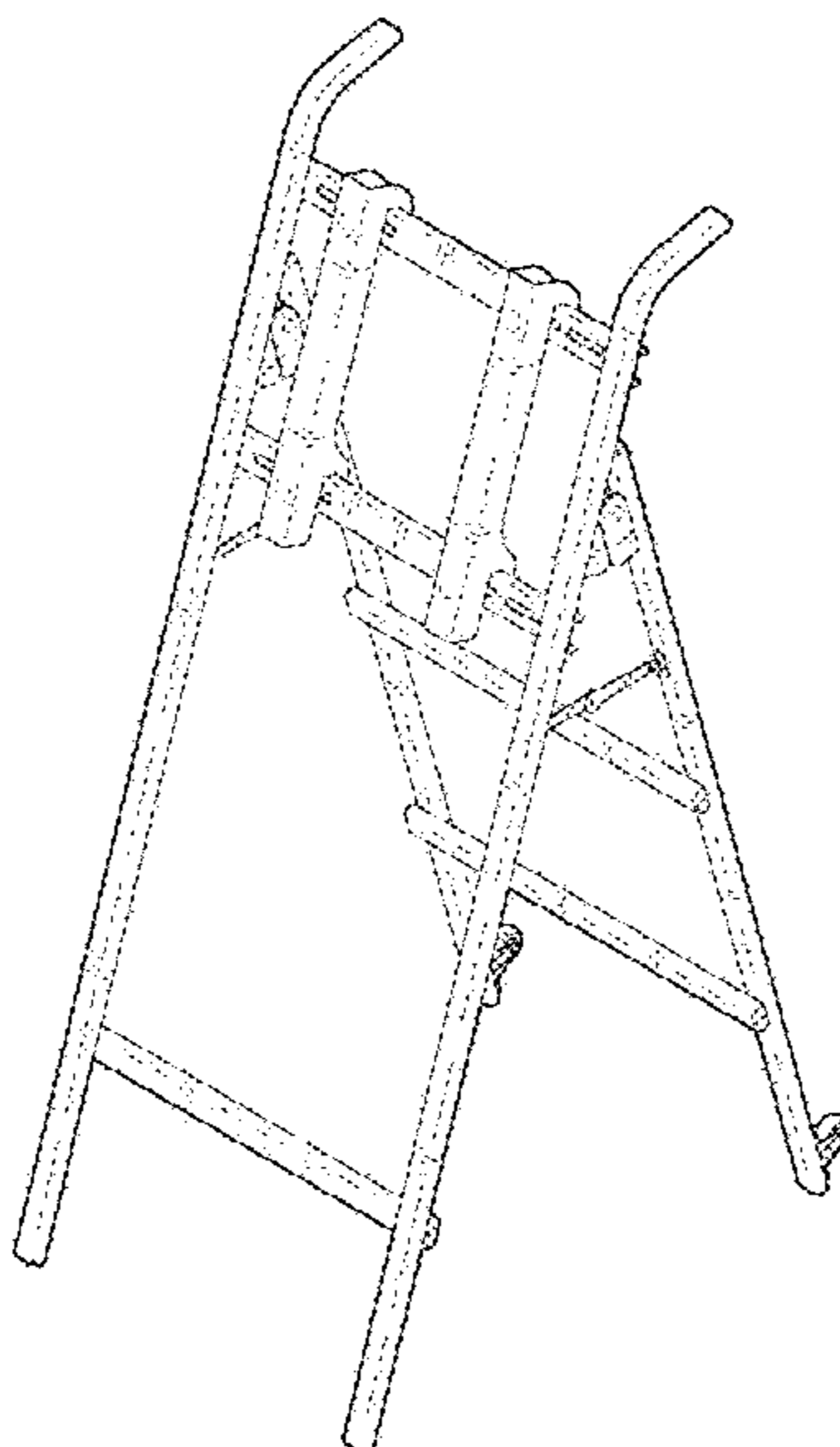
The broken lines depict portions of the stand for display device that form no part of the claimed design; reproduction 1.1 is a perspective view of the stand for display device; reproduction 1.2 is a front view thereof; reproduction 1.3 is a back view thereof; reproduction 1.4 is a left view thereof where the right view is a mirror image; reproduction 1.5 is a top view thereof; reproduction 1.6 is a bottom view thereof; reproduction 1.7 is a reference view thereof showing an example of the usage of the subject design in which the subject article is folded and then a display device is placed on the stand.

(56) **References Cited**

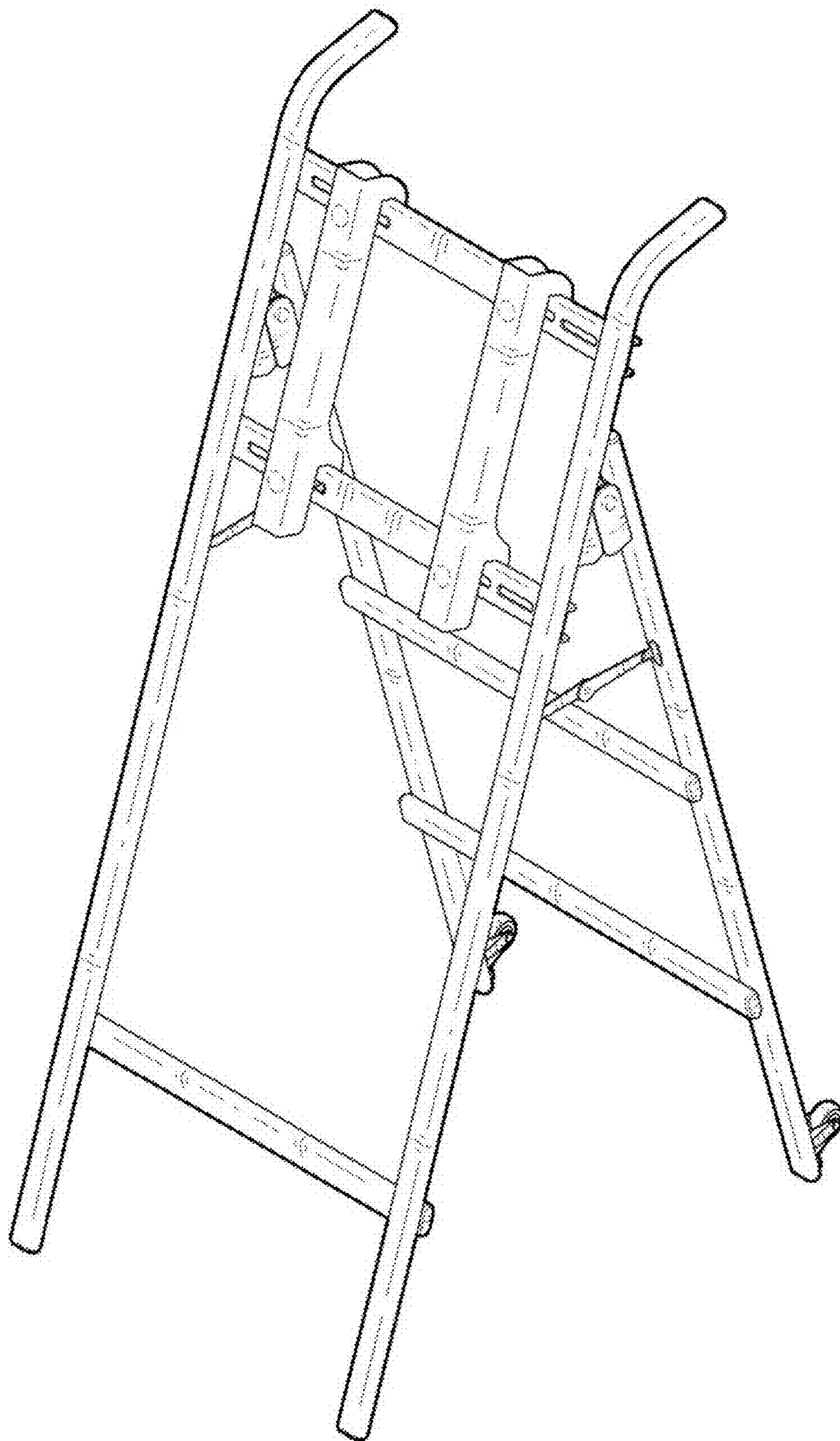
U.S. PATENT DOCUMENTS

4,776,603 A * 10/1988 Watts B62B 1/12
280/47.27
D338,759 S * 8/1993 Ocuin D34/12
D339,442 S * 9/1993 Holtz D34/24

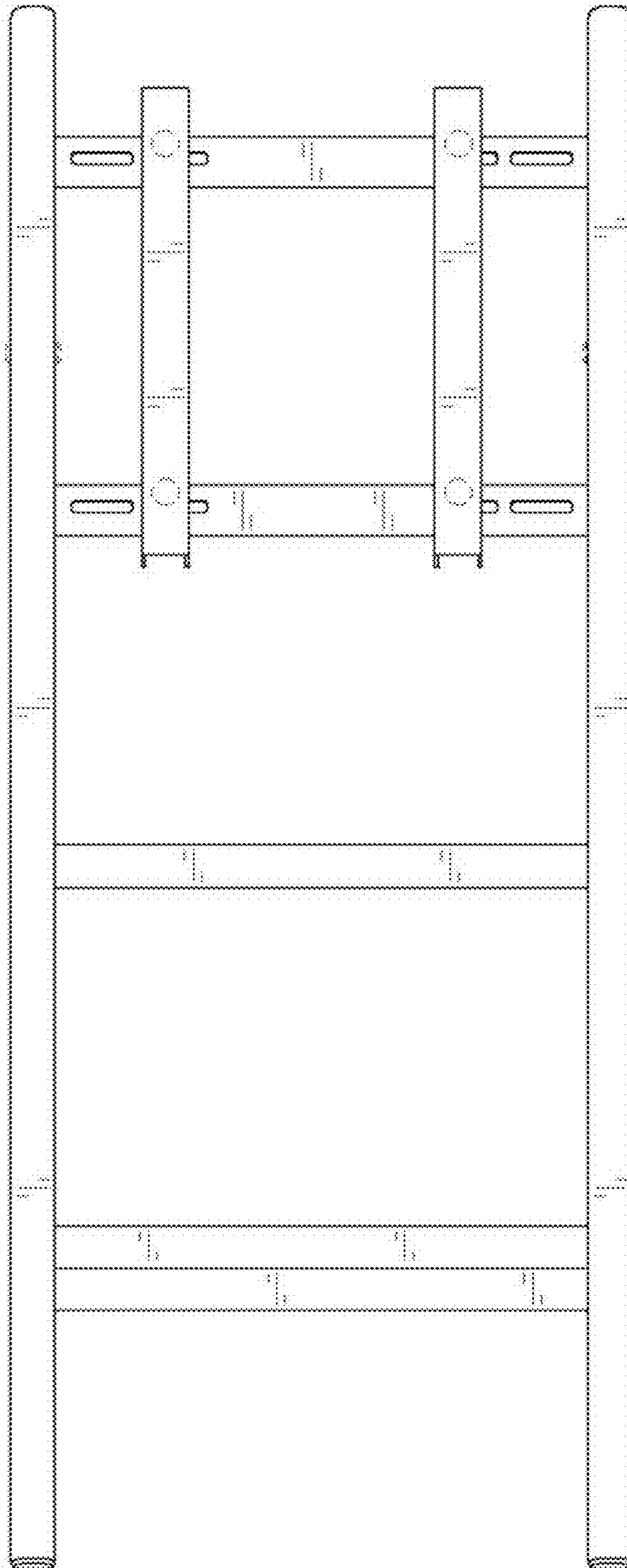
1 Claim, 7 Drawing Sheets



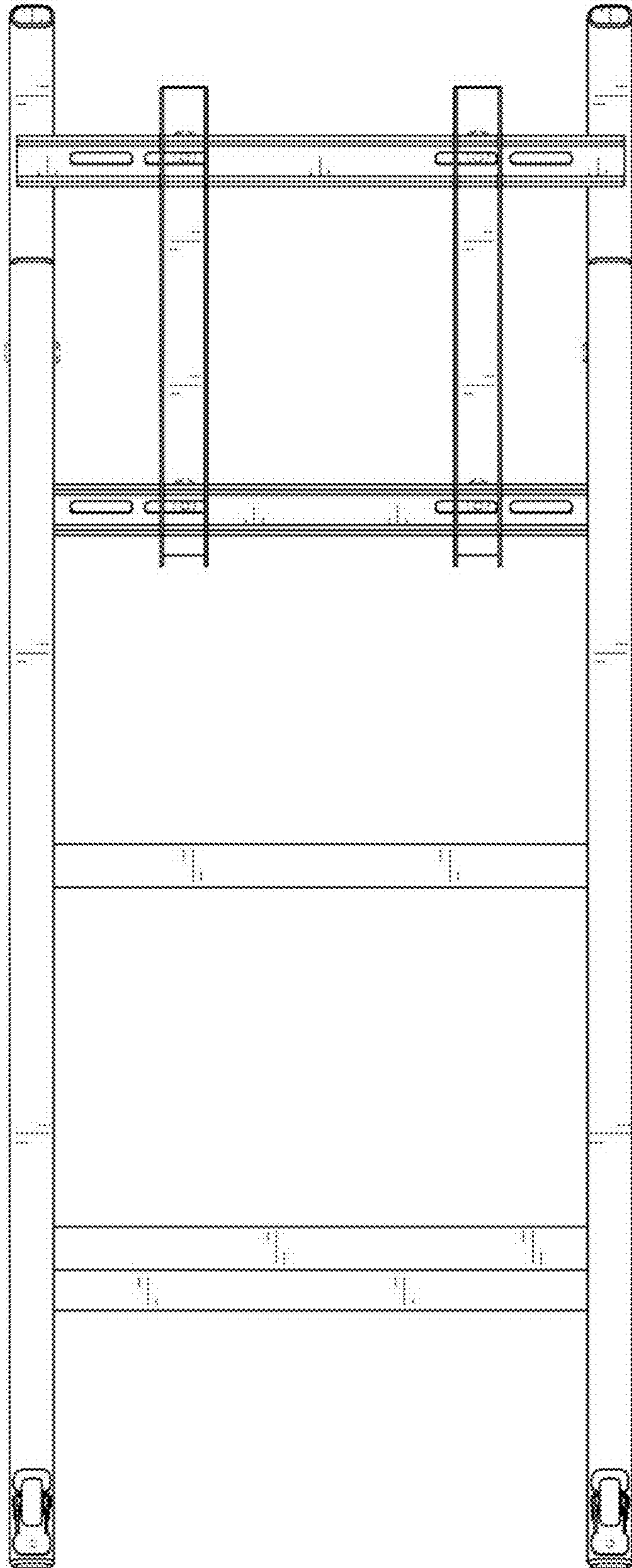
1.1



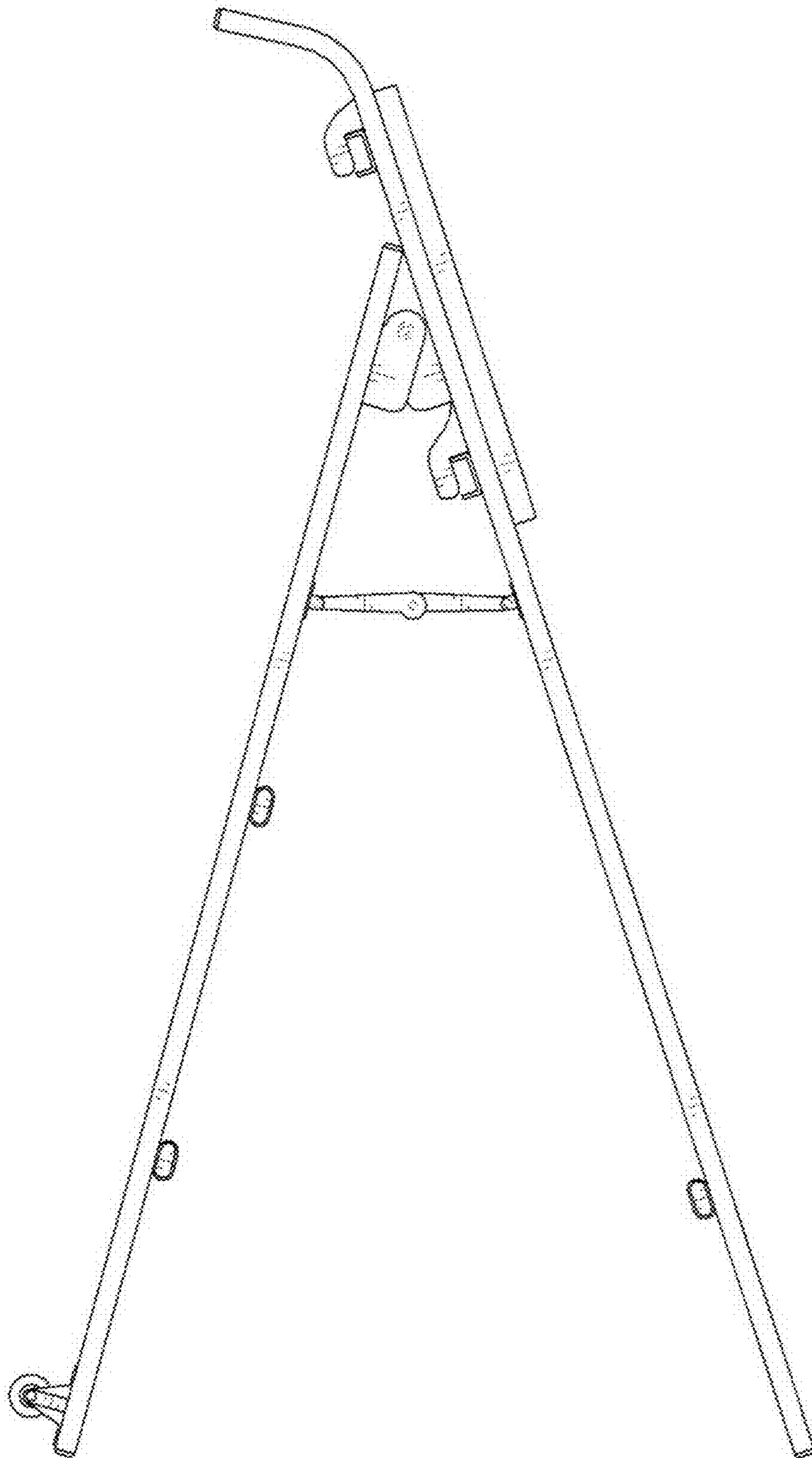
1.2



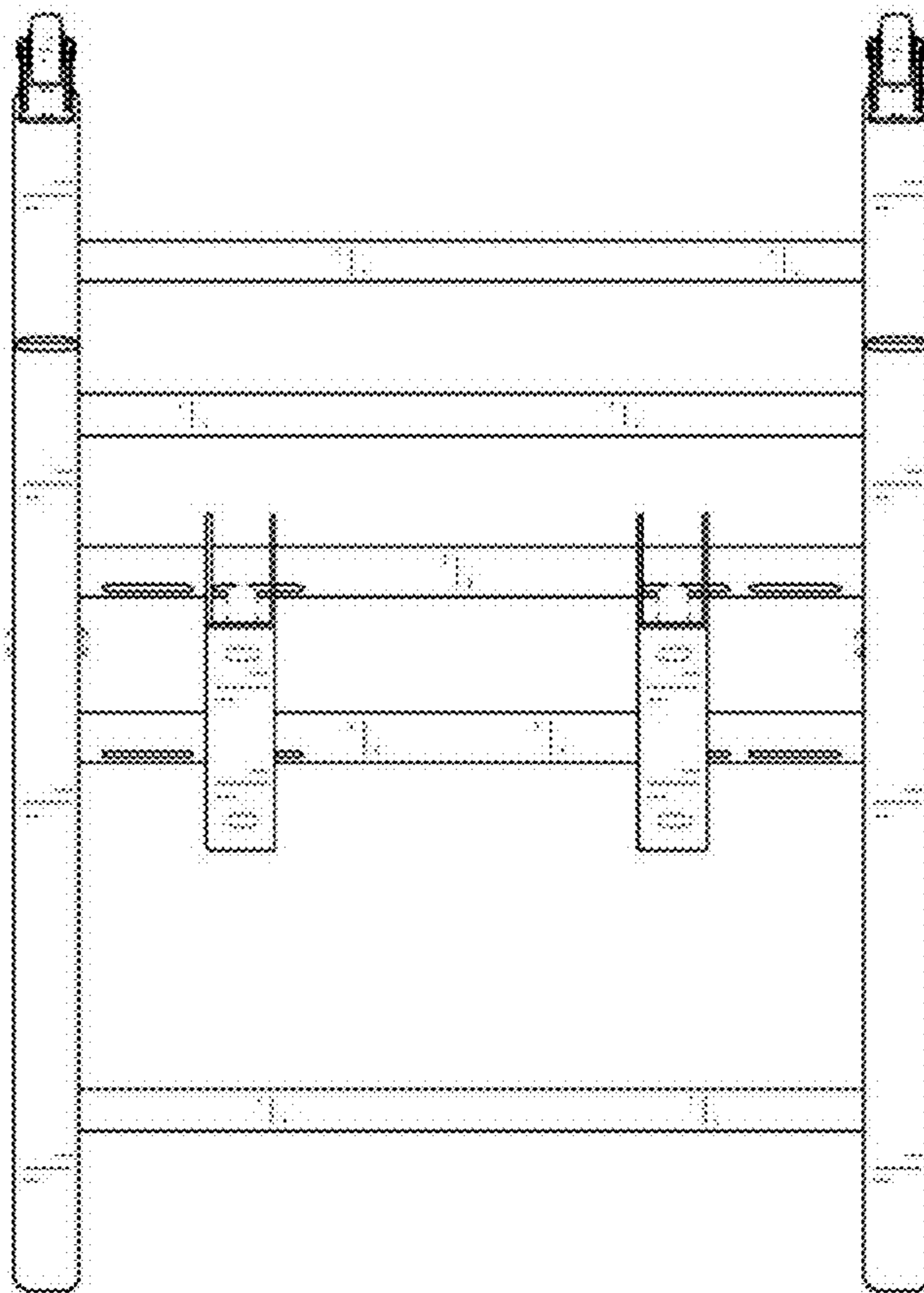
1.3



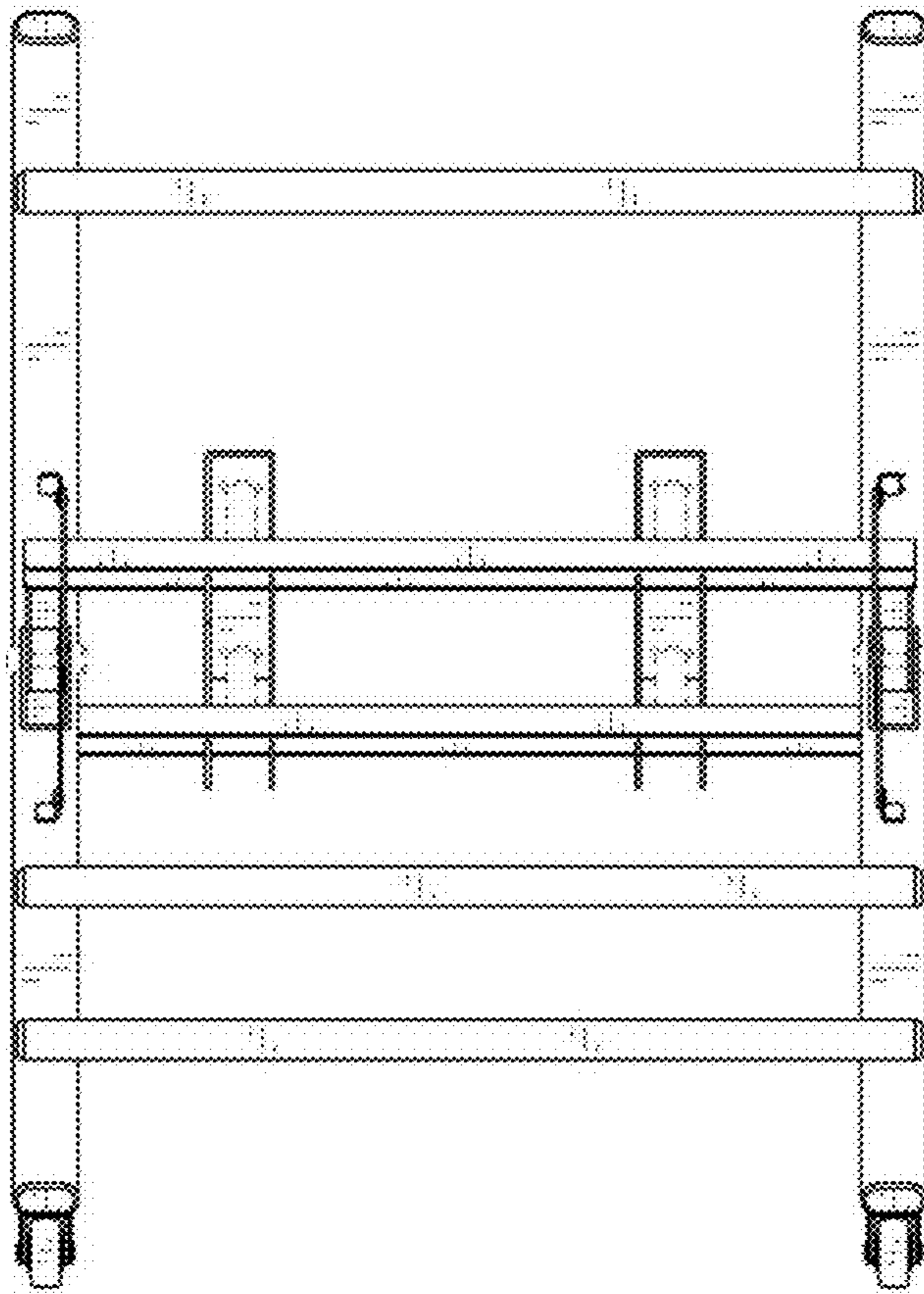
1.4



1.5



1.6



1.7

