



US00D820842S

(12) **United States Design Patent**
Rosenberg et al.

(10) **Patent No.:** **US D820,842 S**
(45) **Date of Patent:** **** Jun. 19, 2018**

- (54) **TOUCH SENSOR ARRAY**
- (71) Applicant: **Sensel, Inc.**, Mountain View, CA (US)
- (72) Inventors: **Ilya Daniel Rosenberg**, Mountain View, CA (US); **John Aaron Zarraga**, San Francisco, CA (US); **Brogan Carl Miller**, Davis, CA (US)
- (73) Assignee: **Sensel, Inc.**, Mountain View, CA (US)
- (**) Term: **15 Years**
- (21) Appl. No.: **29/575,547**
- (22) Filed: **Aug. 25, 2016**

Related U.S. Application Data

- (63) Continuation-in-part of application No. 14/499,090, filed on Sep. 27, 2014, now Pat. No. 9,459,746, which is a continuation-in-part of application No. 14/314,662, filed on Jun. 25, 2014, now Pat. No. 9,001,082.

- (51) **LOC (11) Cl.** **14-02**
- (52) **U.S. Cl.**

USPC **D14/389**

- (58) **Field of Classification Search**

USPC D14/388, 389, 390, 318, 341, 342, 356,
 D14/218, 454, 455, 299, 496, 432, 434,
 D14/457, 458; D21/324, 329, 333;
 D13/162, 164, 168; D10/46, 61, 65;
 D19/59-61, 113; D20/10, 11, 19, 99
 CPC G06F 3/041; G06F 3/0412; G06F 3/0414;
 G06F 3/0416; G06F 3/044; G06F
 2203/0338; G06F 1/1669

See application file for complete search history.

- (56) **References Cited**

U.S. PATENT DOCUMENTS

D303,788 S * 10/1989 Kondoh D14/390
 D359,036 S * 6/1995 Mandel D14/458

D377,789 S * 2/1997 Wang D14/390
 D378,211 S * 2/1997 Kuo D14/390
 D405,771 S * 2/1999 Nachinson D14/458

(Continued)

OTHER PUBLICATIONS

The Maker. senselblog.wordpress.com [online] 5 pgs. senselblog.wordpress.com. Posted Jul. 27, 2015 [Retrieved on Nov. 29, 2017].
<https://senselblog.wordpress.com/2015/07/>*

(Continued)

Primary Examiner — Susan Bennett Hattan
Assistant Examiner — Marie D. Fast Horse
 (74) *Attorney, Agent, or Firm* — James R. Gourley;
 Carstens & Cahoon, LLP

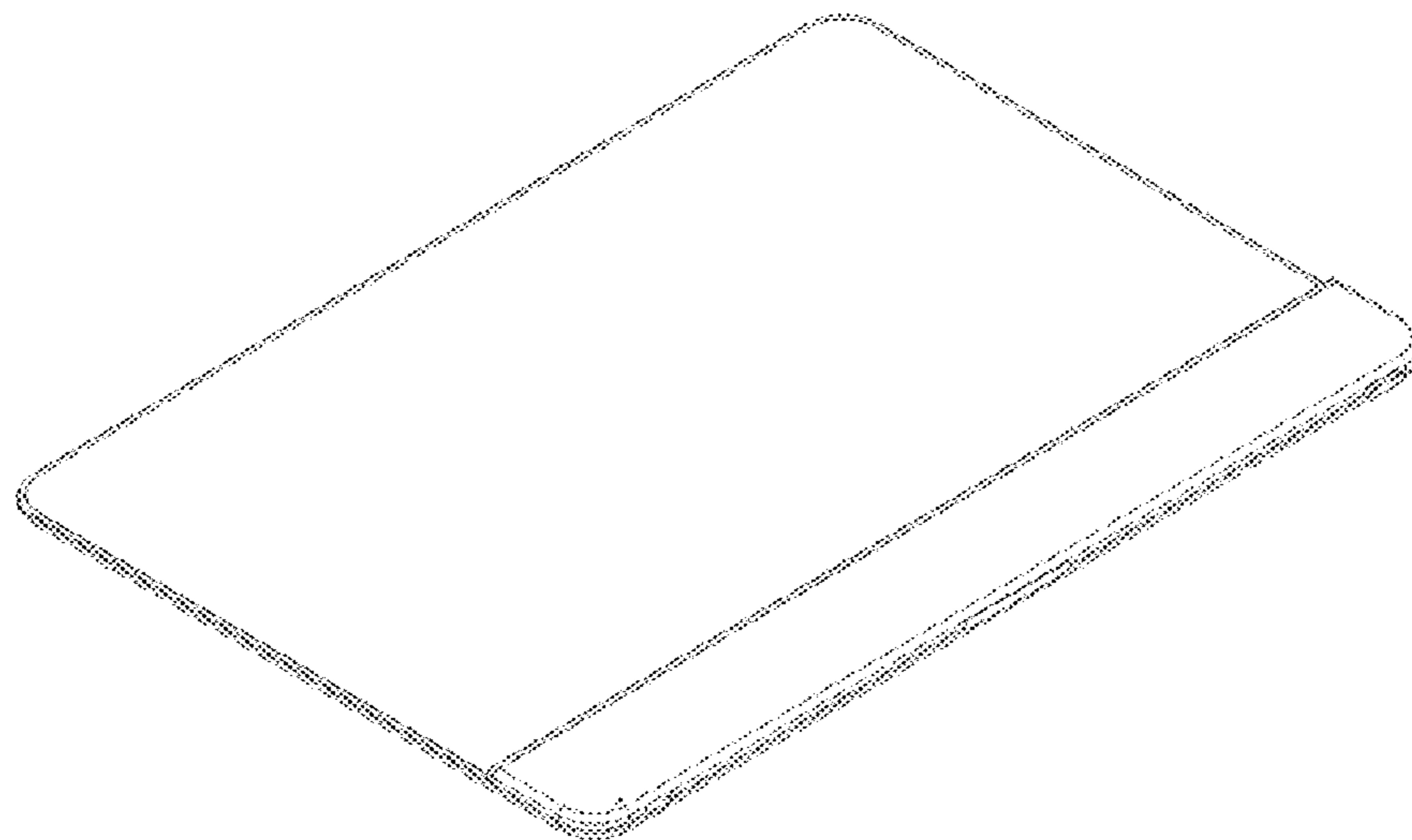
- (57) **CLAIM**

The ornamental design for a touch sensor array, as shown.

DESCRIPTION

FIG. 1 is a front view of a touch sensor array showing my new design;
 FIG. 2 is a rear view thereof;
 FIG. 3 is a right view thereof;
 FIG. 4 is a left view thereof;
 FIG. 5 is a top view thereof;
 FIG. 6 is a bottom view thereof;
 FIG. 7 is a top front perspective view thereof;
 FIG. 8 is a top rear perspective view thereof;
 FIG. 9 is a top right front perspective view thereof;
 FIG. 10 is a top right rear perspective view thereof;
 FIG. 11 is a top left rear perspective view thereof;
 FIG. 12 is a top left front perspective view thereof;
 FIG. 13 is a bottom right front perspective view thereof;
 FIG. 14 is a bottom right rear perspective view thereof;
 FIG. 15 is a bottom left rear perspective view thereof; and,
 FIG. 16 is a bottom left front perspective view thereof.

1 Claim, 16 Drawing Sheets



(56)

References Cited

U.S. PATENT DOCUMENTS

D432,137 S * 10/2000 Holtzman D14/458
D550,226 S * 9/2007 Rogers D14/458
D589,961 S * 4/2009 Hackenberg D14/388
D629,400 S * 12/2010 Harper D14/390
D631,047 S * 1/2011 Hirota D14/390
D639,810 S * 6/2011 Hwang D13/107
D642,562 S * 8/2011 Kato D14/341
D648,723 S * 11/2011 Harper D14/390
D648,727 S * 11/2011 Van Den
Nieuwenhuizen D14/447
D664,144 S * 7/2012 Akana D14/389
D667,404 S * 9/2012 Akana D14/389
D684,157 S * 6/2013 Chan D14/434
D686,630 S * 7/2013 Ehrlich D14/457
D689,496 S * 9/2013 Park D14/434
D689,497 S * 9/2013 Park D14/434
D695,750 S * 12/2013 Ehrlich D14/457
D702,579 S * 4/2014 Lee D10/108
D705,108 S * 5/2014 Lee D10/108
D716,302 S * 10/2014 Delgado D14/138 G
D718,308 S * 11/2014 Nishizawa D14/389
D721,375 S * 1/2015 Choi D14/434
D722,043 S * 2/2015 Requa D13/108
D726,724 S * 4/2015 Wahlqvist D14/390
D732,533 S * 6/2015 Hirota D14/389

D744,484 S * 12/2015 Huebner D14/389
D747,769 S * 1/2016 Sarkis D19/113
D747,991 S * 1/2016 Lee D10/108
D748,630 S * 2/2016 Helwig D14/389
D754,008 S * 4/2016 Huebner D10/65
D762,215 S * 7/2016 Luttrell D14/388
D773,456 S * 12/2016 Mitchell D10/65
D786,254 S * 5/2017 Yum D14/138 G
9,746,964 B2 * 8/2017 Rosenberg G06F 3/0418
D802,599 S * 11/2017 Magargee D14/458
2012/0092285 A1 * 4/2012 Osborn G06F 3/044
345/174
2015/0091858 A1 * 4/2015 Rosenberg G06F 3/0414
345/174
2015/0091859 A1 * 4/2015 Rosenberg et al. ... G06F 3/0414
345/174
2015/0378492 A1 * 12/2015 Rosenberg G06F 3/0414
345/174
2017/0329370 A1 * 11/2017 Han G06F 1/1669
2017/0336891 A1 * 11/2017 Rosenberg G06F 3/044

OTHER PUBLICATIONS

Notice of Allowance and accompanying letter containing list of references dated Jun. 21, 2017 for Japanese Design Application No. 2017-3843 (6 pages).

* cited by examiner

FIG. 1

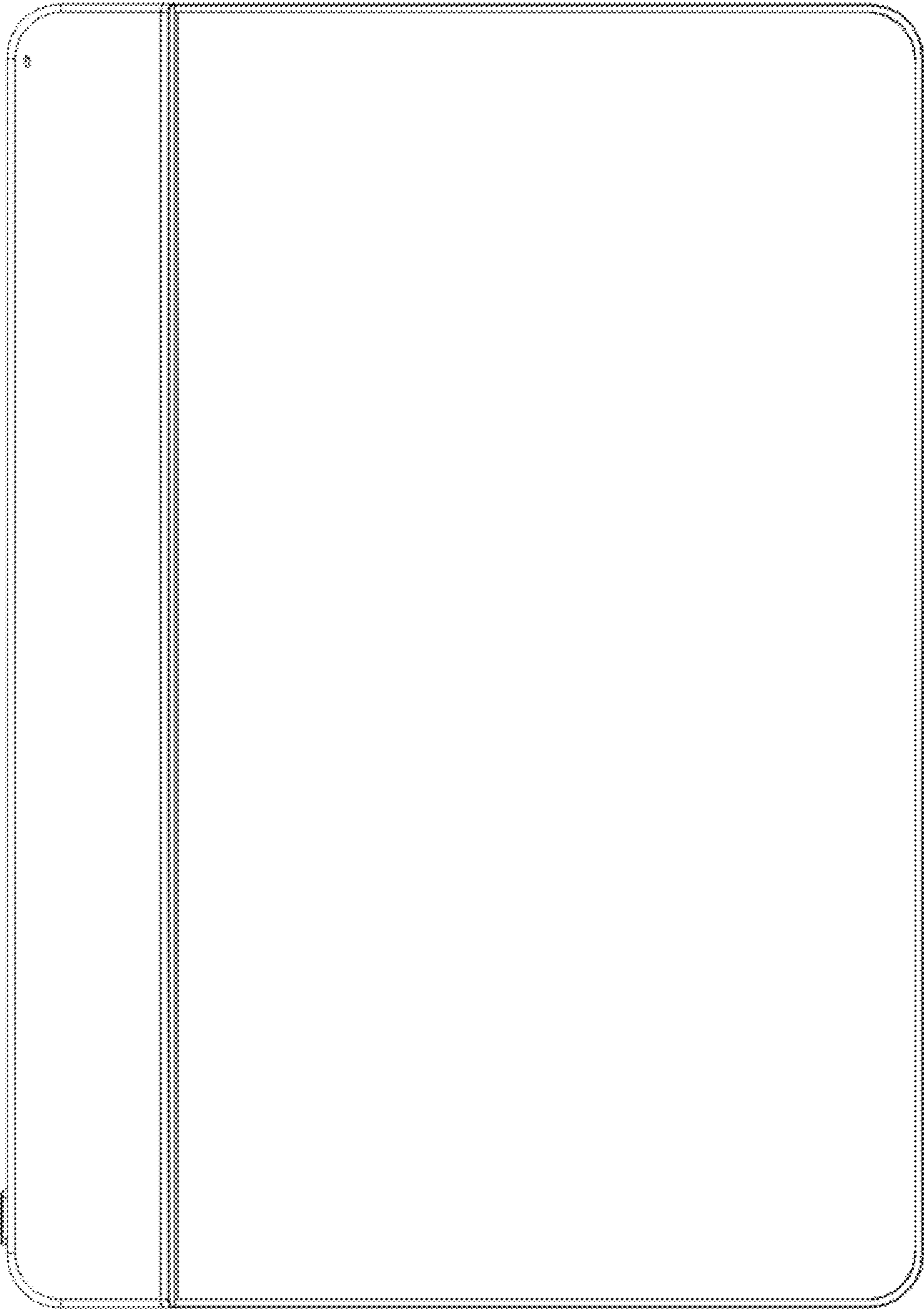


FIG. 2

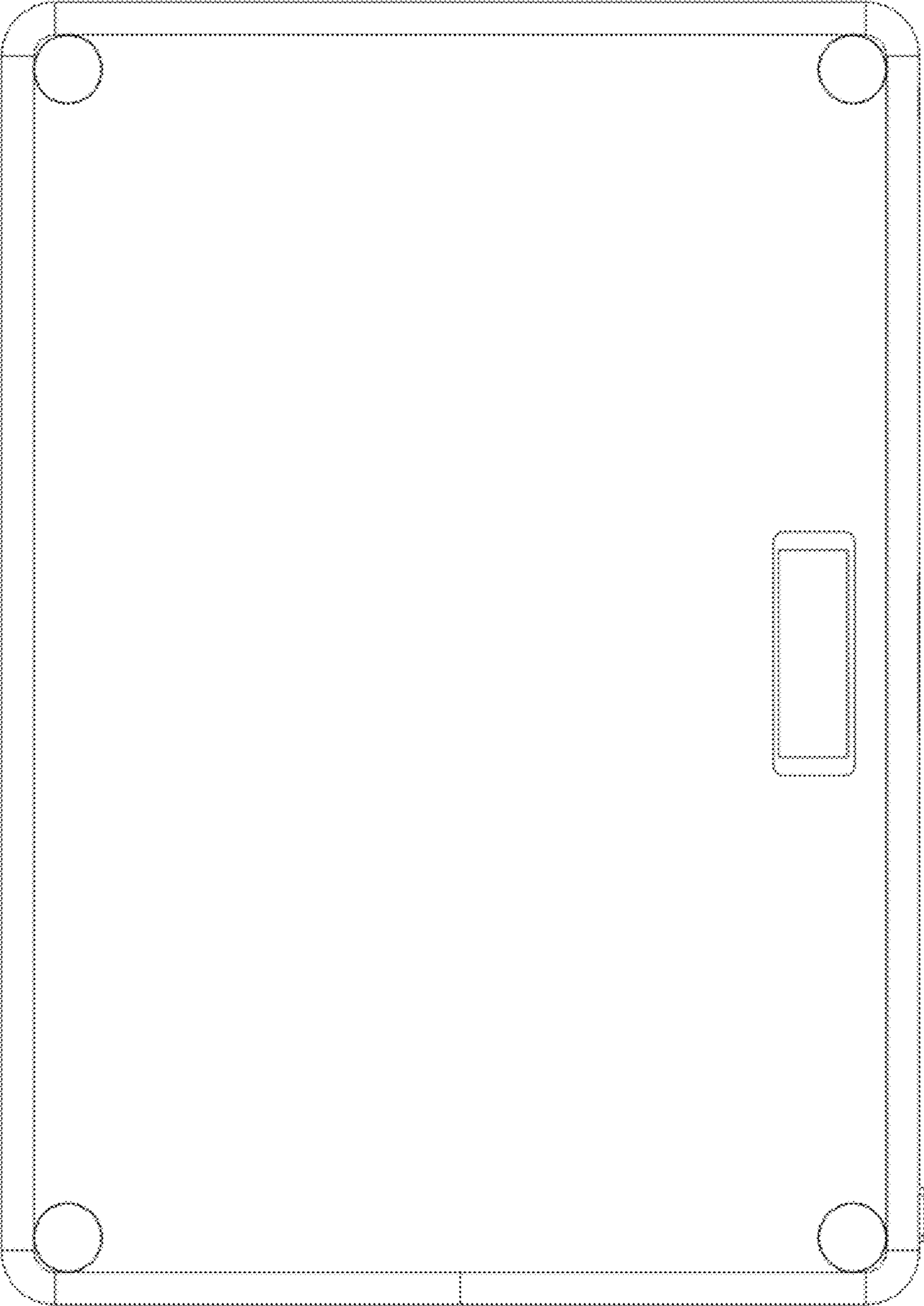


FIG. 3

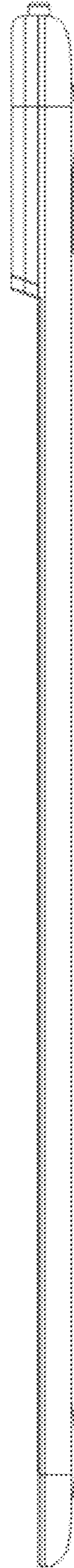


FIG. 4

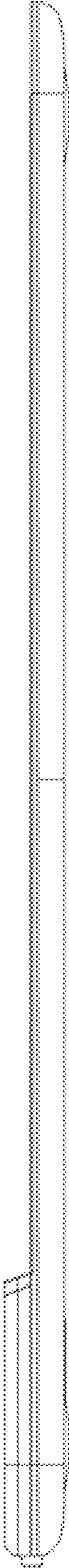


FIG. 5

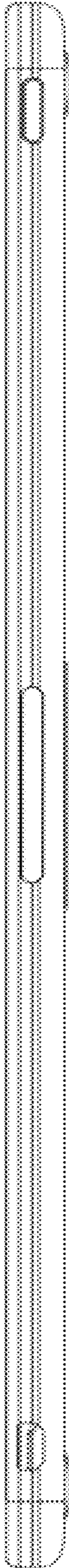


FIG. 6

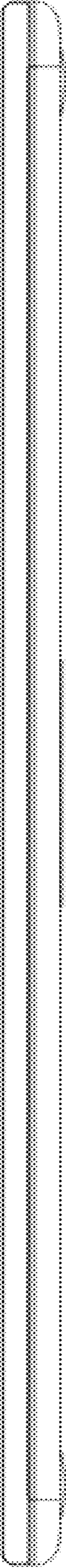


FIG. 7

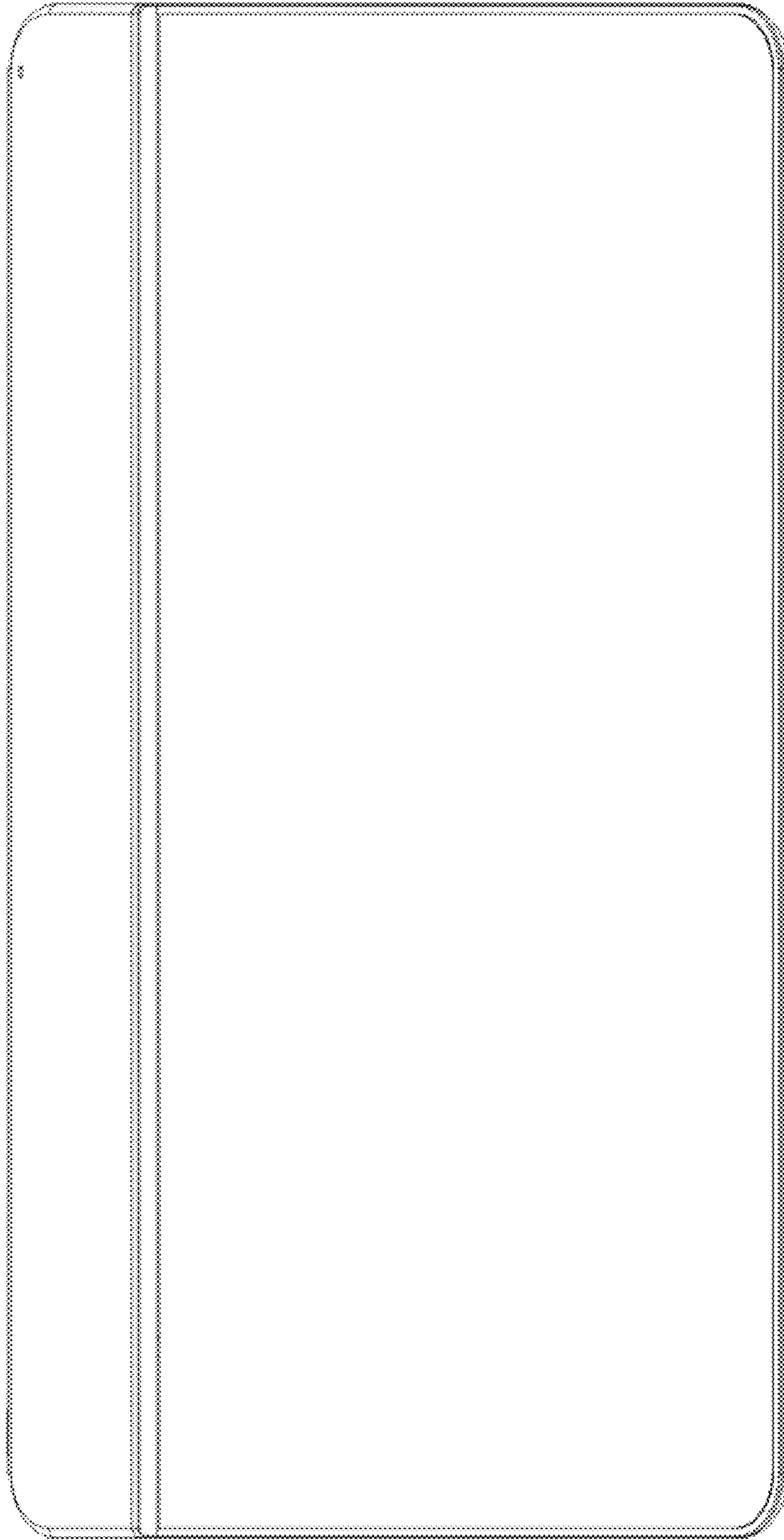


FIG. 8

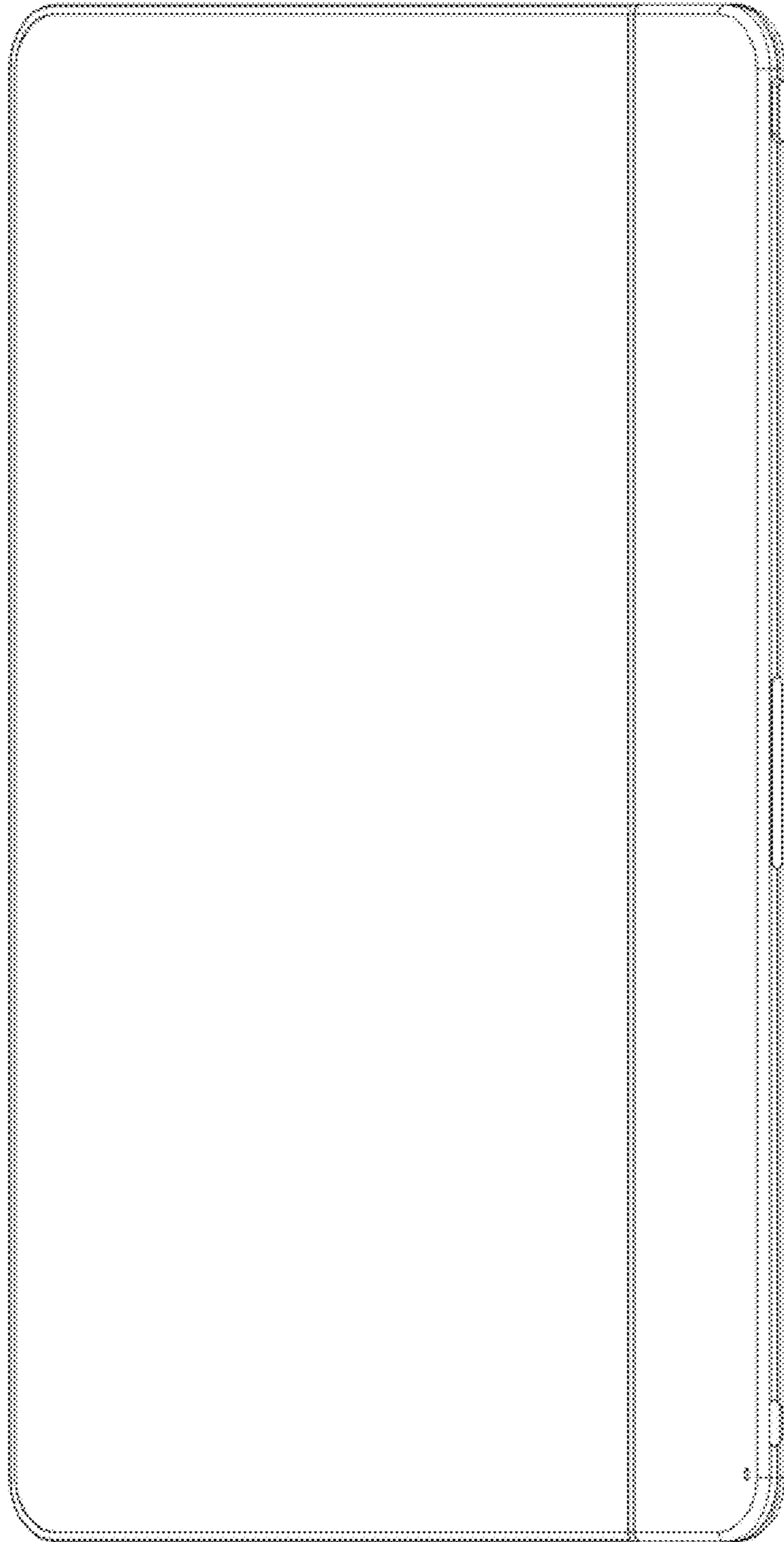


FIG. 9

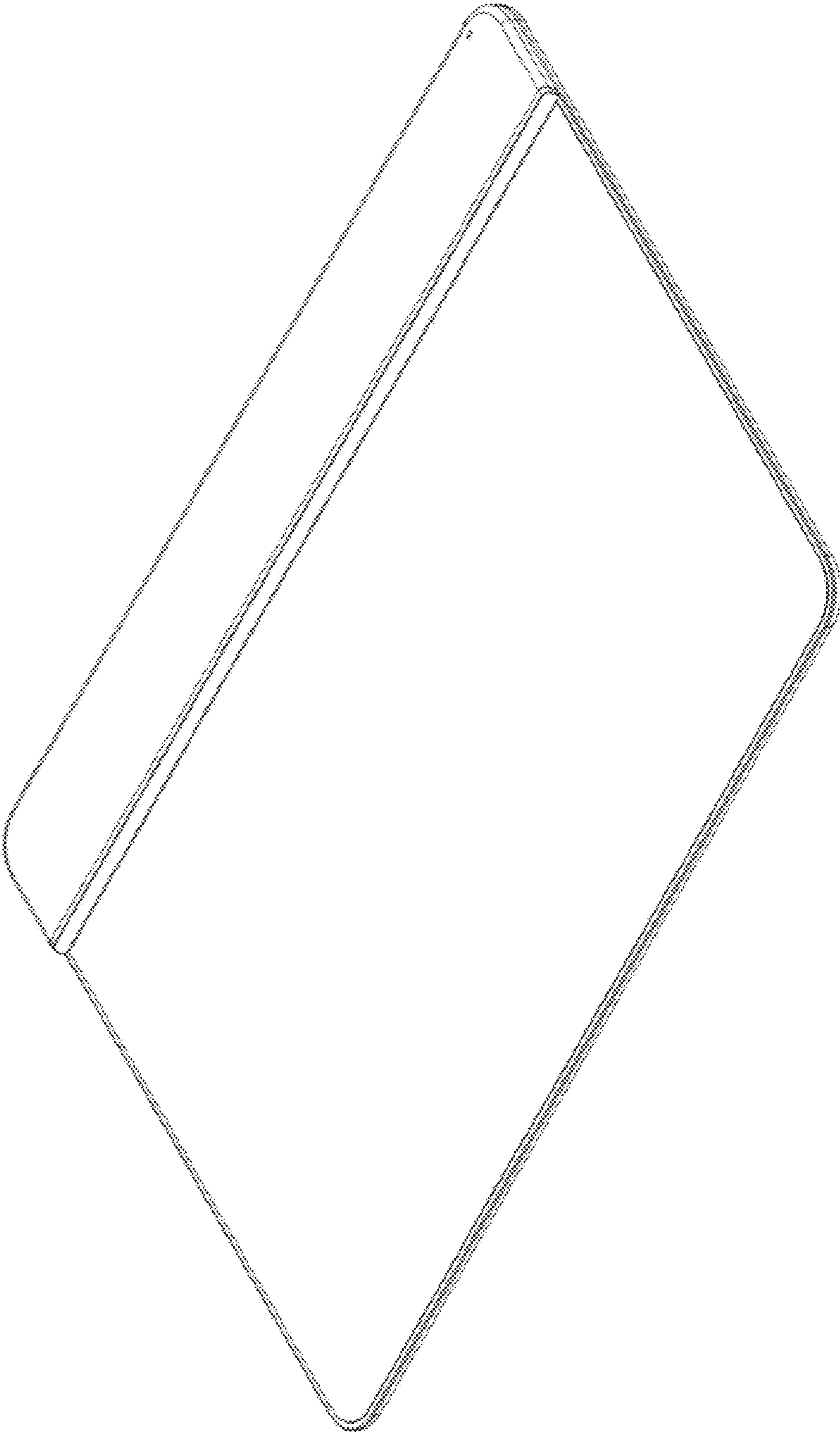


FIG. 10

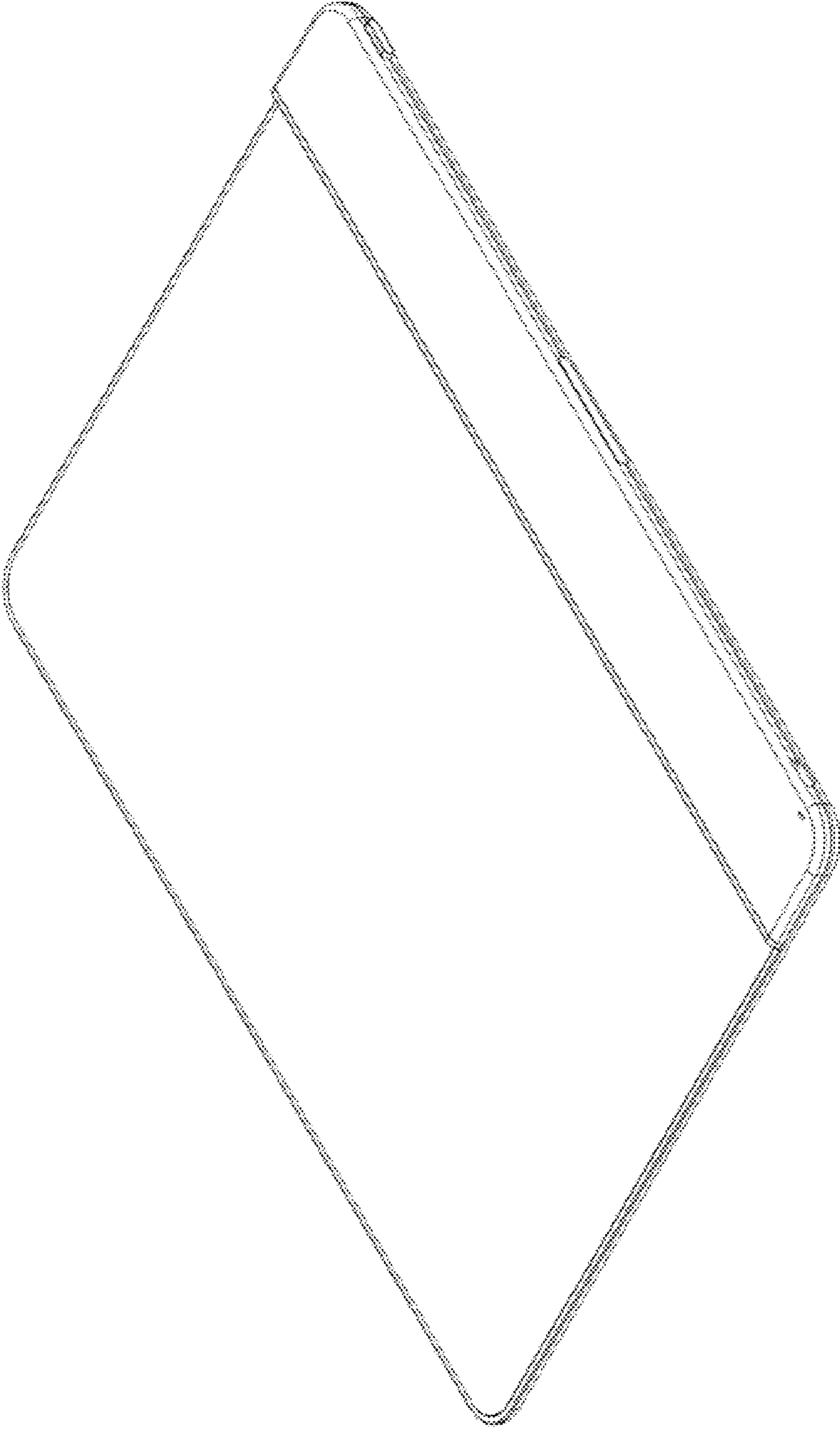


FIG. 11

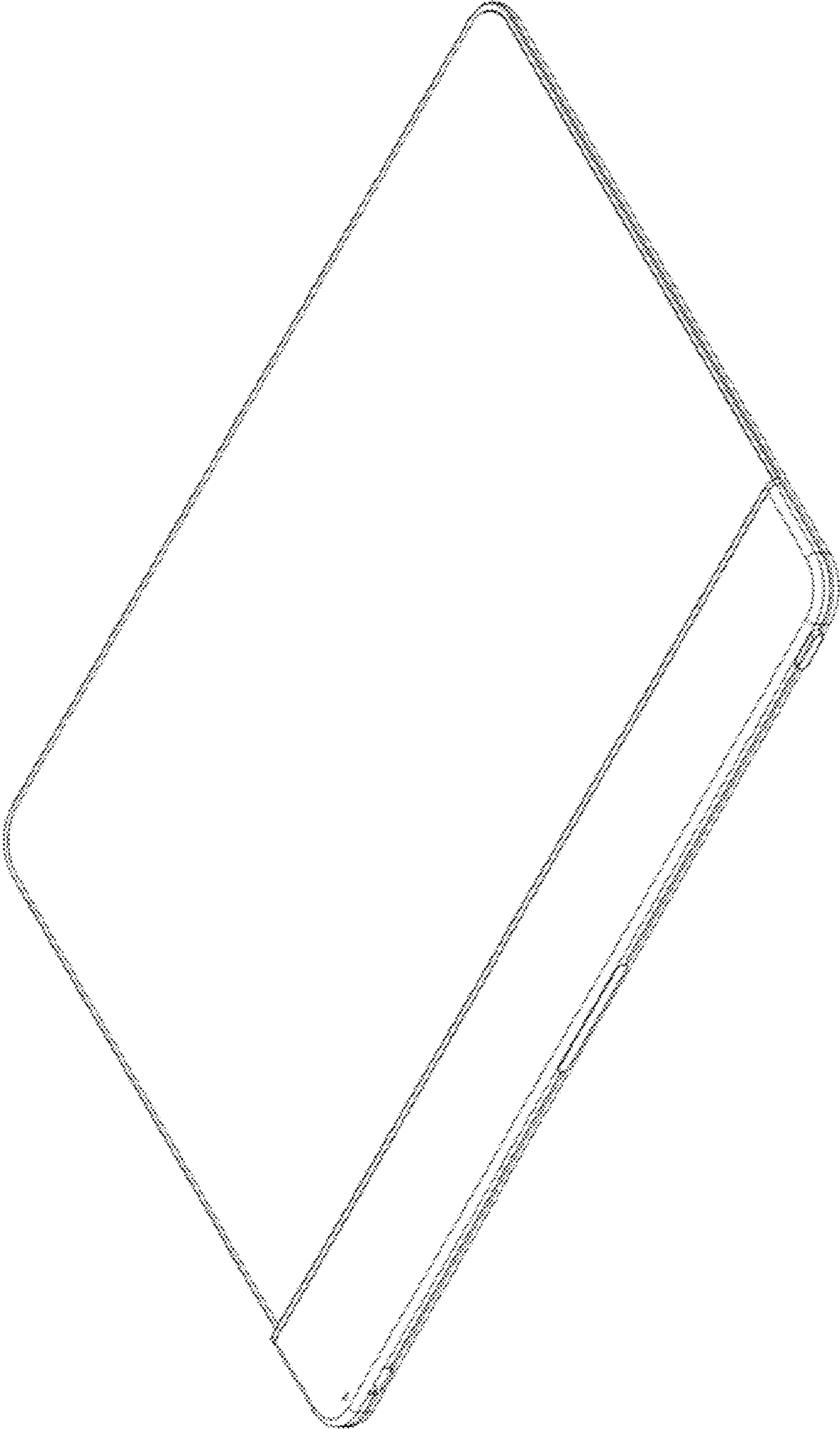


FIG. 12

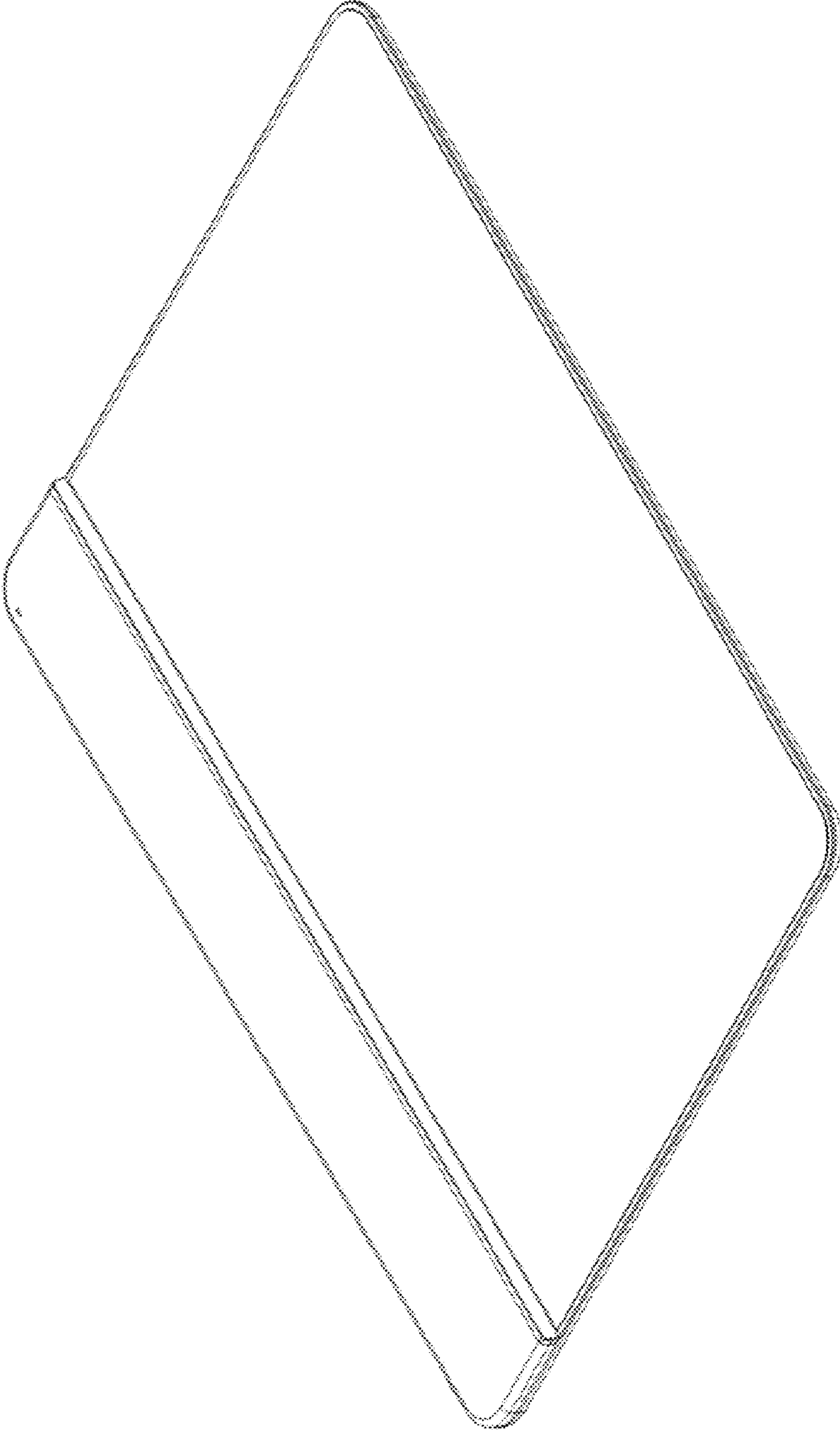


FIG. 13

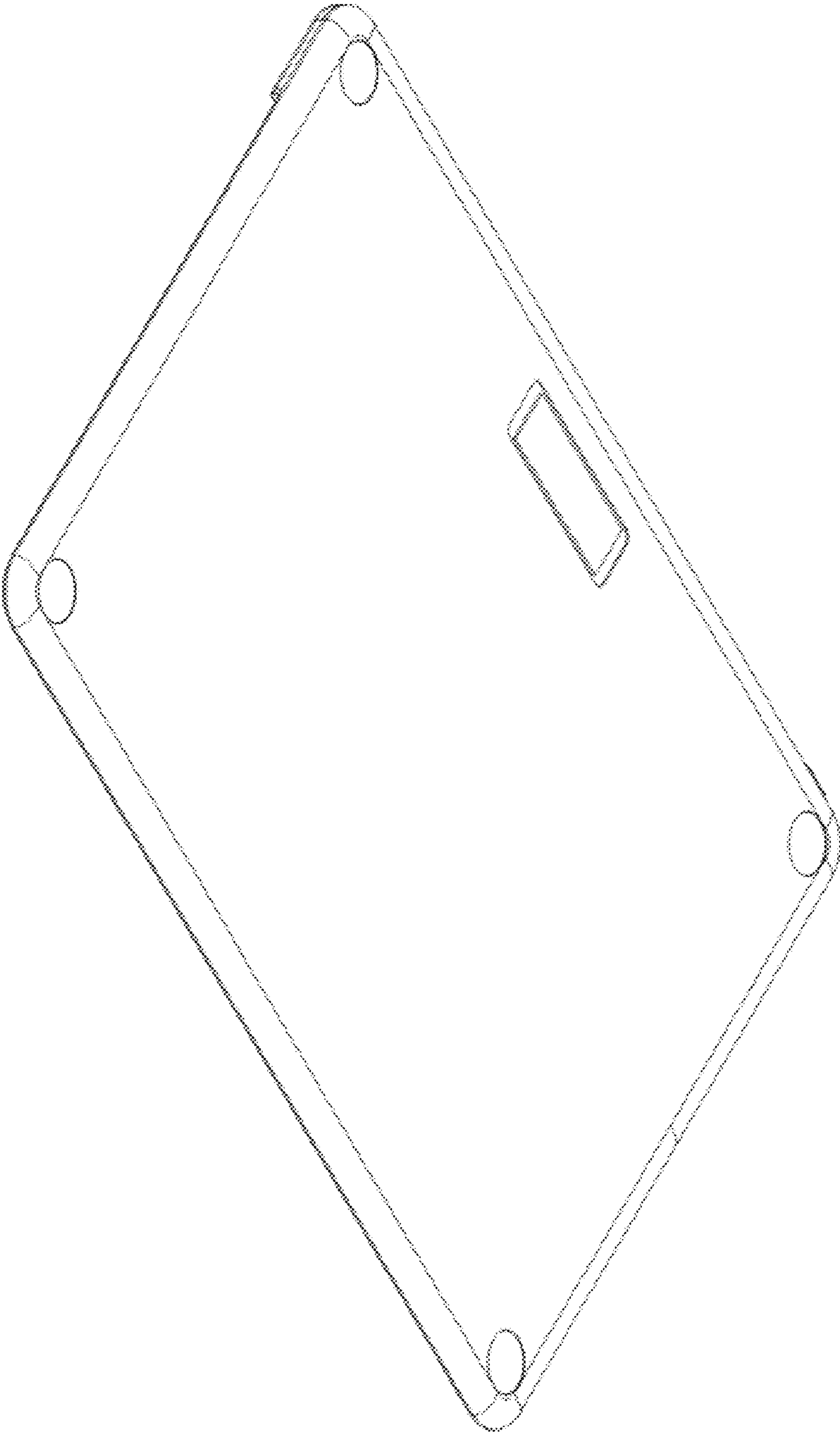
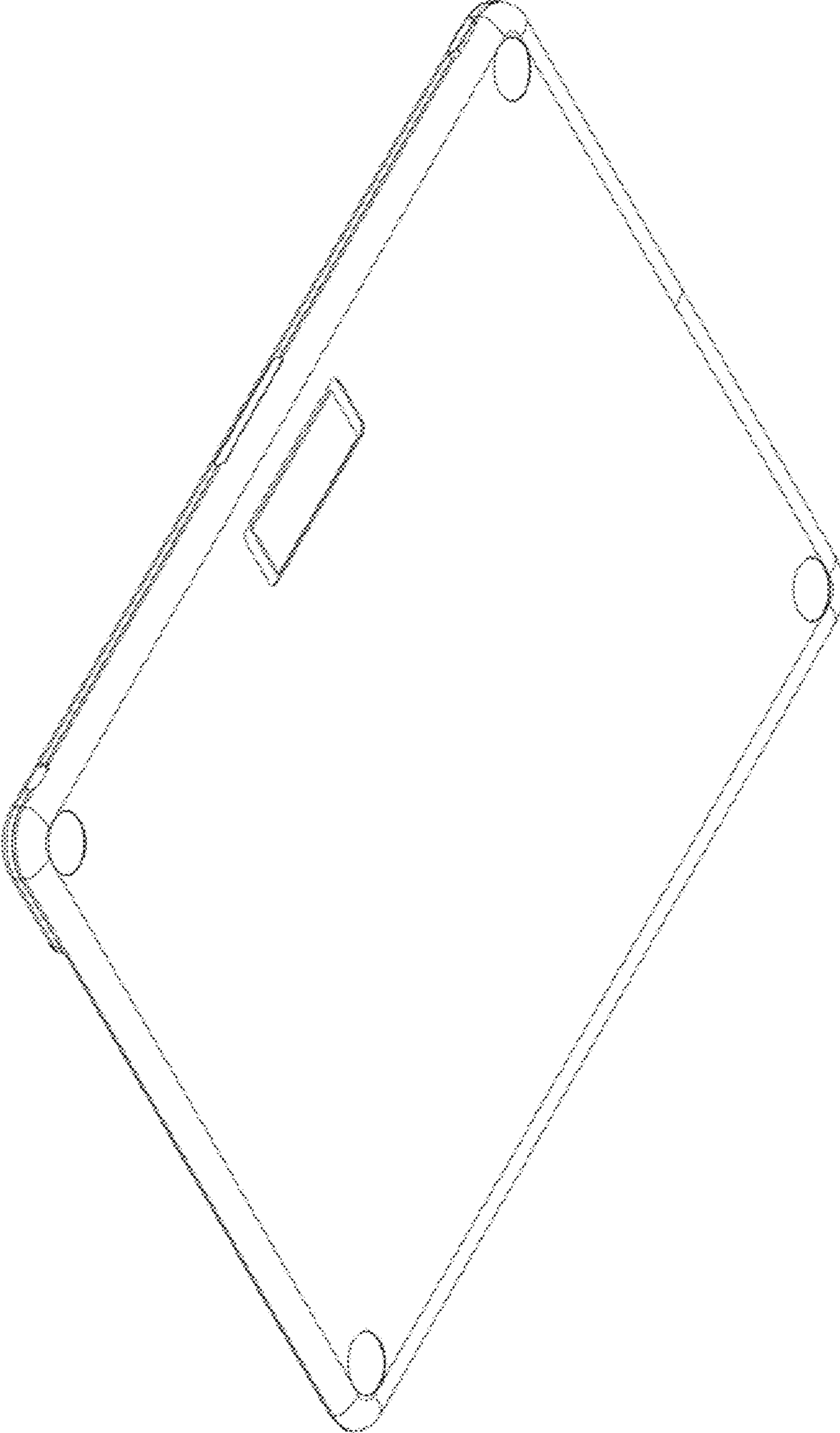


FIG. 14



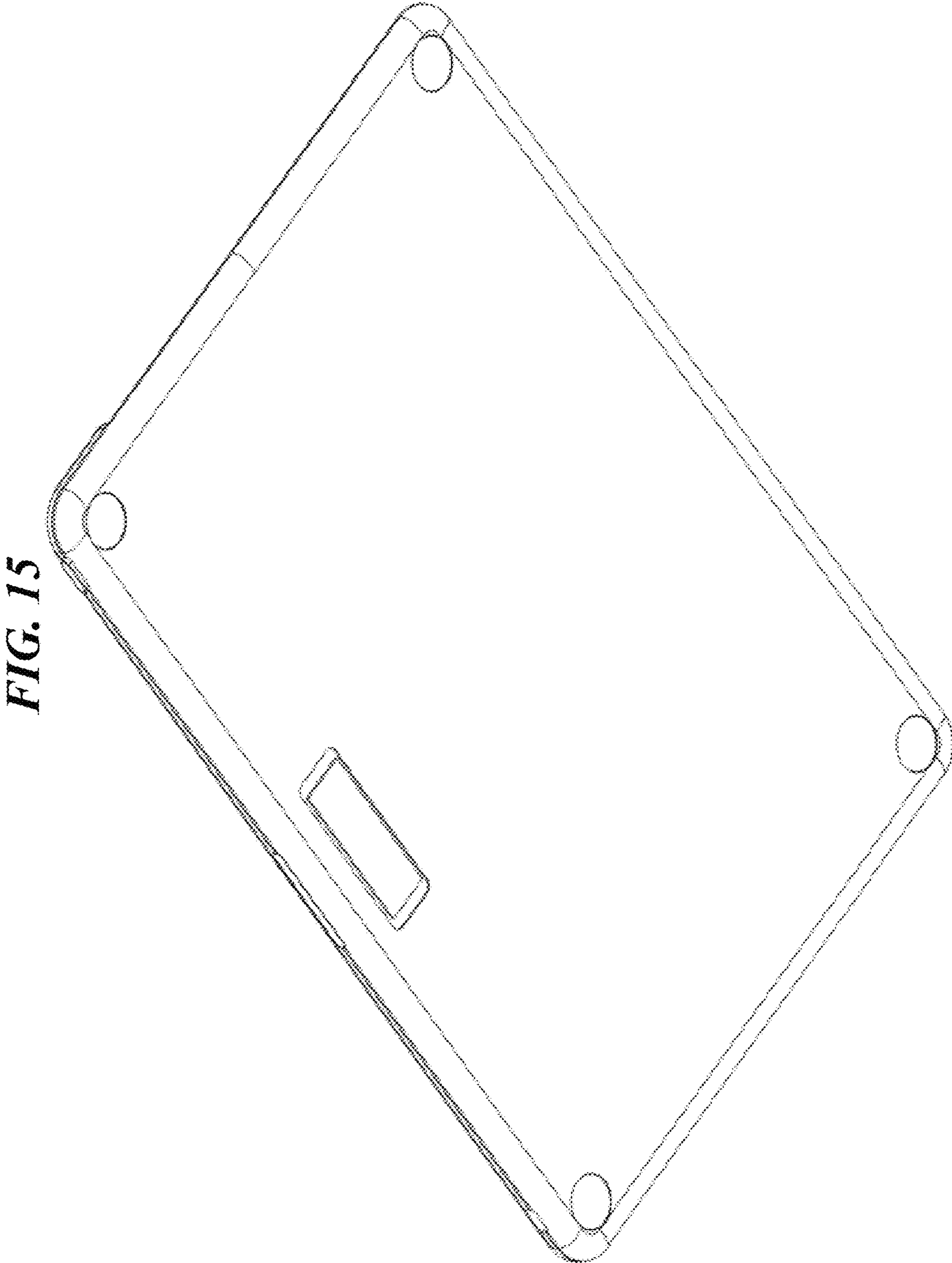


FIG. 15

FIG. 16

