



US00D820840S

(12) **United States Design Patent** (10) **Patent No.:** **US D820,840 S**  
**Akana et al.** (45) **Date of Patent:** **\*\* Jun. 19, 2018**

(54) **COVER**

(71) Applicant: **Apple Inc.**, Cupertino, CA (US)

(72) Inventors: **Jody Akana**, San Francisco, CA (US); **Molly Anderson**, San Francisco, CA (US); **Bartley K. Andre**, Palo Alto, CA (US); **Shota Aoyagi**, San Francisco, CA (US); **Anthony Michael Ashcroft**, San Francisco, CA (US); **Jeremy Bataillou**, San Francisco, CA (US); **Daniel J. Coster**, San Francisco, CA (US); **Daniele De Iuliis**, San Francisco, CA (US); **M. Evans Hankey**, San Francisco, CA (US); **Julian Hoenig**, San Francisco, CA (US); **Richard P. Howarth**, San Francisco, CA (US); **Jonathan P. Ive**, San Francisco, CA (US); **Duncan Robert Kerr**, San Francisco, CA (US); **Matthew Dean Rohrbach**, San Francisco, CA (US); **Peter Russell-Clarke**, San Francisco, CA (US); **Benjamin Andrew Shaffer**, San Jose, CA (US); **Mikael Silvano**, San Francisco, CA (US); **Christopher J. Stringer**, Woodside, CA (US); **Eugene Antony Whang**, San Francisco, CA (US); **Rico Zörkendörfer**, San Francisco, CA (US)

(73) Assignee: **Apple Inc.**, Cupertino, CA (US)

(\*\*) Term: **15 Years**

(21) Appl. No.: **29/570,007**

(22) Filed: **Jul. 1, 2016**

**Related U.S. Application Data**

(63) Continuation of application No. 29/538,661, filed on Sep. 4, 2015, now Pat. No. Des. 779,485.

(51) **LOC (11) Cl.** ..... **14-02**

(52) **U.S. Cl.**  
USPC ..... **D14/345**

(58) **Field of Classification Search**

USPC ..... D14/341-347, 336, 337, 371, 374, 138, D14/496, 440; D10/65; 345/901, 104,  
(Continued)

(56) **References Cited**

**U.S. PATENT DOCUMENTS**

D317,935 S \* 7/1991 Sawano ..... D14/345  
D364,191 S 11/1995 Allen  
(Continued)

**FOREIGN PATENT DOCUMENTS**

JP D1475195 S 7/2013  
JP D1517990 2/2015  
(Continued)

**OTHER PUBLICATIONS**

U.S. Appl. No. 29/538,661, filed Sep. 4, 2015; Akana et al.  
(Continued)

*Primary Examiner* — Barbara Fox

(74) *Attorney, Agent, or Firm* — Sterne, Kessler, Goldstein & Fox P.L.L.C.

(57) **CLAIM**

The ornamental design for a cover, as shown and described.

**DESCRIPTION**

FIG. 1 is a top front perspective view of a cover showing the claimed design;

FIG. 2 is a front view thereof;

FIG. 3 is a rear view thereof;

FIG. 4 is a left side view thereof;

FIG. 5 is a right side view thereof

FIG. 6 is a top view thereof;

FIG. 7 is a bottom view thereof;

FIG. 8 is a side view of the cover in an environment in which it may be used, shown in an alternate position;

FIG. 9 is another side view of the cover in an environment in which it may be used, shown in an alternate position;

(Continued)

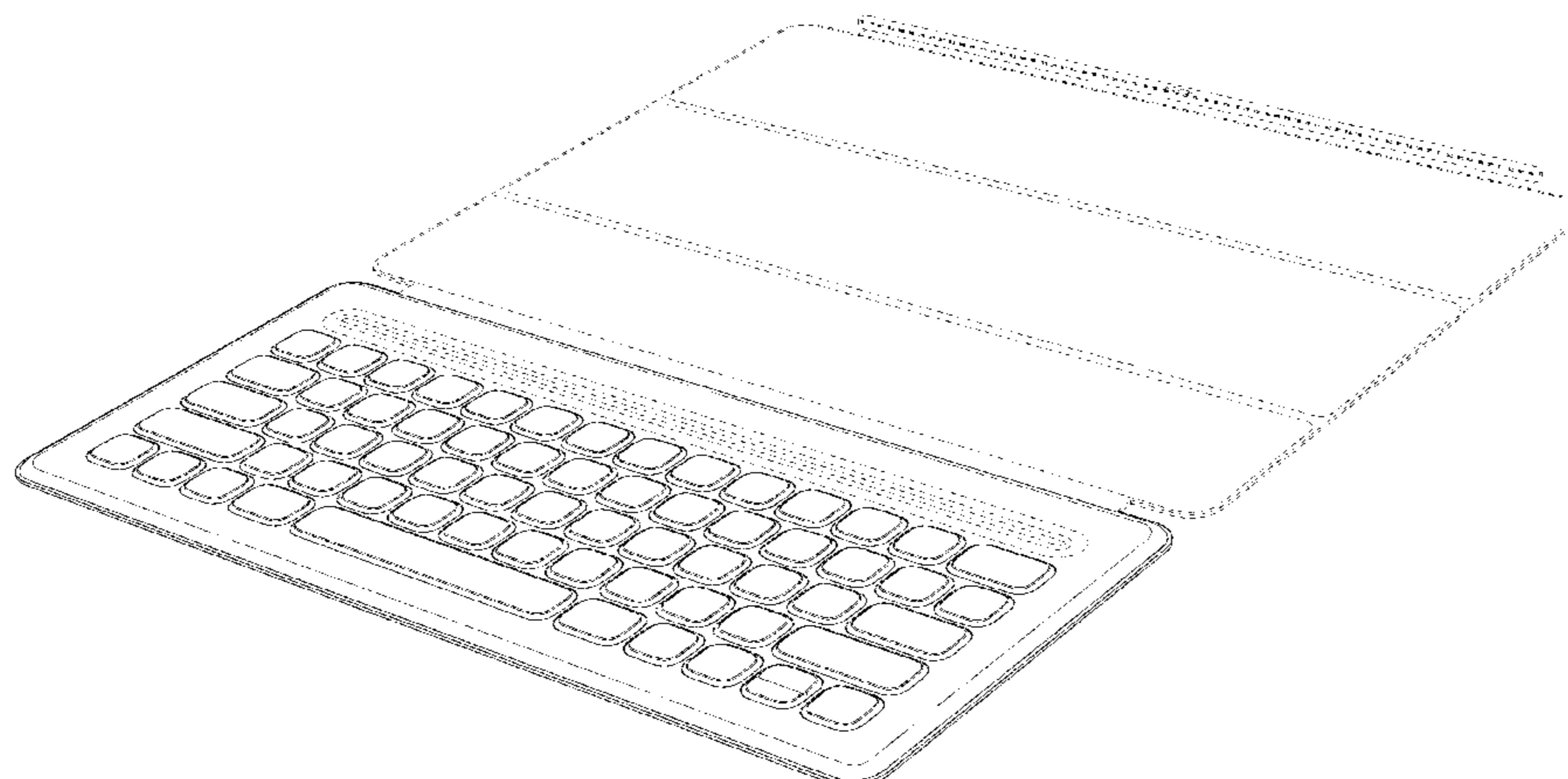


FIG. 10 is another side view of the cover in an environment in which it may be used, shown in an alternate position; and, FIG. 11 is another side view of the cover in an environment in which it may be used, shown in an alternate position. The dashed broken lines in the figures show portions of the cover and environment that form no part of the claimed design. The dot-dash broken lines in the figures show boundaries that form no part of the claimed design.

**1 Claim, 7 Drawing Sheets**

**(58) Field of Classification Search**

USPC ..... 345/133, 156, 168, 173; 348/180, 184, 348/325, 739, 373, 376; 385/88; 710/62; 455/575.3, 575.1; D19/60; 361/679.27; 178/18.03; 434/317

See application file for complete search history.

**(56) References Cited**

**U.S. PATENT DOCUMENTS**

D409,175 S	5/1999	Renk	
D516,079 S	2/2006	Solomon et al.	
D525,980 S	8/2006	Wang et al.	
D592,211 S	5/2009	Ichise et al.	
D604,300 S	11/2009	Andre et al.	
D612,843 S	3/2010	Andre et al.	
D616,886 S	6/2010	Andre et al.	
D637,814 S	5/2011	Akana et al.	
D640,695 S	6/2011	Andre et al.	
D653,665 S	2/2012	Maruyama	
D658,186 S	4/2012	Akana et al.	
D669,477 S	* 10/2012	Akana .....	D14/391
D671,114 S	11/2012	Akana et al.	
D672,353 S	12/2012	Liu	
D672,360 S	* 12/2012	Lee .....	D14/392
D672,781 S	12/2012	Lu	
D674,800 S	1/2013	Kim	
D676,048 S	* 2/2013	McManigal .....	D14/392
D676,848 S	2/2013	Smith et al.	
D677,668 S	3/2013	Phillips et al.	
D678,260 S	3/2013	Bau	
D678,300 S	3/2013	Groene et al.	
D679,279 S	4/2013	Yang et al.	
D679,703 S	4/2013	Tanaka	
D682,832 S	5/2013	Smith et al.	
D682,839 S	5/2013	Sampson et al.	
D685,802 S	7/2013	Canizares et al.	
D688,251 S	8/2013	Akana et al.	
D689,059 S	* 9/2013	Tak .....	D14/455
D691,135 S	10/2013	Choi	
D691,151 S	* 10/2013	Hsu .....	D14/456
D692,886 S	11/2013	Bates et al.	
D692,902 S	11/2013	Groene et al.	
D695,743 S	12/2013	Akana et al.	
D696,253 S	* 12/2013	Akana .....	D14/345
D696,254 S	12/2013	Groene et al.	
D696,262 S	12/2013	Groene et al.	
D696,667 S	12/2013	Helwig et al.	
D703,209 S	4/2014	Marcus	
D704,702 S	5/2014	Akana et al.	
D704,717 S	5/2014	Tanaka	
D705,227 S	5/2014	Groene et al.	
D706,270 S	6/2014	Akana et al.	
D720,355 S	12/2014	Akana et al.	

D720,747 S	1/2015	Kim et al.	
D720,748 S	1/2015	Groene et al.	
D731,485 S	6/2015	Kim et al.	
D731,486 S	6/2015	Kim et al.	
D735,196 S	7/2015	Son	
D735,205 S	7/2015	Akana et al.	
D735,212 S	7/2015	Son	
D740,298 S	10/2015	Son et al.	
D740,831 S	10/2015	Colby	
D746,819 S	1/2016	Feiz et al.	
D749,587 S	* 2/2016	Lee .....	D14/392
D750,079 S	2/2016	Chen et al.	
D750,081 S	2/2016	Jeong et al.	
D750,094 S	* 2/2016	Gengler .....	D14/455
D750,095 S	2/2016	Jeong et al.	
D750,629 S	3/2016	Kim et al.	
D751,553 S	3/2016	Kim et al.	
D751,567 S	3/2016	Seoc et al.	
D753,648 S	4/2016	Shyu et al.	
D754,659 S	* 4/2016	Kim .....	D14/392
D757,023 S	* 5/2016	Bowers .....	D14/455
D758,377 S	* 6/2016	Warren .....	D14/392
D761,267 S	7/2016	Chen et al.	
D765,630 S	9/2016	Harata et al.	
D772,885 S	* 11/2016	Akana .....	D14/455
D772,886 S	* 11/2016	Akana .....	D14/455
D773,474 S	* 12/2016	Akana .....	D14/455
D776,116 S	* 1/2017	Akana .....	D14/392
D779,485 S	* 2/2017	Akana .....	D14/345
D779,490 S	* 2/2017	Akana .....	D14/392
D780,758 S	* 3/2017	Bailey .....	D14/392
D786,249 S	* 5/2017	Feiz .....	D14/392
D788,784 S	* 6/2017	Akana .....	D14/456
D789,934 S	* 6/2017	Akana .....	D14/392
D789,942 S	* 6/2017	Bailey .....	D14/455
D791,780 S	* 7/2017	Bailey .....	D14/455
D797,111 S	* 9/2017	Sauvage .....	D14/455
D799,485 S	* 10/2017	Kim .....	D14/392
D799,496 S	* 10/2017	Bailey .....	D14/455
D801,973 S	* 11/2017	Feng .....	D14/392
2007/0121311 A1	5/2007	Chou	
2008/0266782 A1	10/2008	Zhang	
2009/0159763 A1	6/2009	Kim	
2009/0283393 A1	11/2009	Chen et al.	
2011/0042195 A1	2/2011	Tsai	
2011/0227463 A1	9/2011	Hou et al.	
2012/0140396 A1	6/2012	Zeliff et al.	
2012/0194448 A1	8/2012	Rothkopf	
2012/0211377 A1	8/2012	Sajid	
2013/0233762 A1	9/2013	Balaji et al.	
2014/0186085 A1	7/2014	Zhang	
2016/0018854 A1	1/2016	Yu et al.	

**FOREIGN PATENT DOCUMENTS**

JP	D1537210	11/2015
JP	D1547736	4/2016
KR	30-0779797 S	1/2015

**OTHER PUBLICATIONS**

U.S. Appl. No. 29/538,664, filed Sep. 4, 2015; Akana et al.  
 U.S. Appl. No. 29/538,797, filed Sep. 8, 2015; Akana et al.  
 Belkin International, Inc., "Belkin Expands Keyboard Lineup to New Apple Ipad Mini," dated Nov. 14, 2012.  
 Wayback Machine Internet Archive, Tangram Design Lab Inc., "Smart Top: Ipad and Wireless Keyboard at a Time" <<https://web.archive.org/web/20121013124127/http://tangramdesignlab.com/smarttop/en/>> dated Oct. 13, 2012, accessed Nov. 9, 2016.

\* cited by examiner



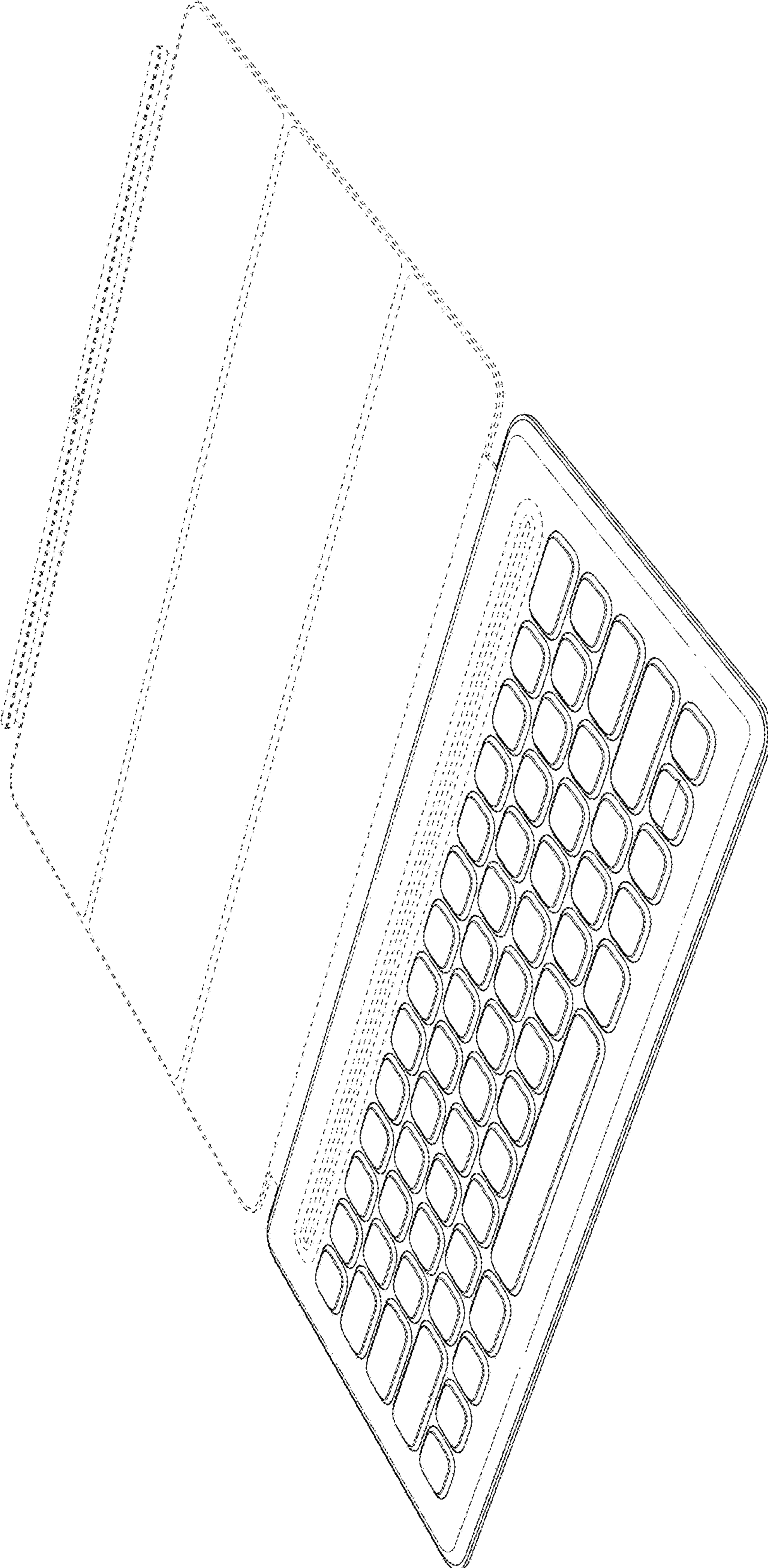
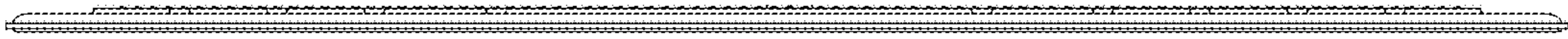
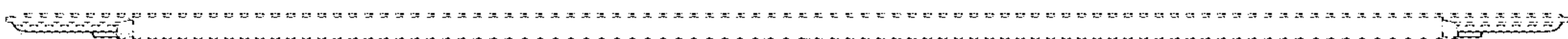


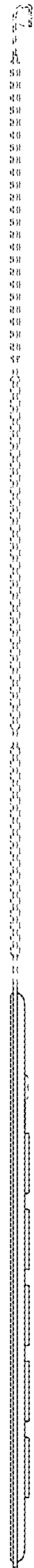
FIG. 1



**FIG. 2**



**FIG. 3**



**FIG. 4**



**FIG. 5**

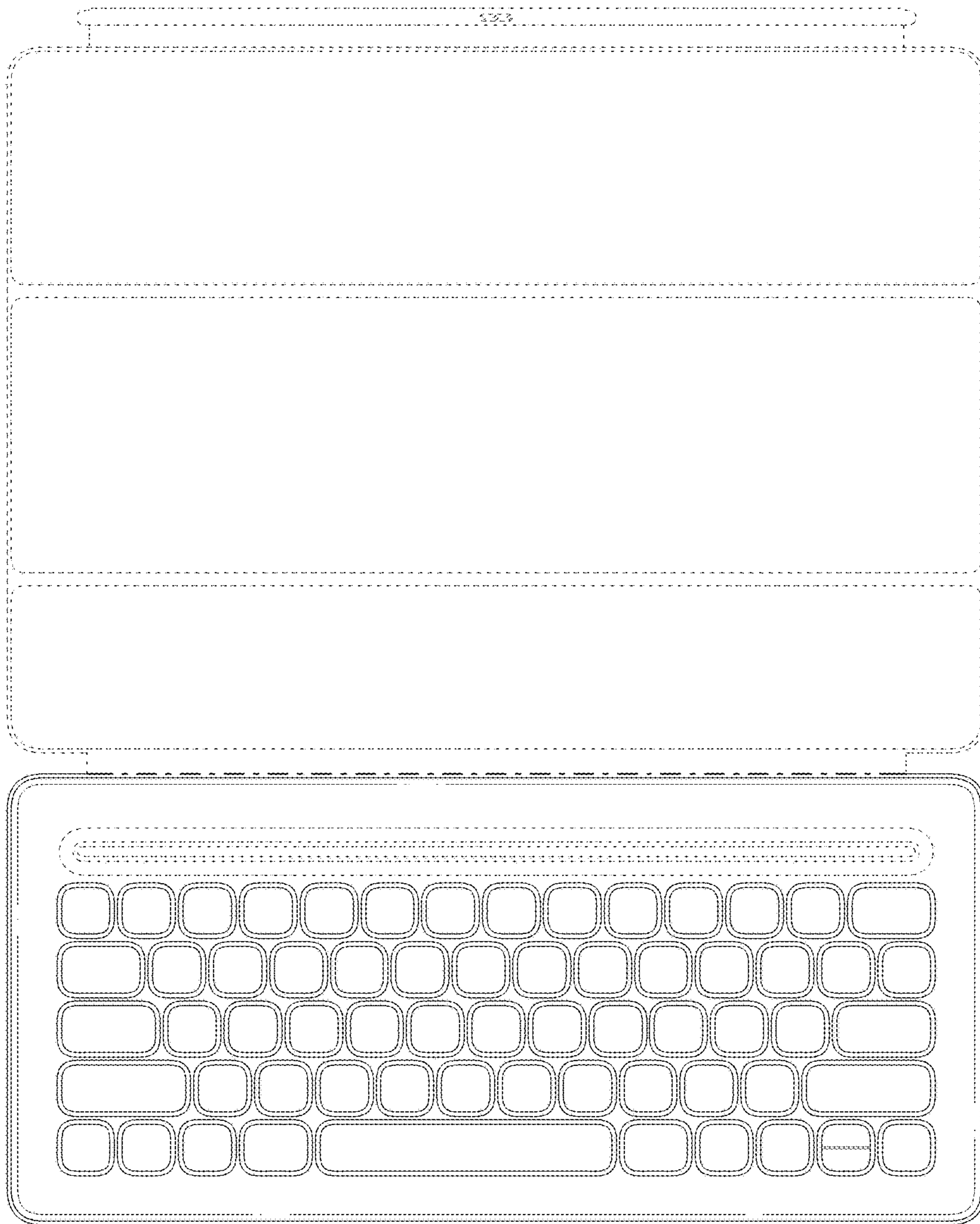
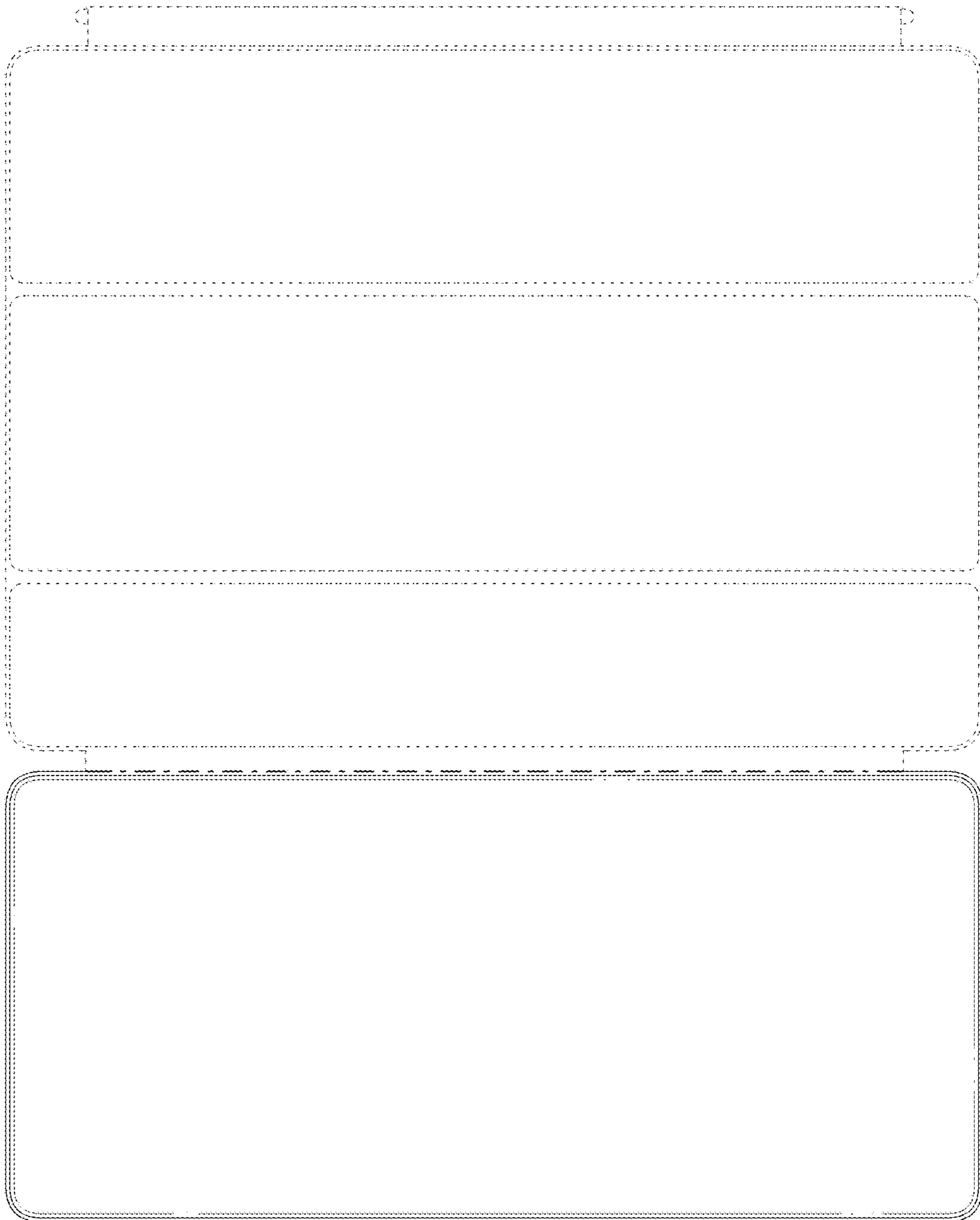
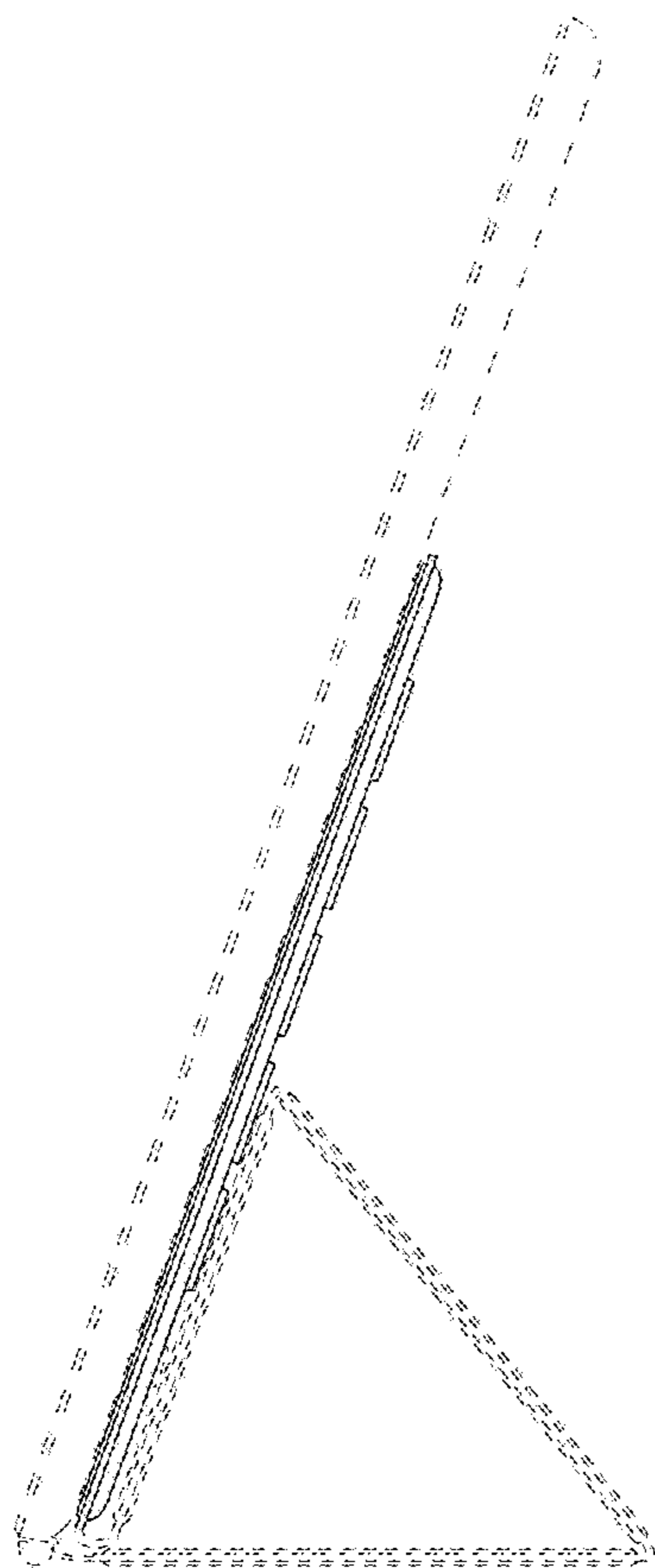


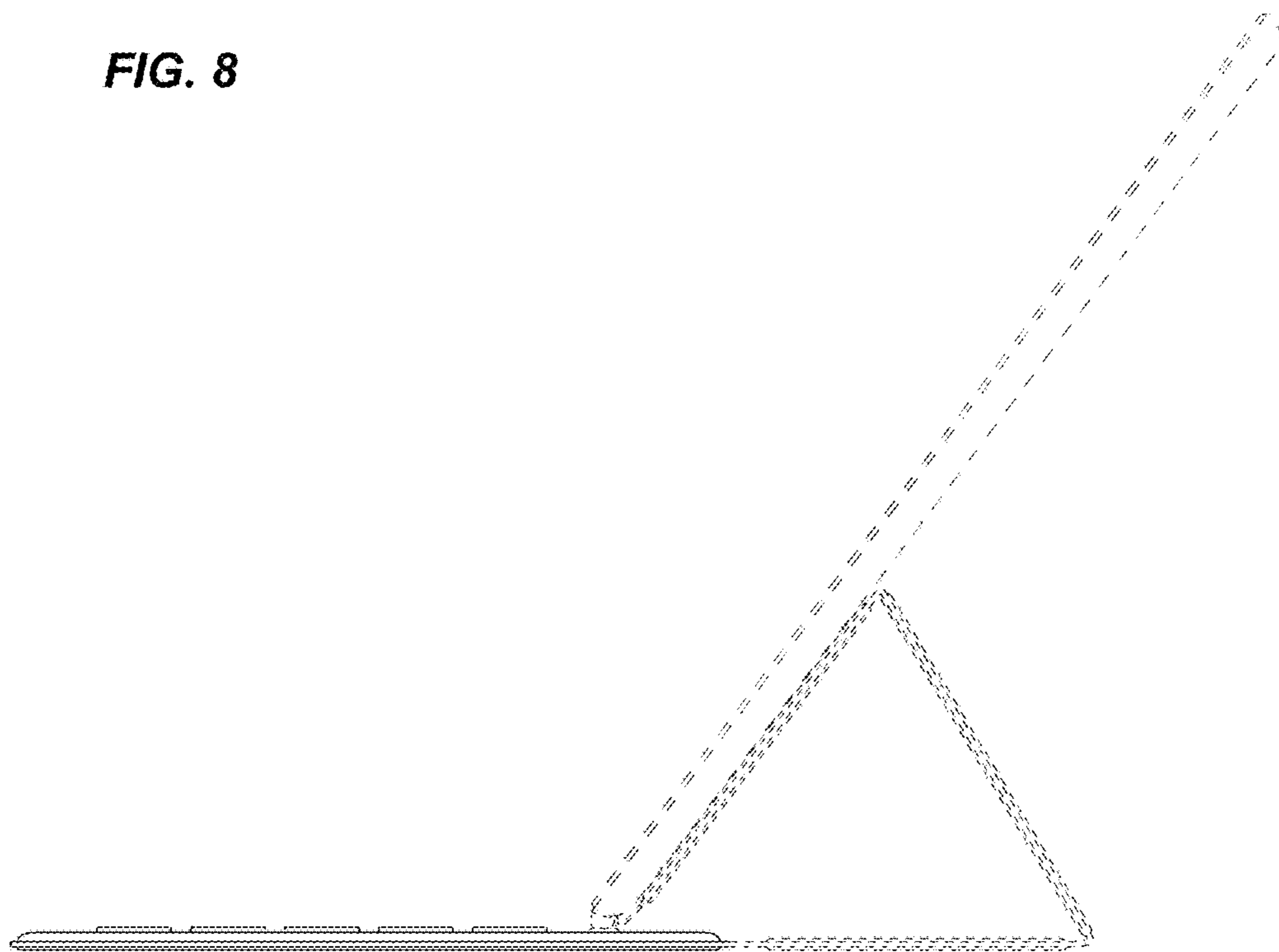
FIG. 6



**FIG. 7**

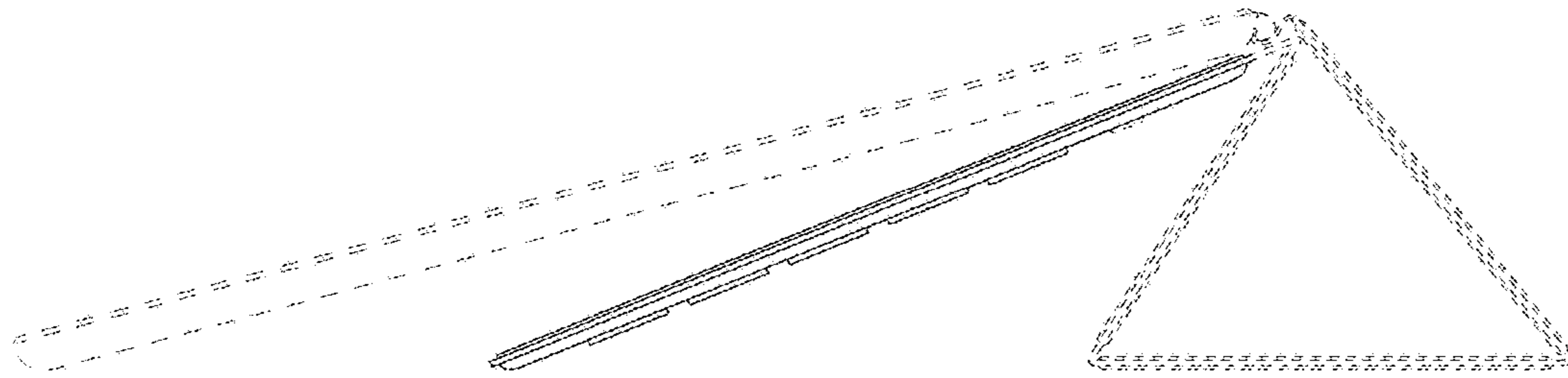


**FIG. 8**

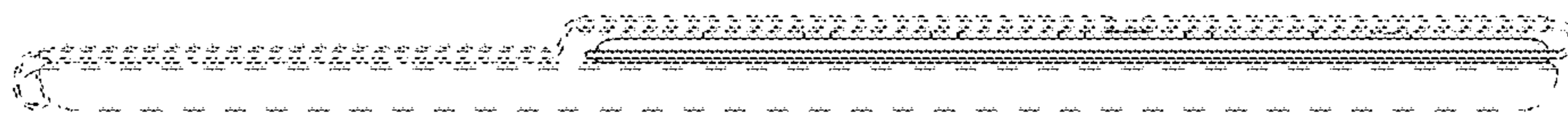


**FIG. 9**





**FIG. 10**



**FIG. 11**