



US00D820830S

(12) **United States Design Patent**  
**Lee et al.**

(10) **Patent No.:** **US D820,830 S**  
(45) **Date of Patent:** **\*\* Jun. 19, 2018**

(54) **COMPUTING DEVICE**  
(71) Applicant: **Hewlett-Packard Development Company, L.P.**, Houston, TX (US)  
(72) Inventors: **Peter K. Lee**, San Jose, CA (US);  
**Stacy L. Wolff**, Cypress, TX (US);  
**Marcus A. Hoggarth**, St. Albans (GB);  
**Matthew G. Leck**, London (GB);  
**Stephen P. de Saulles**, London (GB)

7,042,712 B2 \* 5/2006 Ghosh et al. .... 361/679.03  
D545,789 S \* 7/2007 Dayan ..... D14/129  
D553,153 S \* 10/2007 Kim ..... D14/496  
D574,795 S \* 8/2008 Wlotzka ..... D14/129  
D584,259 S \* 1/2009 Wlotzka ..... D14/129  
D584,716 S \* 1/2009 Ahlgren et al. .... D14/214  
D587,261 S \* 2/2009 Skaf et al. .... D14/341  
D609,661 S \* 2/2010 VanDuyn et al. .... D14/126  
D615,527 S \* 5/2010 Hwang ..... D14/203.8  
D629,771 S \* 12/2010 Haspil et al. .... D14/138 G

(Continued)

(73) Assignee: **Hewlett Packard Development Company, L.P.**, Houston, TX (US)

(\*\*) Term: **14 Years**

(21) Appl. No.: **29/439,821**

(22) Filed: **Dec. 14, 2012**

(51) **LOC (11) Cl.** ..... **14-02**

(52) **U.S. Cl.**  
USPC ..... **D14/341**

(58) **Field of Classification Search**  
USPC ..... D14/341–347, 137, 138 R, 138 AA,  
D14/138 C, 138 G, 496, 203.1, 203.3,  
D14/203.4, 203.7, 129, 130, 147, 218,  
D14/248, 389, 388, 426, 420, 447;  
D10/65, 104.1; D18/6–7; D21/324, 329,  
D21/330; 455/556.1, 556.2, 566, 575.1,  
455/90.3; 379/433.04, 433.01, 433.06,  
379/916; 345/173, 901, 905;  
361/679.26, 679.3, 679.55, 679.56  
CPC .... H04M 1/00; H04M 11/066; H04M 1/2478;  
H04M 1/72519; H04M 2201/38; H04M  
2250/22; G06F 15/00  
See application file for complete search history.

(56) **References Cited**

**U.S. PATENT DOCUMENTS**

D244,331 S \* 5/1977 Woods ..... D18/12  
D255,745 S \* 7/1980 Pedersen ..... D6/311  
D502,179 S \* 2/2005 Cha et al. .... D14/375

**OTHER PUBLICATIONS**

Sony VAIO Tap 20—Microsoft Windows (Web Page).  
Sony VAIO Tap 20 Review (Web Page).

*Primary Examiner* — Barbara Fox

(74) *Attorney, Agent, or Firm* — Rathe Lindenbaum LLP

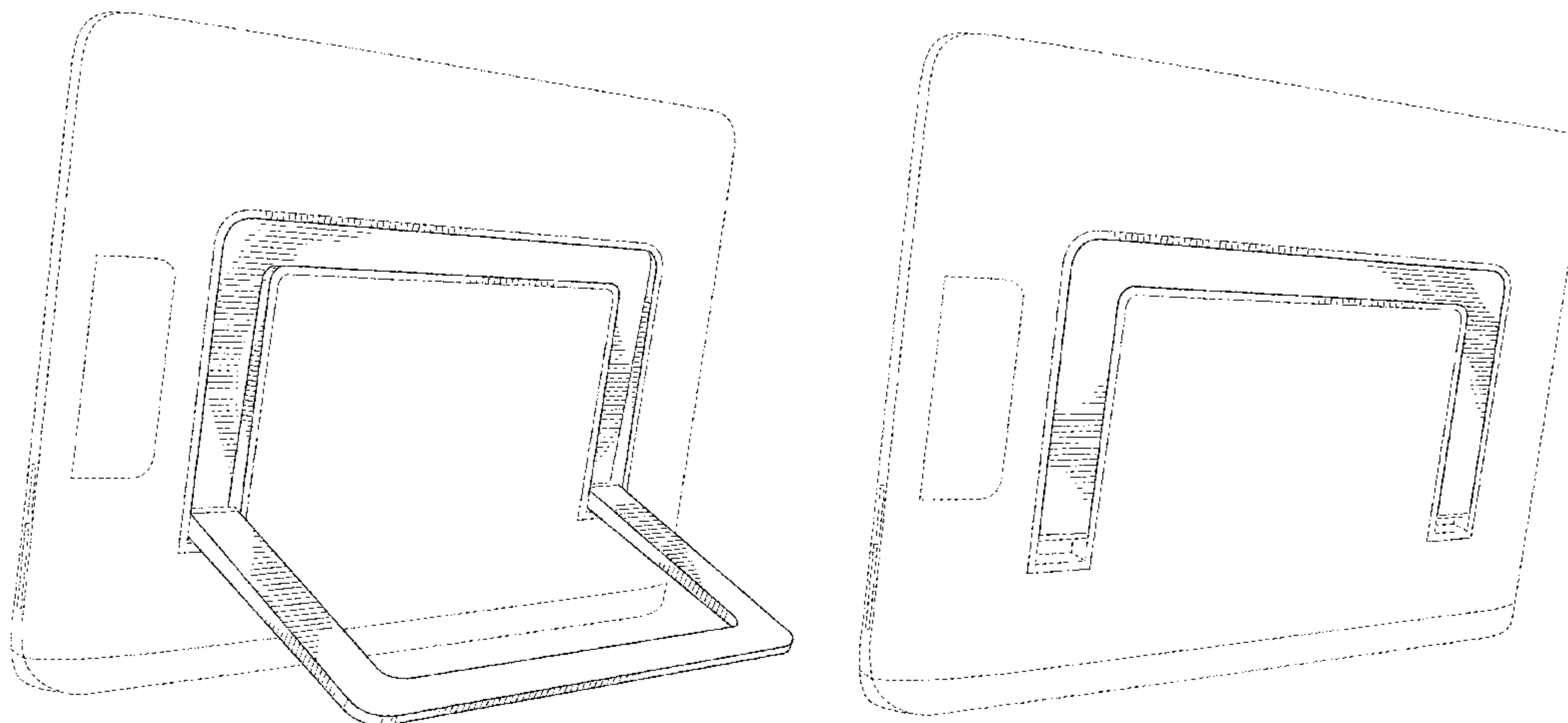
(57) **CLAIM**

We claim the ornamental design for a computing device, as shown and described.

**DESCRIPTION**

FIG. 1 is a rear perspective view of a computing device showing our new design with a stand in an extended state; FIG. 2 is a front perspective view thereof; FIG. 3 is a front view thereof; FIG. 4 is a rear view thereof; FIG. 5 is a right side view thereof; FIG. 6 is a left side view thereof; FIG. 7 is a top view thereof; FIG. 8 is a bottom view thereof; FIG. 9 is a side view thereof with the stand in a retracted state; and, FIG. 10 is a rear perspective view thereof with the stand in the retracted state. The broken lines shown in the drawings represent portions of the computing device which form no part of the claimed design.

**1 Claim, 9 Drawing Sheets**



(56)

**References Cited**

U.S. PATENT DOCUMENTS

D631,469	S	*	1/2011	Demskie et al. ....	D14/218
D638,014	S	*	5/2011	Chong et al. ....	D14/383
D639,267	S	*	6/2011	DeLorenzo et al. ....	D14/142
D639,810	S	*	6/2011	Hwang et al. ....	D14/434
D648,727	S	*	11/2011	Van Den Nieuwenhuizen et al. ....	D14/447
D684,981	S	*	6/2013	Chang et al. ....	D14/451
D687,825	S	*	8/2013	Lee et al. ....	D14/341
D691,144	S	*	10/2013	Peters et al. ....	D14/440
D705,785	S	*	5/2014	Wang .....	D14/447
2009/0201254	A1	*	8/2009	Rais .....	345/168

\* cited by examiner

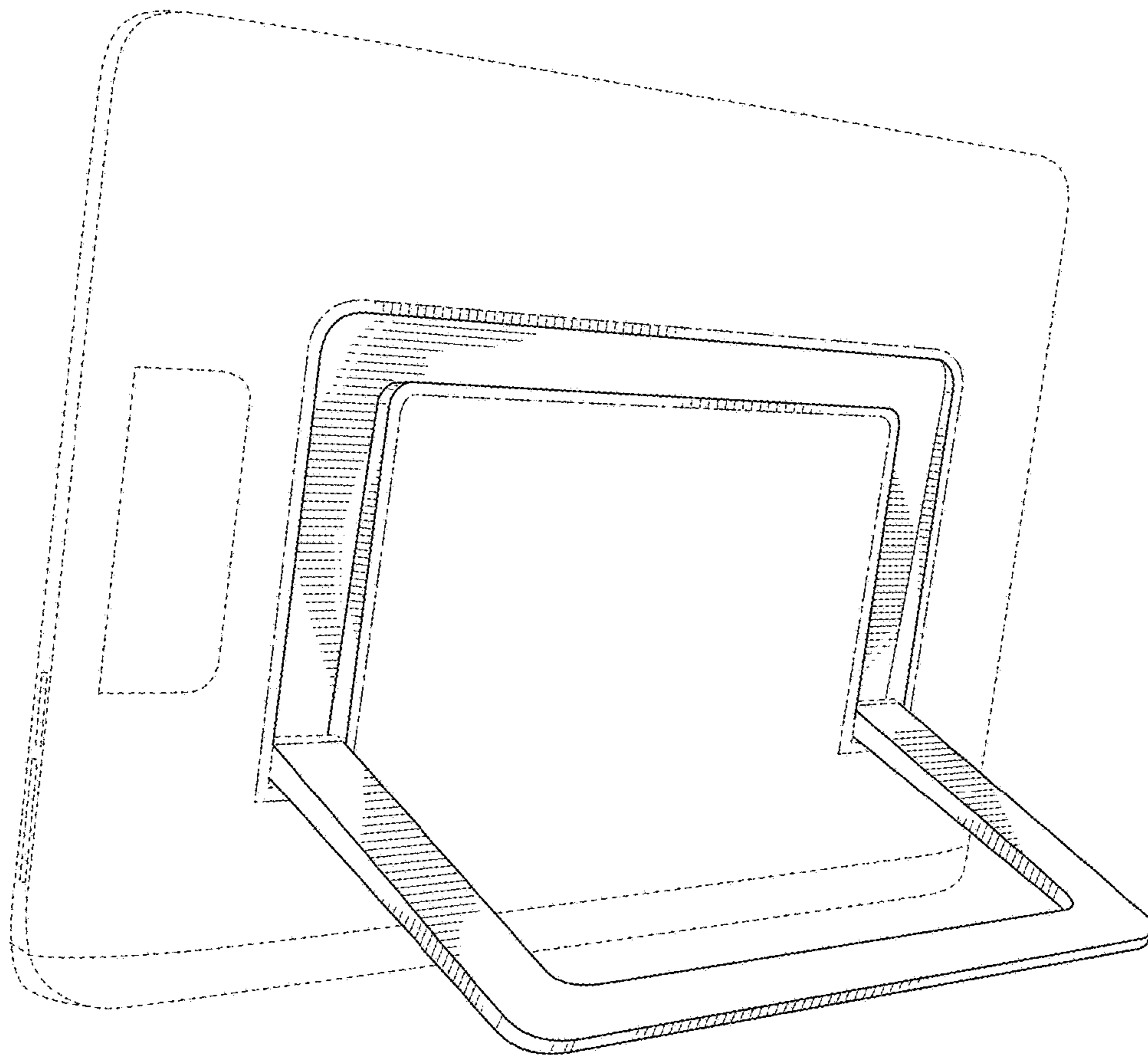


FIG. 1

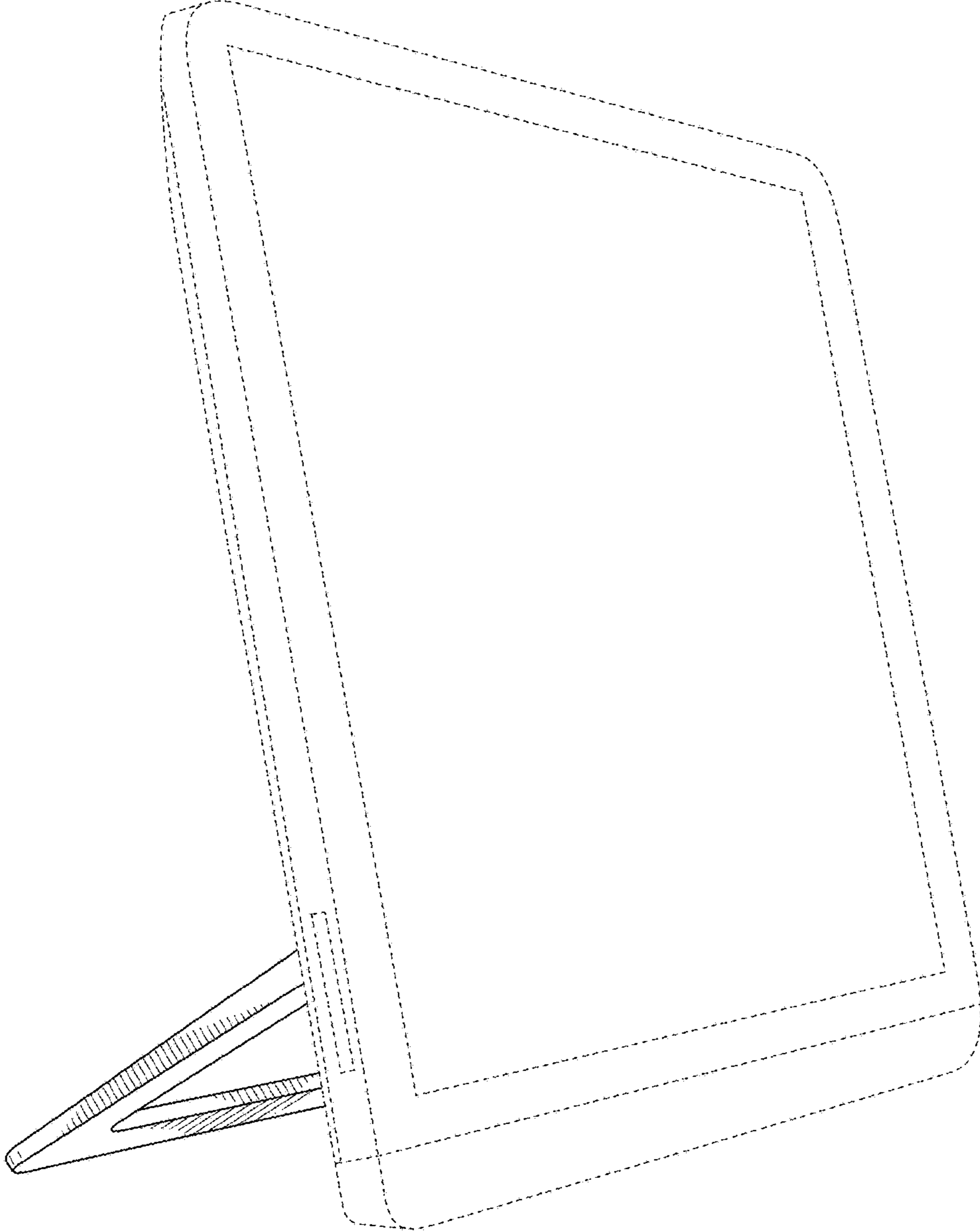


FIG. 2



FIG. 3

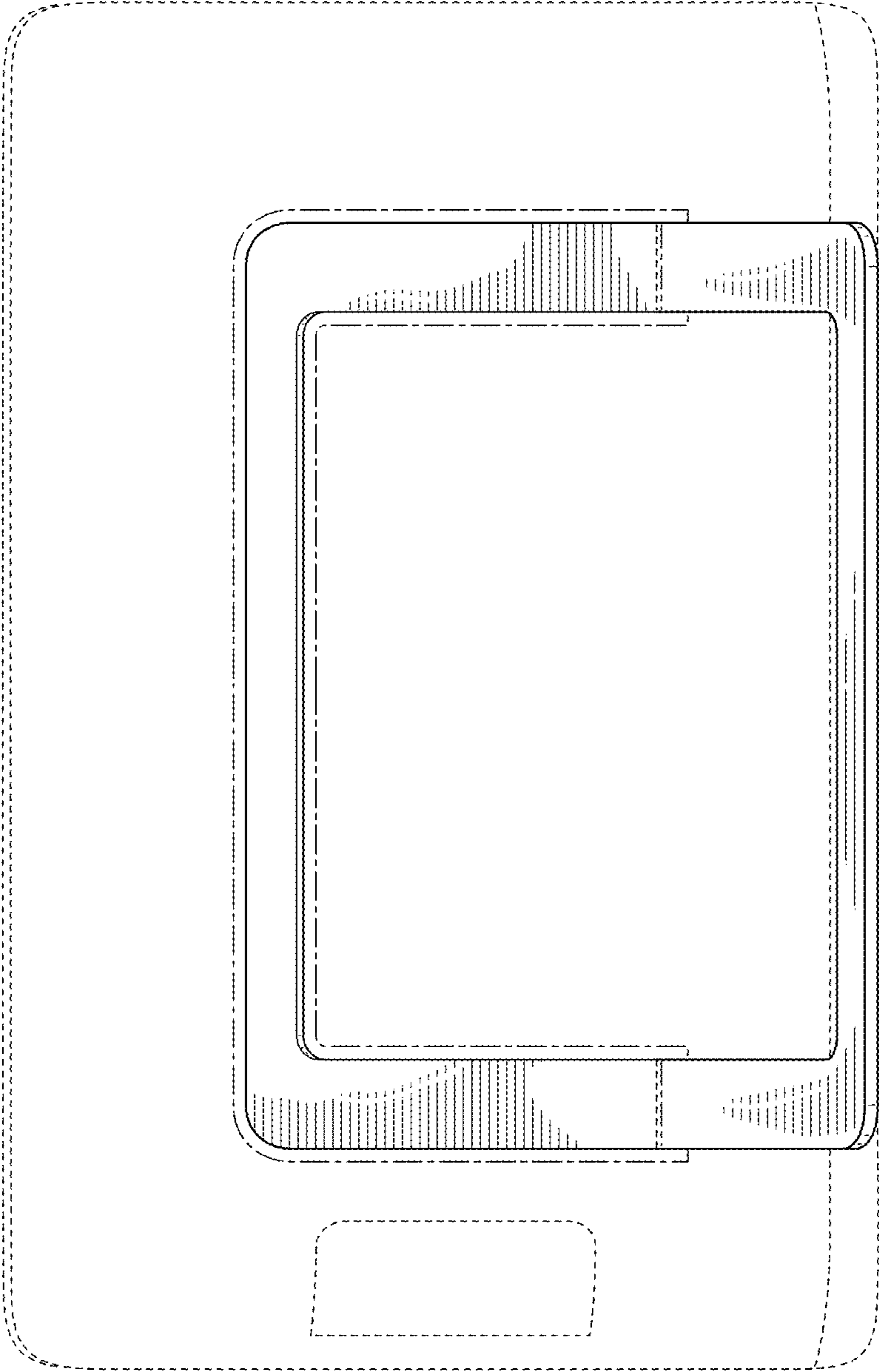


FIG. 4

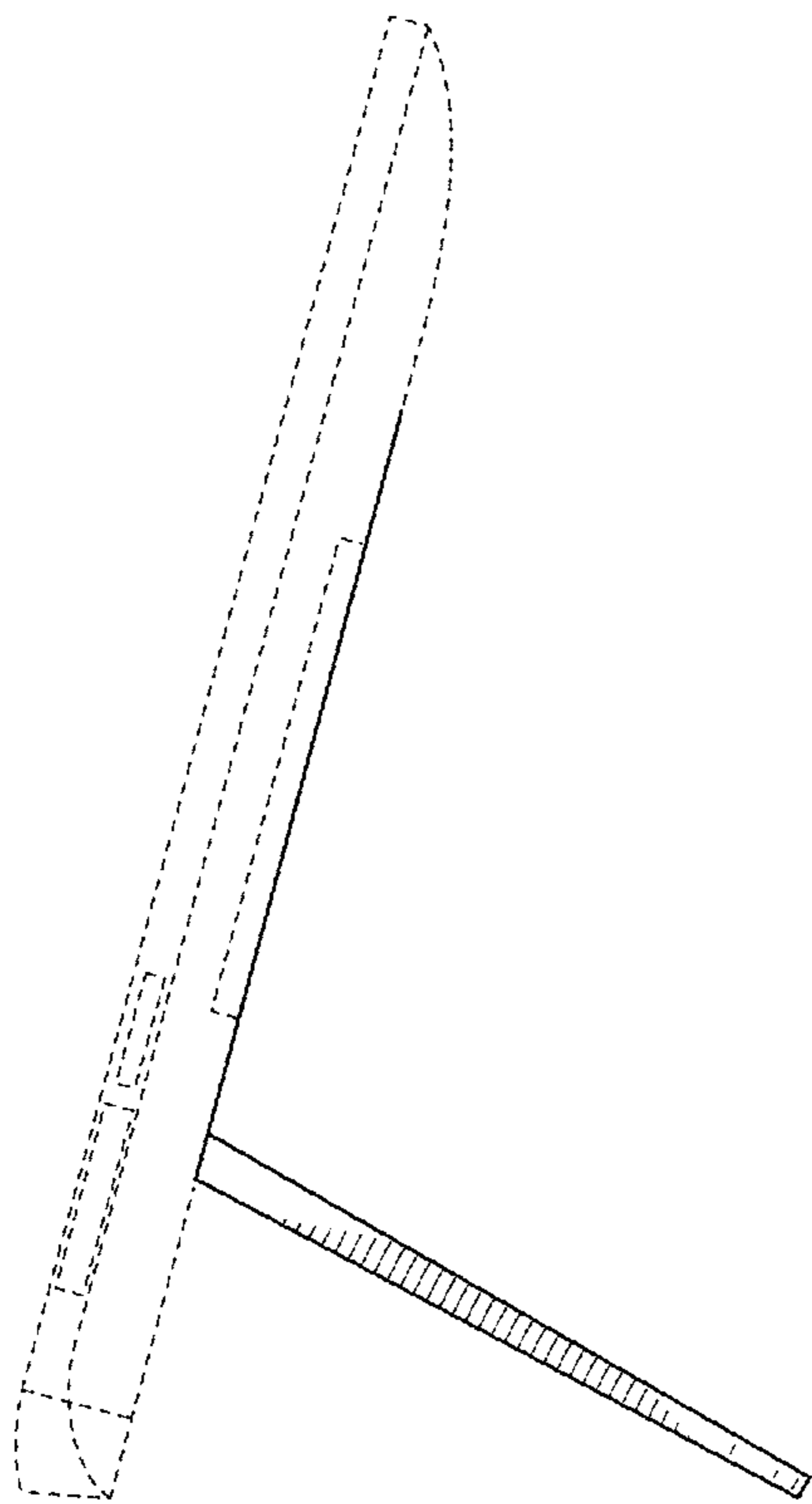


FIG. 5

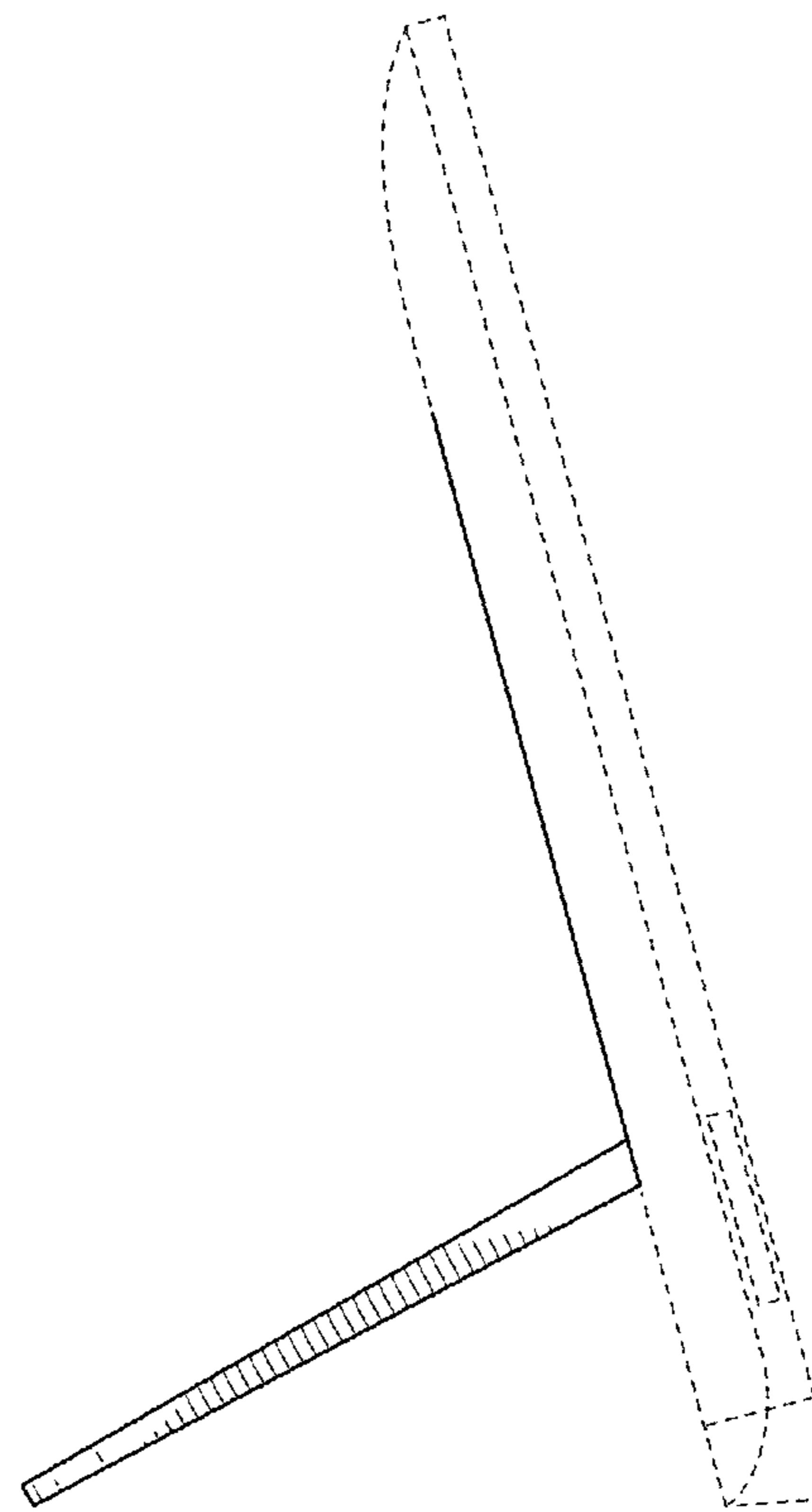


FIG. 6

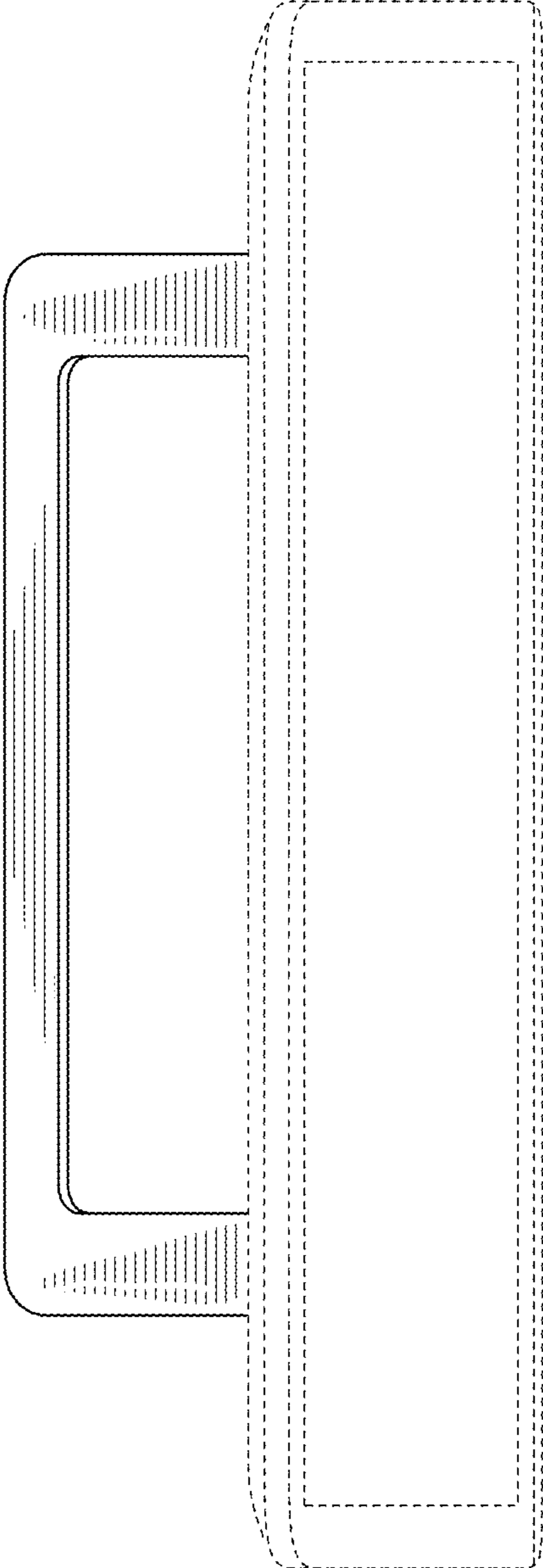


FIG. 7



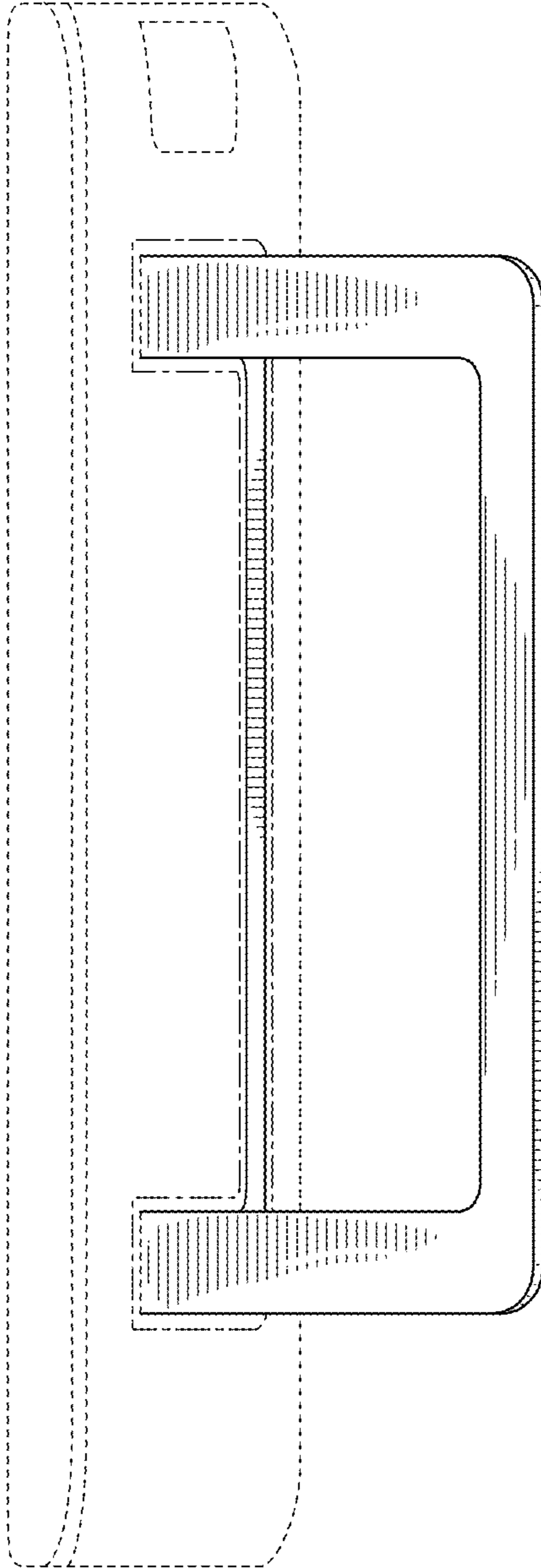
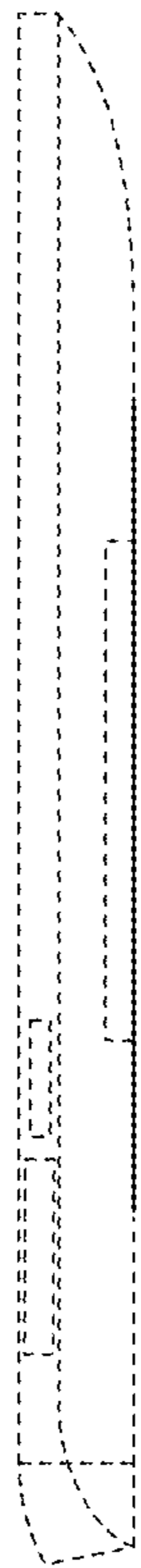


FIG. 8



**FIG. 9**

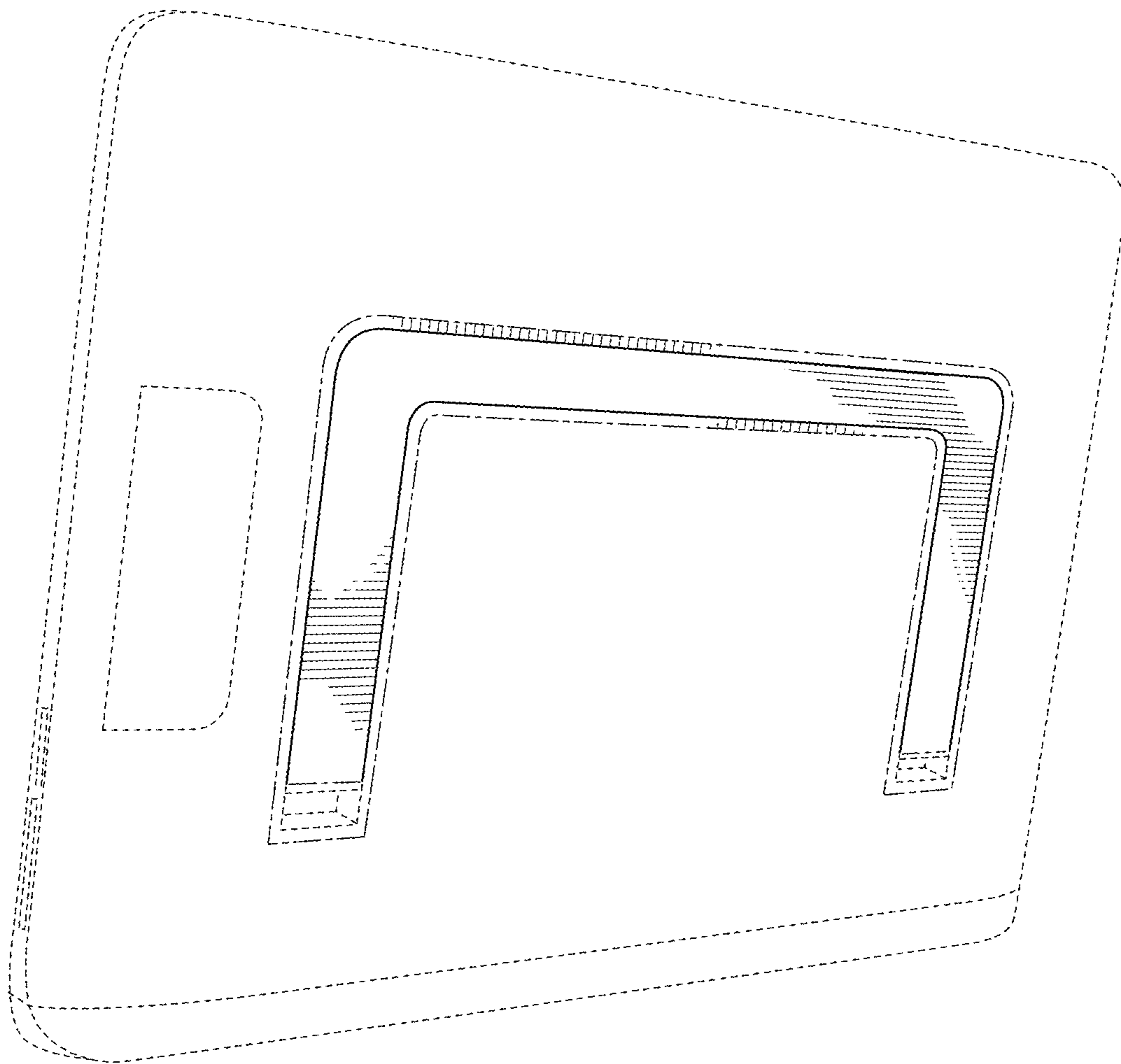


FIG. 10

UNITED STATES PATENT AND TRADEMARK OFFICE  
**CERTIFICATE OF CORRECTION**

PATENT NO. : D820,830 S  
APPLICATION NO. : 29/439821  
DATED : June 19, 2018  
INVENTOR(S) : Peter K. Lee et al.


Page 1 of 1

It is certified that error appears in the above-identified patent and that said Letters Patent is hereby corrected as shown below:

On the Title Page

In item (73), in Column 1, Assignee, Line 1, delete "Hewlett Packard" and insert  
-- Hewlett-Packard --, therefor.

Signed and Sealed this  
Fourth Day of December, 2018



Andrei Iancu  
*Director of the United States Patent and Trademark Office*