



US00D820828S

(12) **United States Design Patent**
Li et al.

(10) **Patent No.:** **US D820,828 S**
(45) **Date of Patent:** **** Jun. 19, 2018**

(54) **NOTEBOOK COMPUTER**

(71) Applicant: **Acer Incorporated**, New Taipei (TW)
(72) Inventors: **I-Lun Li**, New Taipei (TW); **Kai-Teng Cheng**, New Taipei (TW)
(73) Assignee: **Acer Incorporated**, New Taipei (TW)

(**) Term: **15 Years**
(21) Appl. No.: **29/608,428**
(22) Filed: **Jun. 21, 2017**

(30) **Foreign Application Priority Data**

Mar. 3, 2017 (TW) 106301046

(51) **LOC (11) Cl.** **14-02**
(52) **U.S. Cl.**
USPC **D14/316**

(58) **Field of Classification Search**

USPC D14/315-327; D18/1, 2, 7, 11;
235/145 A, 145 R; 341/22, 23; 345/104,
345/156, 168, 169, 173; 361/679.08,
361/679.09, 679.11, 679.26, 679.27
CPC G06F 1/16; G06F 1/1616; G06F 1/1626;
G06F 1/1632; G06F 1/1613; G06F
1/1601; G06F 1/1618; G06F 1/162; G06F
1/166; G06F 1/1654; G06F 1/1681; G06F
1/1637; G06F 1/1688; G06F 1/1656;
G06F 3/0221; H01R 35/02; H03M 11/00;
G09B 13/04; H03K 17/94; G09G 5/00;
F16M 11/10; H05K 5/00; H05K 5/0226;
H04M 1/0237; E05D 11/0081; E05D
11/82; E05D 3/10; E05D 5/00; E05Y
2900/606; Y10T 16/52; Y10T 16/533;
Y10T 16/547; Y10T 16/5385; Y10T
16/5472; Y10T 16/5476; Y10T 16/54038;
F16G 13/18

See application file for complete search history.

(56) **References Cited**

U.S. PATENT DOCUMENTS

5,255,214 A * 10/1993 Ma F16M 11/10
361/679.06
5,900,848 A * 5/1999 Haneda G06F 1/162
345/1.1
6,665,175 B1 * 12/2003 deBoer G06F 1/162
248/920
6,714,403 B2 * 3/2004 Furuki G06F 3/0221
345/168
D621,827 S * 8/2010 Cheng D14/327

(Continued)

Primary Examiner — Freda S Nunn

(74) *Attorney, Agent, or Firm* — J.C. PATENTS

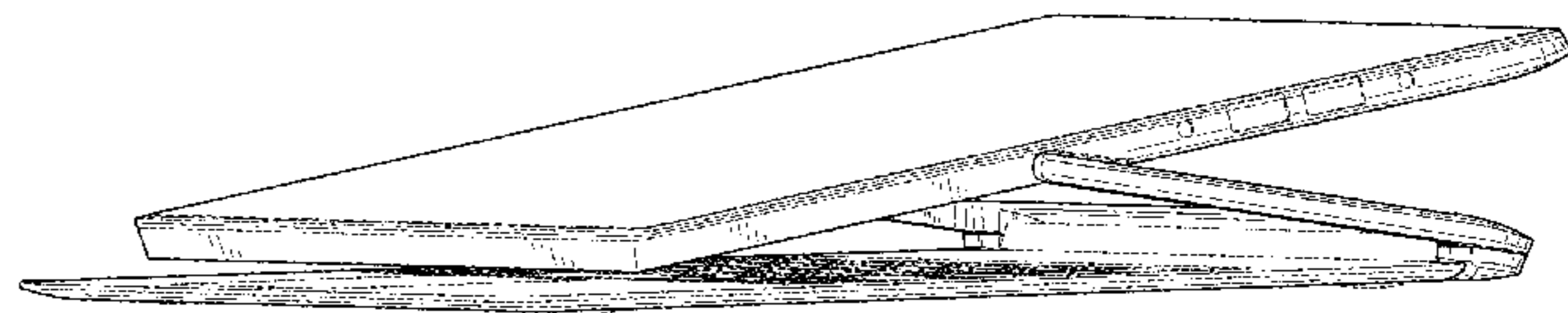
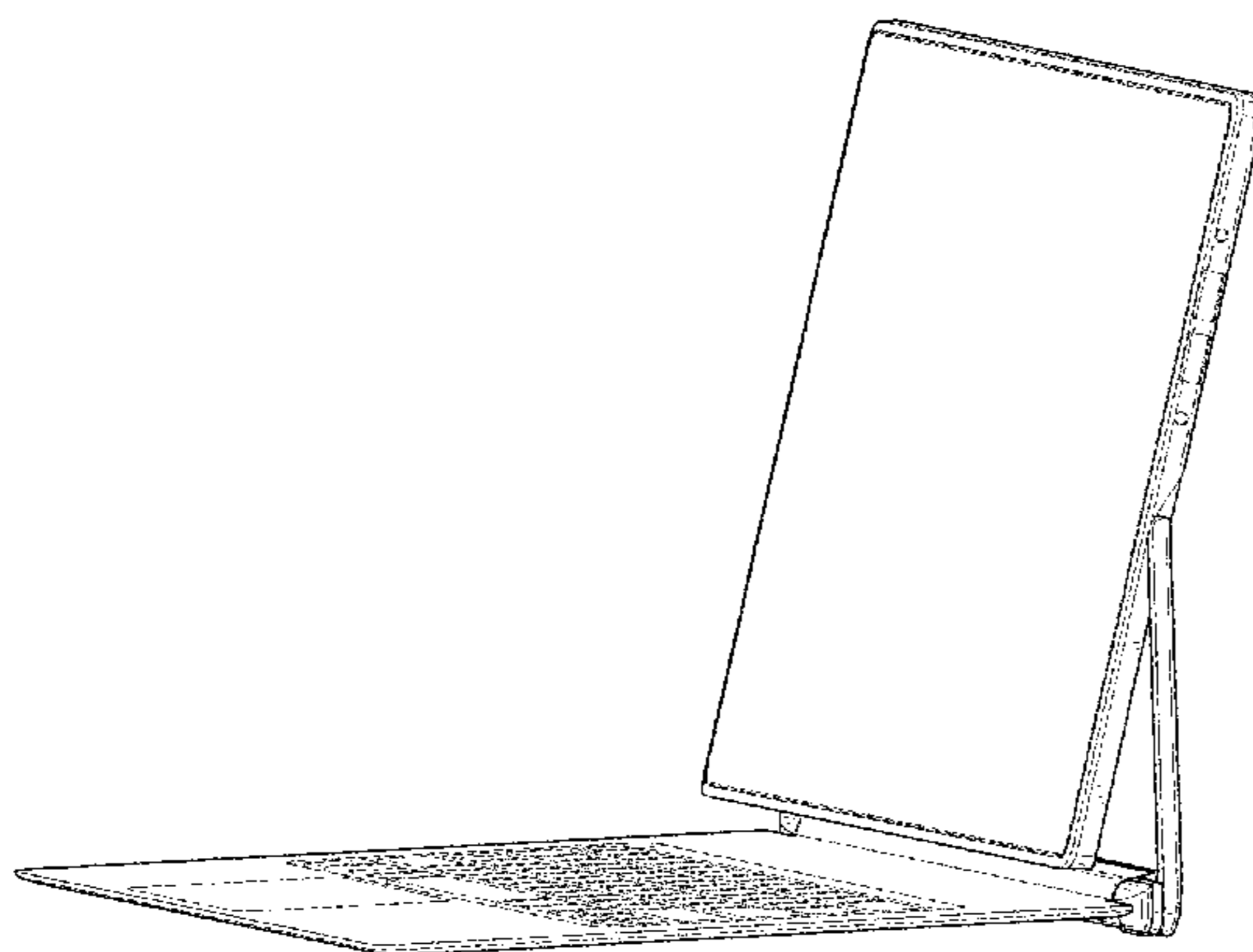
(57) **CLAIM**

The ornamental design for a notebook computer, as shown and described.

DESCRIPTION

FIG. 1 is a perspective view of a notebook computer showing our new design;
FIG. 2 is a front view thereof;
FIG. 3 is a rear view thereof;
FIG. 4 is a left side view thereof;
FIG. 5 is a right side view thereof;
FIG. 6 is a top view thereof;
FIG. 7 is a bottom view thereof;
FIG. 8 is an enlarged view of an indicated portion of FIG. 7;
FIG. 9 is a perspective view thereof in a state that the hinge of notebook computer is rotated by a certain angle;
FIG. 10 is a perspective view thereof in a state that the hinge of notebook computer is rotated by a certain angle; and,
FIG. 11 is a perspective view thereof in a state that the hinge of notebook computer is rotated by a certain angle.

(Continued)



The broken line portions of the notebook computer represent unclaimed portions of the claimed design and form no part thereof.

1 Claim, 9 Drawing Sheets

(56) **References Cited**

U.S. PATENT DOCUMENTS

D691,603	S	*	10/2013	Leonard	D14/316
D707,222	S	*	6/2014	Lee	D14/315
D712,896	S	*	9/2014	Lee	D14/316
2005/0063145	A1	*	3/2005	Homer	G06F 1/162 361/679.27
2010/0232100	A1	*	9/2010	Fukuma	F16G 13/18 361/679.01

* cited by examiner

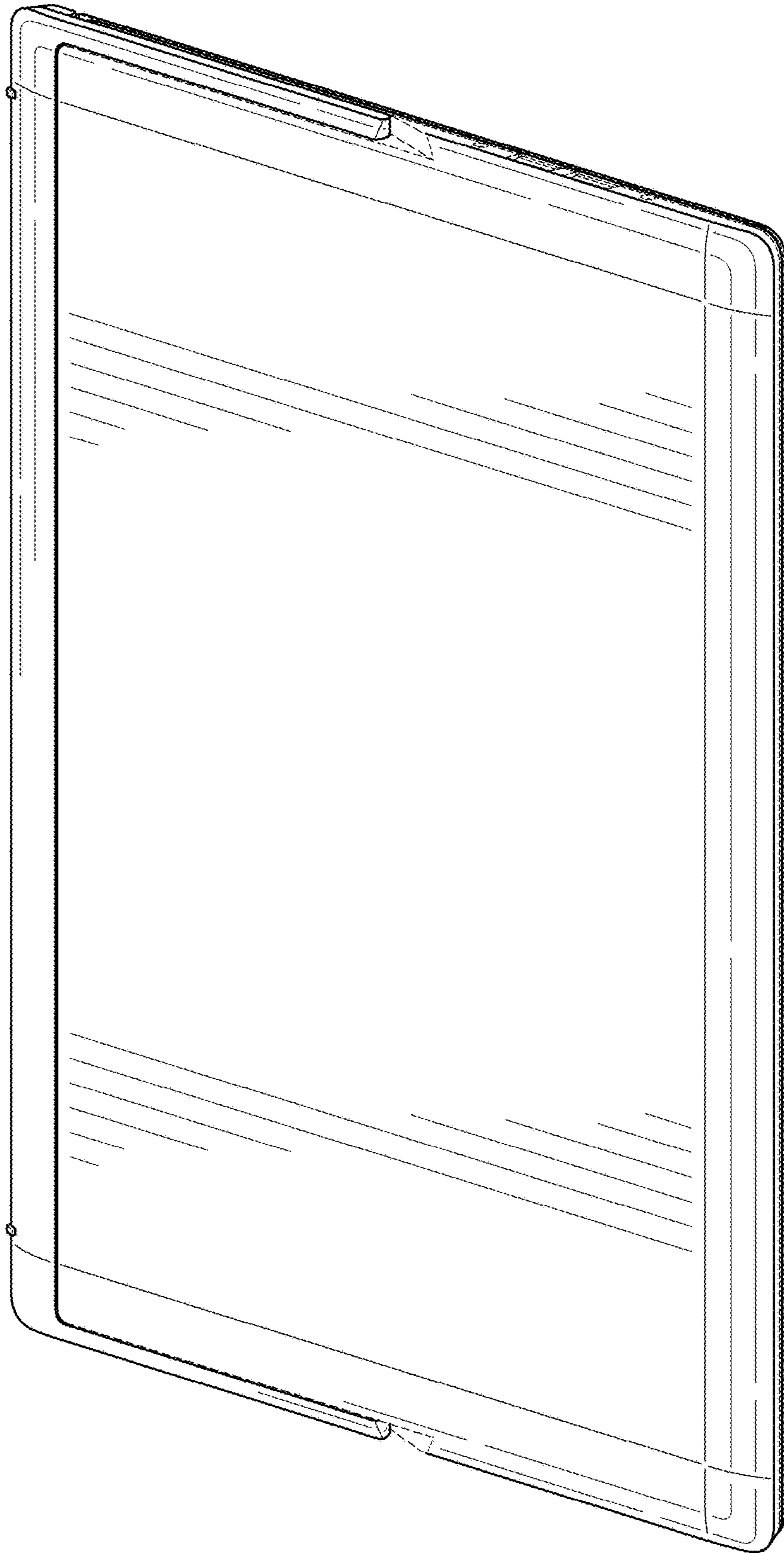


FIG. 1

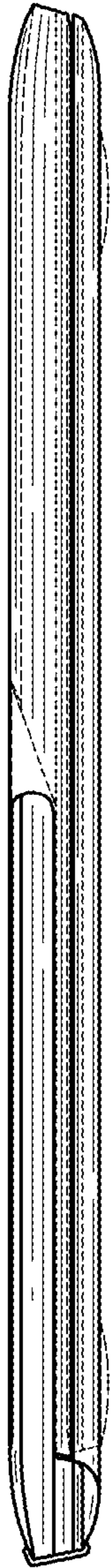


FIG. 2

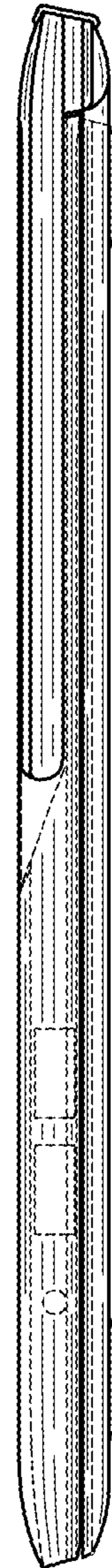


FIG. 3

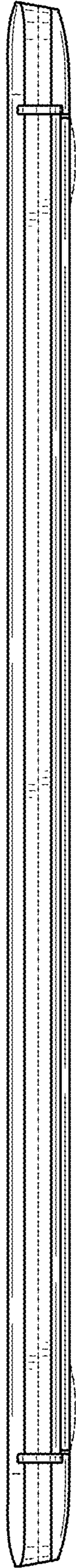


FIG. 4

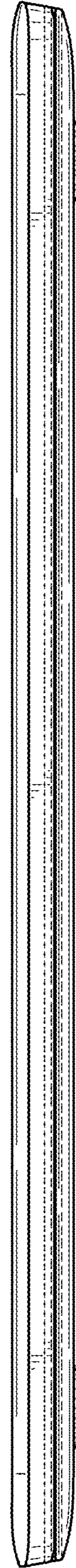


FIG. 5

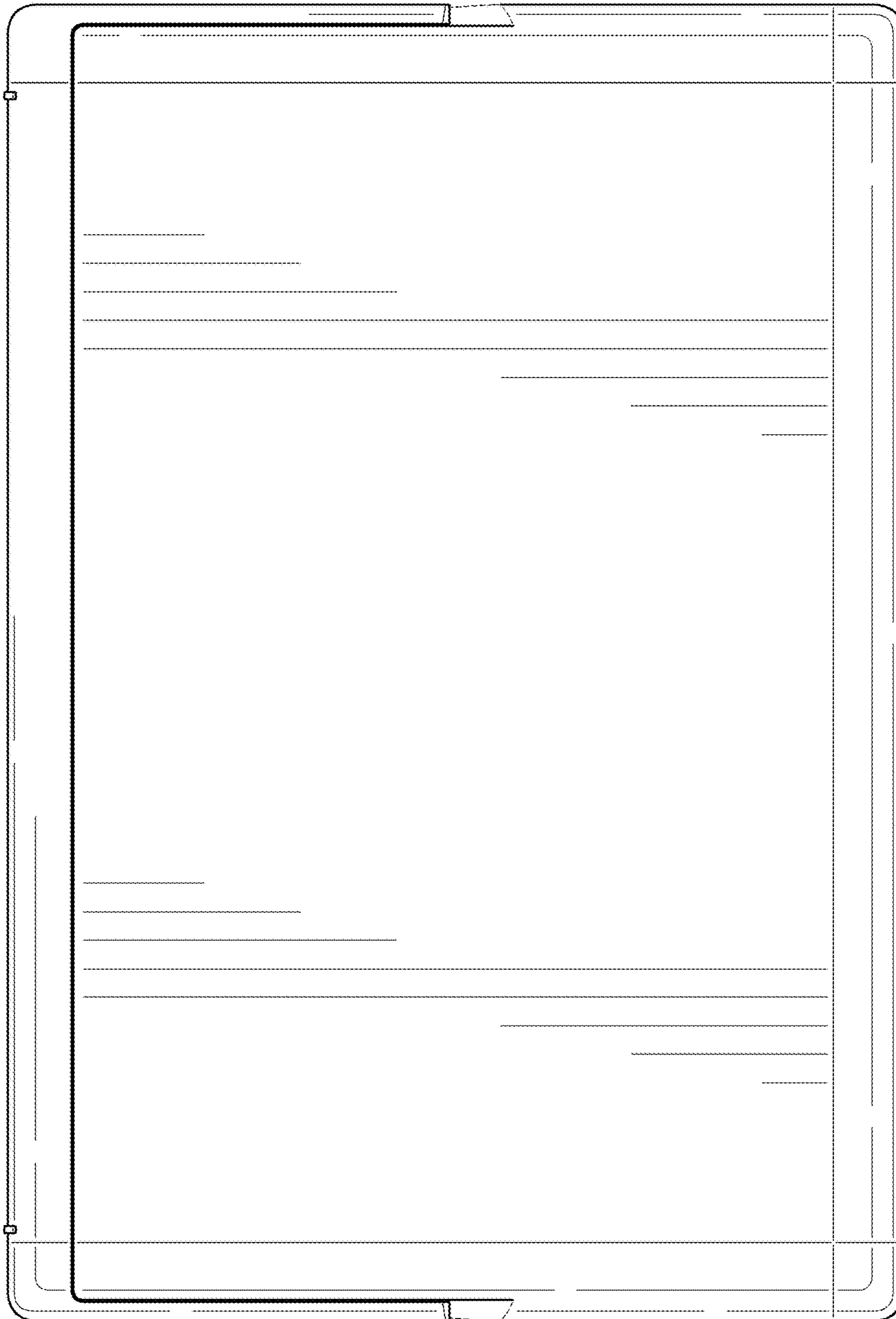


FIG. 6

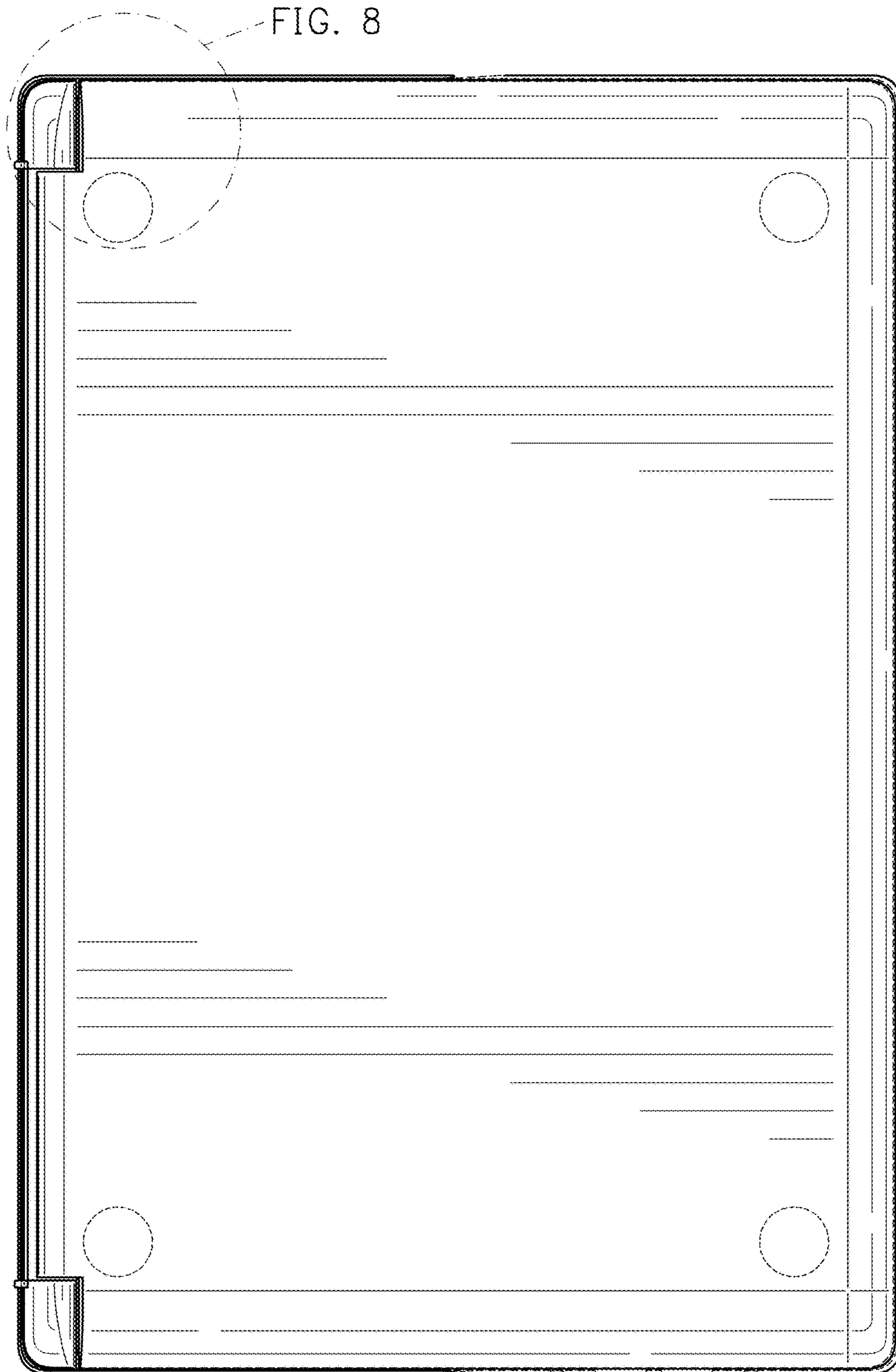


FIG. 7

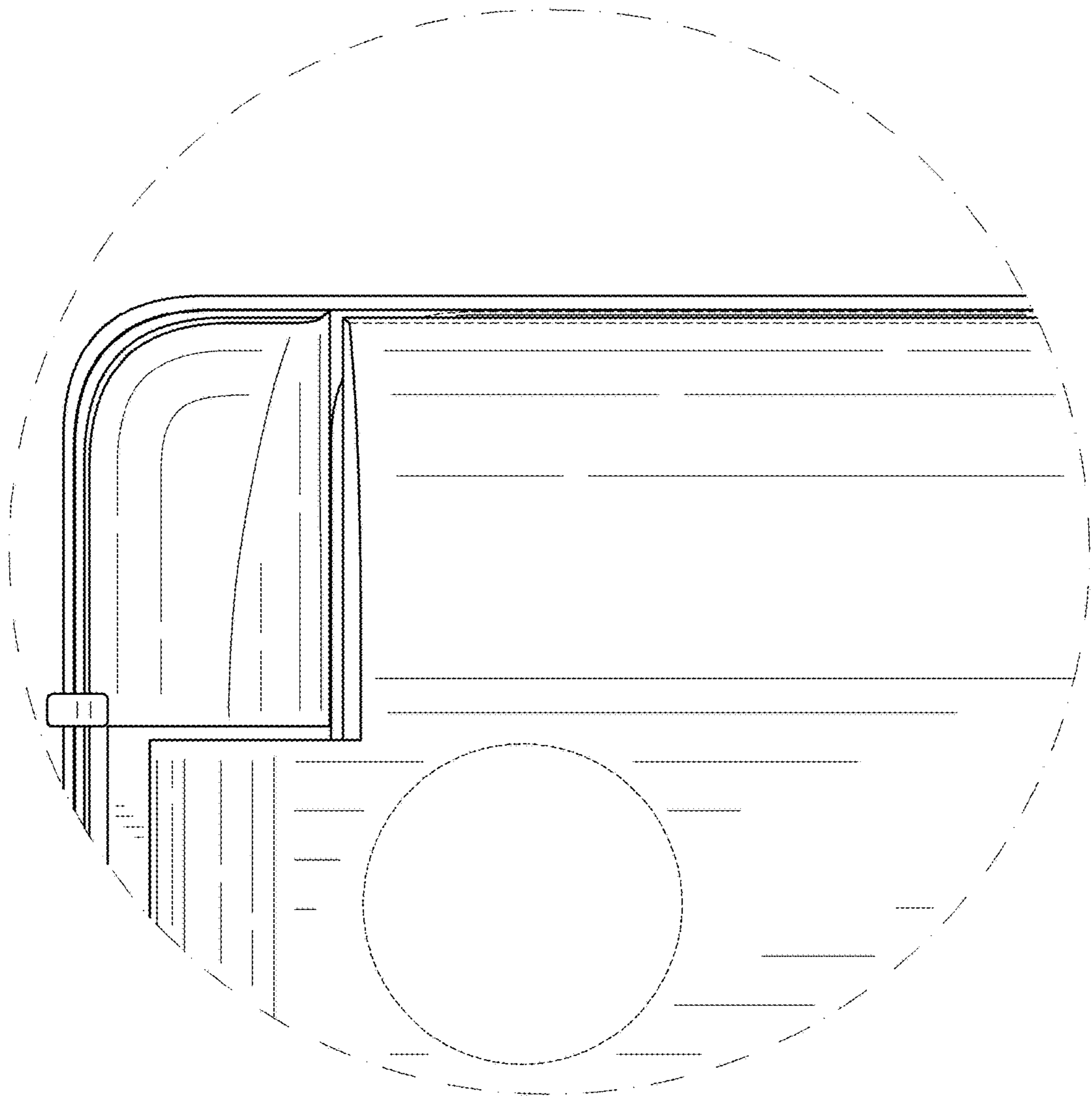


FIG. 8

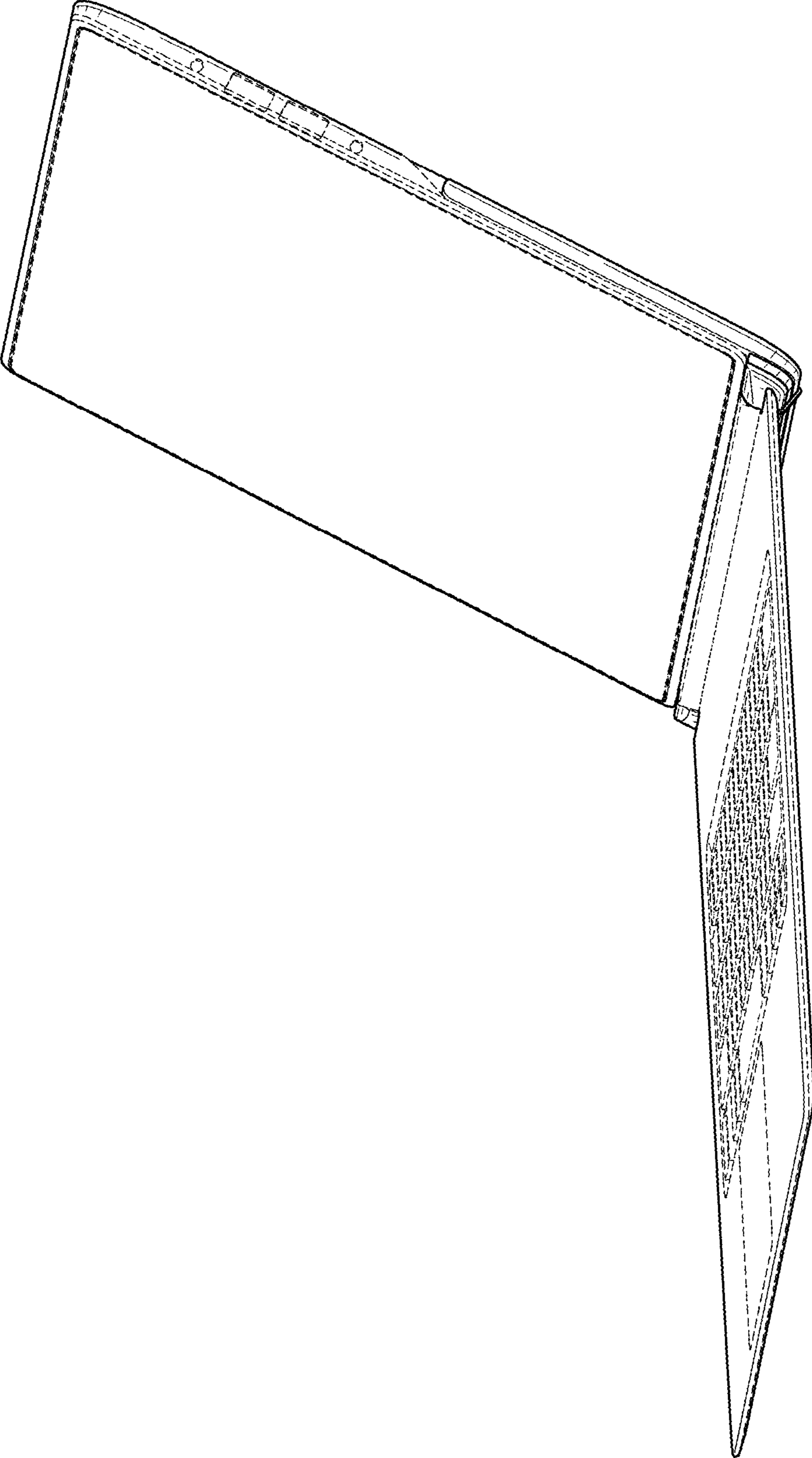


FIG. 9

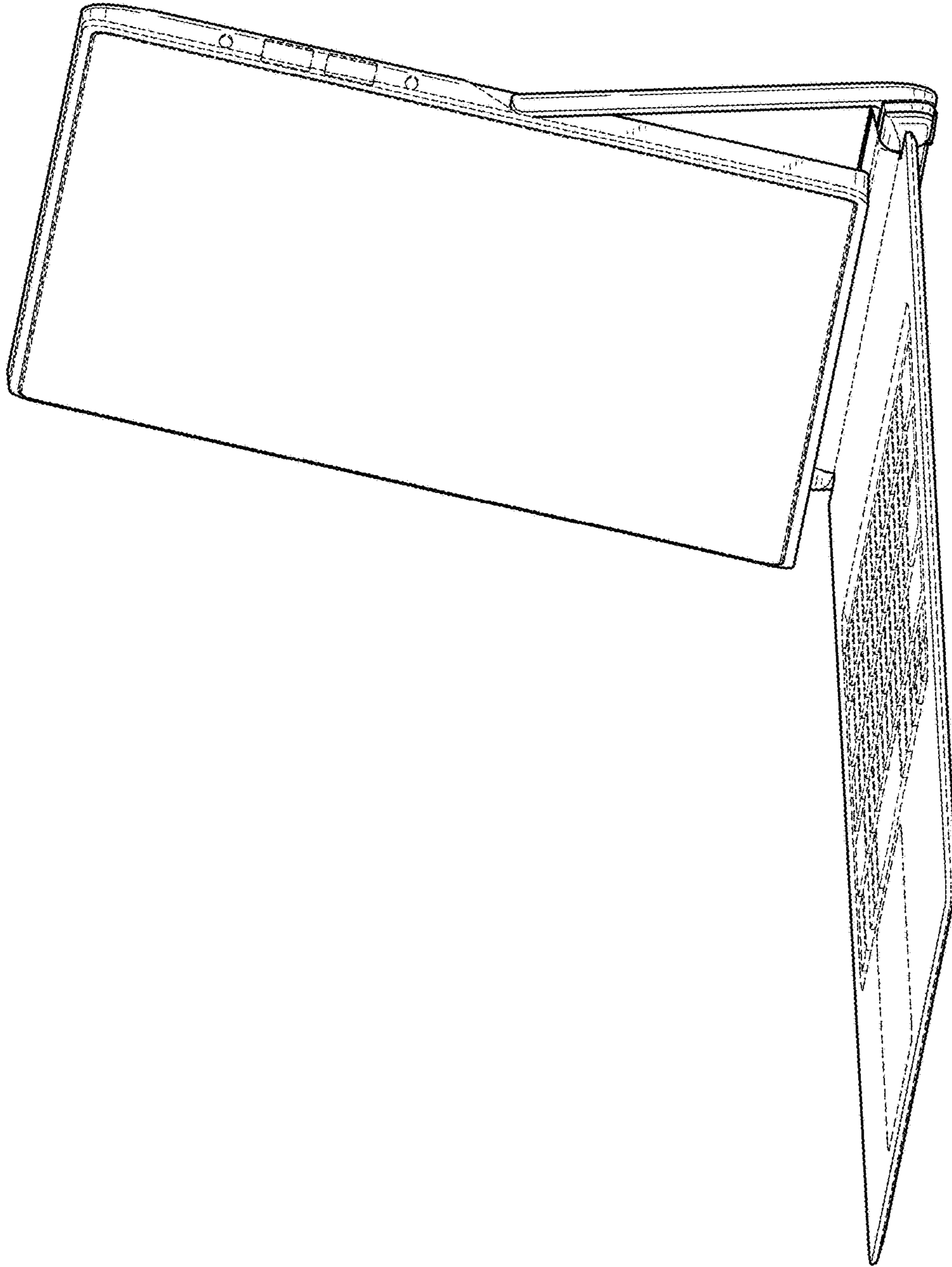


FIG. 10

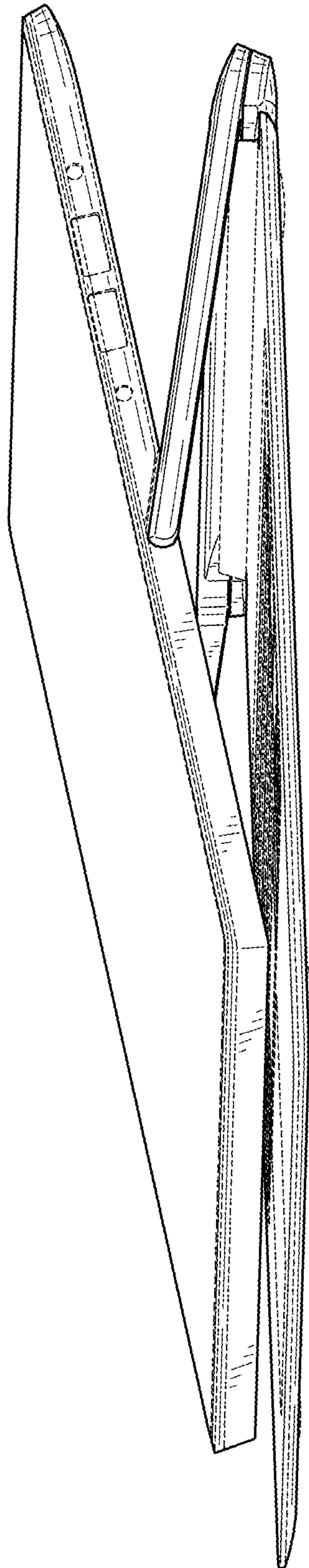


FIG. 11