



US00D820823S

(12) **United States Design Patent**
Ahn

(10) **Patent No.:** **US D820,823 S**
(45) **Date of Patent:** **** Jun. 19, 2018**

- (54) **MAGNETIC MOUNT FOR ELECTRONIC DEVICE**
- (71) Applicant: **Deok Hyun Ahn**, Seoul (KR)
- (72) Inventor: **Deok Hyun Ahn**, Seoul (KR)
- (73) Assignee: **SPIGEN KOREA CO., LTD.**,
Bongeunsa-ro, Gangnam-gu, Seoul (KR)

(**) Term: **15 Years**

(21) Appl. No.: **29/585,030**

(22) Filed: **Nov. 18, 2016**

(51) **LOC (11) Cl.** **14-03**

(52) **U.S. Cl.**
USPC **D14/253**; D13/183

(58) **Field of Classification Search**
USPC D6/522, 567; D8/382; D12/415;
D13/183, 199; D14/253; D15/199
CPC H01F 7/126; H01F 7/08; H01F 7/0247;
H01F 7/0252; H01F 38/14; F16M 13/022;
F16B 2/005; F16B 2001/0035; F16C
11/0604; F16C 11/0623; F16C 2226/18;
G01D 11/30; G03B 17/561; Y10T
29/49828

See application file for complete search history.

(56) **References Cited**

U.S. PATENT DOCUMENTS

- D371,735 S 7/1996 Motta
- D376,308 S 12/1996 Lee
- D381,571 S 7/1997 Wu
- D393,098 S 3/1998 Adams
- D520,041 S * 5/2006 Wheat D13/184
- D561,345 S 2/2008 Flick
- D565,937 S 4/2008 Tsai
- D578,868 S 10/2008 Ramakers et al.
- D657,795 S 4/2012 Smith et al.
- D683,509 S 5/2013 Tseng
- D690,707 S 10/2013 Minn et al.

- D693,818 S 11/2013 Webber
- D696,673 S 12/2013 Vogel
- D701,112 S * 3/2014 Ukai D8/382
- D701,450 S * 3/2014 Ukai D8/382
- D704,199 S 5/2014 Byun
- D709,940 S 7/2014 Raccah et al.
- D719,959 S 12/2014 Vogel

(Continued)

OTHER PUBLICATIONS

Magnetic Car Mount Spigen Kuel QS11, posted at Amazon.com, posted on Jun. 7, 2017, [online], [site visited Aug. 9, 2017]. Available from Internet, <<https://www.amazon.com/Magnetic-Spigen-Holder-Compatible-iPhone/dp/B01M118N5F>>.*

(Continued)

Primary Examiner — Mary Ann Calabrese

Assistant Examiner — Catherine Ho

(74) *Attorney, Agent, or Firm* — Heedong Chae; Lucem, PC

(57) **CLAIM**

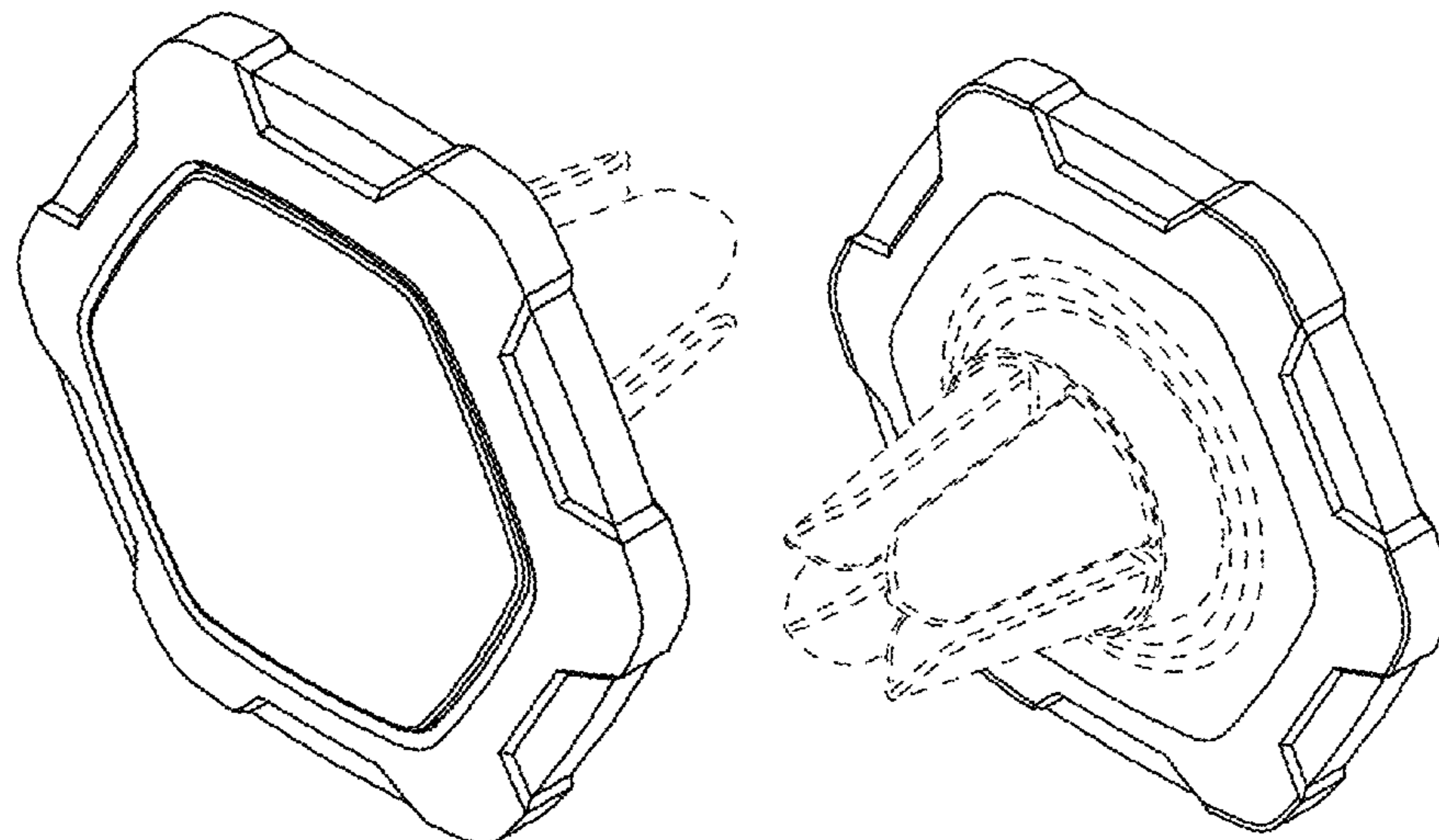
The ornamental design for a magnetic mount for an electronic device.

DESCRIPTION

FIG. 1 is a front perspective view of a magnetic mount for an electronic device, showing my new design; FIG. 2 is a rear perspective view thereof; FIG. 3 is another front perspective view thereof; FIG. 4 is a front elevational view thereof; FIG. 5 is a rear elevational view thereof; FIG. 6 is a left side elevational view thereof; FIG. 7 is a right side elevational view thereof; FIG. 8 is a top plan view thereof; and, FIG. 9 is a bottom plan view thereof.

The broken lines illustrate portions of the magnetic mount for an electronic device that form no part of the claimed design.

1 Claim, 9 Drawing Sheets



(56)

References Cited

U.S. PATENT DOCUMENTS

D726,365	S	4/2015	Weigensberg	
D735,210	S	7/2015	Kim et al.	
D748,639	S	2/2016	Khodapanah et al.	
D750,633	S	3/2016	Minn et al.	
D757,705	S	5/2016	Esses	
D769,859	S *	10/2016	Herbst	D14/253
D778,714	S *	2/2017	McSweyn	D12/415
D780,168	S	2/2017	Du	
D781,773	S *	3/2017	Kim	D12/415
D782,462	S *	3/2017	Huang	D14/253
D783,592	S	4/2017	Ju	
D783,593	S	4/2017	Chen	
D786,955	S	5/2017	Taylor et al.	
D789,920	S	6/2017	Zhang	
D790,435	S *	6/2017	Du	D12/415
D790,960	S *	7/2017	McSweyn	D12/415
2016/0259374	A1 *	9/2016	Breiwa	H02J 50/10
2016/0325693	A1 *	11/2016	Kim	B60R 11/02

OTHER PUBLICATIONS

Spinido, posted at Amazon.com, posted on Sep. 21, 2015, [online], [site visited Aug. 9, 2017]. Available from Internet, <https://www.amazon.com/Spinido-Smallest-Magnetic-Smartphones-Square-Gray/dp/B0141X30VU/ref=cm_cr_ar_p_d_product_top?ie=UTF8>.*

WizGear, posted at Amazon.com, posted on Dec. 23, 2016, [online], [site visited Aug. 9, 2017]. Available from Internet, <<https://www.amazon.com/WizGear-Universal-Magnetic-Swift-Snap-Technology/product-reviews/B01NACB36Z>>.*

Car Mount for iPhone 7, posted at Amazon.com, posted on Dec. 29, 2016, [online], [site visited Aug. 9, 2017]. Available from Internet, <<https://www.amazon.com/MerryNine-Magnetic-Universal-Smartphones-including/product-reviews/B01N4D3E03>>.*

“AUKEY Car Mount Air Vent Magnetic Cell Phone Holder for Iphone 7.6s. plus, samsung and other android, windows smart phones,”https://www.amazon.com/Magnetic%2%ADSamsung%2%ADAndroid%2%ADWindows%2%ADSmartphones/dp/B00WU3W43G/ref=sr_1_14?ie=1479431107&sr328%2%AD14&keyword%E2%80%A6%00%00, Downloaded Nov. 18, 2016, 8Page.

“Car Phone Mount, Anker air Vent Magnetic Universal Phone Holder for iPhone 7/7 plus/6s/6/Se, Samsung Galaxy, LG G5, Nexus, Moto, HTC, Sony and Other Smaftphones,”https://www.amazon.com/Anker%2%ADMagnetic%2%ADUniversal%2%ADSamsung%2%ADSmartphones/dp/B01EMV5X86/ref=sr_1_51?ie=UTF8&qid=1479431159&keywords=%E2%80%A6, Downloaded Nov. 18, 2016, 8Page.

“Spigen A201 Car Mount Premium Magnetic air Vent Phone Holder for iPhone 7/7 Plus/6S/6S Plus/ Galaxy S7/Galaxy S7 Edge/LG/HTC/Nexus,”https://www.amazon.com/Spigen%2%ADPremium%2%ADMagnetic%2%ADHolder%2%AdiPhone/dp/B01AmGFY5M/ref=sr_1_38?ie=UTF8&qid=1479431139&sr=8%2%AD38&keywords=air+ven%E2%80%A6, Downloaded Nov. 18, 2016, 9Page.

OMA, “#1 Magnetic Car Air Vent Phone Mount Smartphone Stand”, <http://www.omalovesu.com/2015/05/1-magnetic-car-air-vent-phone-mount.html>, published May 24, 2015, 7 pages.

* cited by examiner

FIG. 1

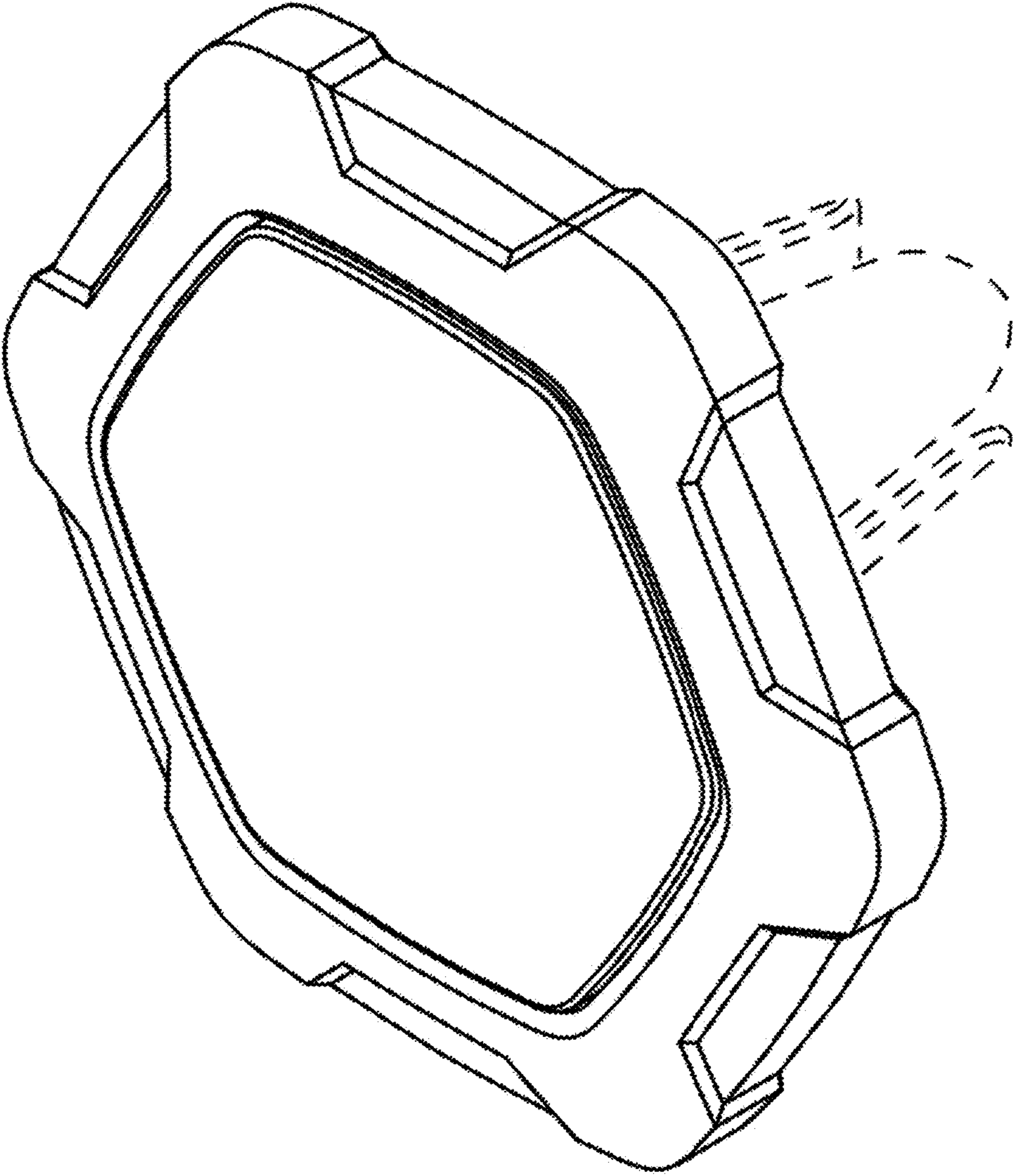


FIG. 2

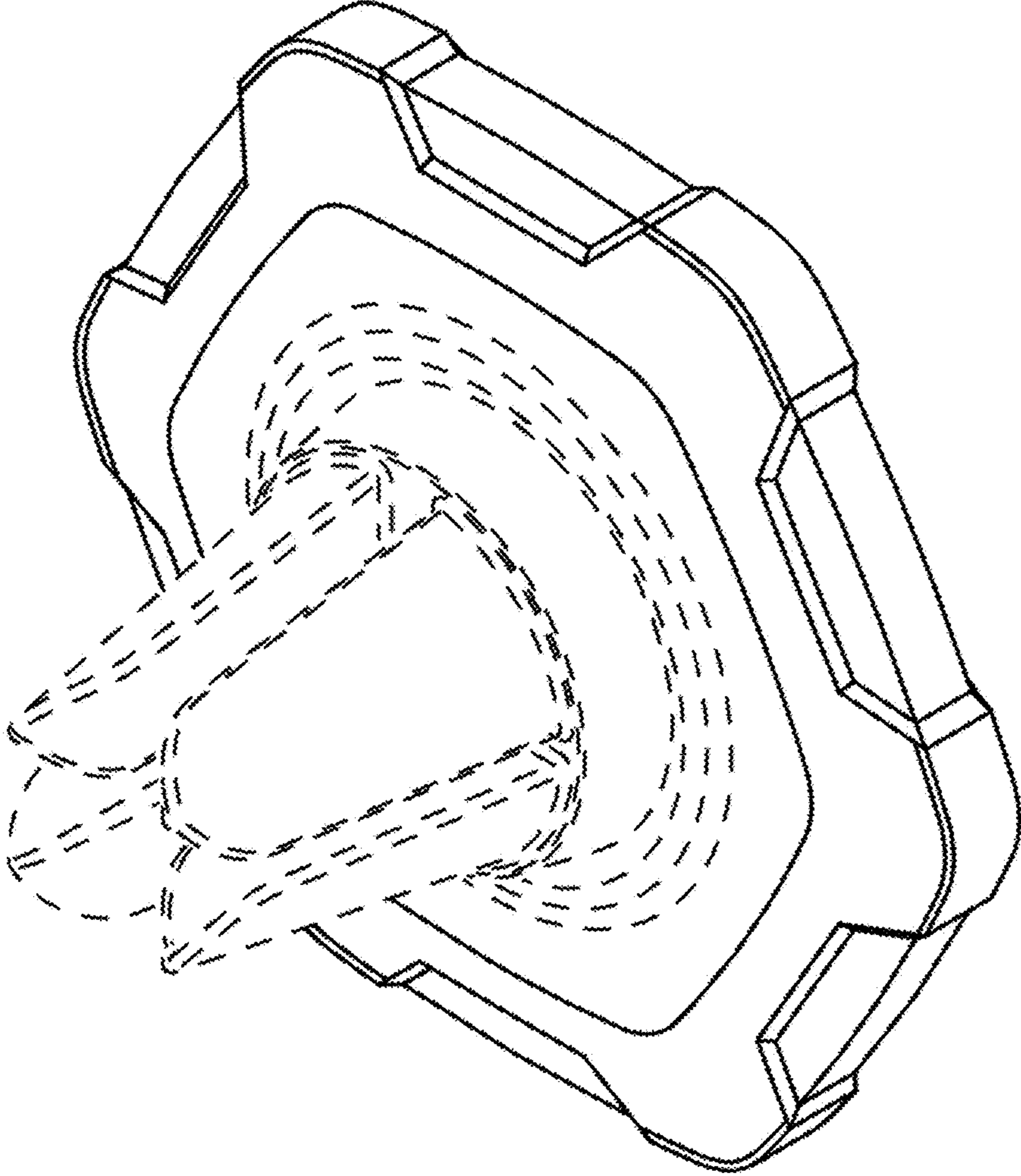


FIG. 3

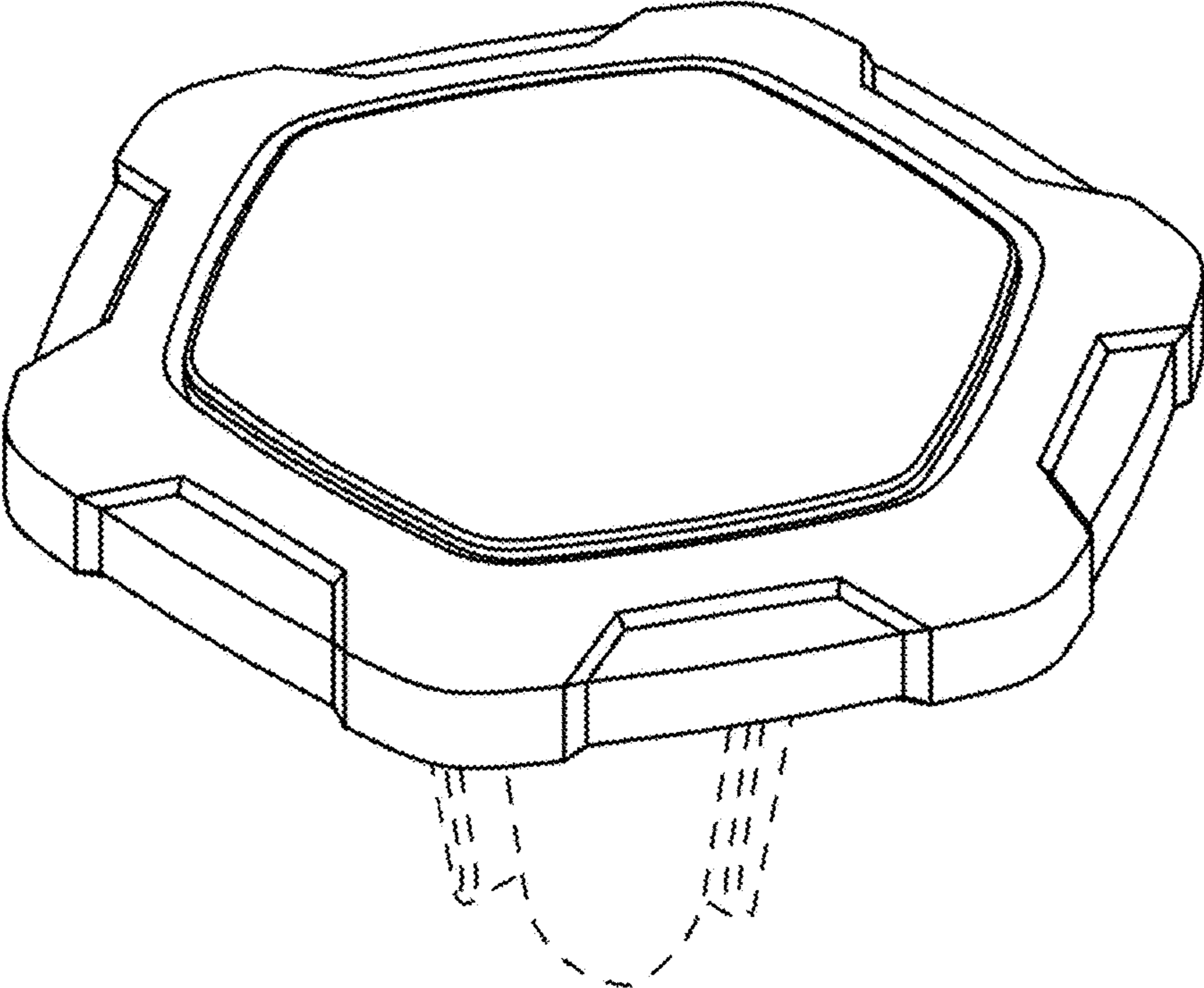


FIG. 4

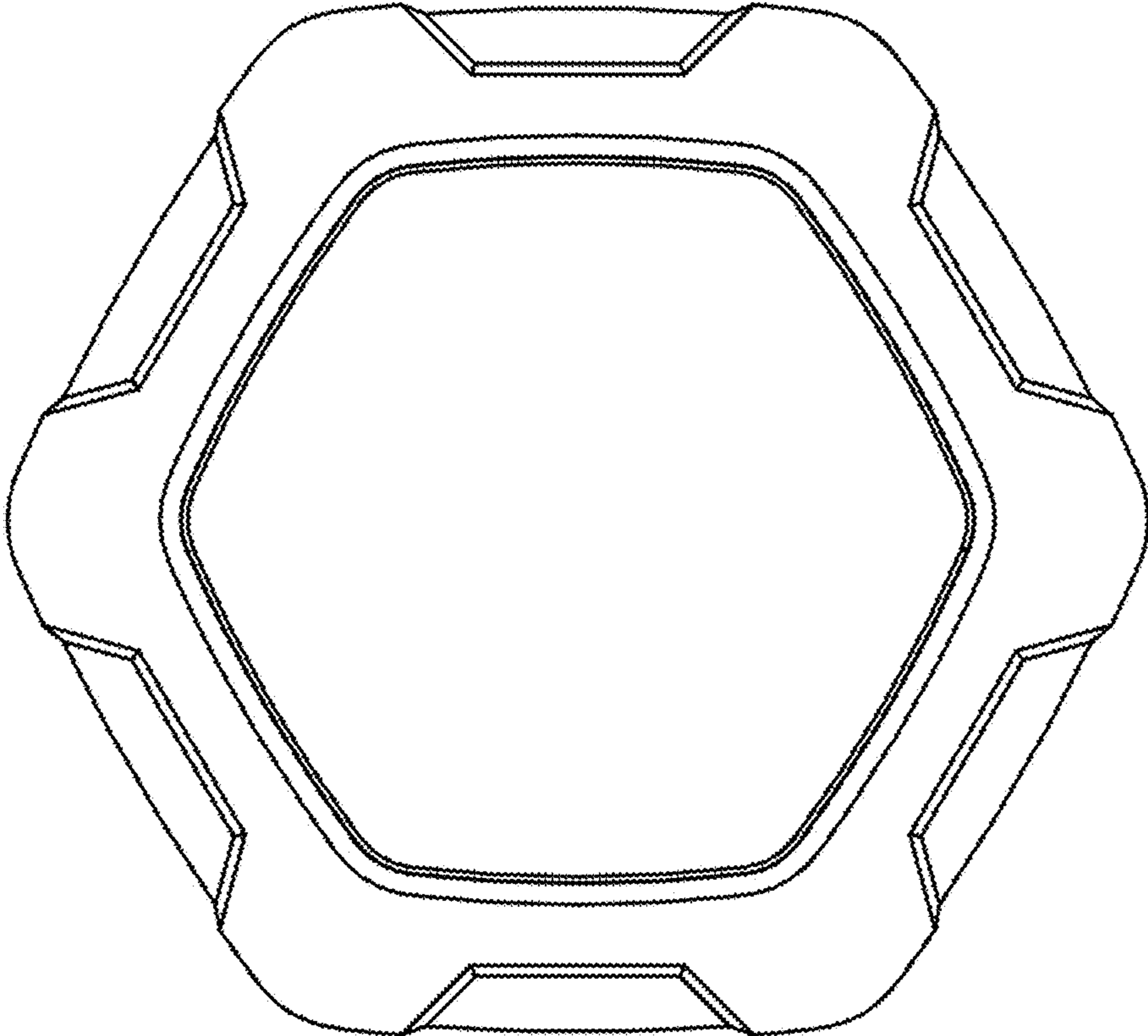


FIG. 5

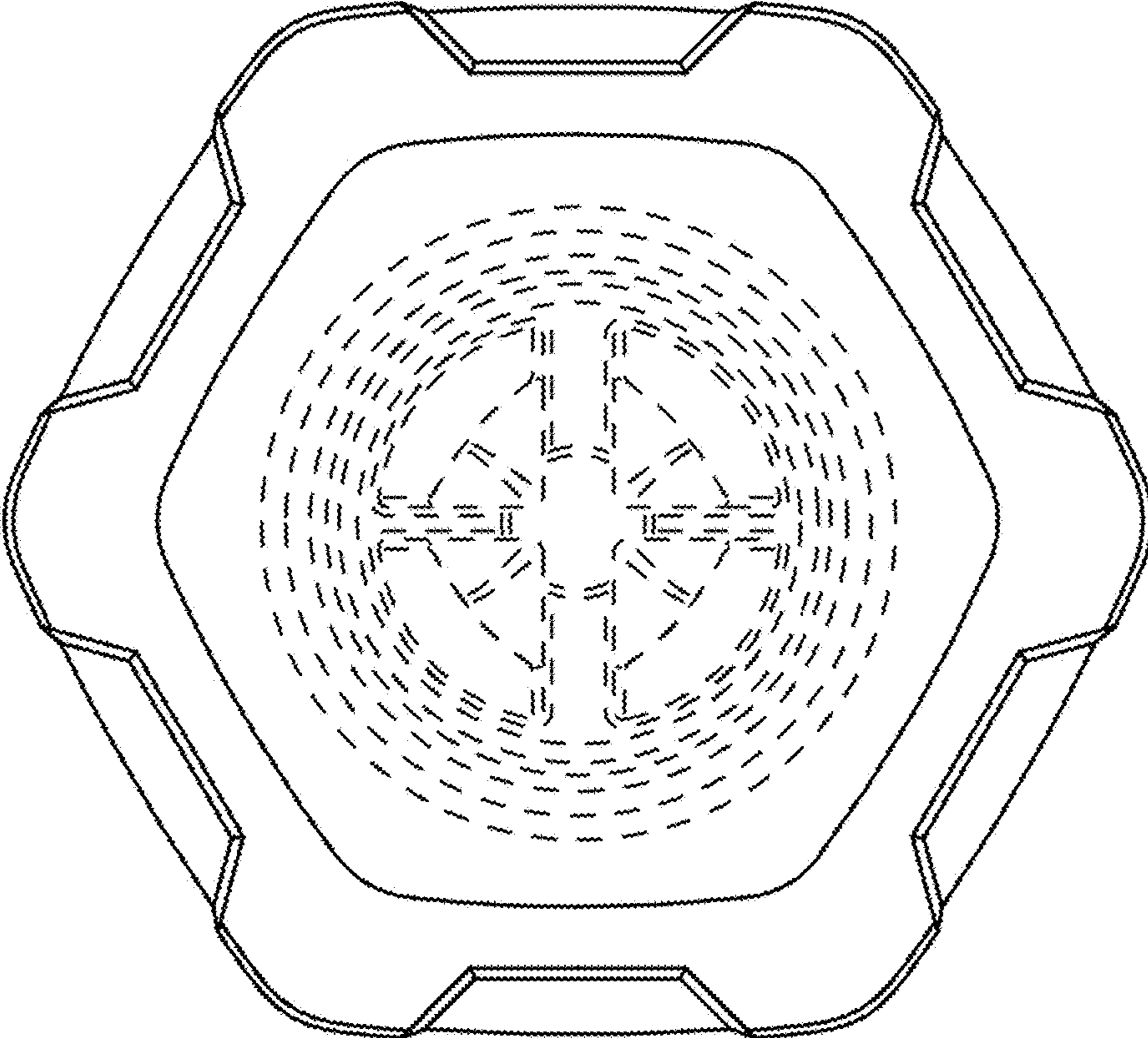


FIG. 6

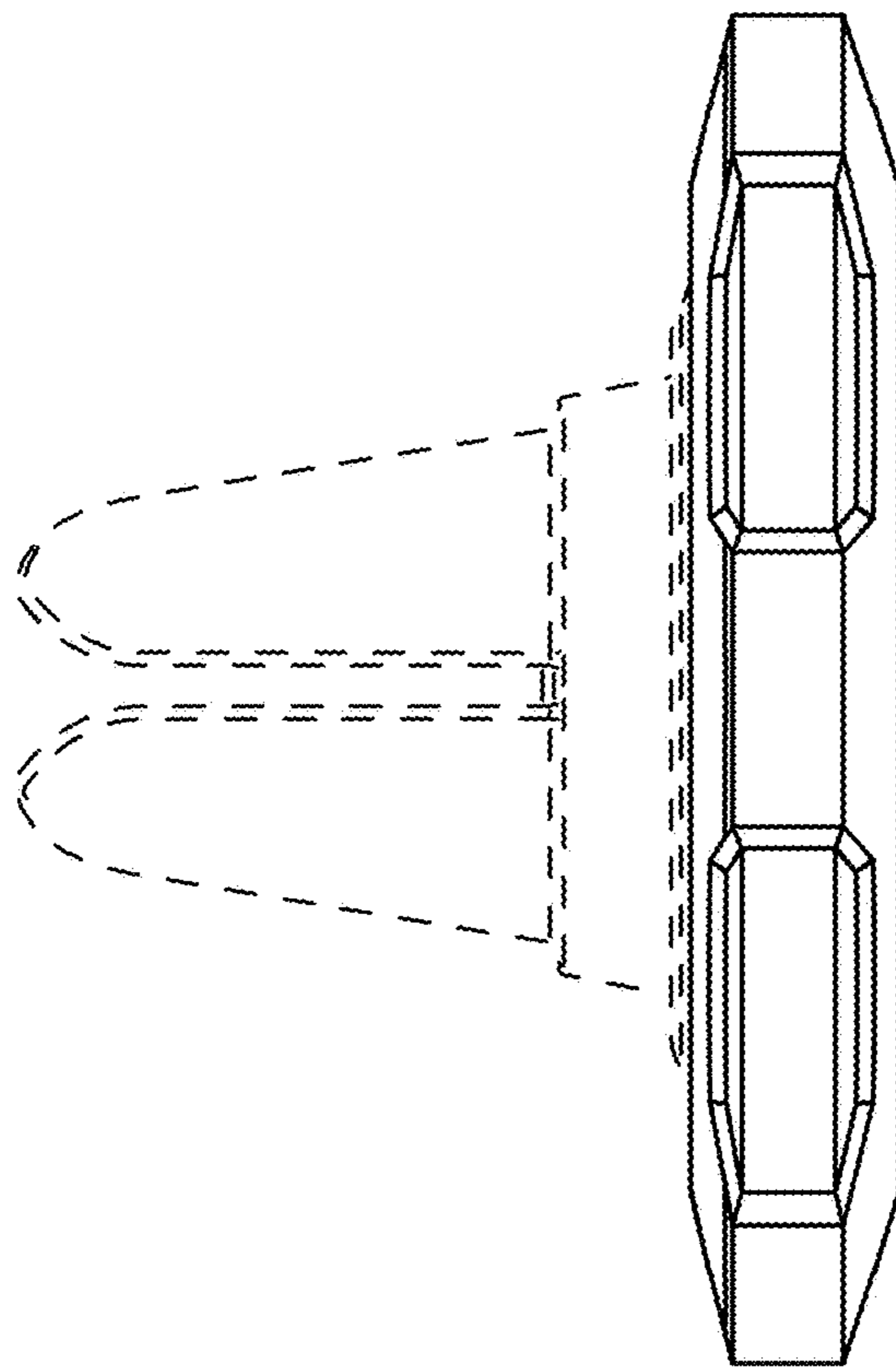


FIG. 7

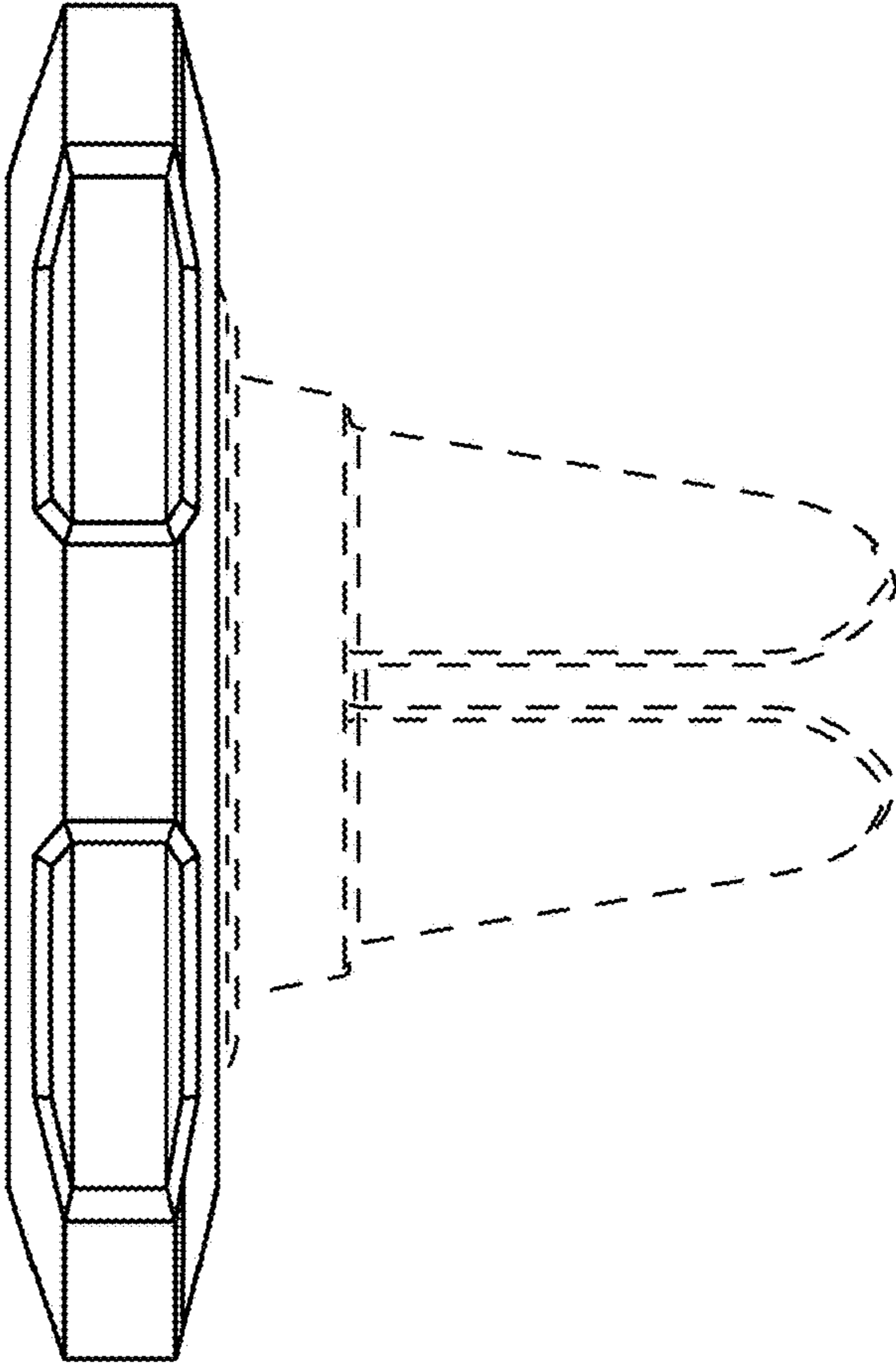


FIG. 8

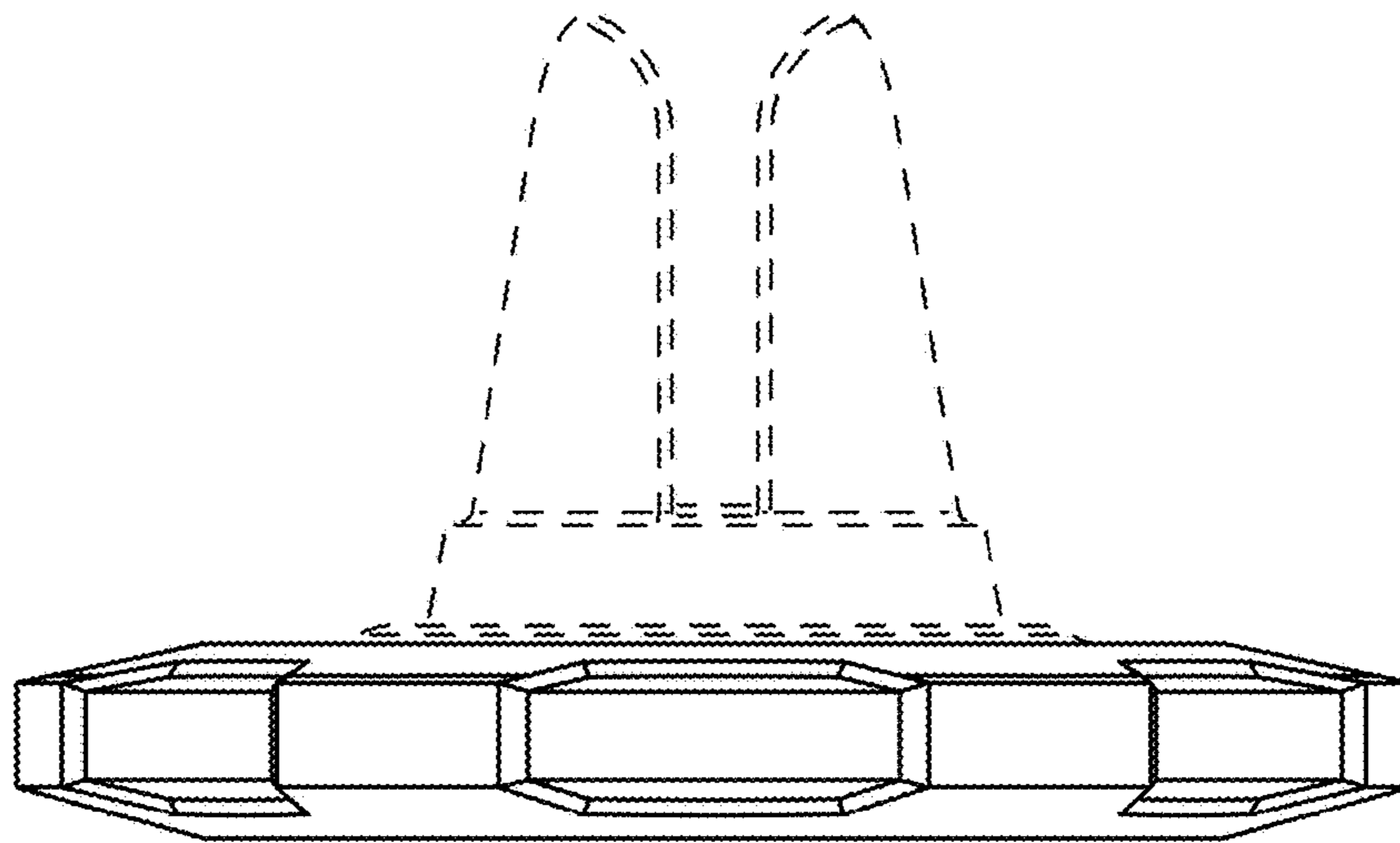


FIG. 9

