



US00D820822S

(12) **United States Design Patent**
Wright et al.

(10) **Patent No.:** **US D820,822 S**
(45) **Date of Patent:** **** *Jun. 19, 2018**

- (54) **PHONE CASE**
- (71) Applicant: **CATALYST LIFESTYLE LIMITED**,
North Point (HK)
- (72) Inventors: **Joshua Wright**, Hong Kong (CN);
June Lai, Hong Kong (CN)
- (73) Assignee: **Catalyst Lifestyle Limited**, North
Point, Hong Kong (CN)
- (*) Notice: This patent is subject to a terminal dis-
claimer.
- (**) Term: **15 Years**

- D657,354 S 4/2012 Kim
 - D659,691 S 5/2012 Kim et al.
 - 8,208,980 B2 6/2012 Wong et al.
 - D670,280 S * 11/2012 Rayner D14/250
 - D671,932 S 12/2012 Azoulay
- (Continued)

Primary Examiner — Carla J Wright
(74) *Attorney, Agent, or Firm* — Dinsmore & Shohl LLP

- (21) Appl. No.: **29/609,967**
- (22) Filed: **Jul. 7, 2017**
- (51) **LOC (11) Cl.** **14-03**
- (52) **U.S. Cl.**
USPC **D14/250**
- (58) **Field of Classification Search**
USPC D14/248, 439, 203.3–203.7, 217, 240,
D14/447, 251–253, 238.1, 440, 250;
D3/201, 218, 247, 269, 273, 301, 303;
D13/103, 107–108, 119
CPC H04B 1/3888; H04M 1/0283; H04M
1/0202; A45C 1/06; A45C 2011/002;
A45C 11/00; A45C 13/02; A45F
2005/026; A45F 2200/0525; A45F
2200/0516
See application file for complete search history.

(57) **CLAIM**
The ornamental design for a phone case, as shown and
described.

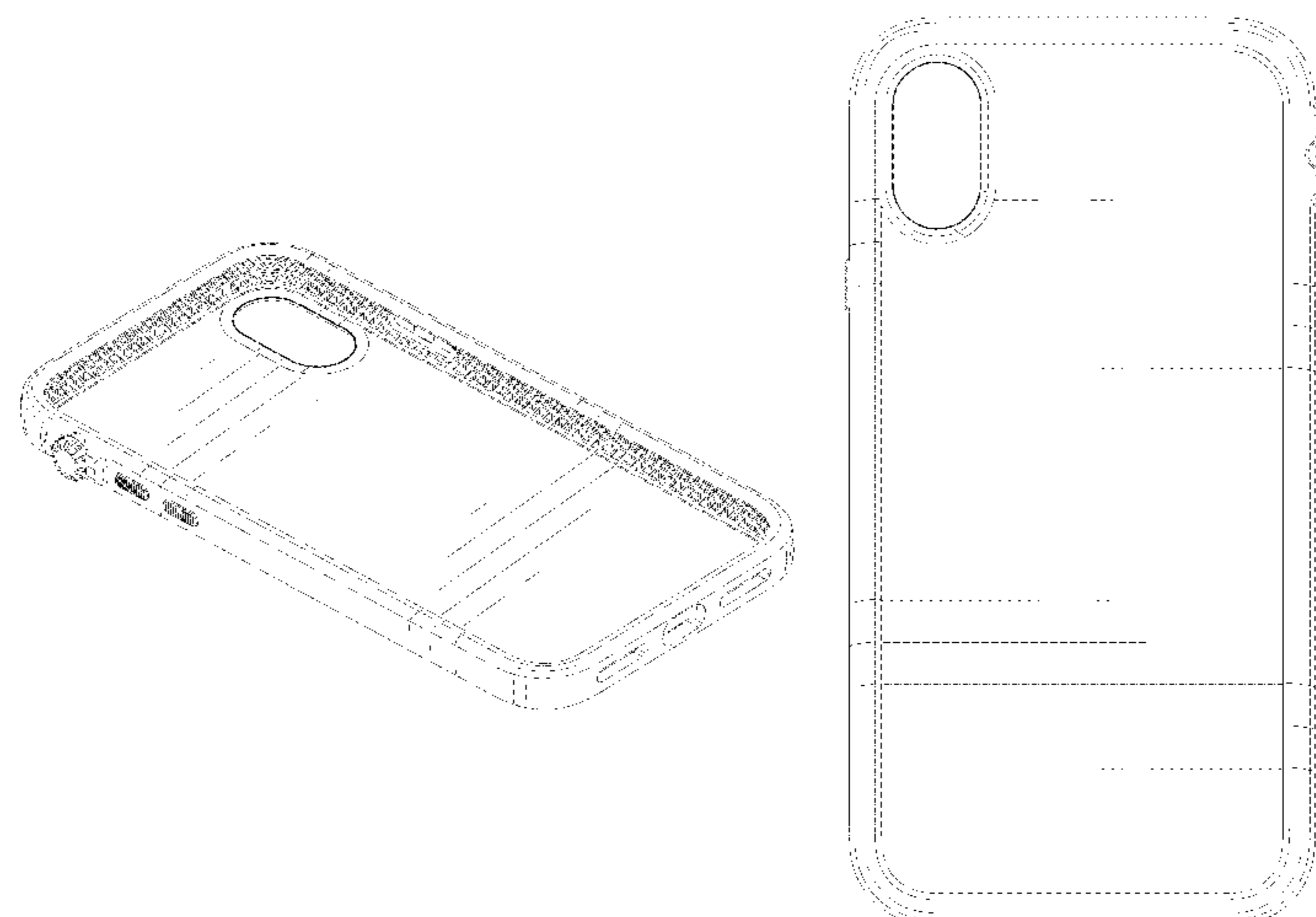
DESCRIPTION

FIG. 1 is a perspective view including a front, top and one side of a phone case showing our new design;
 FIG. 2 is a perspective view including a front, bottom and an opposite side of the phone case;
 FIG. 3 is a perspective view including a rear, top and an opposite side of the phone case;
 FIG. 4 is a perspective view including a rear, bottom and one side of the phone case;
 FIG. 5 is an elevational view of the front of the phone case of FIG. 1;
 FIG. 6 is an elevational view of the rear of the phone case of FIG. 1;
 FIG. 7 is a plan view of the top of the phone case of FIG. 1;
 FIG. 8 is a plan view of the bottom of the phone case of FIG. 1;
 FIG. 9 is an elevational view of the side of the phone case of FIG. 1;
 FIG. 10 is an elevational view of the opposite side of the phone case of FIG. 1; and,
 FIG. 11 is an enlarged detail view of the encircled portion of FIG. 1.

The dot-dash broken lines in FIGS. 1 and 11 delineate a portion of the claimed design that is shown on an enlarged scale in FIG. 11. The dot-dash broken lines form no part of the claimed design.

1 Claim, 6 Drawing Sheets

- (56) **References Cited**
U.S. PATENT DOCUMENTS
- D484,874 S 1/2004 Chang et al.
- D613,282 S 4/2010 Richardson et al.
- D616,430 S 5/2010 Fathollahi
- D616,879 S 6/2010 Kim et al.
- D624,064 S 9/2010 Esposito
- D625,303 S 10/2010 Kim
- D654,069 S 2/2012 Kwon et al.



(56)

References Cited

U.S. PATENT DOCUMENTS

D671,933 S	12/2012	Rodgers	D726,174 S	4/2015	Wahlin
D676,432 S	2/2013	Hasbrook et al.	D727,883 S	4/2015	Brand et al.
D677,249 S	3/2013	Li et al.	9,008,725 B2	4/2015	Schmidt
D677,250 S	3/2013	Takamoto	9,008,738 B1	4/2015	Dong
D678,871 S	3/2013	Mishan et al.	D729,786 S	5/2015	Lee et al.
D679,685 S	4/2013	Cox	D730,338 S	5/2015	Lee et al.
8,433,377 B1	4/2013	Oh et al.	D730,339 S	5/2015	Lee et al.
8,442,602 B2	5/2013	Wong et al.	D730,341 S	5/2015	Chan et al.
8,453,835 B2	6/2013	So	9,025,948 B2	5/2015	Tages et al.
D685,779 S	7/2013	Schriefer et al.	9,031,623 B2	5/2015	Yoo
D687,026 S	7/2013	Ruvolo	D731,472 S	6/2015	Lee et al.
D687,426 S	8/2013	Requa	D733,696 S	7/2015	Burgett et al.
D688,655 S	8/2013	Rey-Hipolito et al.	D735,182 S	7/2015	Watkins et al.
8,504,126 B1	8/2013	Maravilla et al.	D735,184 S	7/2015	Lee et al.
D689,852 S	9/2013	Azoulay	D742,868 S	11/2015	Odhwani et al.
D690,292 S	9/2013	Bibla et al.	D742,869 S	11/2015	Odhwani et al.
D691,990 S *	10/2013	Rayner D14/250	D743,388 S	11/2015	Fitzpatrick et al.
D692,419 S	10/2013	Rayner	D745,505 S	12/2015	Barfoot et al.
8,548,536 B1	10/2013	Gunnip	D745,506 S	12/2015	Barfoot et al.
D693,801 S *	11/2013	Rayner D14/250	D746,275 S	12/2015	Mohammad
D695,731 S	12/2013	Adami	D748,083 S	1/2016	Peterson, III
8,616,422 B2	12/2013	Adelman et al.	D748,085 S	1/2016	Merenda
D697,504 S *	1/2014	Yang D14/250	D748,612 S	2/2016	Chan et al.
D698,772 S	2/2014	Merenda	D748,614 S	2/2016	Ju
D700,598 S	3/2014	Kim	D750,610 S	3/2016	Chen
8,671,553 B1	3/2014	Raisch	D755,171 S	5/2016	Bae et al.
8,675,862 B1	3/2014	Lin	D755,172 S	5/2016	Lee et al.
8,676,280 B2	3/2014	Kong	D756,340 S	5/2016	Babichenko
8,676,281 B1	3/2014	Caulder et al.	D756,343 S	5/2016	Wall et al.
D703,656 S *	4/2014	Witter D14/250	D756,344 S *	5/2016	Roberts D14/250
D704,688 S	5/2014	Reivo et al.	D757,703 S	5/2016	Kanazawa
D705,763 S	5/2014	Fastman et al.	D759,641 S	6/2016	Lai et al.
8,718,731 B1	5/2014	Tang	D759,644 S	6/2016	Penn
D707,216 S	6/2014	Lee	D759,645 S	6/2016	Penn
8,759,675 B2	6/2014	Rajeswaran et al.	D761,241 S	7/2016	Nguyen et al.
8,761,388 B2	6/2014	Chen et al.	D761,780 S	7/2016	Nguyen et al.
D709,057 S *	7/2014	Wilson D14/250	D763,239 S	8/2016	Chan et al.
D709,486 S	7/2014	Lin	D764,449 S	8/2016	Chan et al.
8,763,802 B2	7/2014	Ellis-Brown	D765,629 S *	9/2016	Watt D14/250
8,774,446 B2	7/2014	Merenda	D768,122 S	10/2016	Buffone
8,774,881 B2	7/2014	Johnson	D768,612 S	10/2016	Wright et al.
8,777,003 B2	7/2014	Hong et al.	D768,617 S	10/2016	Merenda
D712,890 S	9/2014	McCormac et al.	D771,027 S	11/2016	Prstojevich et al.
D712,893 S	9/2014	Lee	D772,208 S	11/2016	Merenda
D712,895 S	9/2014	Lee et al.	D772,854 S *	11/2016	Igarashi D14/250
D713,833 S	9/2014	Wilkey	D772,855 S	11/2016	Ju
D713,834 S	9/2014	Almstrom	D772,858 S	11/2016	Hu
D714,278 S	9/2014	Case et al.	D773,448 S	12/2016	Armillotti
8,825,124 B1	9/2014	Davies et al.	D775,113 S	12/2016	Lim et al.
D714,769 S *	10/2014	Rayner D14/250	D775,114 S	12/2016	Khalili
D714,770 S	10/2014	Nolan et al.	D775,617 S	1/2017	Samson
D715,786 S	10/2014	Lee et al.	D776,100 S *	1/2017	Igarashi D14/250
D715,787 S	10/2014	Lee et al.	D776,102 S	1/2017	Kim
D715,788 S	10/2014	Lee et al.	D777,719 S	1/2017	Kim
D716,283 S	10/2014	Lee et al.	D778,273 S	2/2017	Kim
D716,784 S	11/2014	Wen	D778,274 S	2/2017	Lim et al.
D717,781 S	11/2014	Kim	D778,275 S	2/2017	Gabriel et al.
D718,291 S *	11/2014	Hong D14/250	D779,473 S	2/2017	Lee
8,879,773 B2	11/2014	Merenda	D780,738 S	3/2017	Barfoot et al.
D718,756 S	12/2014	Barfoot et al.	D781,277 S	3/2017	Cameron
D718,759 S	12/2014	Barfoot et al.	D781,833 S	3/2017	Daniels et al.
D719,143 S	12/2014	Vidovic	D781,834 S	3/2017	Kim et al.
D719,145 S	12/2014	Barfoot et al.	D781,835 S	3/2017	Kim et al.
D719,949 S	12/2014	Tussy	D781,836 S	3/2017	Kim et al.
D720,739 S	1/2015	Liu	D781,837 S	3/2017	Kim et al.
D721,356 S	1/2015	Hasbrook et al.	D781,838 S	3/2017	Kim et al.
D721,685 S	1/2015	Hasbrook et al.	D781,839 S	3/2017	Kim et al.
D723,016 S	2/2015	Lee et al.	D781,840 S	3/2017	Kim et al.
D723,019 S	2/2015	Chan et al.	D784,316 S	4/2017	Lim et al.
D723,531 S	3/2015	Katzke	D784,976 S	4/2017	Cebe
D725,091 S	3/2015	Wen	D786,230 S	5/2017	Yang
8,983,559 B2	3/2015	Chiu	D786,853 S	5/2017	Friedland et al.
8,989,826 B1	3/2015	Connolly	D787,497 S	5/2017	Friedland et al.
D726,172 S	4/2015	Watkins et al.	D789,343 S	6/2017	Hawes et al.
D726,173 S	4/2015	Kim et al.	D789,347 S	6/2017	Zamudio
			D790,526 S	6/2017	Babichenko
			D791,113 S *	7/2017	Tien D14/250
			2010/0113111 A1	5/2010	Wong et al.
			2012/0021810 A1	1/2012	Terry

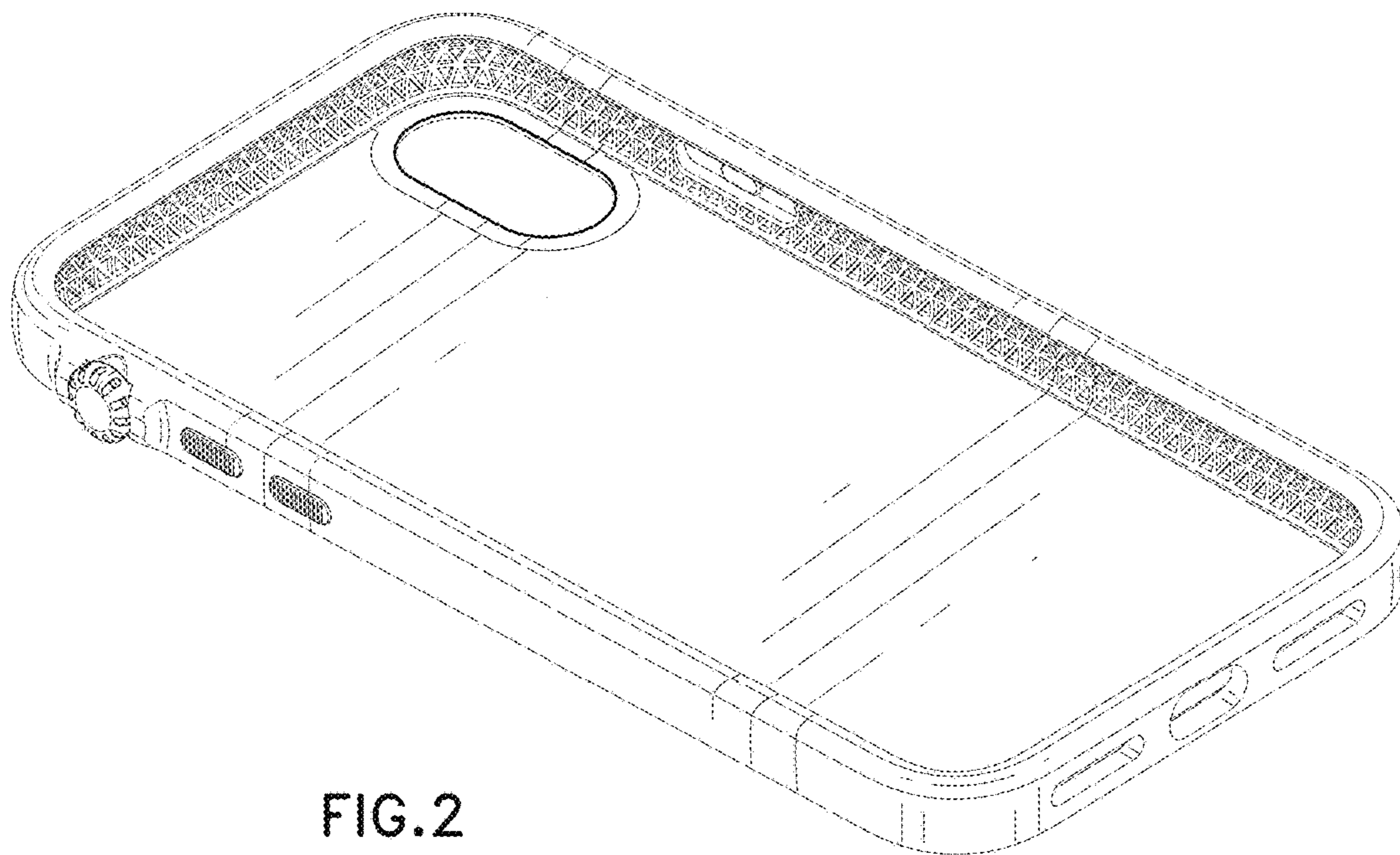
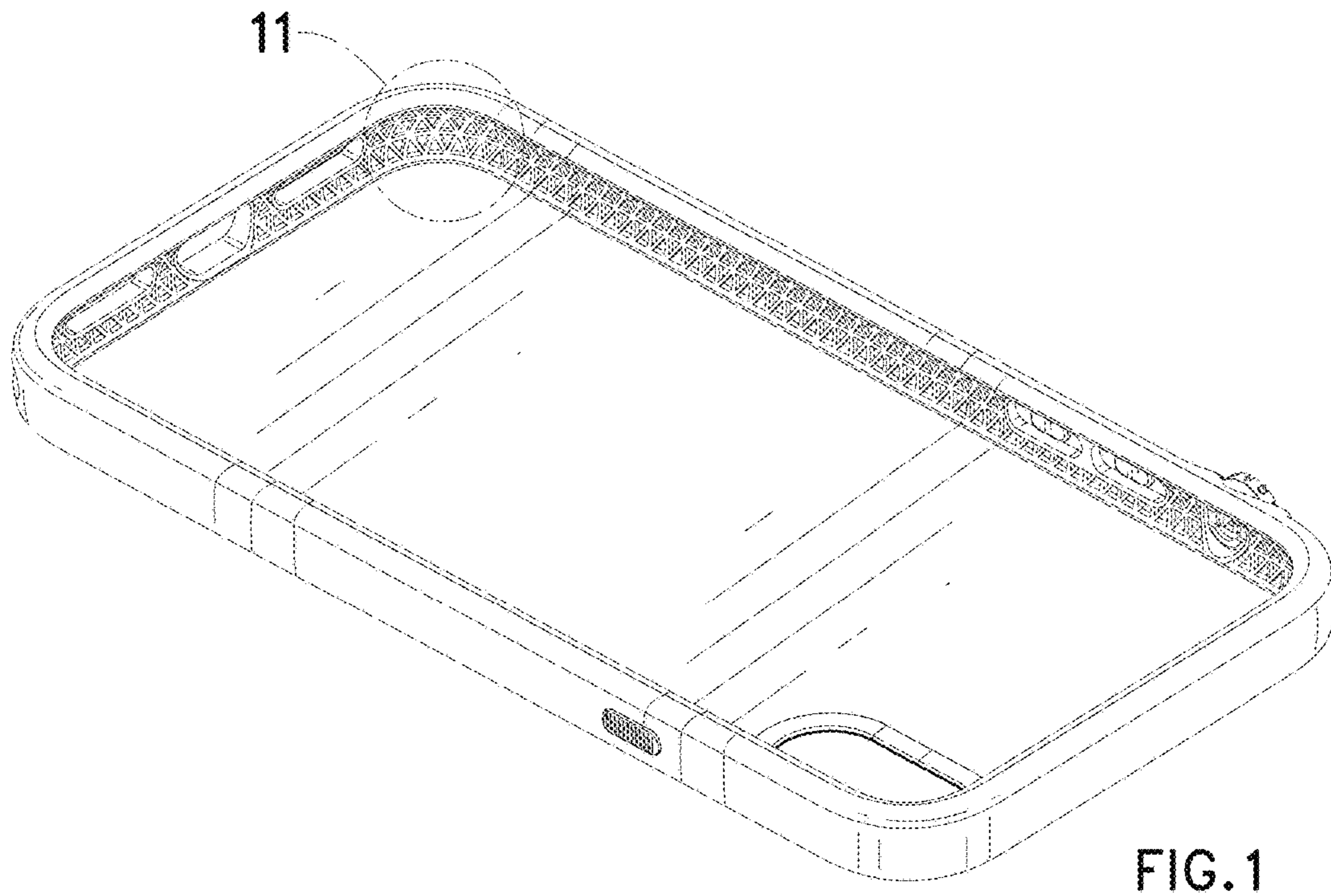
(56)

References Cited

U.S. PATENT DOCUMENTS

2012/0077548	A1	3/2012	Goldberg		2014/0187295	A1	7/2014	Kumar et al.
2012/0088558	A1	4/2012	Song		2014/0194168	A1	7/2014	Lehmann
2012/0118773	A1*	5/2012	Rayner G06F 1/1626 206/320	2014/0200054	A1	7/2014	Fraden
2012/0154119	A1	6/2012	Schepps		2014/0228082	A1	8/2014	Morrow et al.
2012/0309472	A1	12/2012	Wong et al.		2014/0357328	A1	12/2014	Aharon et al.
2012/0309475	A1	12/2012	Johnson		2014/0357330	A1	12/2014	Lin
2013/0079067	A1	3/2013	Peng		2014/0364176	A1	12/2014	Pintor
2013/0157730	A1	6/2013	McCormac et al.		2014/0370946	A1	12/2014	Daniell et al.
2013/0203470	A1	8/2013	Schneider et al.		2015/0045096	A1	2/2015	Johnson
2013/0210502	A1	8/2013	Maravilla et al.		2015/0065206	A1	3/2015	Rojas
2013/0344925	A1	12/2013	Lu et al.		2015/0133203	A1	5/2015	Xie et al.
2014/0066142	A1	3/2014	Gipson		2015/0141090	A1	5/2015	Hwan et al.
2014/0066143	A1	3/2014	Choi		2015/0141091	A1	5/2015	Oh et al.
2014/0113691	A1	4/2014	Oh et al.		2015/0195938	A1*	7/2015	Witter H05K 5/03 206/521
2014/0128130	A1	5/2014	Chiu		2016/0056856	A1*	2/2016	Diebel H04B 1/3888 264/250
					2016/0361852	A1*	12/2016	Fathollahi H04B 1/3888

* cited by examiner



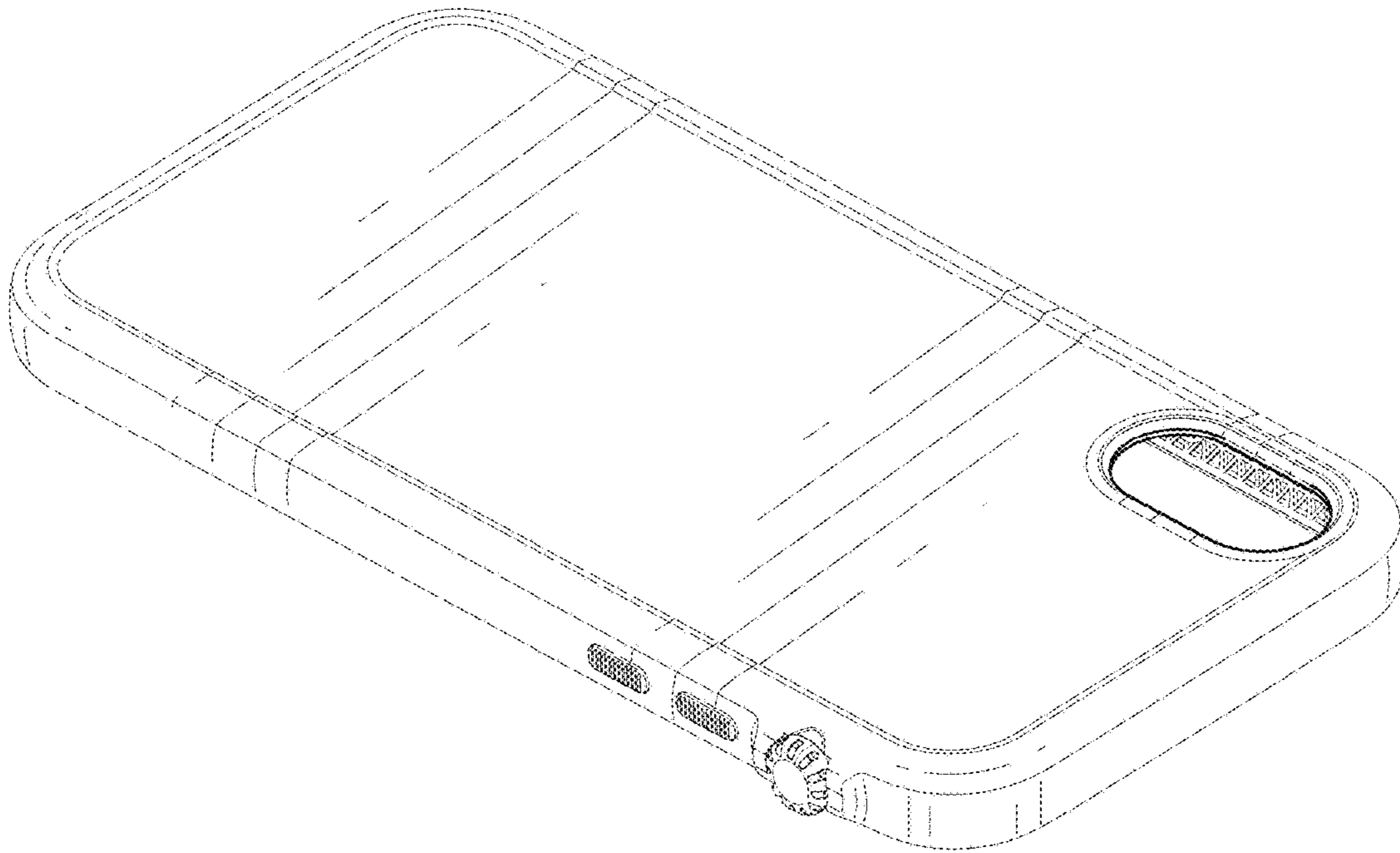


FIG. 3

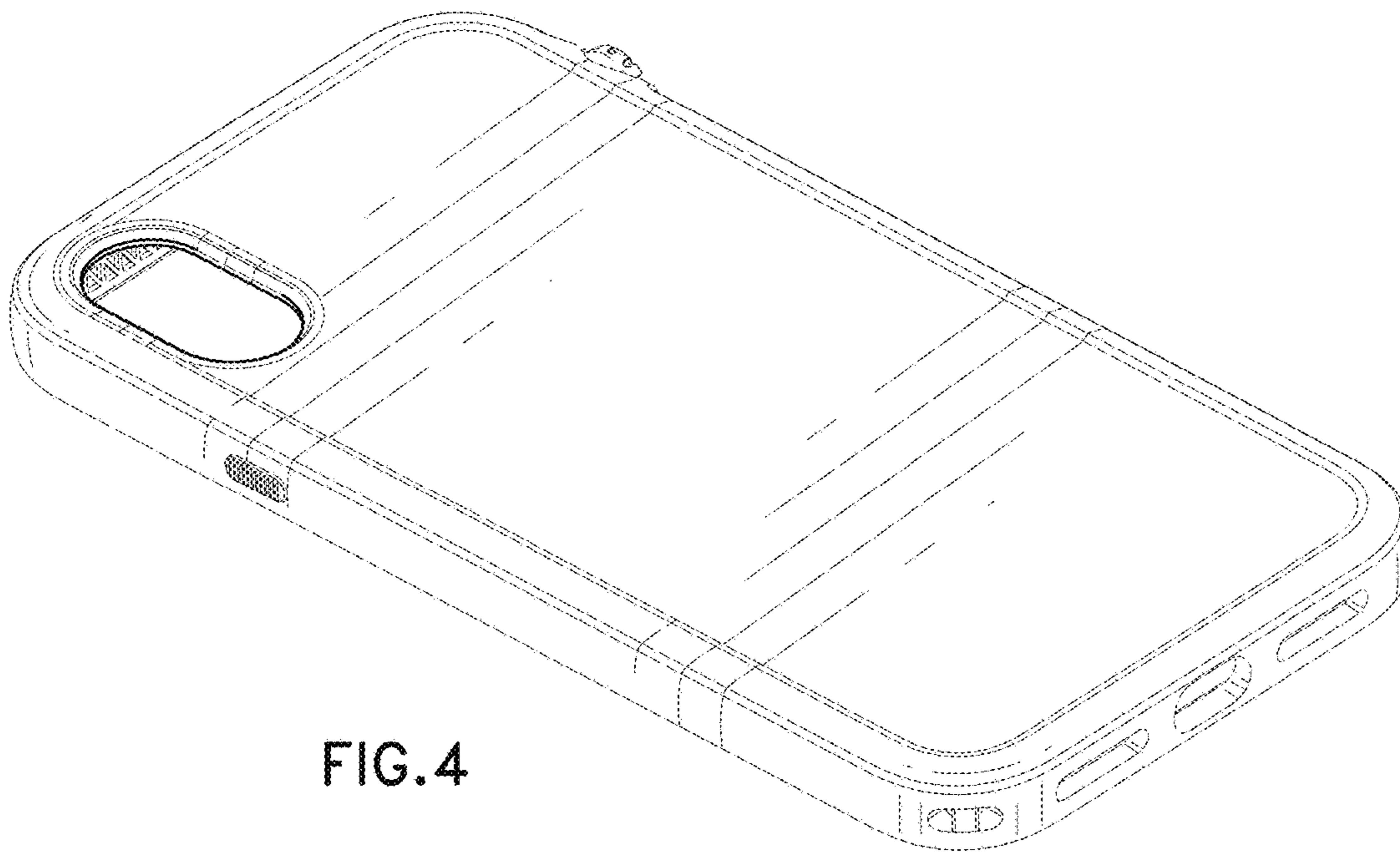


FIG. 4

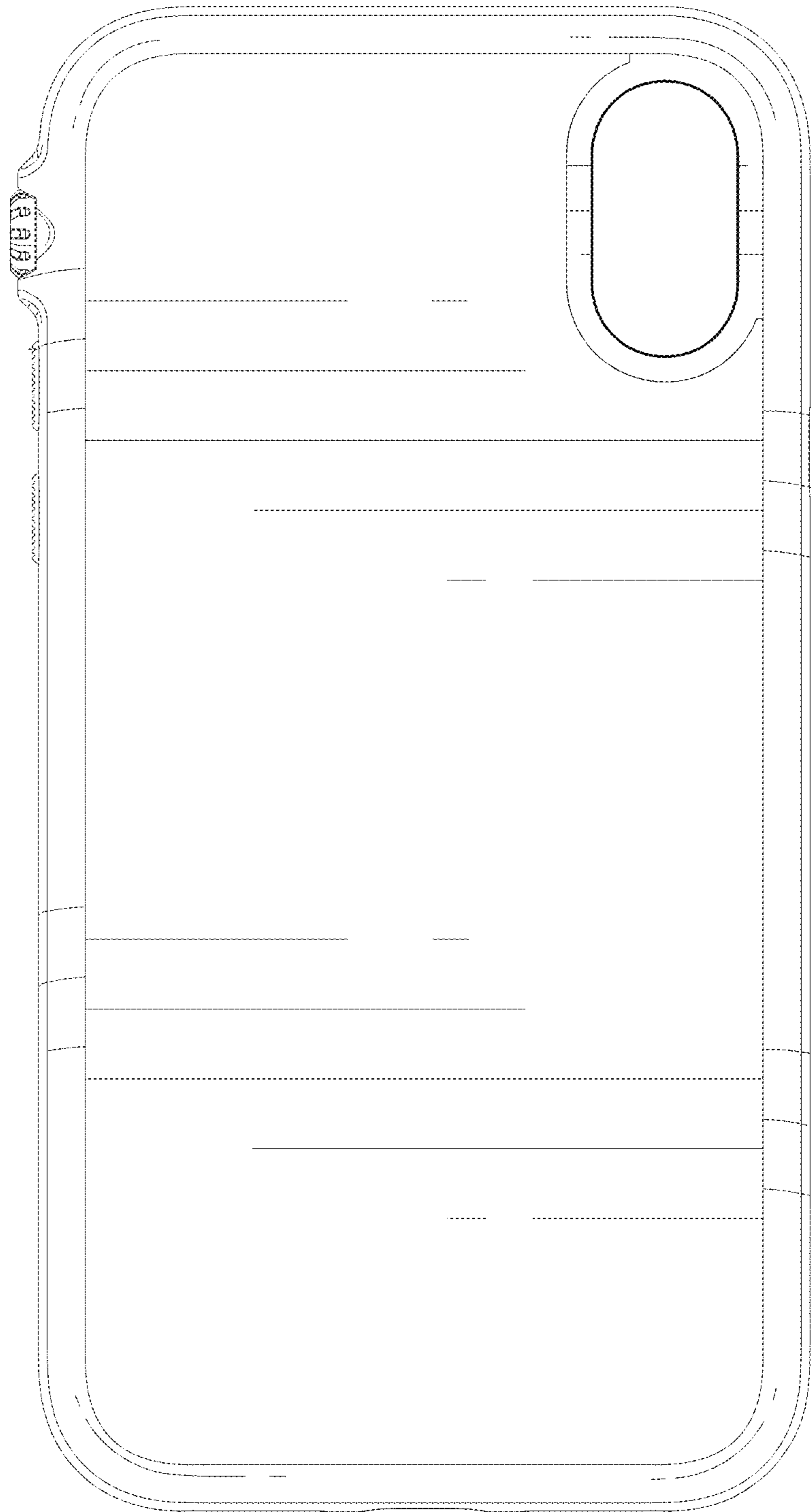


FIG. 5

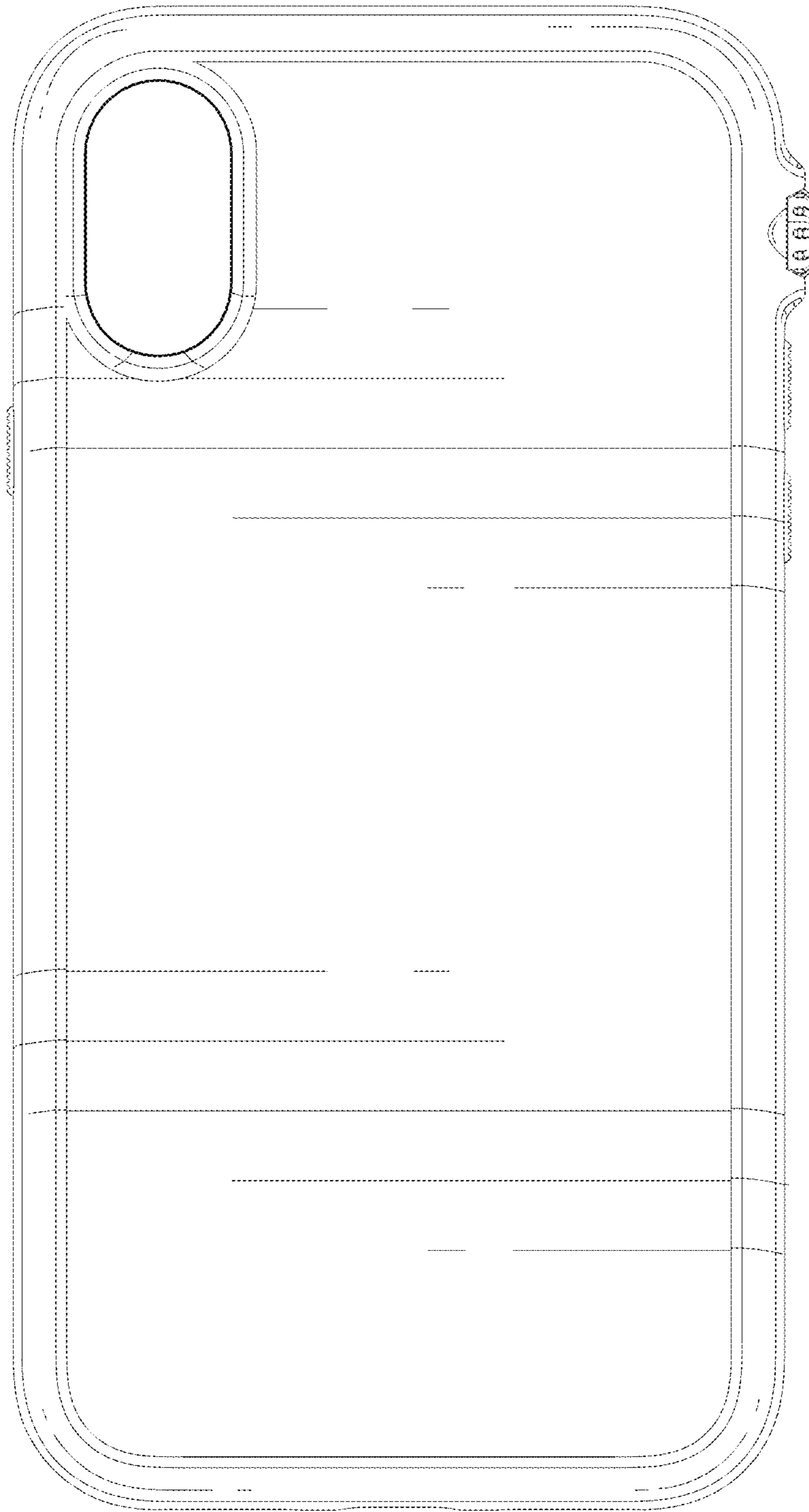


FIG. 6

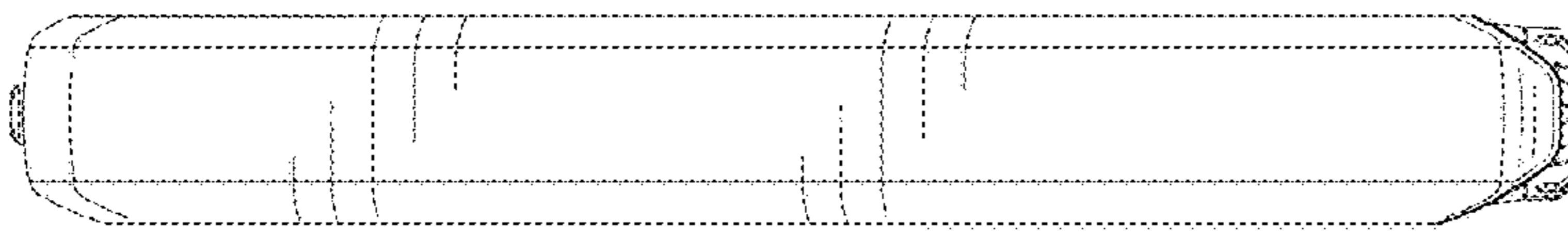


FIG. 7

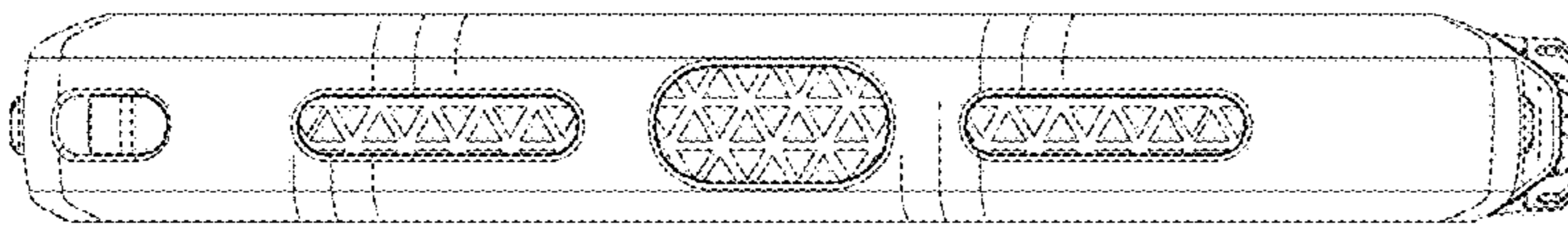


FIG. 8

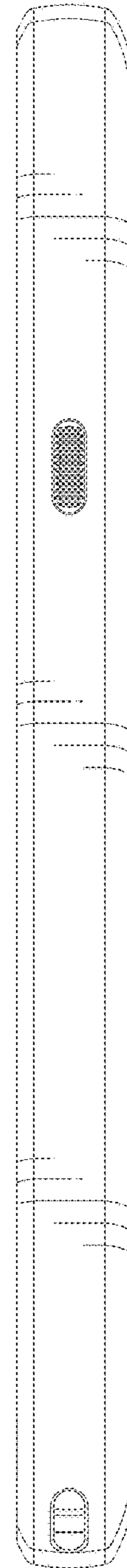


FIG. 9

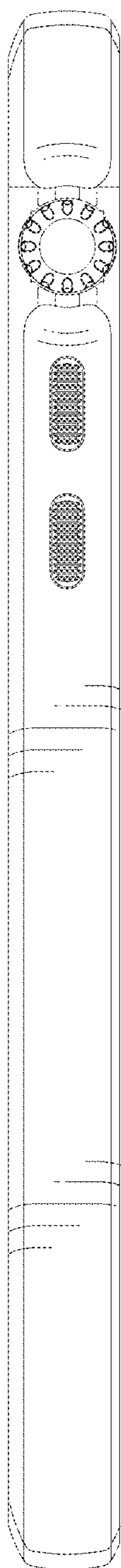


FIG. 10

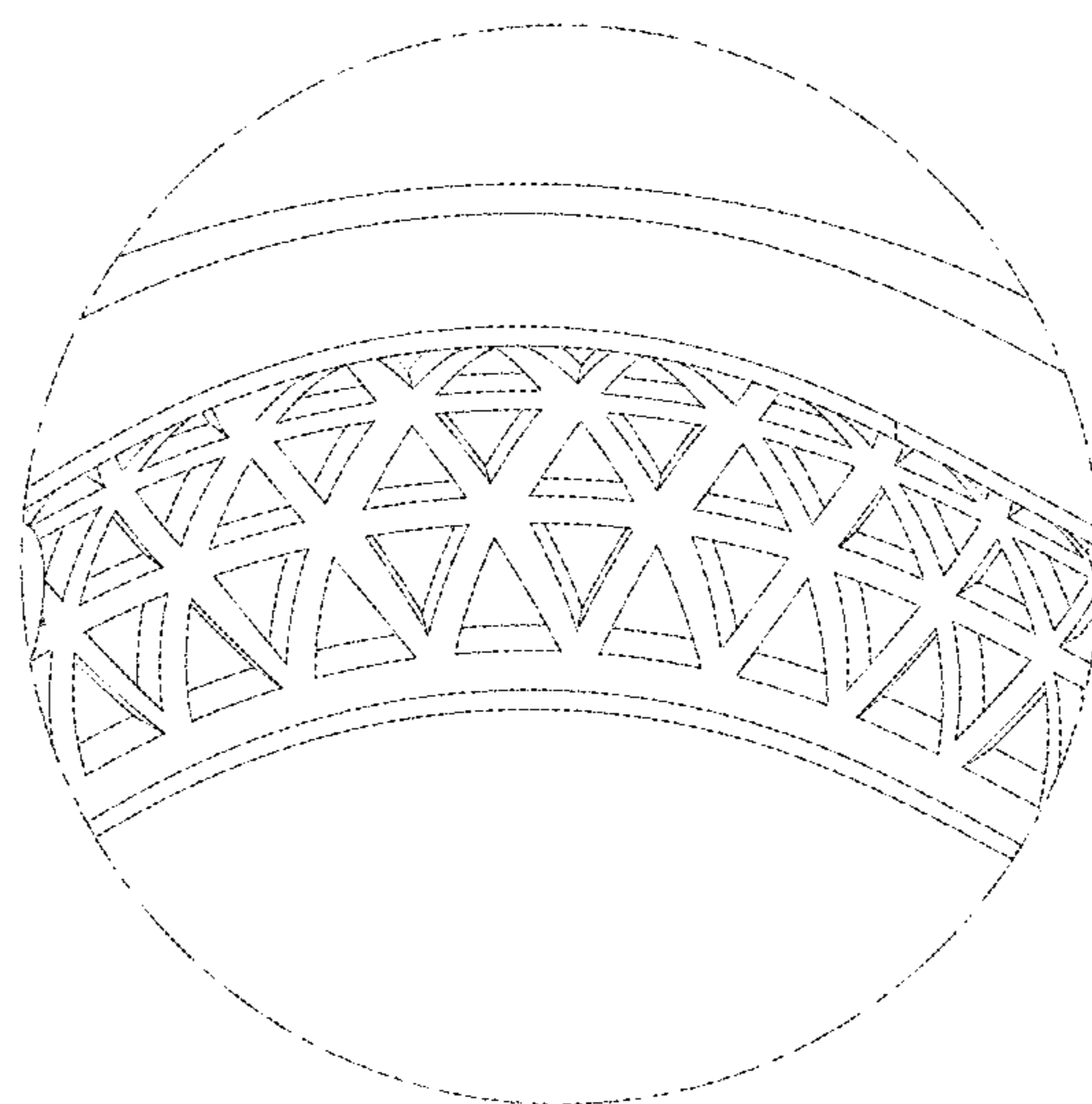


FIG. 11