



US00D820819S

(12) **United States Design Patent**  
**Kim**

(10) **Patent No.:** **US D820,819 S**

(45) **Date of Patent:** **\*\* \*Jun. 19, 2018**

(54) **CASE FOR ELECTRONIC DEVICE**

(71) Applicant: **SPIGEN KOREA CO., LTD.**, Seoul (KR)

(72) Inventor: **Dae-Young Kim**, Seoul (KR)

(73) Assignee: **SPIGEN KOREA CO., LTD.**, Seoul (KR)

(\*) Notice: This patent is subject to a terminal disclaimer.

(\*\*) Term: **15 Years**

(21) Appl. No.: **29/594,113**

(22) Filed: **Feb. 15, 2017**

**Related U.S. Application Data**

(63) Continuation of application No. 29/569,939, filed on Jul. 1, 2016, which is a continuation of application (Continued)

(51) **LOC (11) Cl.** ..... **14-03**

(52) **U.S. Cl.**  
USPC ..... **D14/250**

(58) **Field of Classification Search**  
USPC ..... D14/143, 189, 203.2–203.7, 217, 238.1, D14/240, 248, 250, 251–253, 440, 447, D14/496; D13/103

(Continued)

(56) **References Cited**

**U.S. PATENT DOCUMENTS**

D539,277 S \* 3/2007 Okada ..... D13/103  
D542,286 S \* 5/2007 Taniyama ..... D13/103

(Continued)

**OTHER PUBLICATIONS**

<http://www.spigen.com/collections/galaxy-s6/products/galaxy-s6-case-tough-armor?variant=1160710157>—Earliest review date of May 12, 2015.

(Continued)

*Primary Examiner* — Manpreet S Matharu

*Assistant Examiner* — Mojtaba Tehrani

(74) *Attorney, Agent, or Firm* — Heedong Chae; Lucem, PC

(57) **CLAIM**

The ornamental design for a case for electronic device, as shown and described.

**DESCRIPTION**

FIG. 1 is a front perspective view of a case for electronic device showing my new design;

FIG. 2 is a rear perspective view thereof;

FIG. 3 is a front elevational view thereof;

FIG. 4 is a rear elevational view thereof;

FIG. 5 is a left side elevational view thereof;

FIG. 6 is a right side elevational view thereof;

FIG. 7 is a top plan view thereof;

FIG. 8 is a bottom plan view thereof;

FIG. 9 is a rear perspective view thereof with a support leg extended;

FIG. 10 is an exploded rear perspective view thereof, showing an inner shell, the support leg, and an outer frame;

FIG. 11 is a front perspective view of the inner shell of the case;

FIG. 12 is a rear perspective view of the inner shell of the case;

FIG. 13 is a rear perspective view of the support leg of the case;

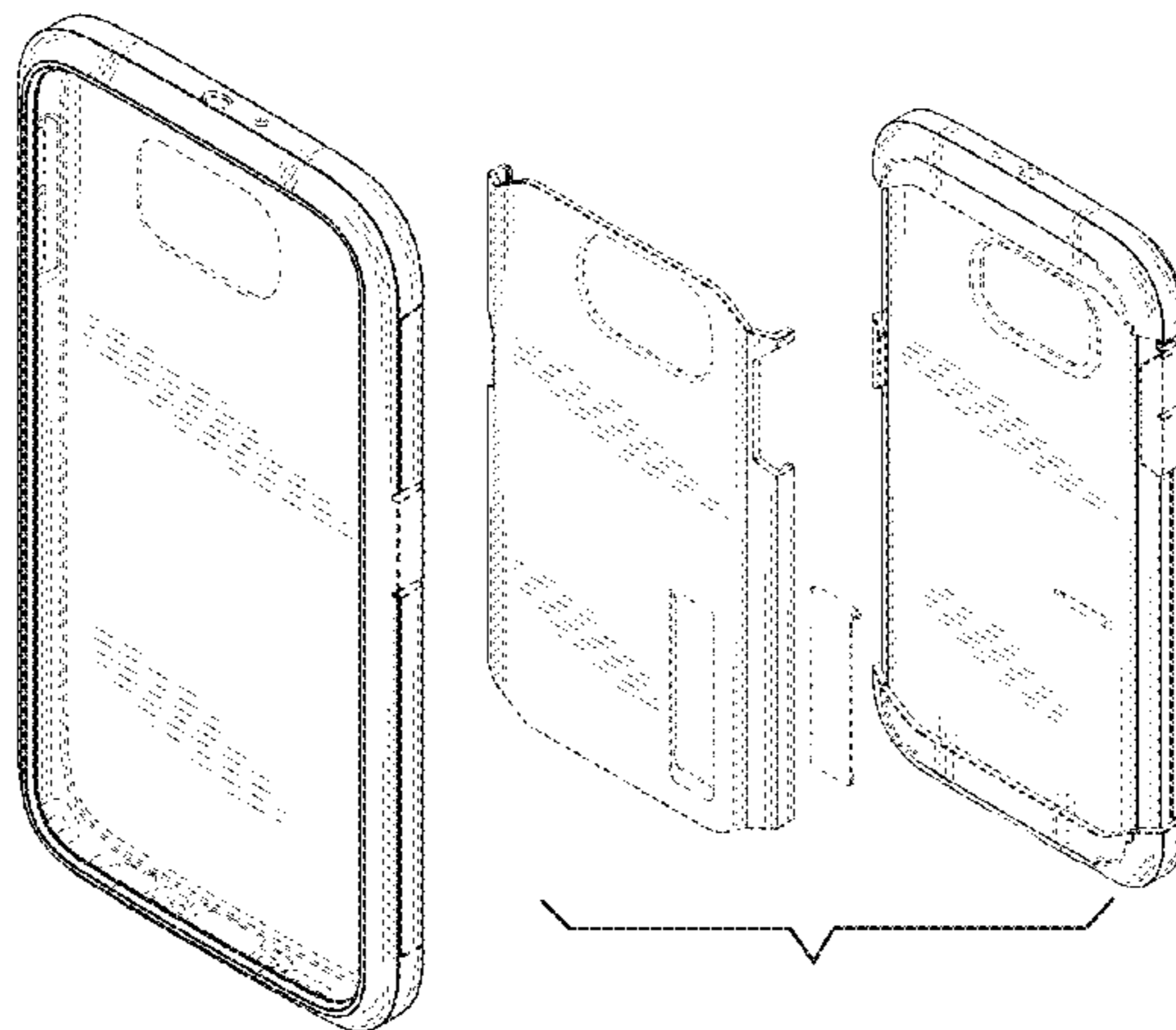
FIG. 14 is a front perspective view of the support leg of the case;

FIG. 15 is a front perspective view of the outer frame of the case; and,

FIG. 16 is a rear perspective view of the outer frame of the case.

The broken line in the figure drawings represents unclaimed environment only and forms no part of the claimed design.

**1 Claim, 16 Drawing Sheets**



**Related U.S. Application Data**

No. 29/518,091, filed on Feb. 19, 2015, now Pat. No. Des. 789,344.

(58) **Field of Classification Search**

CPC ..... A45C 1/06; A45C 11/00; A45C 13/02; A45C 2011/002; A45F 2005/026; A45F 2200/0525; A45F 2200/0516; H04B 1/3888; H04M 1/0283; H04M 1/0202  
See application file for complete search history.

(56) **References Cited**

U.S. PATENT DOCUMENTS

D613,761 S 4/2010 Jones  
D613,762 S 4/2010 Jones  
D613,763 S 4/2010 Jones  
D614,668 S 4/2010 Jones  
D619,361 S \* 7/2010 Andre ..... D3/269  
D646,265 S \* 10/2011 Fathollahi ..... D14/250  
D650,371 S \* 12/2011 Wibby ..... D14/238.1  
D676,035 S 2/2013 Chang  
D677,249 S \* 3/2013 Li ..... D14/250  
D679,271 S \* 4/2013 Liu ..... D13/103  
D681,615 S \* 5/2013 Fathollahi ..... D14/250  
8,517,172 B1 8/2013 Chang  
8,706,176 B1 4/2014 Jia  
D706,254 S \* 6/2014 Chang ..... D14/217  
D709,871 S 7/2014 Lee  
D721,071 S 1/2015 Nelson  
D727,883 S \* 4/2015 Brand ..... D14/250  
D732,012 S \* 6/2015 Tsai ..... D14/250  
9,049,283 B1 6/2015 Kim  
D749,068 S 2/2016 Zaborski  
D749,535 S \* 2/2016 Joung ..... D14/138 G  
D753,099 S \* 4/2016 Kim ..... D14/250  
D755,764 S 5/2016 Dong  
D755,772 S 5/2016 Sasaki  
D756,339 S 5/2016 Tussy  
D756,340 S 5/2016 Babichenko  
D756,343 S 5/2016 Wall et al.  
D756,909 S 5/2016 Gupta  
D756,977 S 5/2016 Schriefer  
D756,978 S 5/2016 Addonisio  
D756,980 S 5/2016 Beeman  
D757,703 S 5/2016 Kanazawa  
D759,641 S 6/2016 Lai et al.

D759,642 S 6/2016 Chao  
D762,633 S 8/2016 Fife  
D765,635 S 9/2016 Chang  
D765,638 S 9/2016 Gaylord  
D765,640 S 9/2016 Bulkley  
D768,615 S 10/2016 Wang  
9,467,189 B2 10/2016 Day et al.  
D771,028 S \* 11/2016 Kim ..... D14/250  
D771,607 S \* 11/2016 Kim ..... D14/250  
D772,858 S 11/2016 Hu  
9,503,147 B2 11/2016 Witter et al.  
D775,620 S \* 1/2017 Kim ..... D14/250  
D776,648 S \* 1/2017 Kim ..... D14/250  
D776,649 S \* 1/2017 Kim ..... D14/250  
D777,156 S \* 1/2017 Kim ..... D14/250  
9,545,140 B1 1/2017 Johnson et al.  
D778,897 S \* 2/2017 Kim ..... D14/250  
D778,898 S \* 2/2017 Kim ..... D14/250  
9,628,133 B2 \* 4/2017 Kim ..... H04B 1/3888  
D786,233 S \* 5/2017 Kim ..... D14/250  
D786,851 S \* 5/2017 Kim ..... D14/250  
D786,854 S \* 5/2017 Kim ..... D14/250  
D787,492 S \* 5/2017 Kim ..... D14/250  
D788,760 S \* 6/2017 Kim ..... D14/250  
D789,344 S \* 6/2017 Kim ..... D14/250  
D791,116 S \* 7/2017 Kim ..... D14/250  
2011/0050606 A1 \* 3/2011 Zhang ..... H04M 1/0202  
345/173  
2015/0189963 A1 \* 7/2015 Lai ..... A45C 13/008  
224/191  
2015/0335116 A1 11/2015 Kim  
2016/0285301 A1 \* 9/2016 Kim ..... H02J 7/025  
2016/0374443 A1 \* 12/2016 Kim ..... A45C 11/182  
206/38

OTHER PUBLICATIONS

<http://www.spigen.com/collections/galaxy-s7/products/galaxy-s7-case-tough-armor-1?variant=12163553089>—Product review date of Mar. 8, 2016.  
[http://www.amazon.com/Spigen%C2%AE-Gunmetal-Extreme-Protection-Protective/dp/B01A7IDNWQ/ref=pd\\_sim\\_107\\_5?ie=UTF8](http://www.amazon.com/Spigen%C2%AE-Gunmetal-Extreme-Protection-Protective/dp/B01A7IDNWQ/ref=pd_sim_107_5?ie=UTF8)—Earliest review date of Feb. 17, 2016.  
<https://www.amazon.com/Spigen-Gunmetal-EXTREME-Protection-Samsung/dp/B00I3UWDV8/>—Available as early as Mar. 9, 2014.

\* cited by examiner

FIG. 1

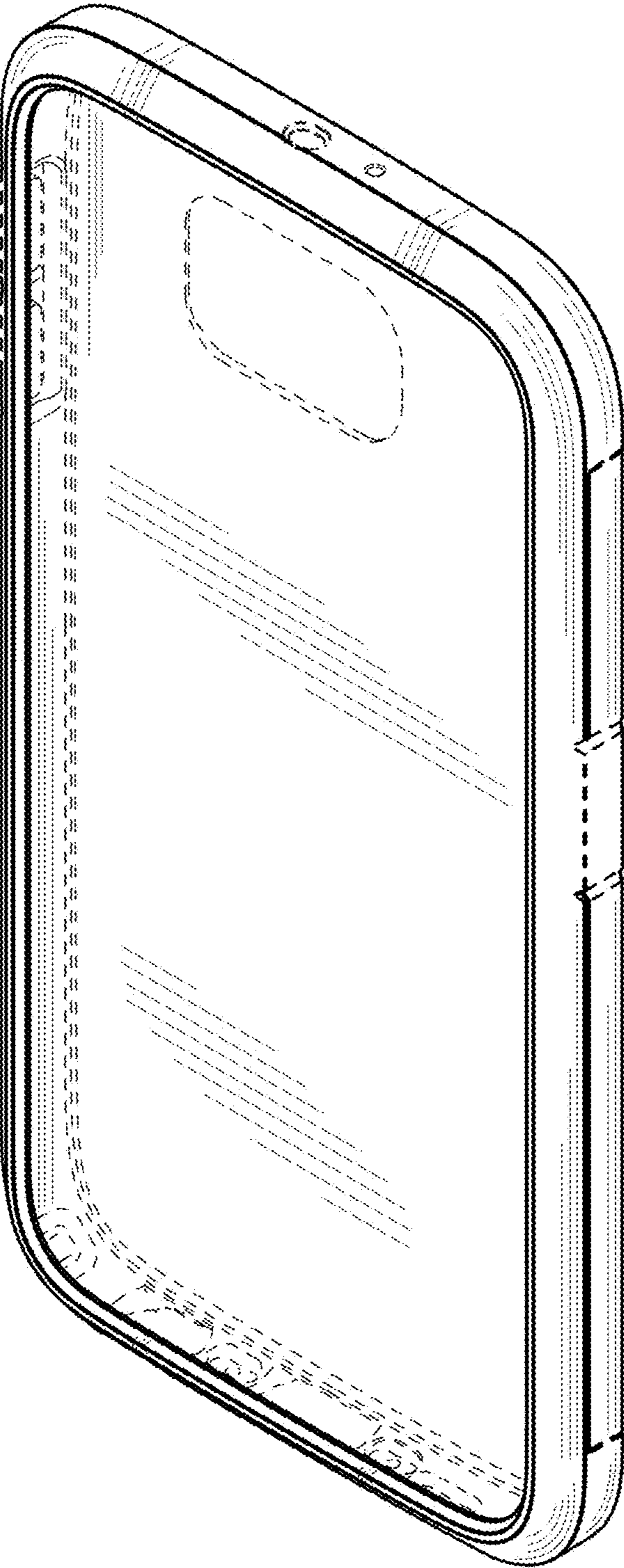


FIG. 2

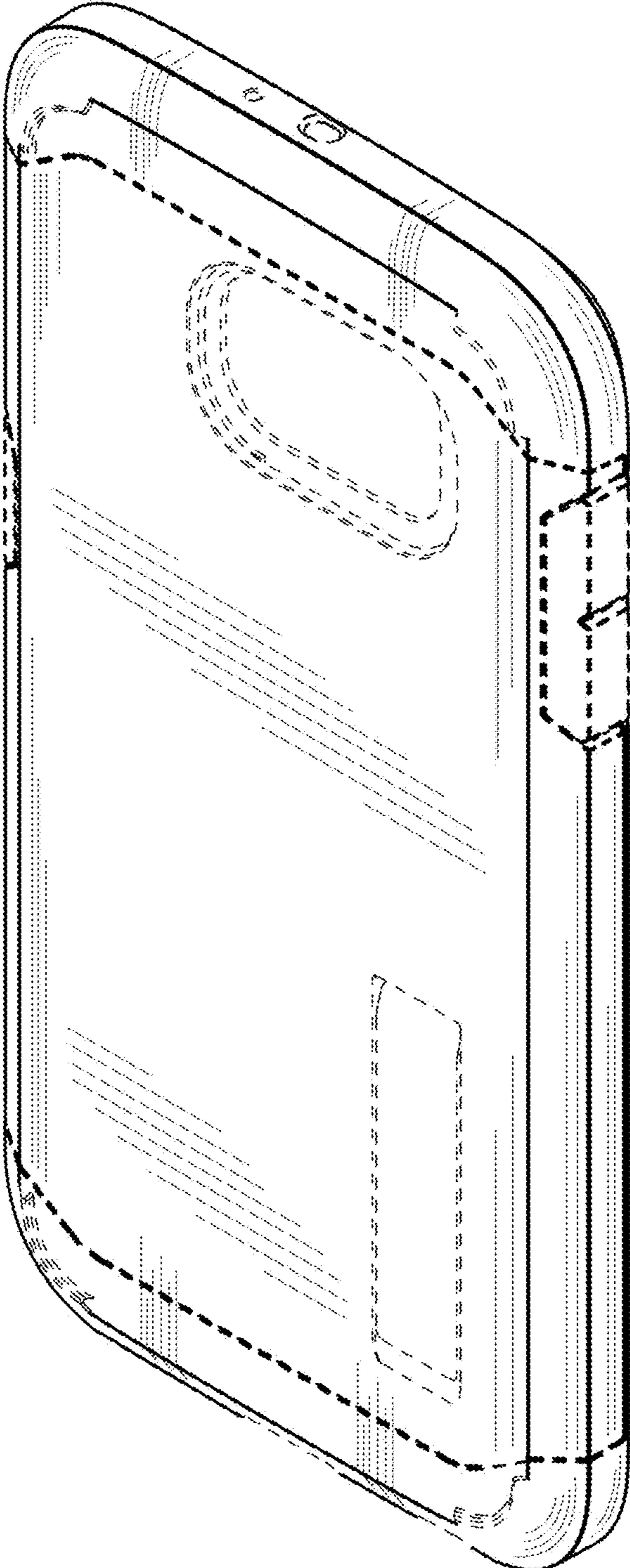


FIG. 3

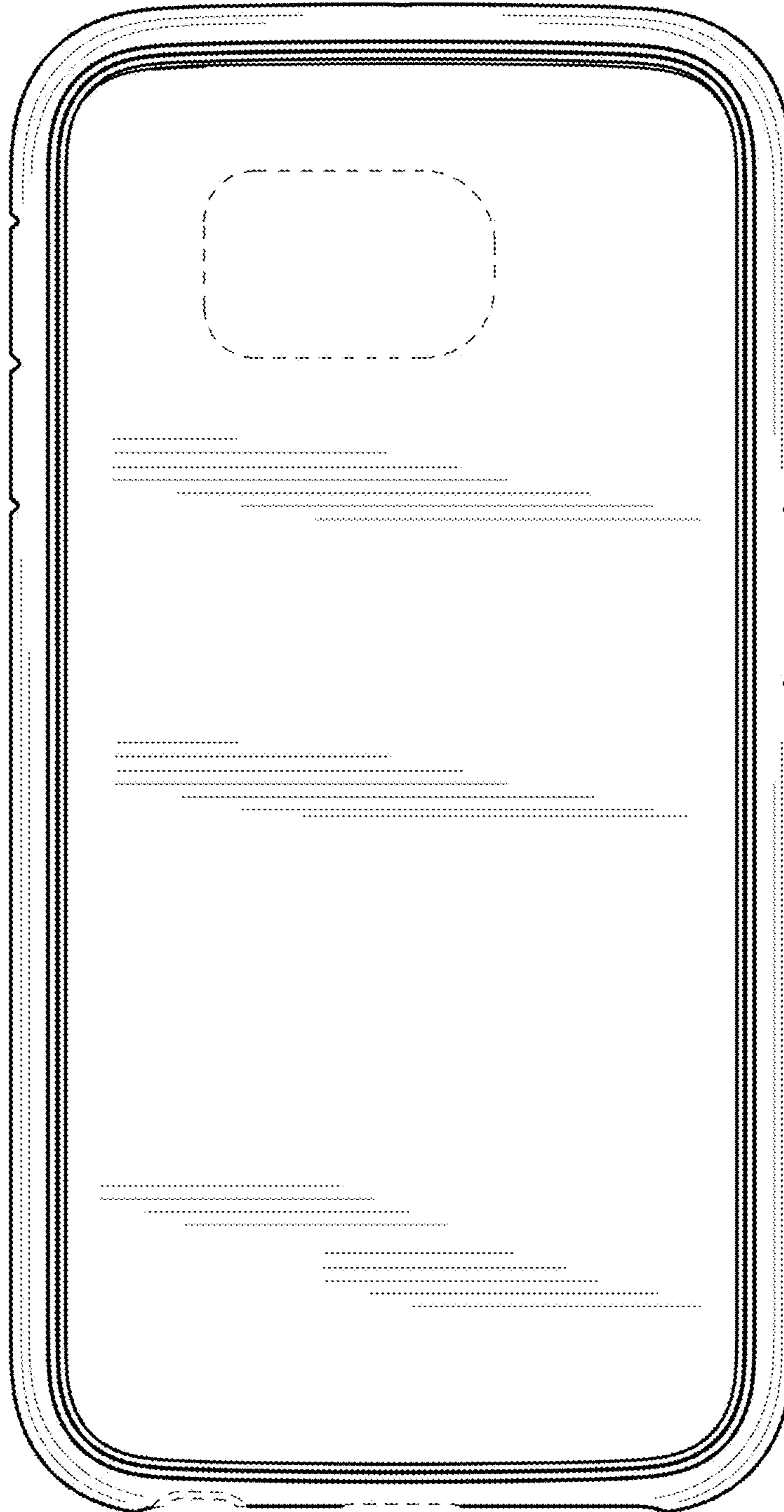


FIG. 4

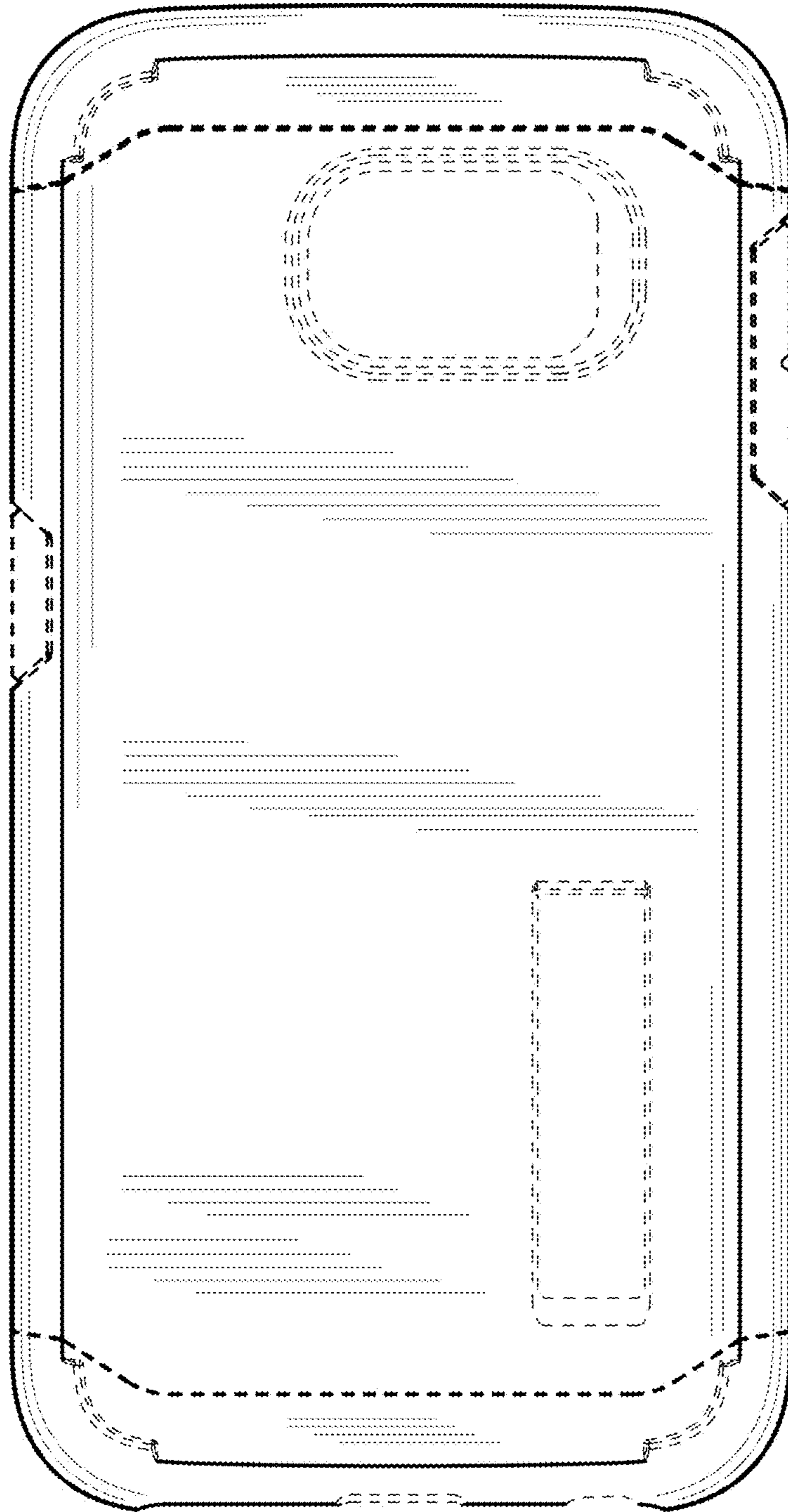


FIG. 5

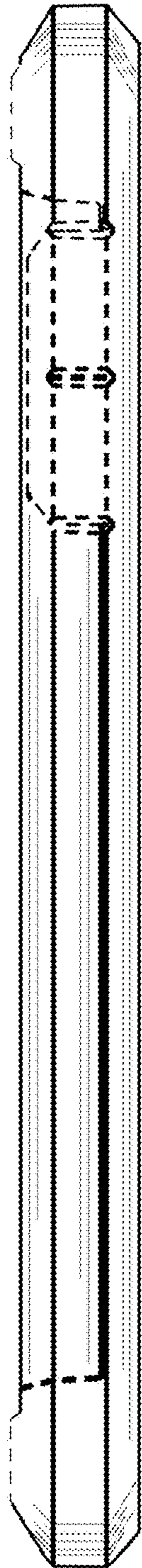


FIG. 6

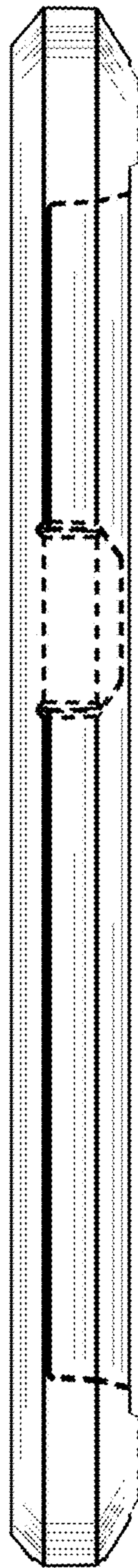




FIG. 7

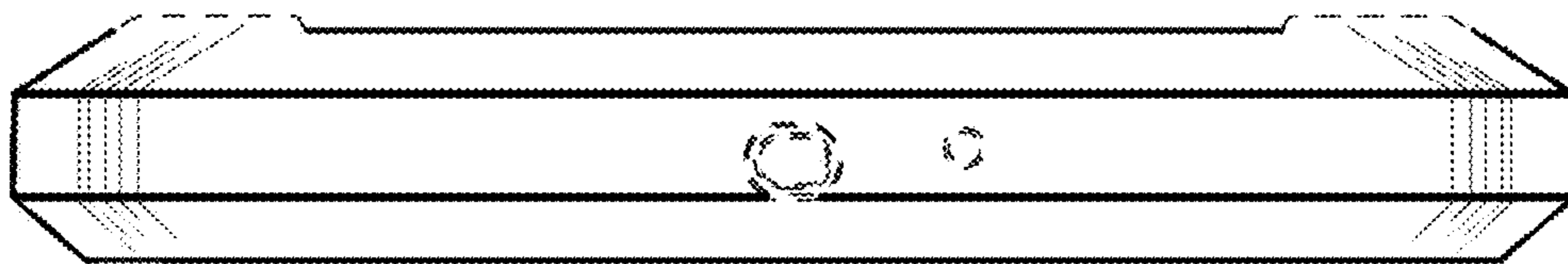


FIG. 8



FIG. 9

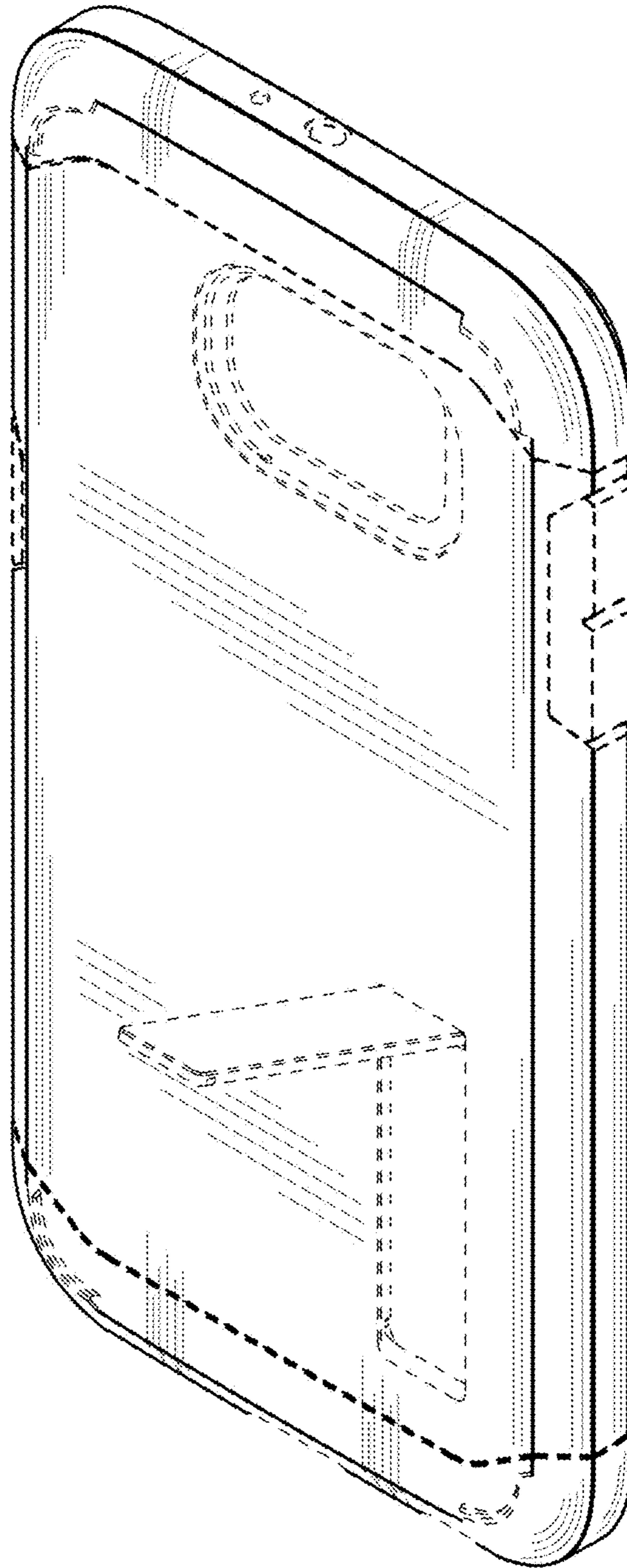


FIG. 10

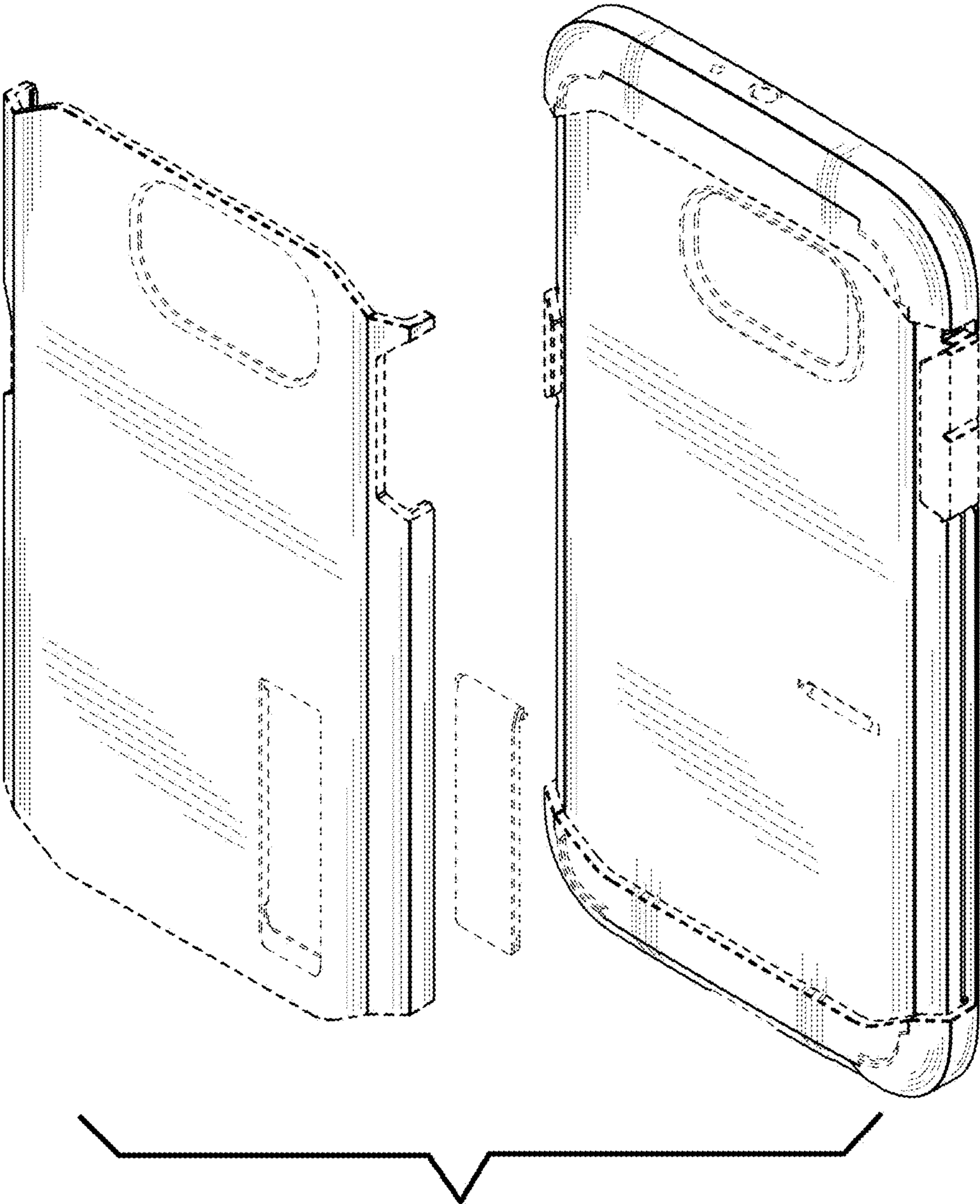


FIG. 11

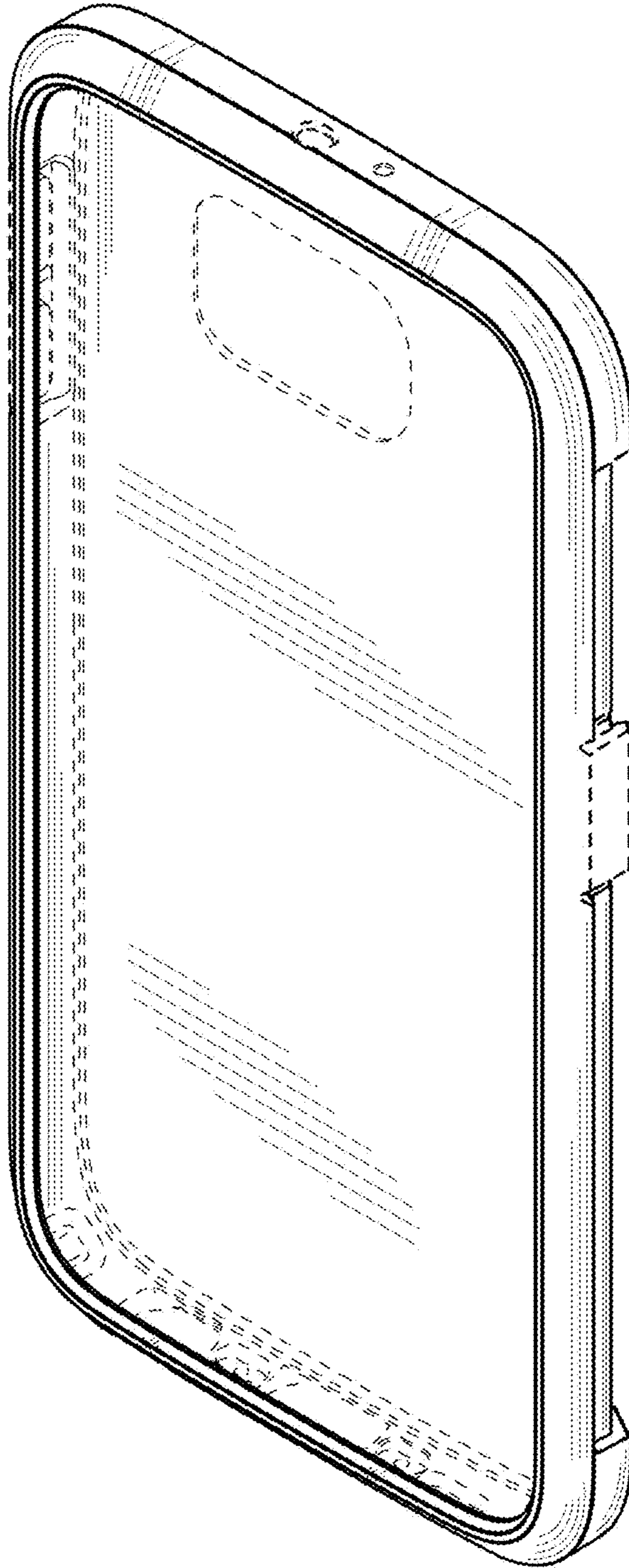


FIG. 12

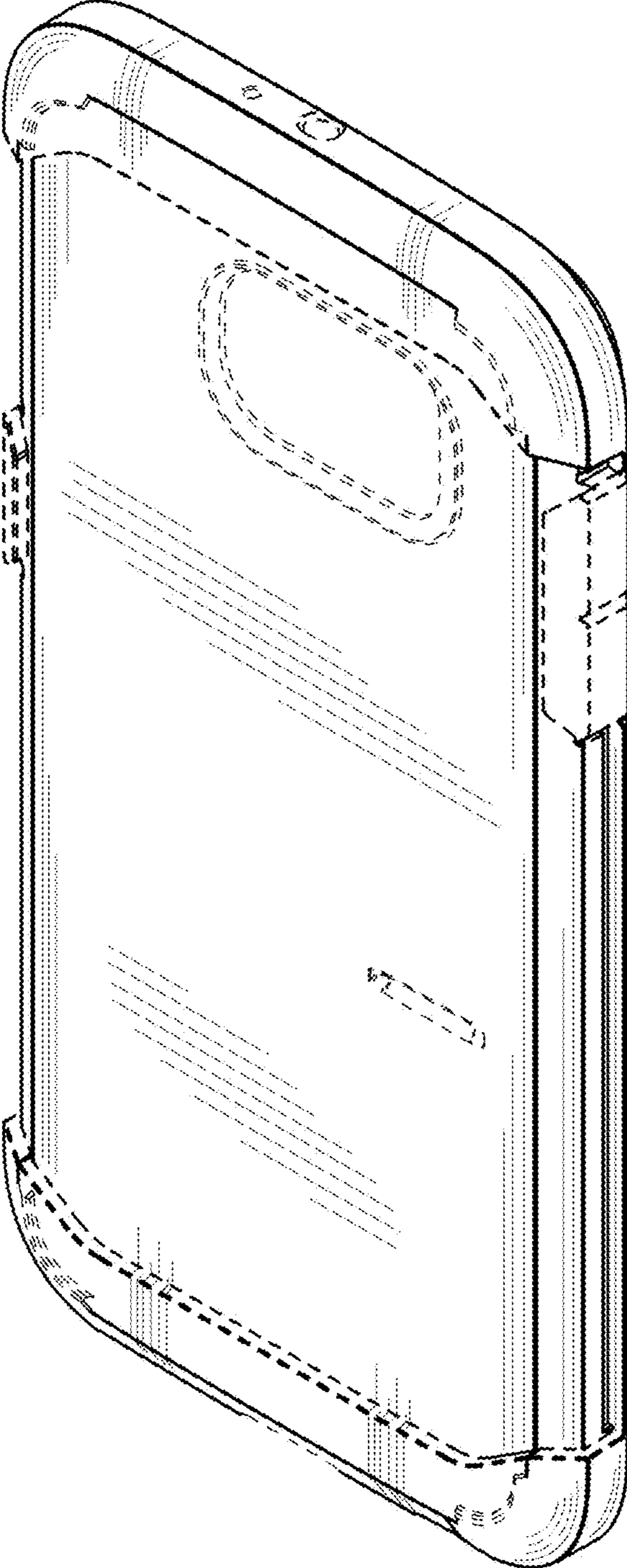


FIG. 13

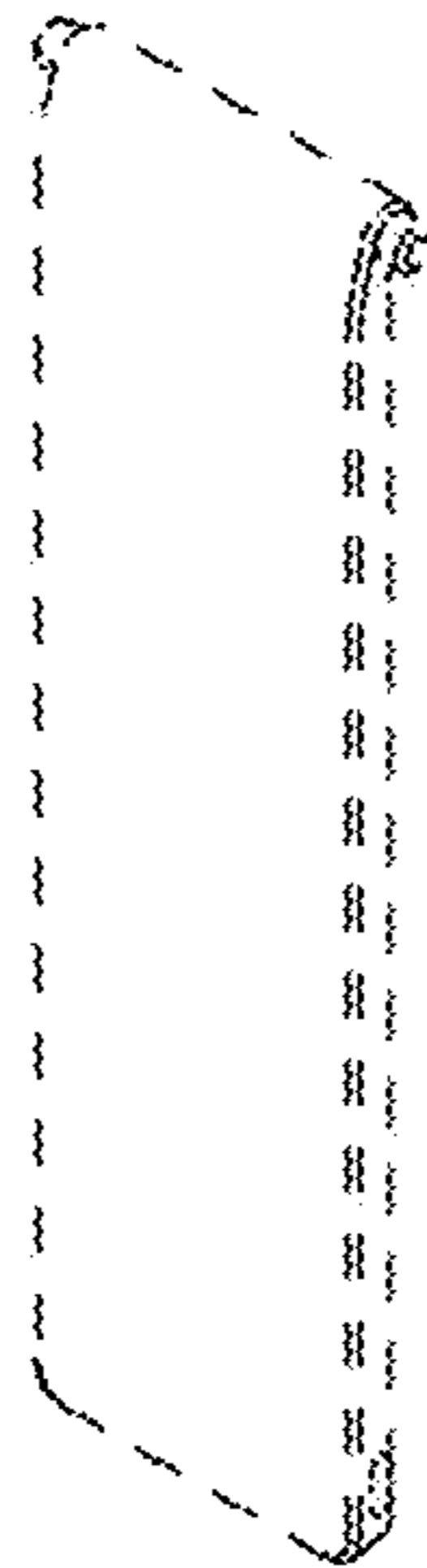


FIG. 14

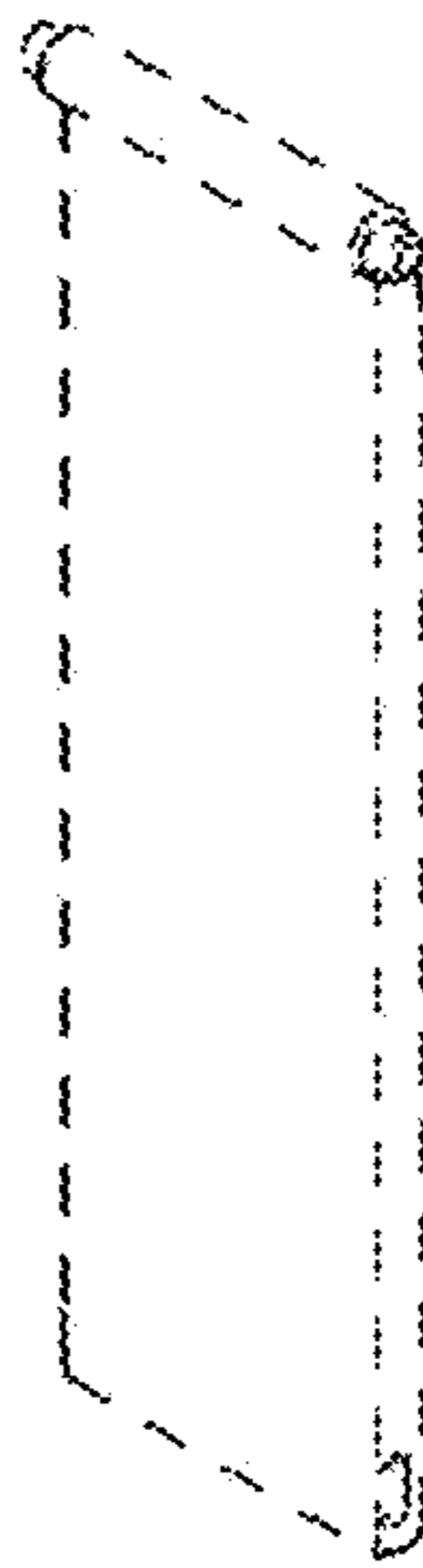




FIG. 15

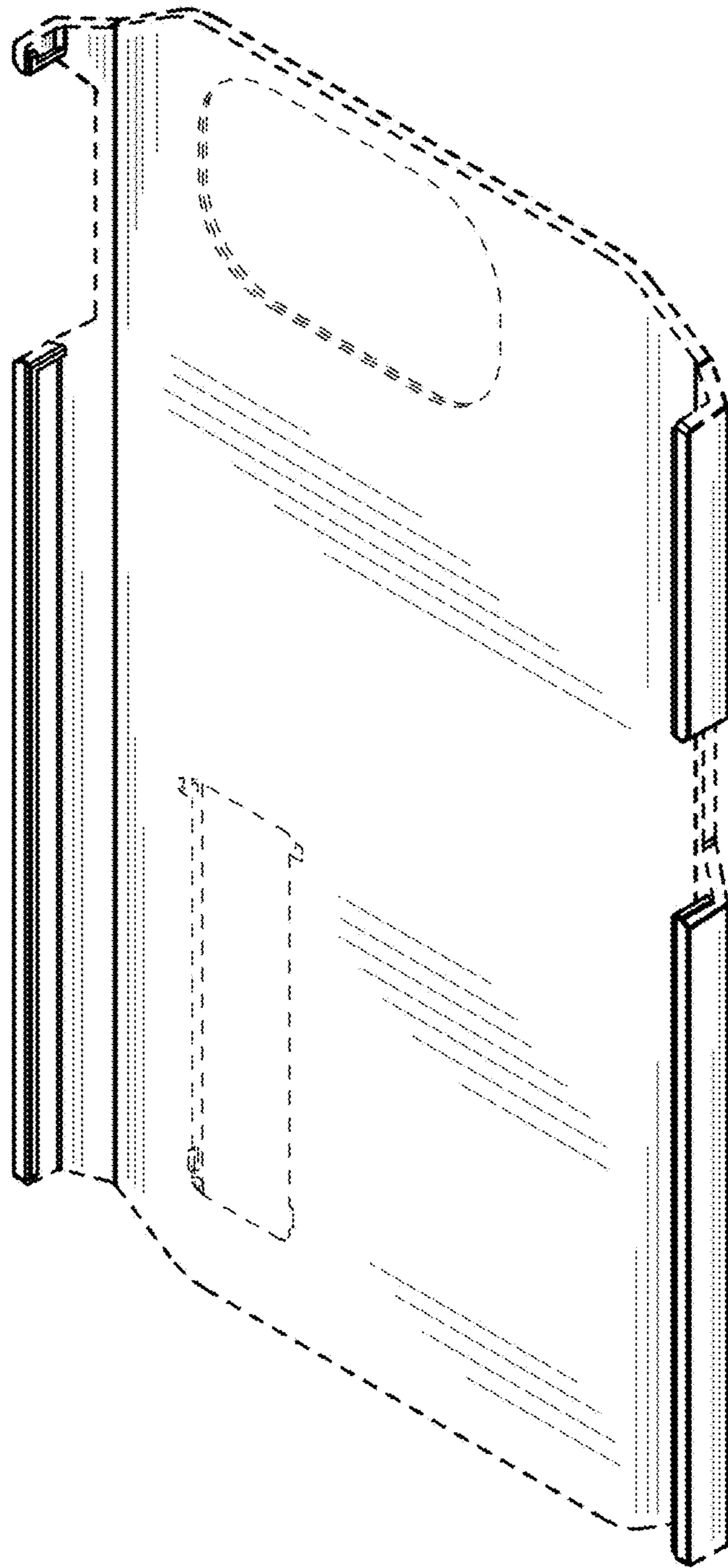


FIG. 16

