



US00D820809S

(12) **United States Design Patent** (10) **Patent No.:** **US D820,809 S**  
**Akana et al.** (45) **Date of Patent:** **\*\* Jun. 19, 2018**

(54) **EARPHONE**

(71) Applicant: **Apple Inc.**, Cupertino, CA (US)

(72) Inventors: **Jody Akana**, San Francisco, CA (US); **Bartley K. Andre**, Palo Alto, CA (US); **Jeremy Bataillou**, San Francisco, CA (US); **Daniel J. Coster**, San Francisco, CA (US); **Daniele De Iuliis**, San Francisco, CA (US); **M. Evans Hankey**, San Francisco, CA (US); **Julian Hoenig**, San Francisco, CA (US); **Richard P. Howarth**, San Francisco, CA (US); **Jonathan P. Ive**, San Francisco, CA (US); **Duncan Robert Kerr**, San Francisco, CA (US); **Shin Nishibori**, Kailua, HI (US); **Matthew Dean Rohrbach**, San Francisco, CA (US); **Peter Russell-Clarke**, San Francisco, CA (US); **Christopher J. Stringer**, Woodside, CA (US); **Eugene Antony Whang**, San Francisco, CA (US); **Rico Zörkendörfer**, San Francisco, CA (US)

(73) Assignee: **Apple Inc.**, Cupertino, CA (US)

(\*\*) Term: **15 Years**

(21) Appl. No.: **29/581,785**

(22) Filed: **Oct. 21, 2016**

**Related U.S. Application Data**

(63) Continuation-in-part of application No. 29/530,281, filed on Jun. 15, 2015, now Pat. No. Des. 769,849, (Continued)

(51) **LOC (11) Cl.** ..... **14-01**

(52) **U.S. Cl.**  
USPC ..... **D14/205; D14/219**

(58) **Field of Classification Search**

USPC ..... D14/223, 205, 250, 138, 249, 219, 225, D14/215, 216; D24/174; 128/864, 865, (Continued)

(56) **References Cited**

**U.S. PATENT DOCUMENTS**

1,578,165 A \* 3/1926 Mullen ..... H04R 1/12  
379/452

2,148,477 A 2/1939 Koch  
(Continued)

**OTHER PUBLICATIONS**

“iBlink WLP3 Earbuds—100Hz-10kHz, Noise Isolation, 3.5mm Jack, LED Light (Pink), White,” TigerDirect.com, accessed at [http://www.tigerdirect.com/applications/SearchTools/item-details.asp?EdpNo=3988300&csid=\\_61](http://www.tigerdirect.com/applications/SearchTools/item-details.asp?EdpNo=3988300&csid=_61), last accessed on Jan. 31, 2013; 4 pages.

(Continued)

*Primary Examiner* — Paula Allen Greene

(74) *Attorney, Agent, or Firm* — Sterne, Kessler, Goldstein & Fox P.L.L.C.

(57) **CLAIM**

The ornamental design for an earphone, as shown and described.

**DESCRIPTION**

FIG. 1 is a front perspective view of an earphone showing the claimed design;

FIG. 2 is a rear perspective view thereof;

FIG. 3 is a front view thereof;

FIG. 4 is a rear view thereof;

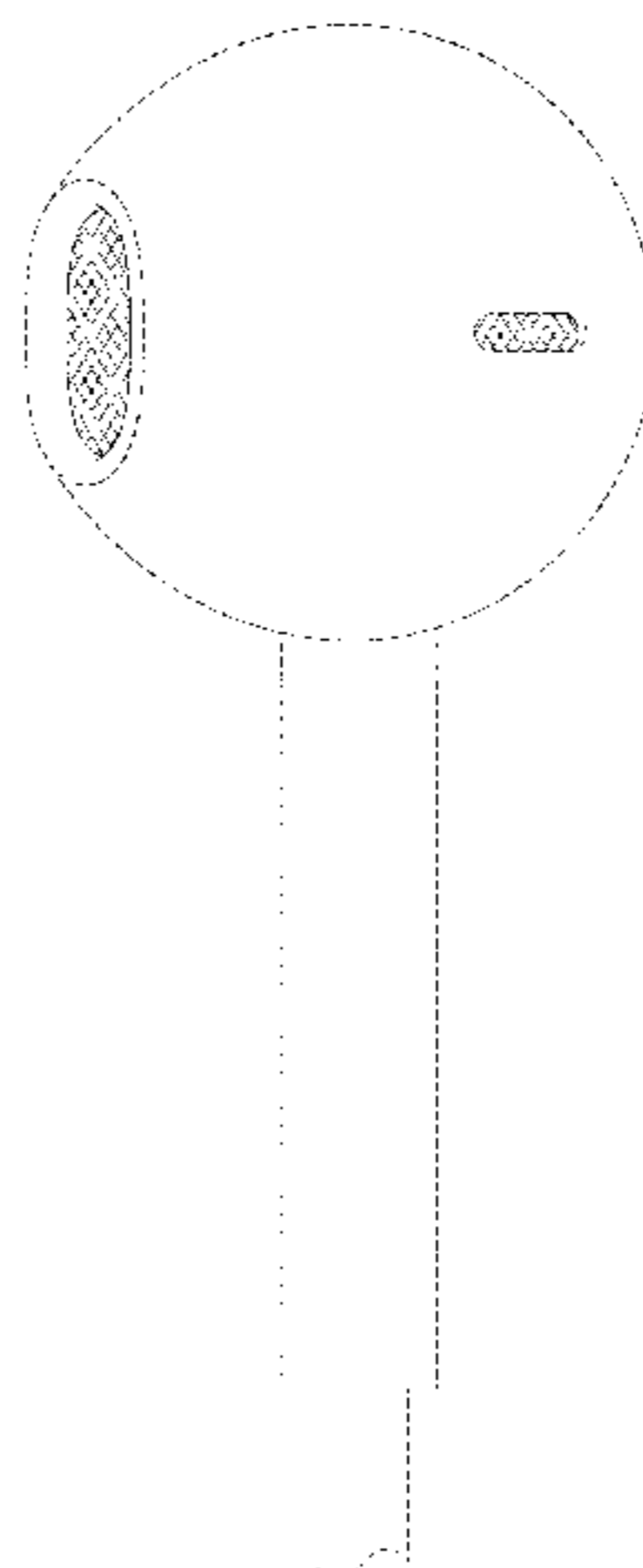
FIG. 5 is a right side view thereof;

FIG. 6 is a left side view thereof;

FIG. 7 is a top view thereof; and,

FIG. 8 is a bottom view thereof.

(Continued)



The broken lines in the figures show portions of the ear-  
phone that form no part of the claimed design.

**1 Claim, 5 Drawing Sheets**

**Related U.S. Application Data**

which is a continuation of application No. 29/493,  
749, filed on Jun. 12, 2014, now Pat. No. Des.  
732,008, which is a continuation of application No.  
29/453,449, filed on Apr. 29, 2013, now Pat. No. Des.  
707,206, which is a continuation of application No.  
29/431,563, filed on Sep. 8, 2012, now Pat. No. Des.  
681,015.

(58) **Field of Classification Search**

USPC ..... 128/866; 181/128, 129, 130, 135;  
379/430, 431; 381/380, 381, 370, 322,  
381/371, 327, 328, 374, 325, 324;  
455/90.3, 575.1, 569.1, 575.8  
CPC ..... H04R 1/10; H04R 25/00; H04R 1/1066;  
H04R 1/1016; H04R 5/033; H04R  
5/0335; H04R 1/1091; H04R 1/1083  
See application file for complete search history.

(56) **References Cited**

U.S. PATENT DOCUMENTS

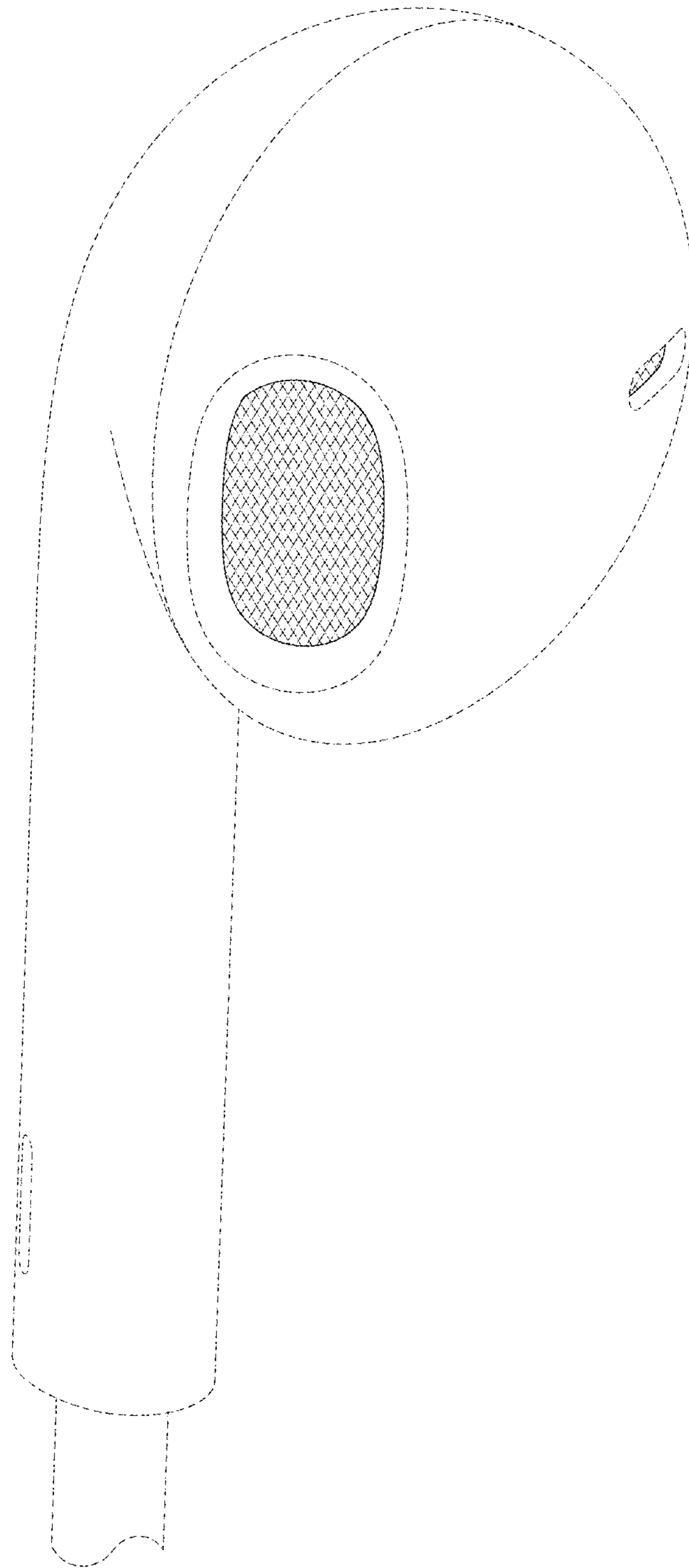
2,595,489	A	5/1952	Rutter et al.	
3,019,854	A *	2/1962	O'Bryant	B01D 46/10 29/432
3,368,644	A	2/1968	Henderson	
4,244,096	A *	1/1981	Kashichi	B23P 11/00 181/199
4,532,649	A	7/1985	Bellafiore	
4,672,672	A	6/1987	Eggert et al.	
4,677,675	A	6/1987	Killion et al.	
4,736,430	A	4/1988	Schroder	
4,965,838	A	10/1990	Kamon et al.	
D317,768	S *	6/1991	Davidson	D14/216
D331,057	S	11/1992	Isonaga	
D337,118	S	7/1993	Seikita	
D344,800	S	3/1994	Lamby	
D353,379	S	12/1994	Nakamura et al.	
5,420,935	A	5/1995	Shinohara et al.	
D389,152	S *	1/1998	Kurihara	D14/215
D395,898	S *	7/1998	Suzuki	D14/219
D410,079	S	5/1999	Falco et al.	
6,122,369	A	9/2000	Hwang et al.	
D469,753	S	2/2003	Andre et al.	
6,690,807	B1	2/2004	Meyer	
D488,460	S	4/2004	Alwicker et al.	
6,731,772	B1	5/2004	Byun	
D499,397	S	12/2004	Hlas et al.	
D505,132	S	5/2005	Linville et al.	
D506,744	S	6/2005	Andre et al.	
D515,070	S	2/2006	Andre et al.	
D518,008	S	3/2006	Peng	
D523,846	S	6/2006	Lee	
D533,868	S	12/2006	Koizumi	
D554,109	S	10/2007	Ledbetter et al.	
D557,689	S	12/2007	Huang	
D566,687	S	4/2008	Duarte et al.	
D568,291	S	5/2008	Andre et al.	
D573,977	S	7/2008	Ledbetter et al.	
D575,269	S	8/2008	Ledbetter et al.	
D578,518	S	10/2008	Ewert	

D579,923	S	11/2008	Andre et al.	
D587,677	S	3/2009	Andre et al.	
D589,491	S	3/2009	Andre et al.	
D589,498	S	3/2009	Komiyama	
D590,375	S	4/2009	Komiyama	
D593,537	S	6/2009	Arimoto	
D596,616	S	7/2009	Andre et al.	
D599,330	S	9/2009	Andre et al.	
D601,134	S	9/2009	Elabidi et al.	
D616,874	S	6/2010	Matsuoka	
D618,209	S	6/2010	Andre et al.	
D618,210	S	6/2010	Andre et al.	
D618,219	S	6/2010	Burgett et al.	
D622,265	S	8/2010	Rye	
D623,180	S *	9/2010	Diebel	D14/250
D626,948	S	11/2010	Nault	
D627,766	S	11/2010	Arimoto	
D628,193	S	11/2010	Zheng	
D632,282	S	2/2011	Kitayama	
D633,086	S	2/2011	Chen	
D635,960	S	4/2011	Gondo et al.	
D639,279	S	6/2011	Andre et al.	
D652,823	S *	1/2012	Chen	D14/223
D656,481	S	3/2012	McManigal	
D662,493	S	6/2012	Chen	
D662,495	S	6/2012	Andre et al.	
D664,523	S	7/2012	Naitou	
D666,580	S	9/2012	Lee et al.	
D669,058	S	10/2012	Lee et al.	
D669,453	S	10/2012	Katsuraku et al.	
D674,781	S	1/2013	Sakata	
D675,194	S	1/2013	Andre et al.	
8,345,912	B2	1/2013	Akihiko et al.	
D676,427	S	2/2013	Yang	
8,391,533	B2	3/2013	Sim et al.	
D681,015	S	4/2013	Akana et al.	
D687,419	S	8/2013	Andre et al.	
8,515,116	B2	8/2013	Lee	
D691,594	S	10/2013	Akana et al.	
D694,220	S	11/2013	Lee et al.	
D706,643	S	6/2014	Akana et al.	
D707,206	S *	6/2014	Akana	H04R 1/10 D14/223
8,800,712	B2	8/2014	Campbell et al.	
D712,279	S	9/2014	Akana et al.	
D718,284	S	11/2014	Shibusawa	
D718,285	S	11/2014	Shibusawa	
8,965,030	B2	2/2015	Aase	
D728,533	S	5/2015	Poulsen et al.	
D732,007	S	6/2015	Oksman et al.	
D732,008	S	6/2015	Akana et al.	
D733,101	S	6/2015	Pi et al.	
D733,689	S	7/2015	Narita	
D747,295	S	1/2016	Eastwood et al.	
D755,759	S	5/2016	Cai	
D769,849	S *	10/2016	Akana	H04R 1/10 D14/223
2012/0155692	A1	6/2012	Chen	
2012/0237074	A1	9/2012	Aase	
2013/0004011	A1	1/2013	Hayashida et al.	
2013/0343595	A1	12/2013	Zorkendorfer et al.	

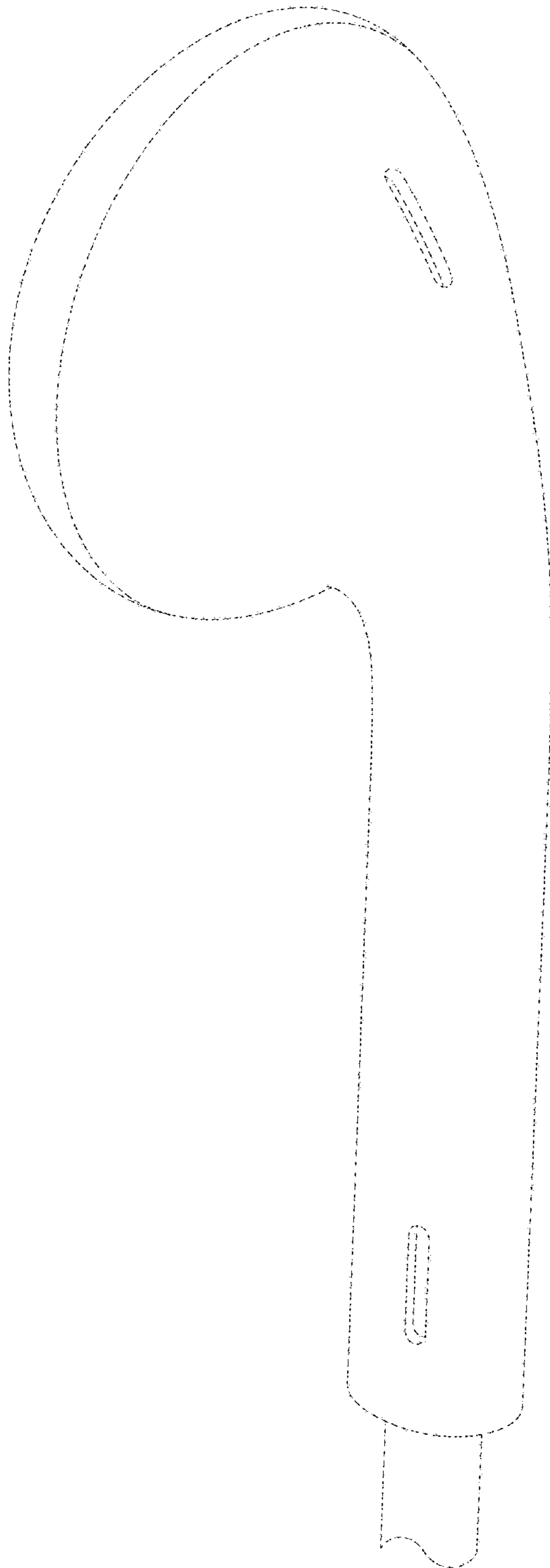
OTHER PUBLICATIONS

“Philips SHE2650/37 In-Ear Earbuds with Twin Vents,” Shop-  
pingNexus.com, accessed at <http://www.shoppingnexus.com/electronics/pr/philips-she265037-in-ear-earbuds-with-twin-vents1.html>, last accessed on Jan. 31, 2013; 1 page.  
U.S. Appl. No. 29/473,938, filed Nov. 27, 2013; Andre et al.  
U.S. Appl. No. 29/581,784, filed Oct. 21, 2016; Akana et al.

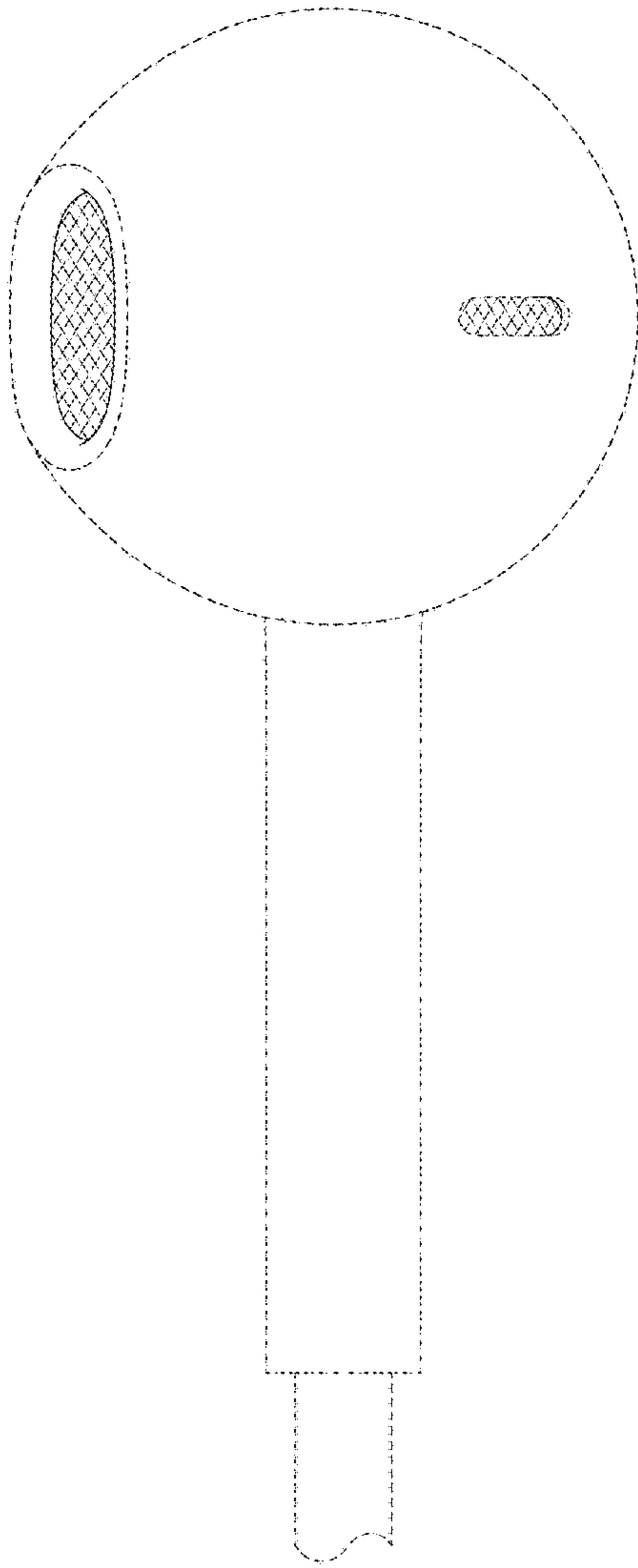
\* cited by examiner



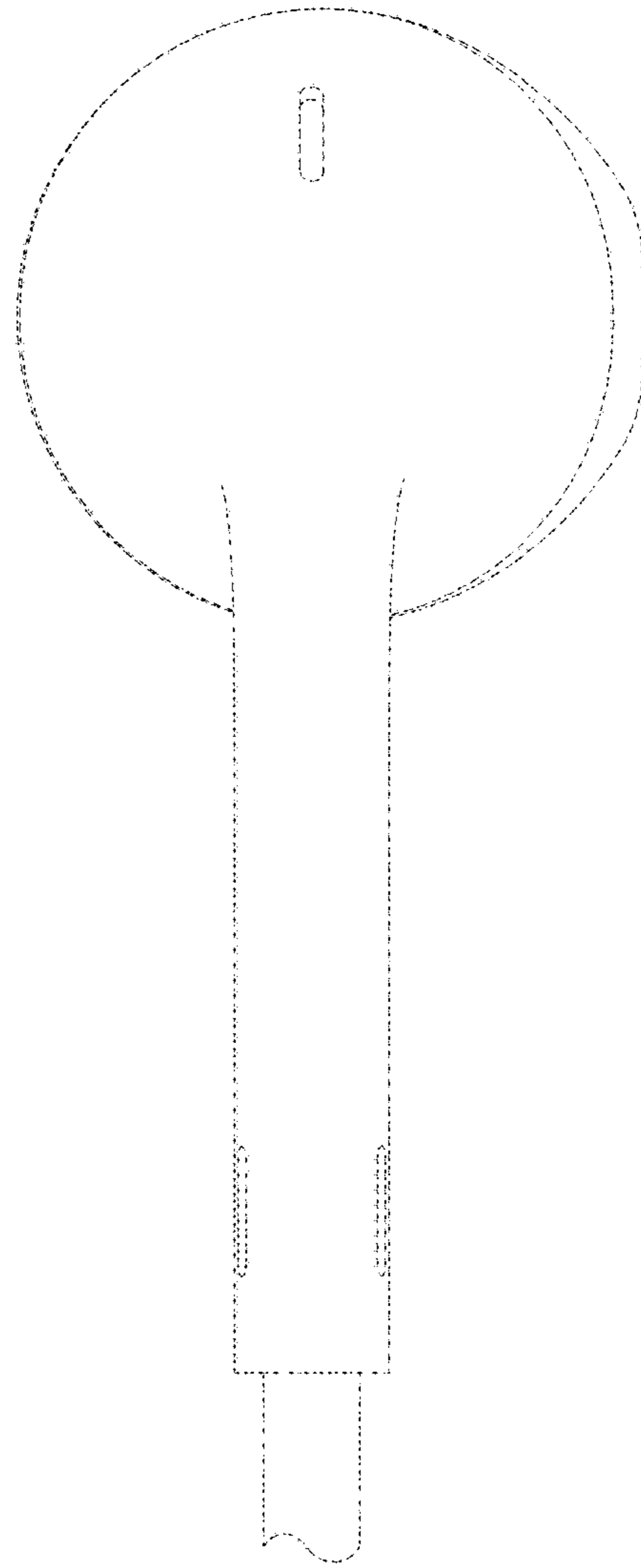
**FIG. 1**



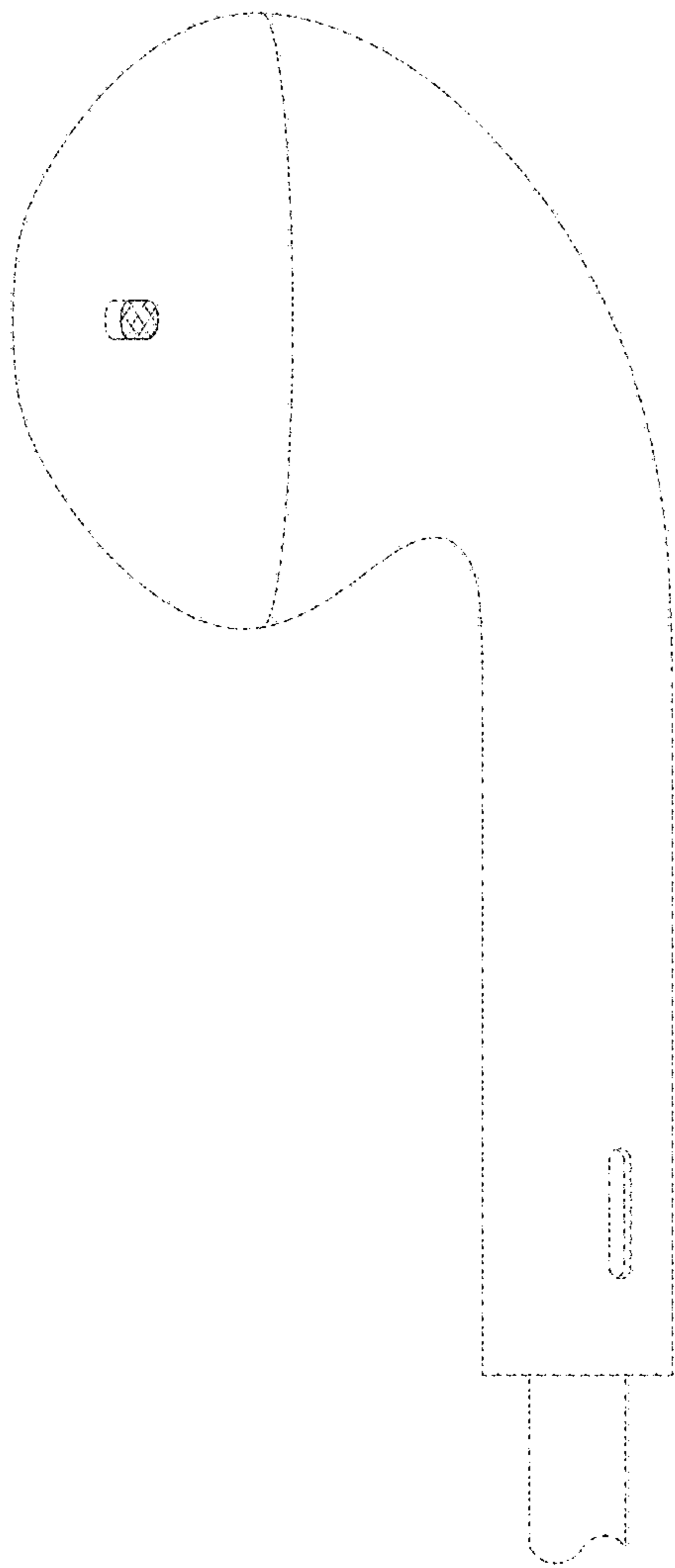
**FIG. 2**



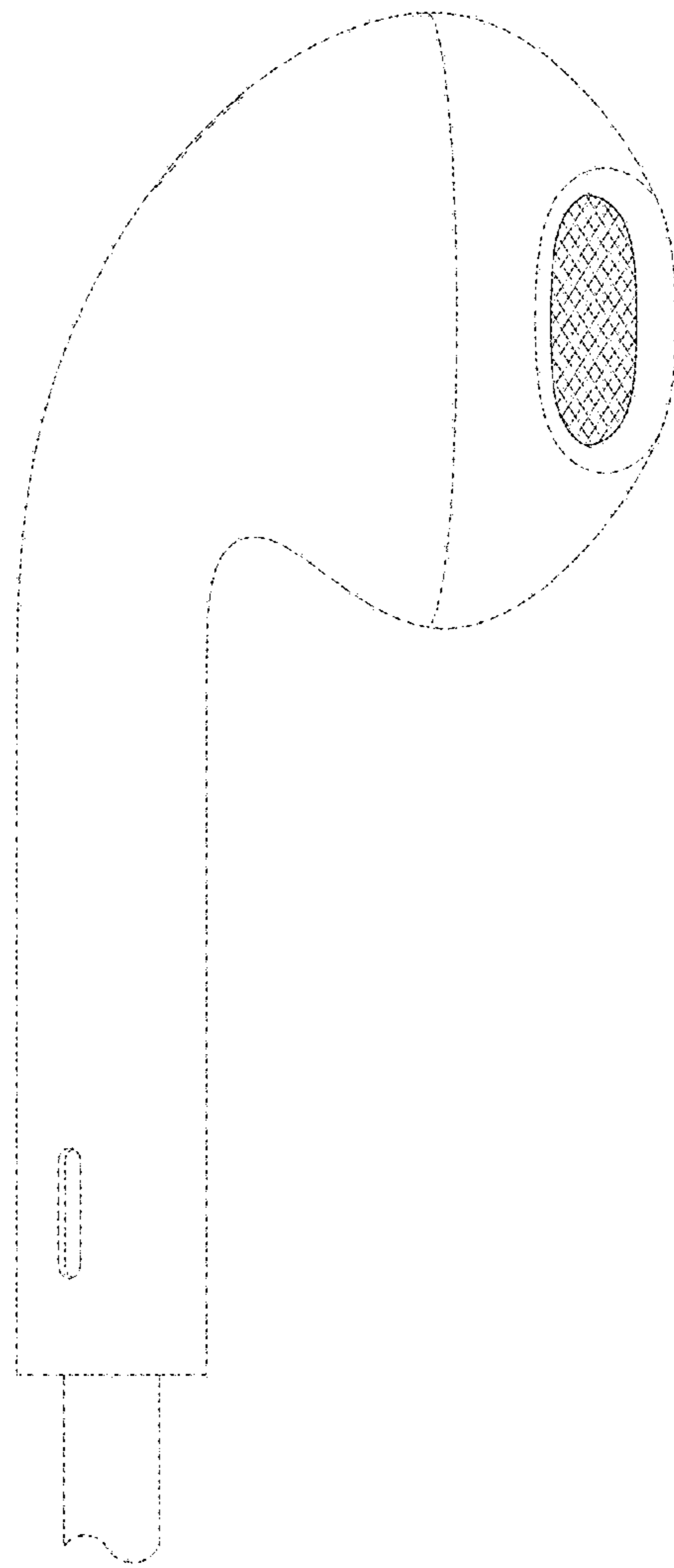
**FIG. 3**



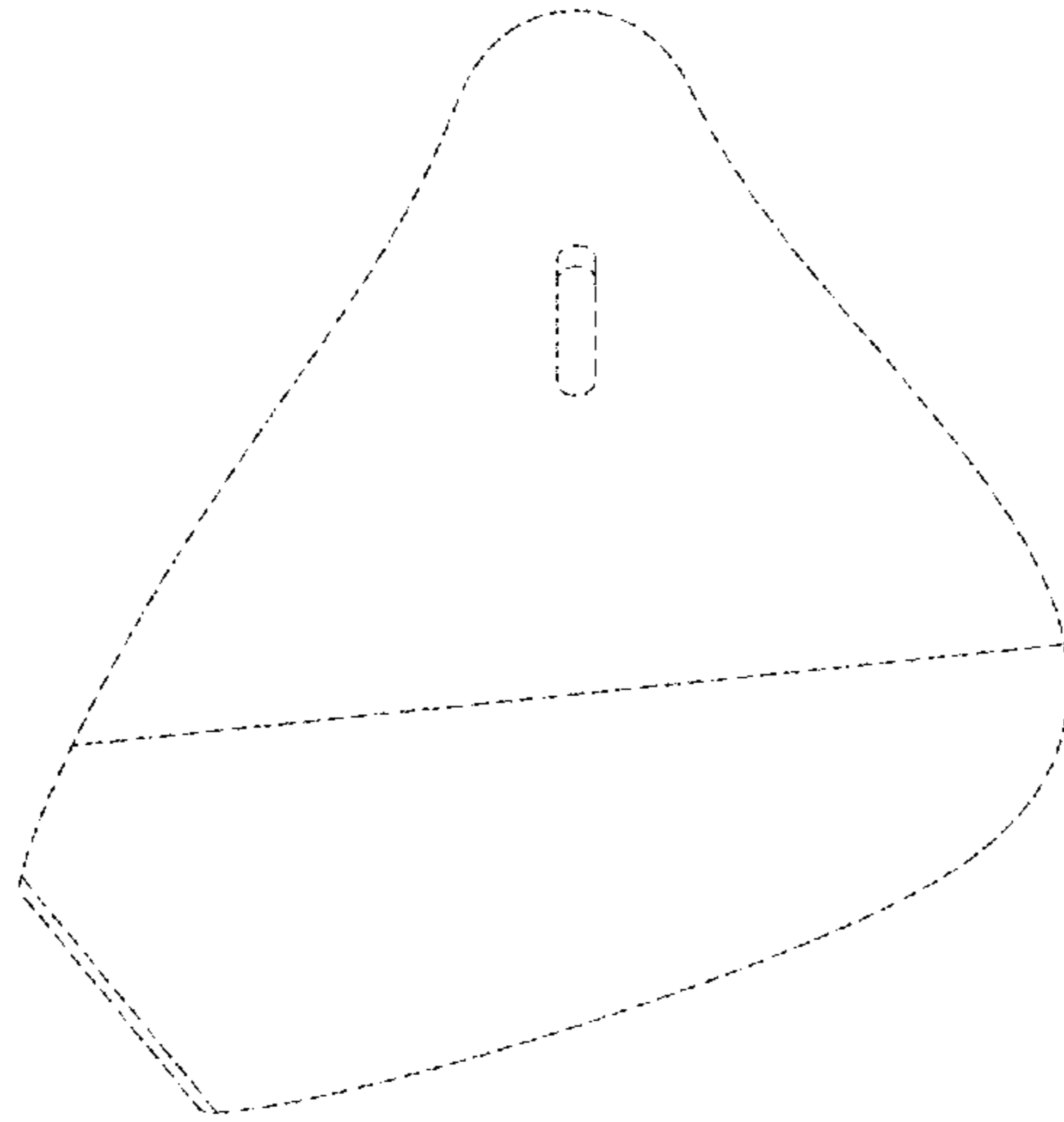
**FIG. 4**



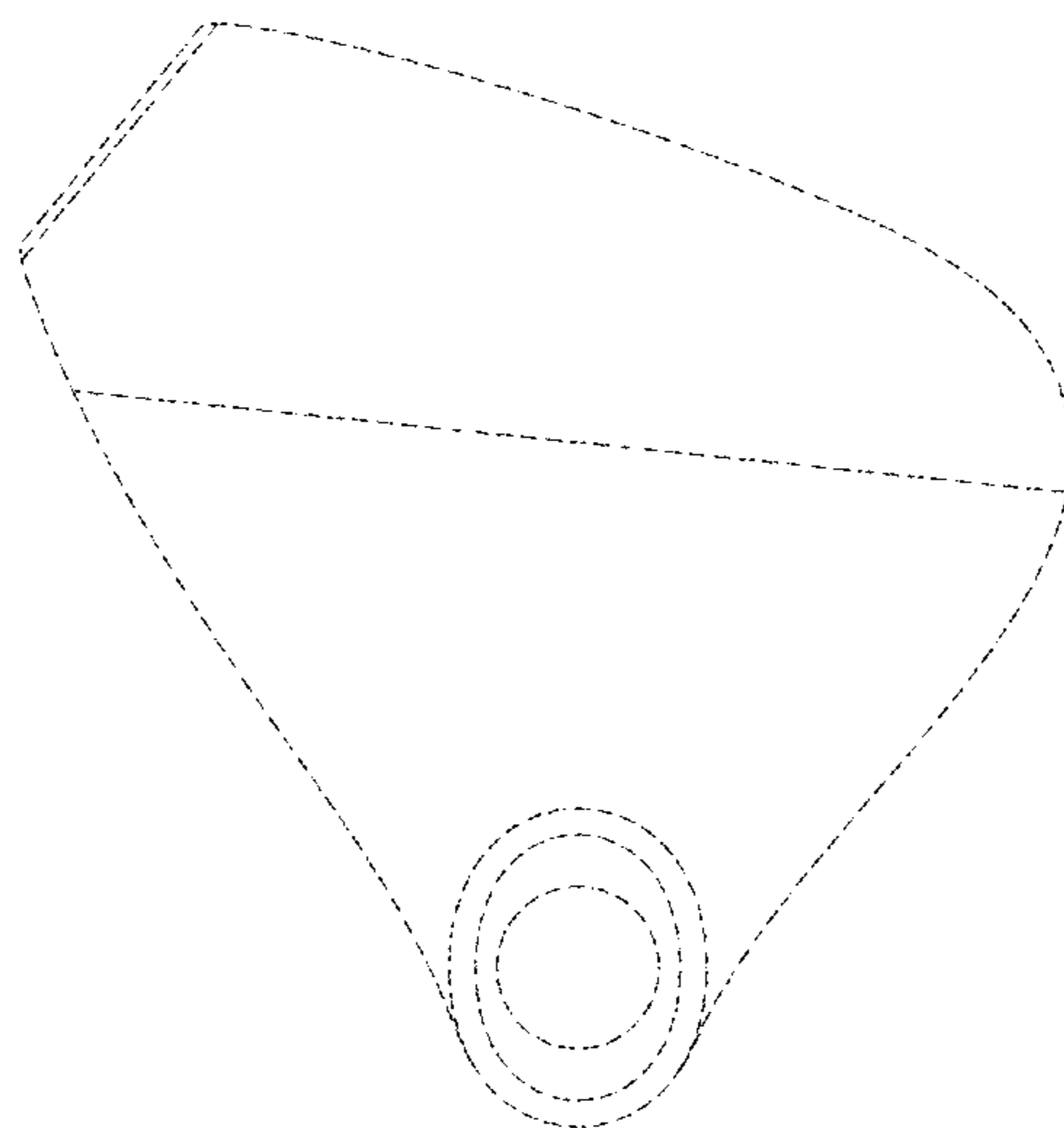
**FIG. 5**



**FIG. 6**



**FIG. 7**



**FIG. 8**

UNITED STATES PATENT AND TRADEMARK OFFICE  
**CERTIFICATE OF CORRECTION**

PATENT NO. : D820,809 S  
APPLICATION NO. : 29/581785  
DATED : June 19, 2018  
INVENTOR(S) : Akana et al.

Page 1 of 1

It is certified that error appears in the above-identified patent and that said Letters Patent is hereby corrected as shown below:

On the Title Page

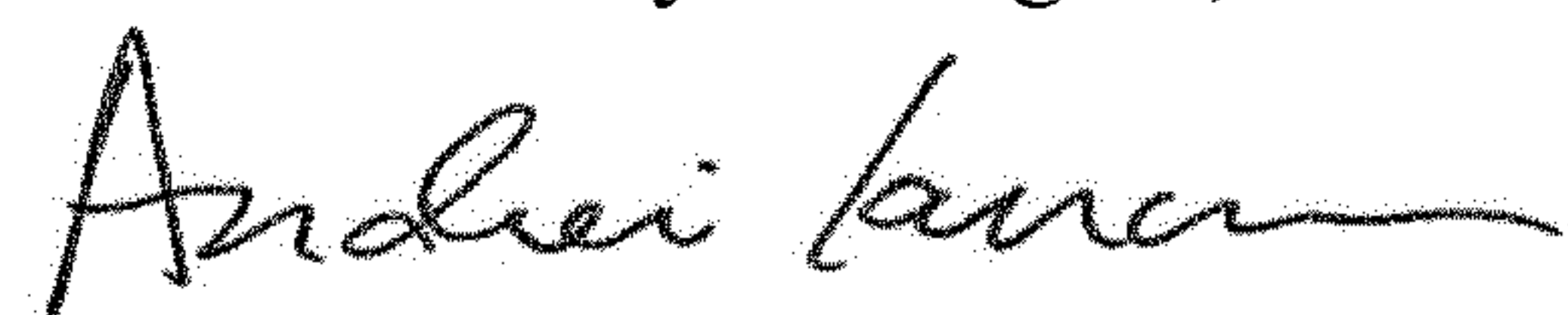
In the "Related U.S. Application Data" Item (63), please change the first line from:

"Continuation-in-part of application No. 29/530,281,"

To:

--"Continuation of application No. 29/530,281,"--.

Signed and Sealed this  
Seventh Day of August, 2018



Andrei Iancu  
*Director of the United States Patent and Trademark Office*