



US00D820808S

(12) **United States Design Patent**
Petersen et al.

(10) **Patent No.:** **US D820,808 S**
(45) **Date of Patent:** **** Jun. 19, 2018**

- (54) **HEADPHONE HEADSET**
- (71) Applicant: **Zound Industries International AB**,
Stockholm (SE)
- (72) Inventors: **Erik Petersen**, Stockholm (SE);
Marcus von Euler, Stockholm (SE)
- (73) Assignee: **Zound Industries International AB**,
Stockholm (SE)
- (**) Term: **15 Years**
- (21) Appl. No.: **29/556,735**
- (22) Filed: **Mar. 2, 2016**
- (51) **LOC (11) Cl.** **14-01**
- (52) **U.S. Cl.**
USPC **D14/205; D14/223**
- (58) **Field of Classification Search**
USPC D14/223, 205; 181/129, 130, 135;
381/380, 381, 374, 364, 74; 455/90.3,
455/575.1, 569.1; 379/430, 431
CPC H04R 1/10; H04R 25/00; H04R 1/105;
H04R 1/1016; H04R 1/1066; H04R
1/1033
See application file for complete search history.

5,420,935	A *	5/1995	Shinohara	H04R 1/1016 379/431
5,809,159	A *	9/1998	Lee	H04M 1/05 381/174
D402,661	S *	12/1998	Hayashi	D14/223
6,122,369	A *	9/2000	Hwang	H04M 1/6058 379/420.03
D463,789	S *	10/2002	DeKalb	D14/223
D487,077	S *	2/2004	Obata	D14/223
D515,070	S *	2/2006	Andre	D14/205
D533,868	S *	12/2006	Koizumi	D14/223
D554,109	S *	10/2007	Ledbetter	D14/223
D599,785	S *	9/2009	Matsuda	D14/205
D601,126	S *	9/2009	Christopher	D14/206
D623,630	S *	9/2010	Ohuri	D14/223
D626,117	S *	10/2010	Lowry	D14/223
D654,056	S *	2/2012	Hoggarth	D14/205
D660,289	S *	5/2012	Lee	D14/223
D666,581	S *	9/2012	Perez	D14/223
8,406,448	B2 *	3/2013	Lin	H04R 1/1091 381/332

(Continued)

Primary Examiner — Paula Allen Greene
(74) *Attorney, Agent, or Firm* — Alonzo & Associates;
Arlyn Alonzo

(57) **CLAIM**

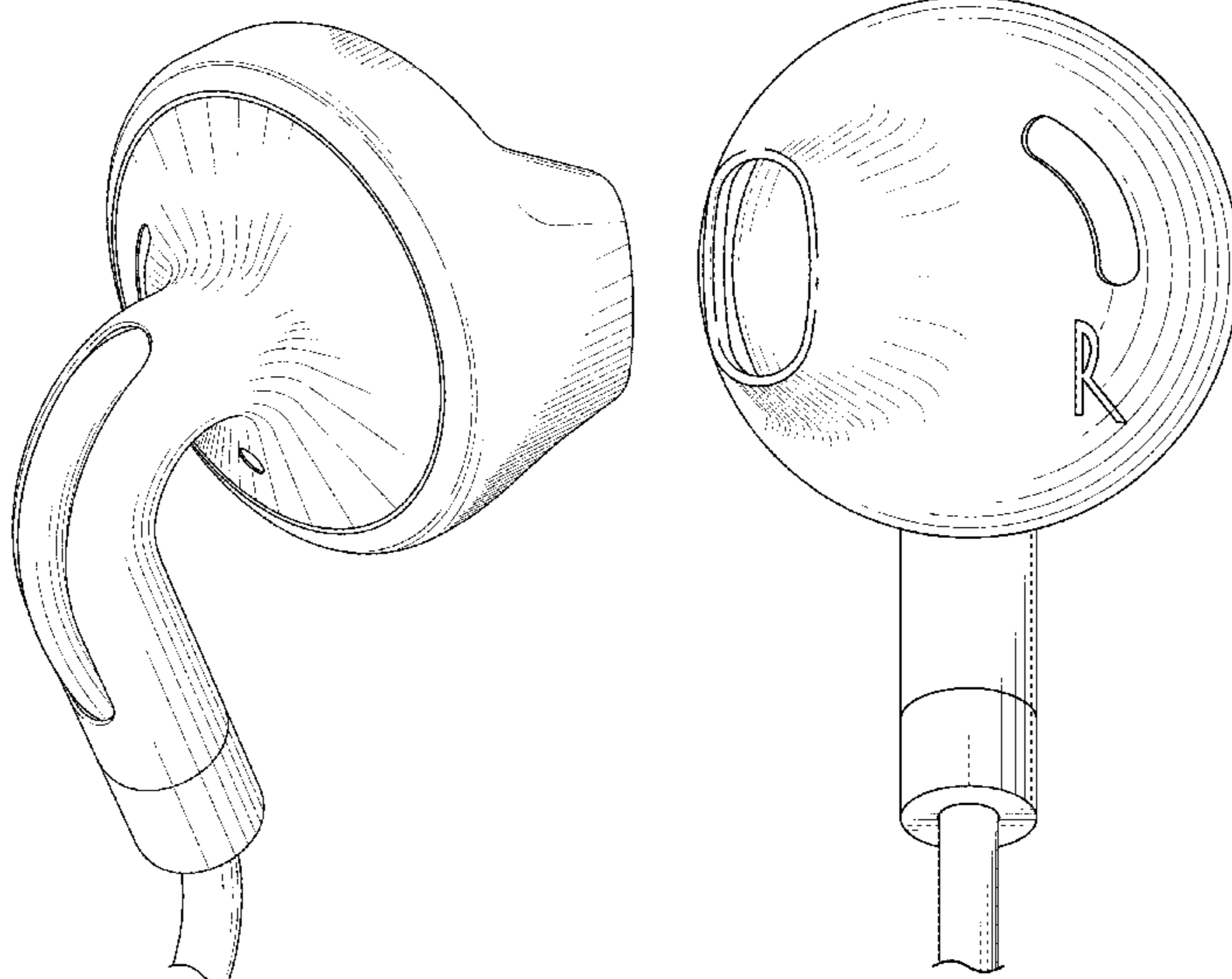
The ornamental design for a headphone headset, as shown and described.

DESCRIPTION

FIG. 1 is a perspective view of a headphone headset.
FIG. 2 is a front view thereof.
FIG. 3 is a back view thereof.
FIG. 4 is a right side view thereof.
FIG. 5 is a left side view thereof.
FIG. 6 is a top view thereof;
FIG. 7 is a bottom view thereof; and,
FIG. 8 is a second embodiment of a front view thereof.

1 Claim, 8 Drawing Sheets

- (56) **References Cited**
U.S. PATENT DOCUMENTS
2,148,477 A * 2/1939 Koch H04R 25/606
181/400
4,972,492 A * 11/1990 Tanaka H04R 1/1016
181/130
D331,061 S * 11/1992 Hyohgo D14/223
D331,062 S * 11/1992 Kanno D14/223
D337,118 S * 7/1993 Seikita D14/223
D337,589 S * 7/1993 Wada D14/223
D353,379 S * 12/1994 Nakamura D14/223
5,410,608 A * 4/1995 Lucey H04R 1/083
381/360



(56)

References Cited

U.S. PATENT DOCUMENTS

D681,015 S * 4/2013 Akana H04R 1/10
D14/223
D707,206 S * 6/2014 Akana H04R 1/10
D14/223
8,831,266 B1 * 9/2014 Huang H04R 1/1091
381/370
D719,131 S * 12/2014 Toelle D14/205
D719,132 S * 12/2014 Toelle D14/205
9,042,588 B2 * 5/2015 Aase H04R 1/1041
381/380
D733,101 S * 6/2015 Pi D14/223
D733,689 S * 7/2015 Narita D14/223
D742,355 S * 11/2015 Toelle D14/205
D742,356 S * 11/2015 Toelle D14/205
D743,370 S * 11/2015 Toelle D14/205
D743,932 S * 11/2015 Toelle D14/205
D780,157 S * 2/2017 Uggla D14/205
D781,821 S * 3/2017 Petersen D14/205
2012/0237074 A1 * 9/2012 Aase H04R 1/1016
381/380
2013/0004011 A1 * 1/2013 Hayashida H04R 1/1016
381/380

* cited by examiner

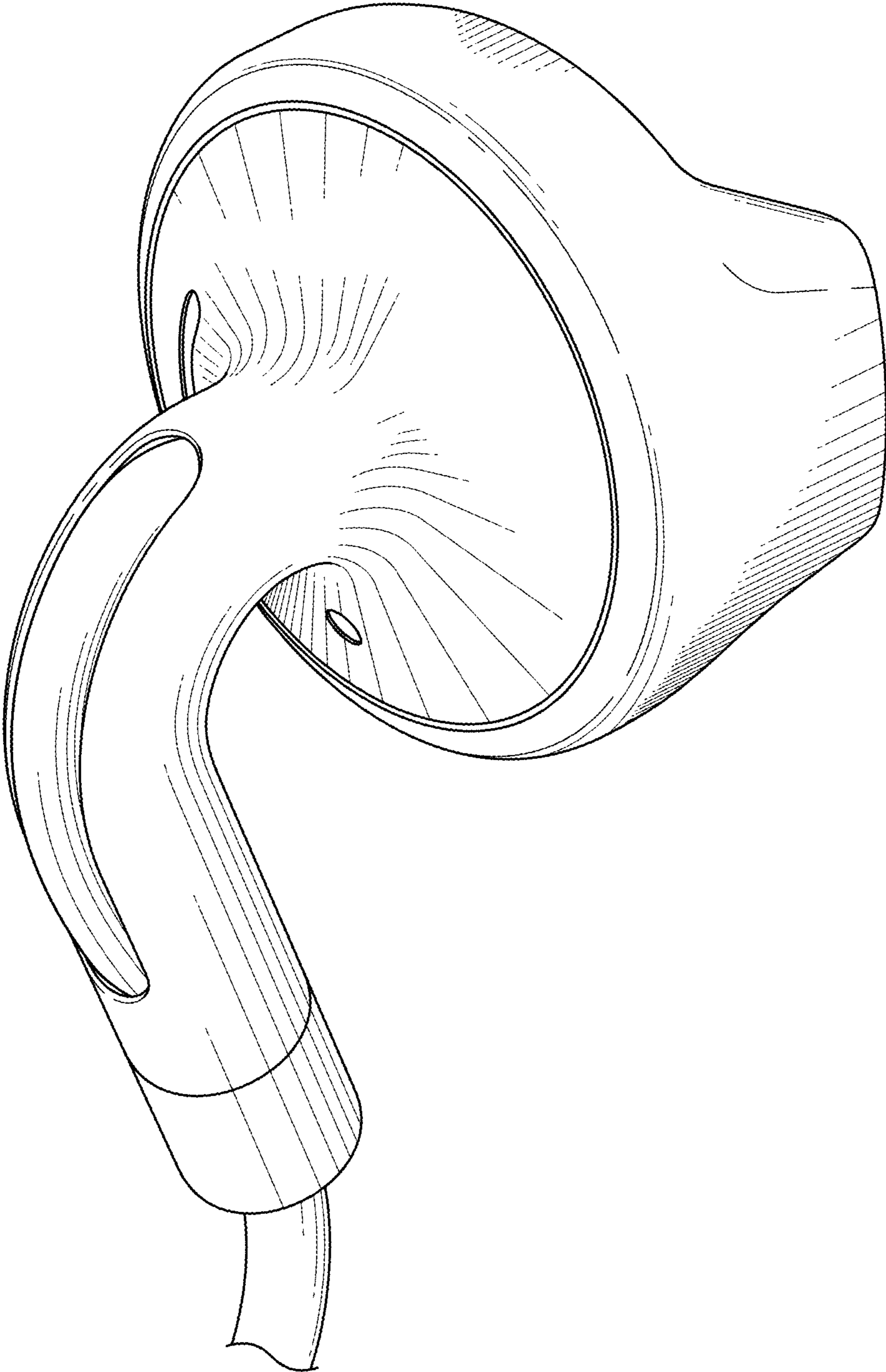


FIG. 1

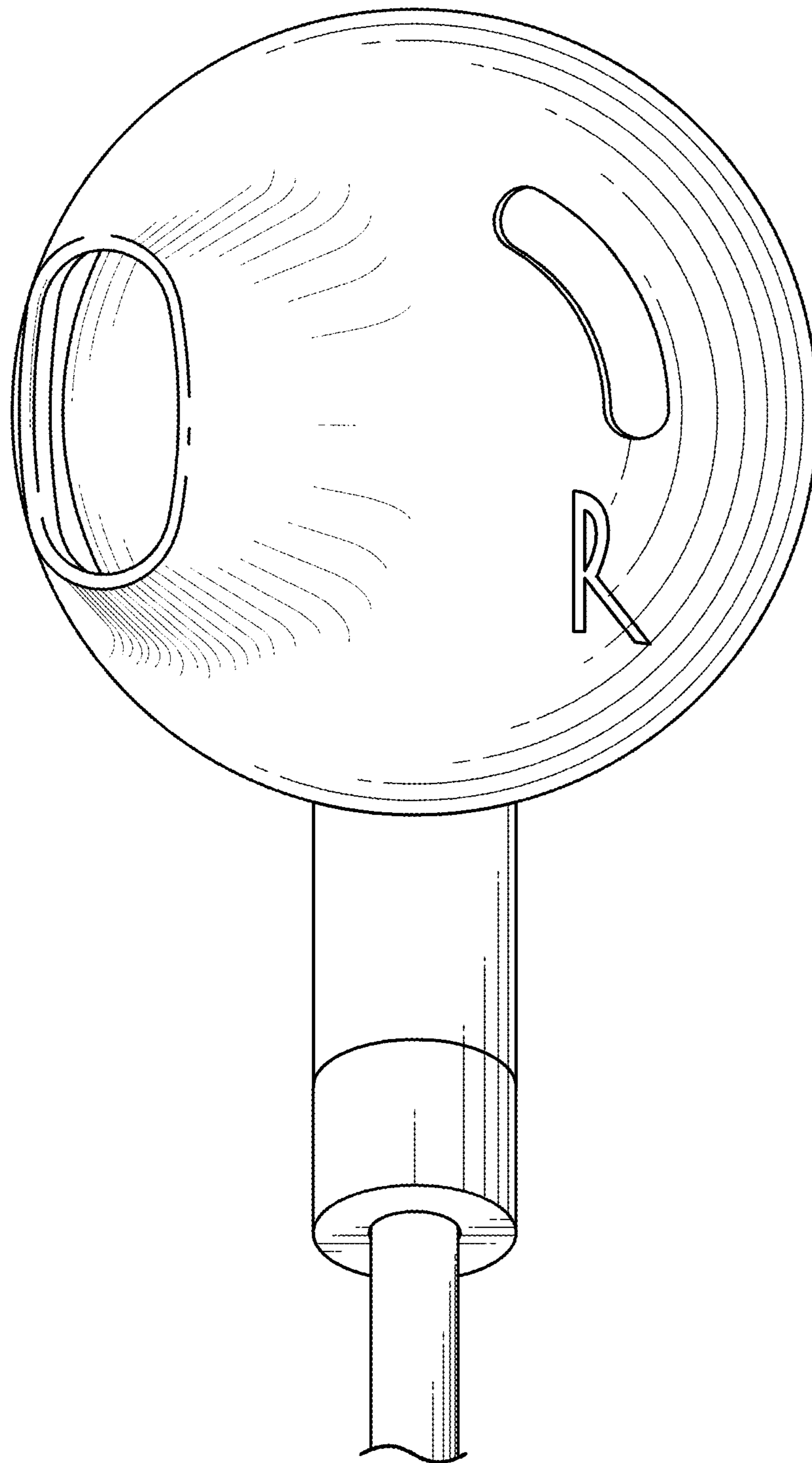


FIG. 2

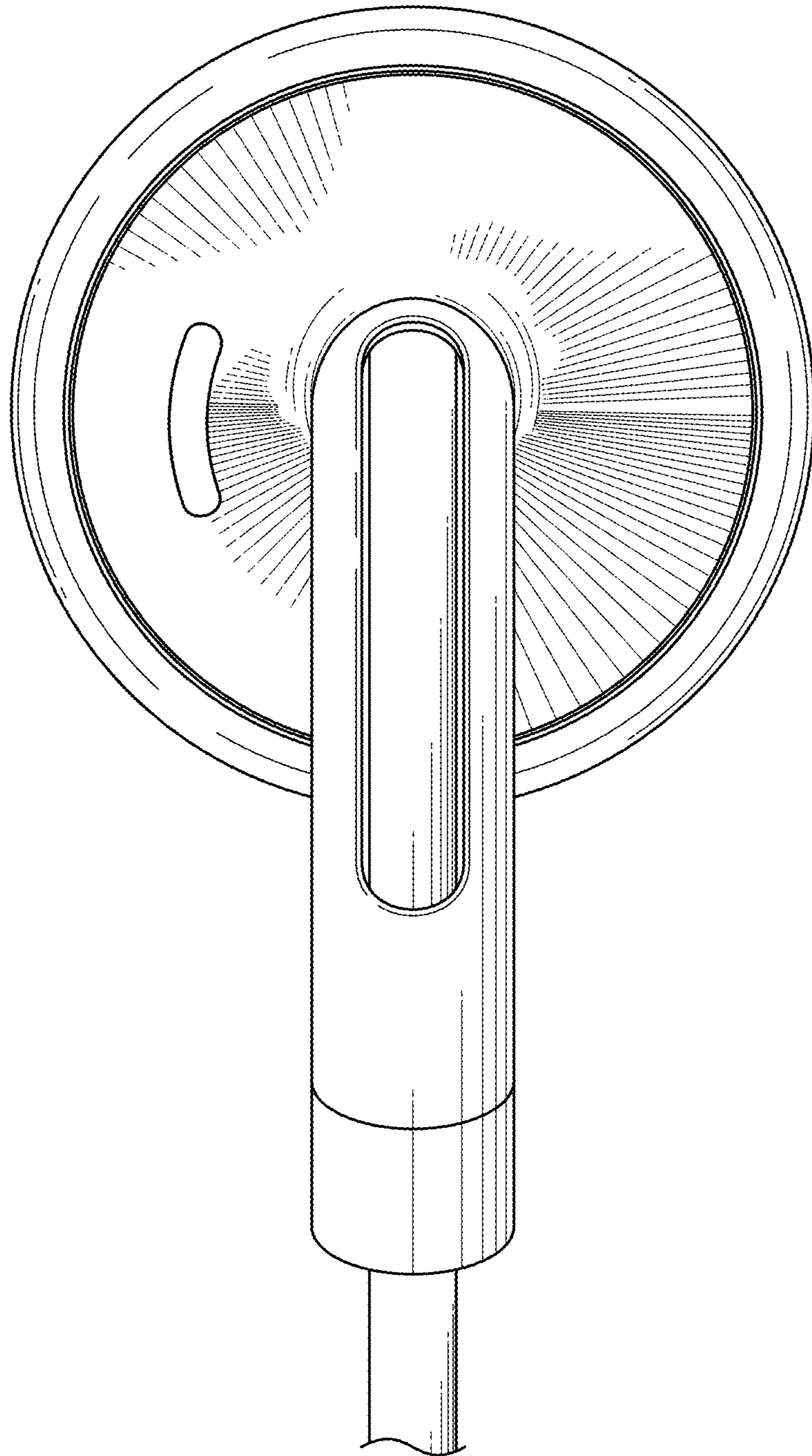


FIG. 3

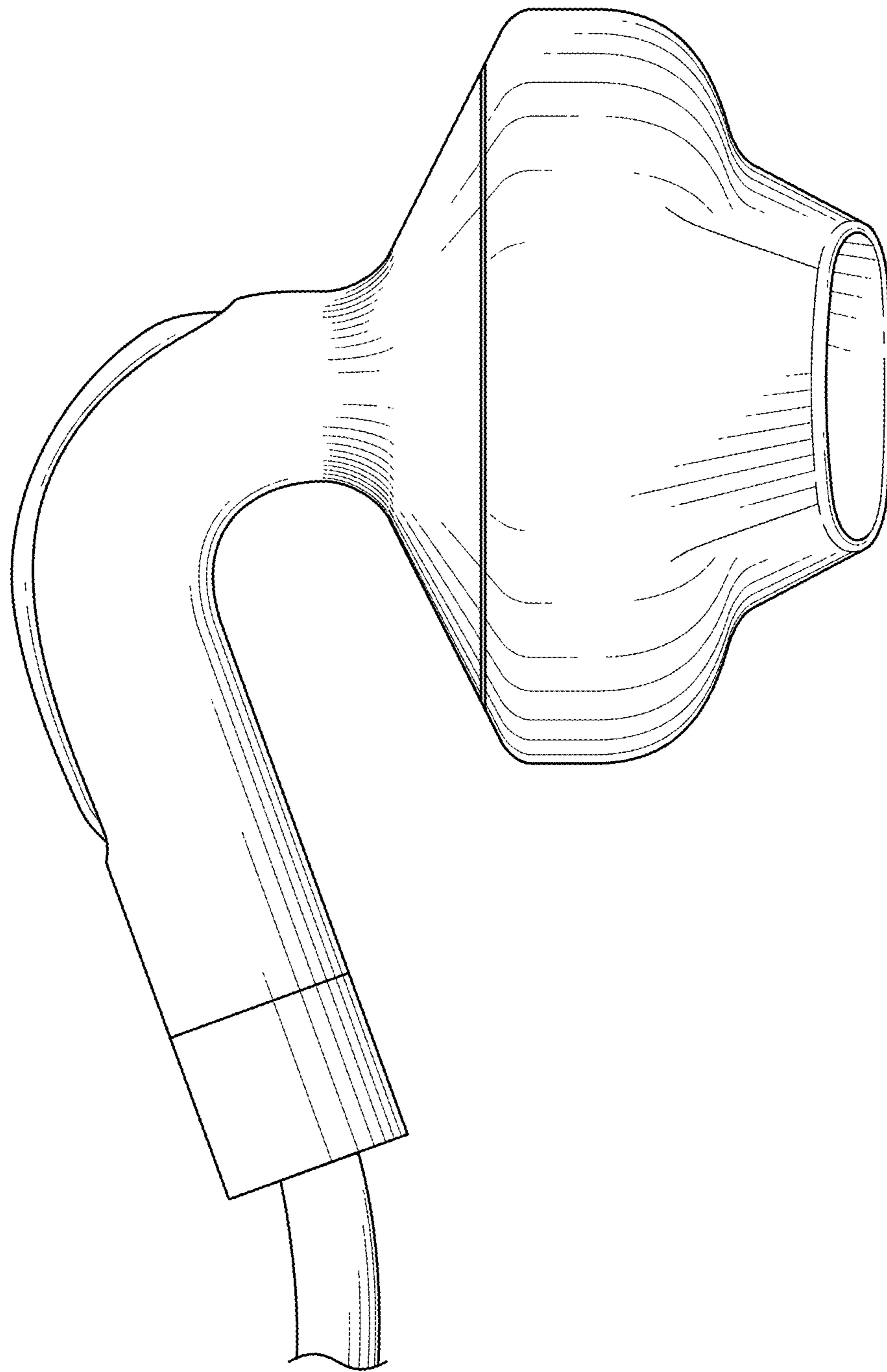


FIG. 4

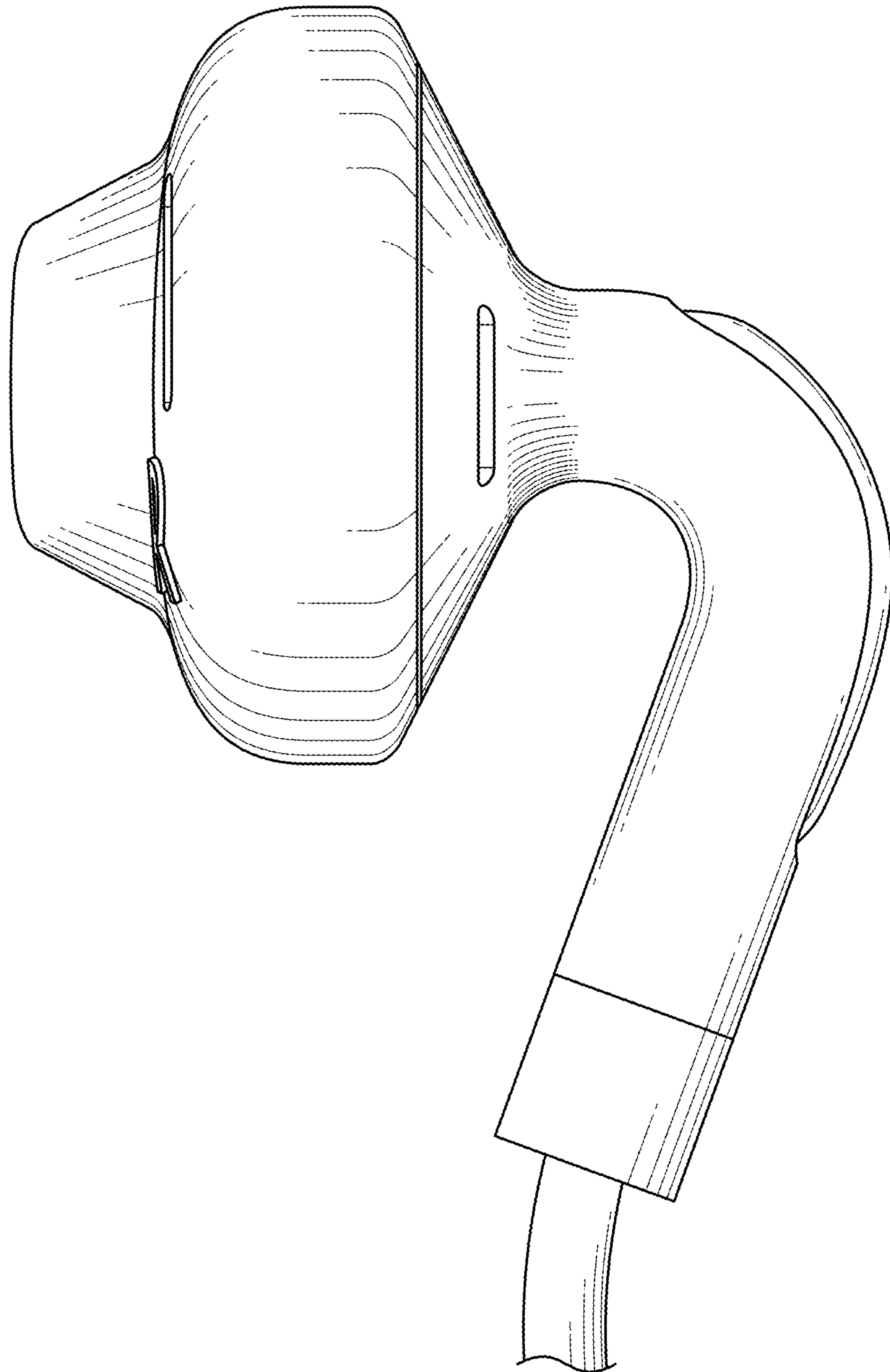


FIG. 5

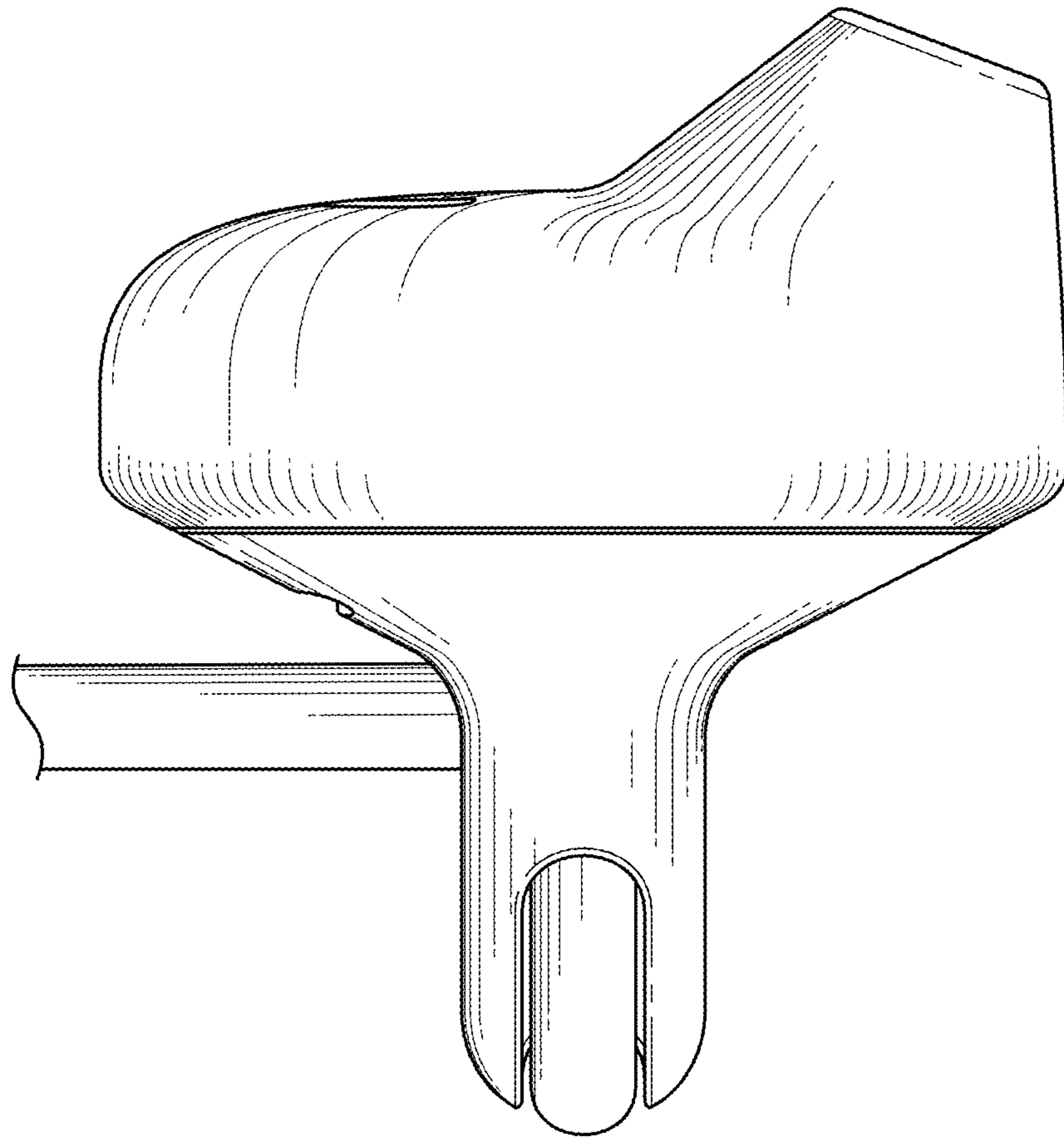


FIG. 6

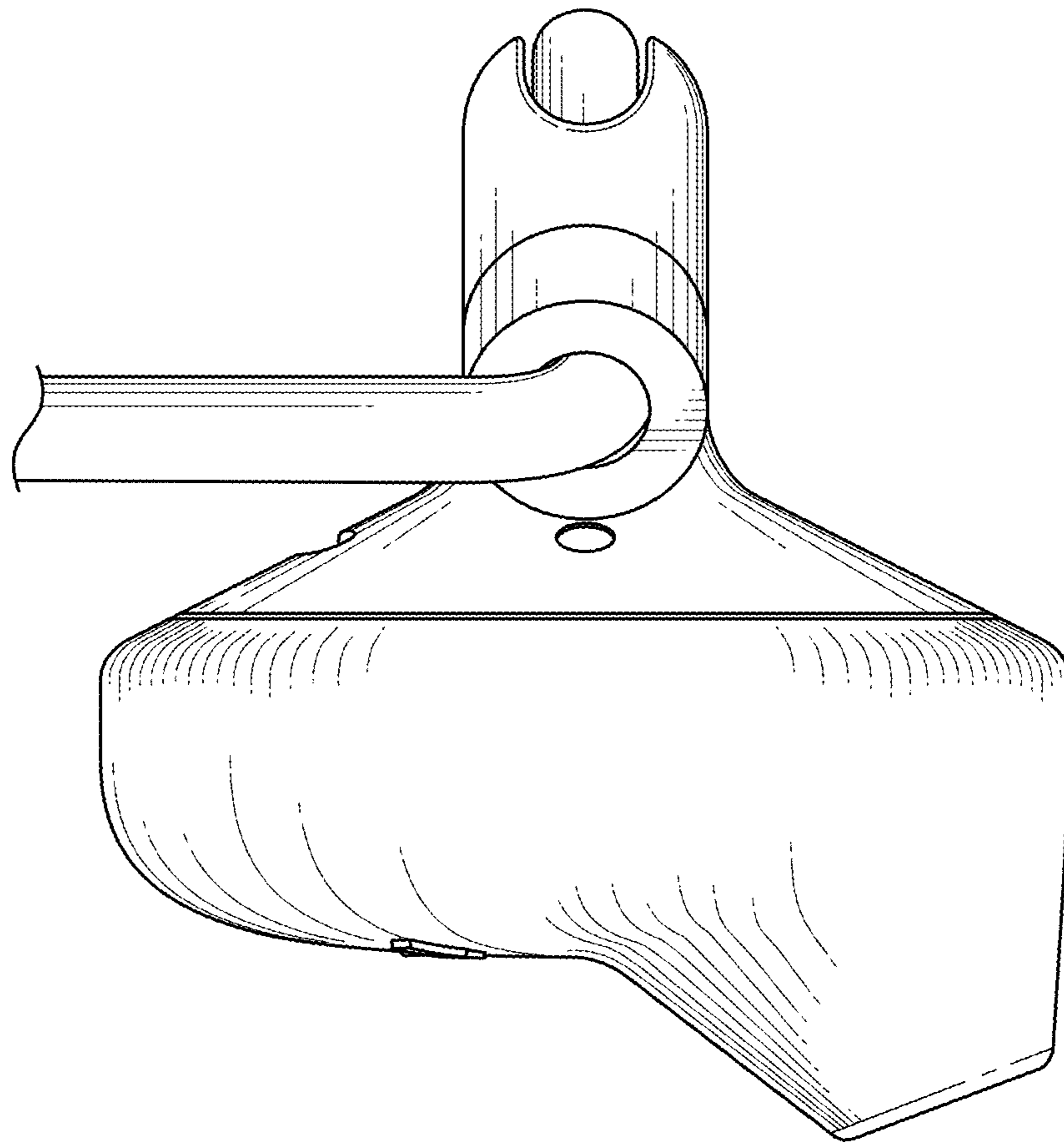


FIG. 7

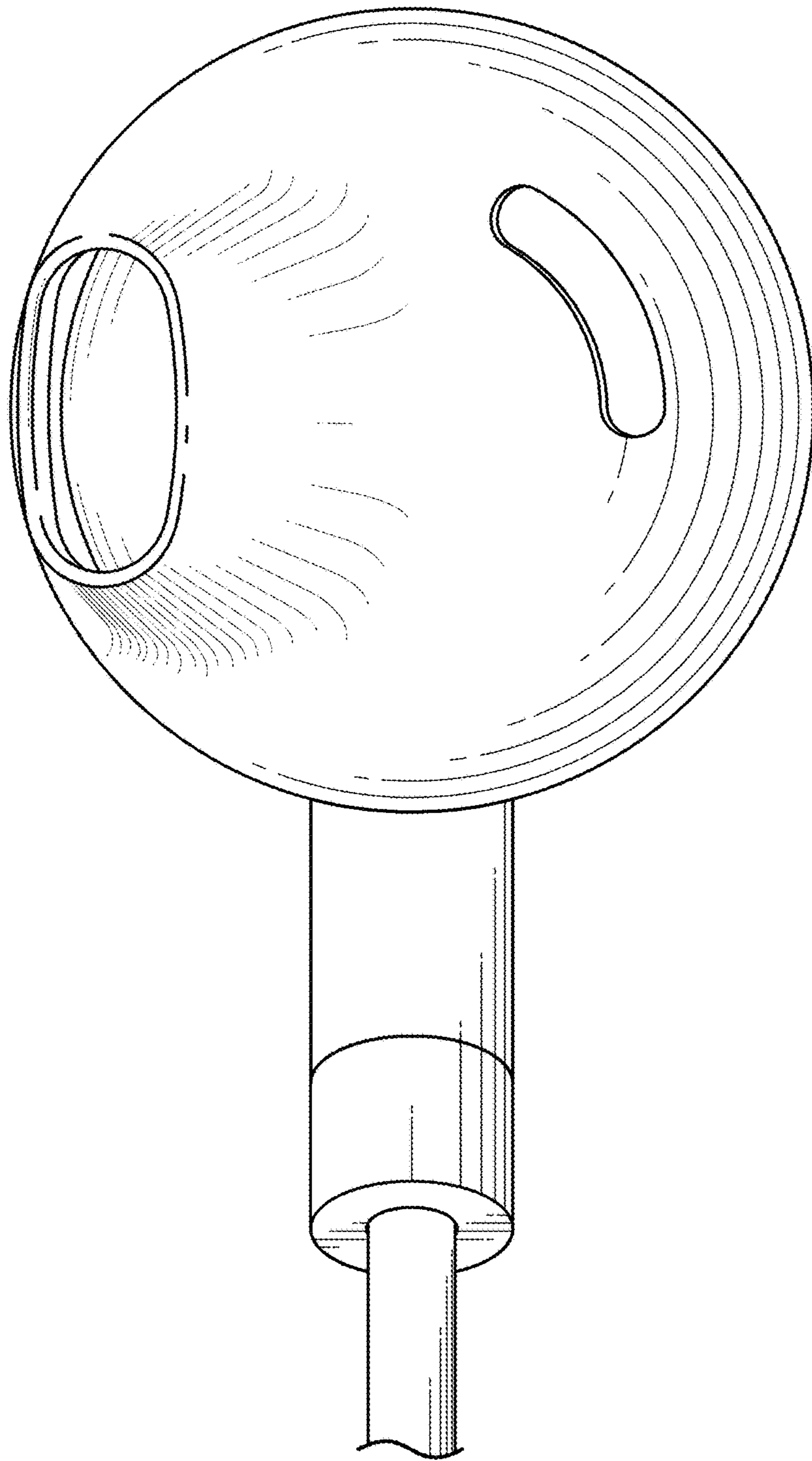


FIG. 8