



US00D820806S

(12) **United States Design Patent**  
**Larsson et al.**

(10) **Patent No.:** **US D820,806 S**  
(45) **Date of Patent:** **\*\* Jun. 19, 2018**

(54) **MAIN HOUSING UNIT FOR A SURVEILLANCE CAMERA**

(71) Applicant: **AXIS AB**, Lund (SE)

(72) Inventors: **Stefan Larsson**, Lund (SE); **Daniel Åhman**, Lomma (SE); **Morgen Bergström**, Lund (SE)

(73) Assignee: **AXIS AB**, Lund (SE)

(\*\*) Term: **15 Years**

(21) Appl. No.: **35/502,249**

(22) Filed: **Jul. 6, 2016**

(80) **Hague Agreement Data**

Int. Filing Date: **Jul. 6, 2016**

Int. Reg. No.: **DM/092042**

Int. Reg. Date: **Jul. 6, 2016**

Int. Reg. Pub. Date: **Jan. 6, 2017**

(30) **Foreign Application Priority Data**

Jan. 11, 2016 (EM) ..... 002941013

(51) **LOC (11) Cl.** ..... **14-03**

(52) **U.S. Cl.**  
USPC ..... **D14/188**

(58) **Field of Classification Search**  
USPC ..... D14/188, 496, 162, 167-169, 175, 179, D14/194-198; D13/110, 158; D10/104.1; D16/200-220  
CPC ..... G08B 13/1963; G08B 13/19619; G08B 13/19632; G03B 17/02  
See application file for complete search history.

(56) **References Cited**

**U.S. PATENT DOCUMENTS**

D296,695 S \* 7/1988 Siegel ..... D14/194  
D305,881 S \* 2/1990 Bergeron ..... D10/106.1  
D312,611 S \* 12/1990 Watson ..... D13/158

D319,406 S \* 8/1991 Smith ..... D10/104.1  
D398,304 S \* 9/1998 Murray ..... D14/137  
D424,528 S \* 5/2000 Dernehl ..... D13/110  
D458,905 S \* 6/2002 Jahne ..... D13/158  
D535,307 S \* 1/2007 Yagi ..... D14/157  
D560,617 S \* 1/2008 Poulet ..... D13/158  
D585,852 S \* 2/2009 Chen ..... D13/184  
D587,267 S \* 2/2009 Wang ..... D14/356  
D600,213 S \* 9/2009 Inoue ..... D13/133  
D603,440 S \* 11/2009 Alm ..... D16/203  
D603,887 S \* 11/2009 Alm ..... D16/203  
D609,727 S \* 2/2010 Adolfsson ..... D16/200

(Continued)

**OTHER PUBLICATIONS**

Axis Communications T81B22 30W DC 1-Port Midspan, announced 2017 [online], [site visited Dec. 18, 2017]. Available from Internet, URL: <<https://www.bhphotovideo.com/c/product/879133-REG/>

Axis\_Communications\_5023\_121\_High\_Power\_over.html>.\*

(Continued)

*Primary Examiner* — Barbara Fox  
*Assistant Examiner* — Dana K Weiland

(74) *Attorney, Agent, or Firm* — Volpe and Koenig, P.C.

(57) **CLAIM**

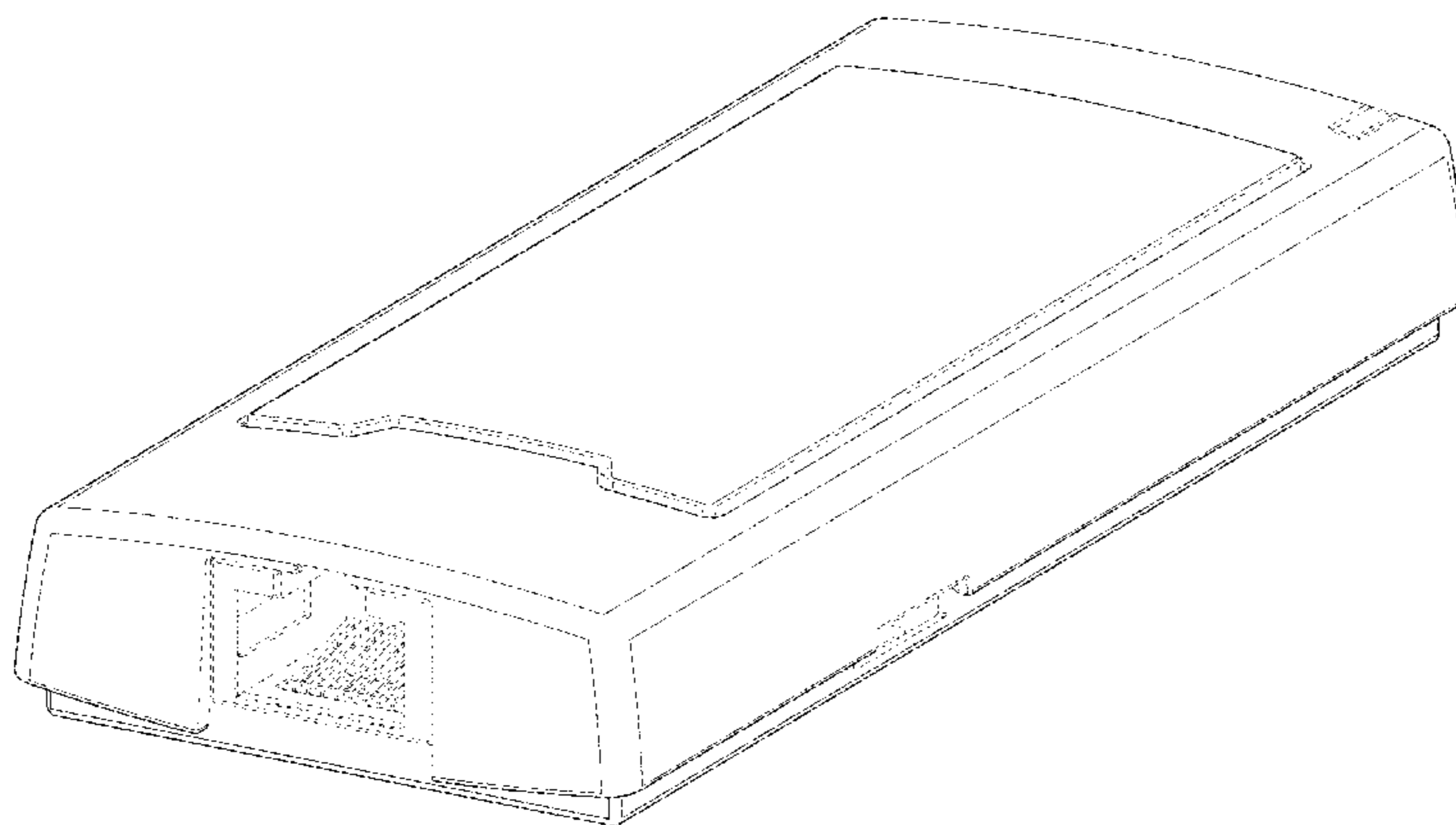
The ornamental design for a main housing unit for a surveillance camera, as shown and described.

**DESCRIPTION**

- 1. Main housing unit for a surveillance camera
- 1.1: Perspective
- 1.2: Top
- 1.3 Right
- 1.4: Bottom
- 1.5: Left
- 1.6: Rear view
- 1.7: Front

The broken lines shown in the drawings depict portions of the main housing unit for a surveillance camera that form no part of the claimed design.

**1 Claim, 7 Drawing Sheets**



(56)

**References Cited**

## U.S. PATENT DOCUMENTS

D662,052 S \* 6/2012 Rucareanu ..... D13/110  
D665,348 S \* 8/2012 Ledbetter ..... D13/110  
D686,152 S \* 7/2013 Lee ..... D13/103  
8,541,985 B1 \* 9/2013 Wong ..... G06F 1/1632  
320/140  
D693,798 S \* 11/2013 Chuang ..... D14/240  
D705,719 S \* 5/2014 Wong ..... D13/103  
D754,627 S \* 4/2016 Fustino ..... D14/188  
D762,168 S \* 7/2016 Sandoval ..... D13/107  
D764,957 S \* 8/2016 Bhattacharya ..... D10/104.1  
D766,864 S \* 9/2016 Tani ..... D14/159  
D767,529 S \* 9/2016 Yang ..... D14/188  
D773,328 S \* 12/2016 DeLeon ..... D10/104.1  
D777,050 S \* 1/2017 Will ..... D10/104.1  
D783,527 S \* 4/2017 Hao ..... D13/110  
D789,358 S \* 6/2017 Yang ..... D14/356  
D793,262 S \* 8/2017 Geskin Zinovi ..... D10/104.1  
D798,234 S \* 9/2017 Bryant ..... D13/110

## OTHER PUBLICATIONS

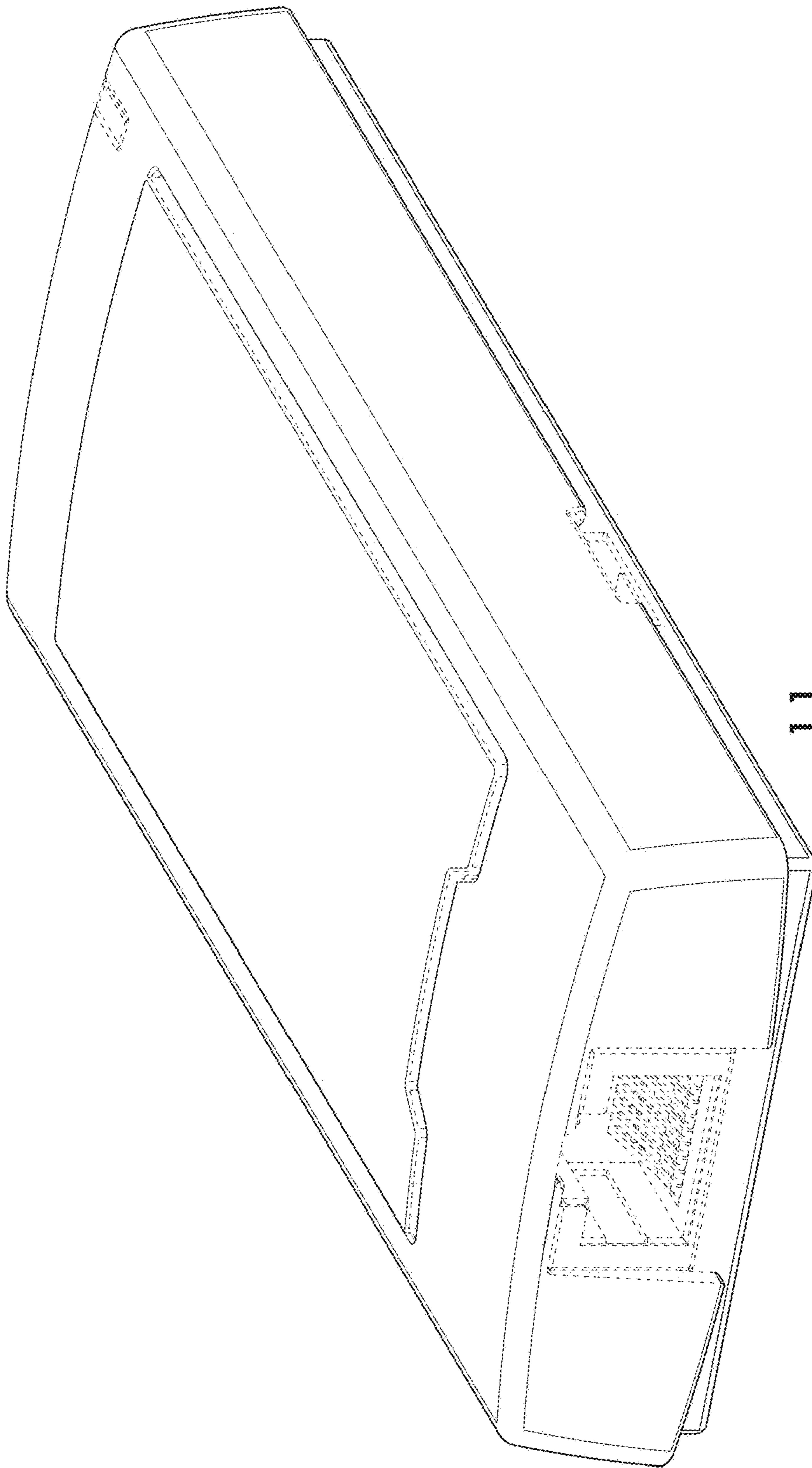
AXIS Communications, AXIS F41 Main Unit, Rugged Design with WDR and HDTV 1080p, 2 pgs., 2015.

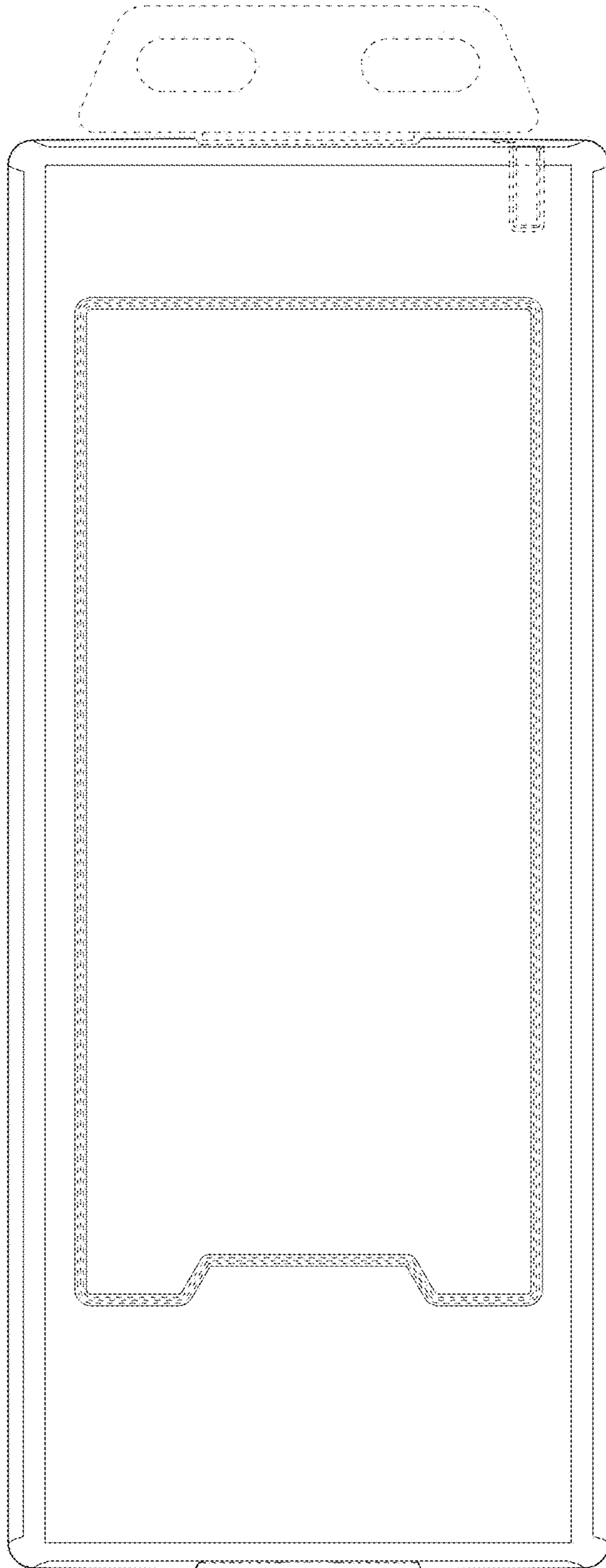
AXIS Communications, AXIS F34 Main Unit, Multi-view Surveillance, 2 pgs., 2015.

AXIS Communications, AXIS P1204 Network Camera, Miniature HDTV Pinhole Camera for Discreet Surveillance, 2 pgs., 2014-2015.

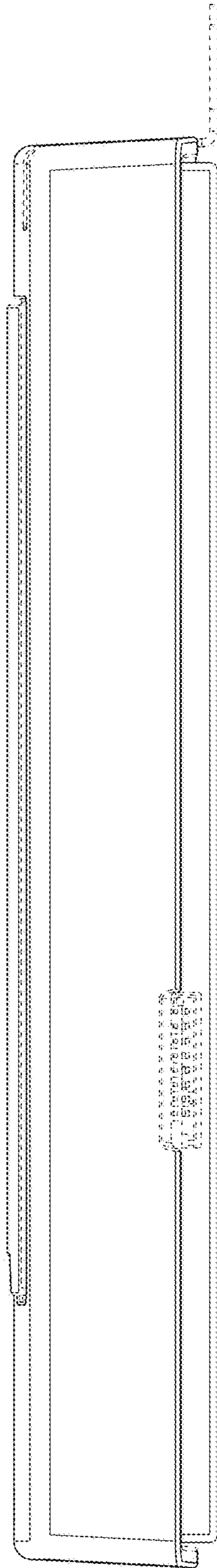
AXIS Communications, AXIS M7011 Video Encoder, Big Performance in a Small Design, 2 pgs., 2015.

\* cited by examiner

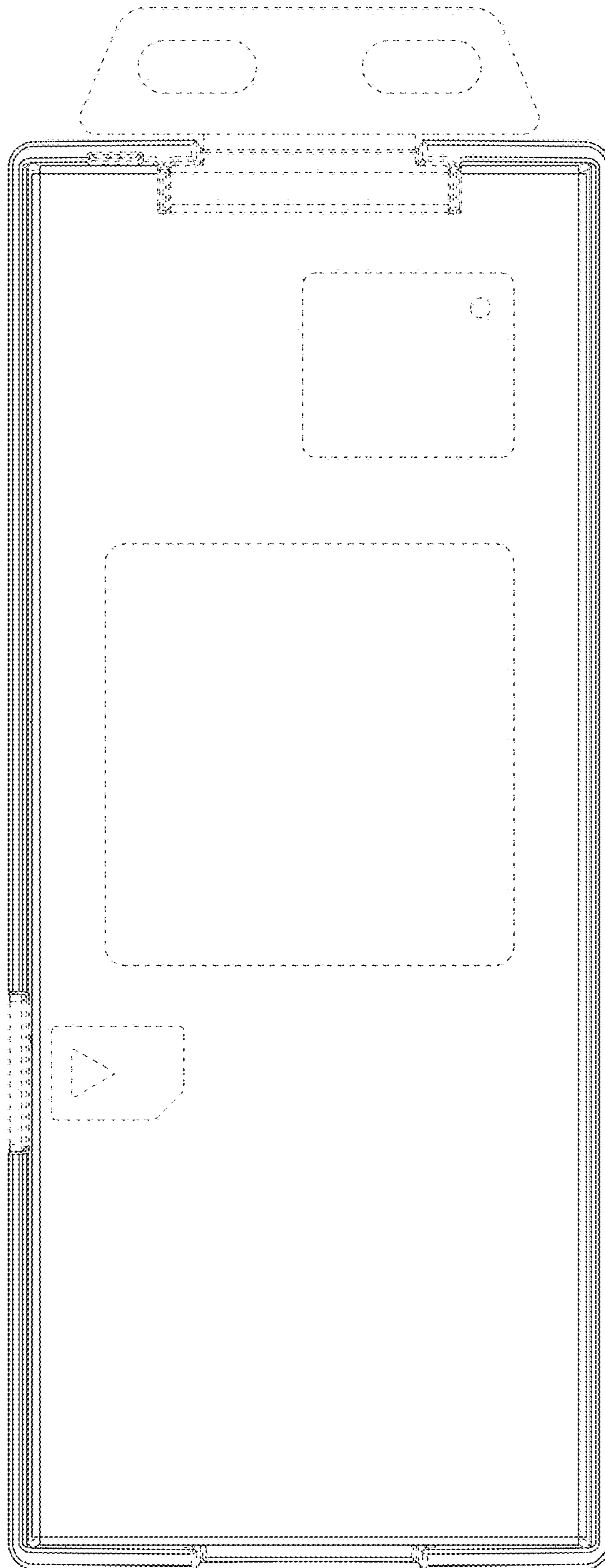




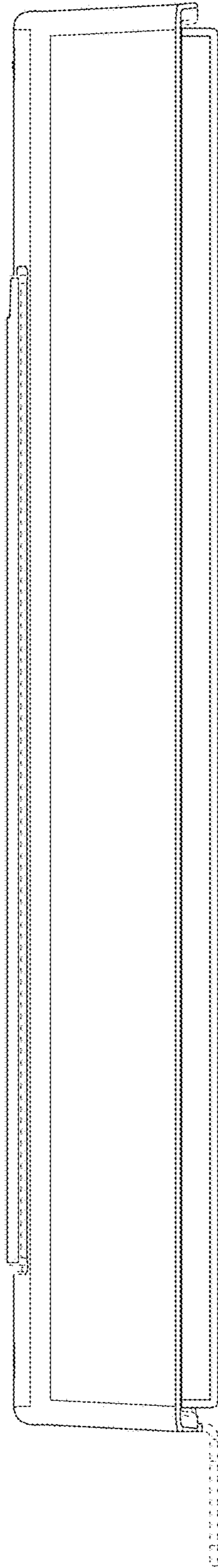
1.2



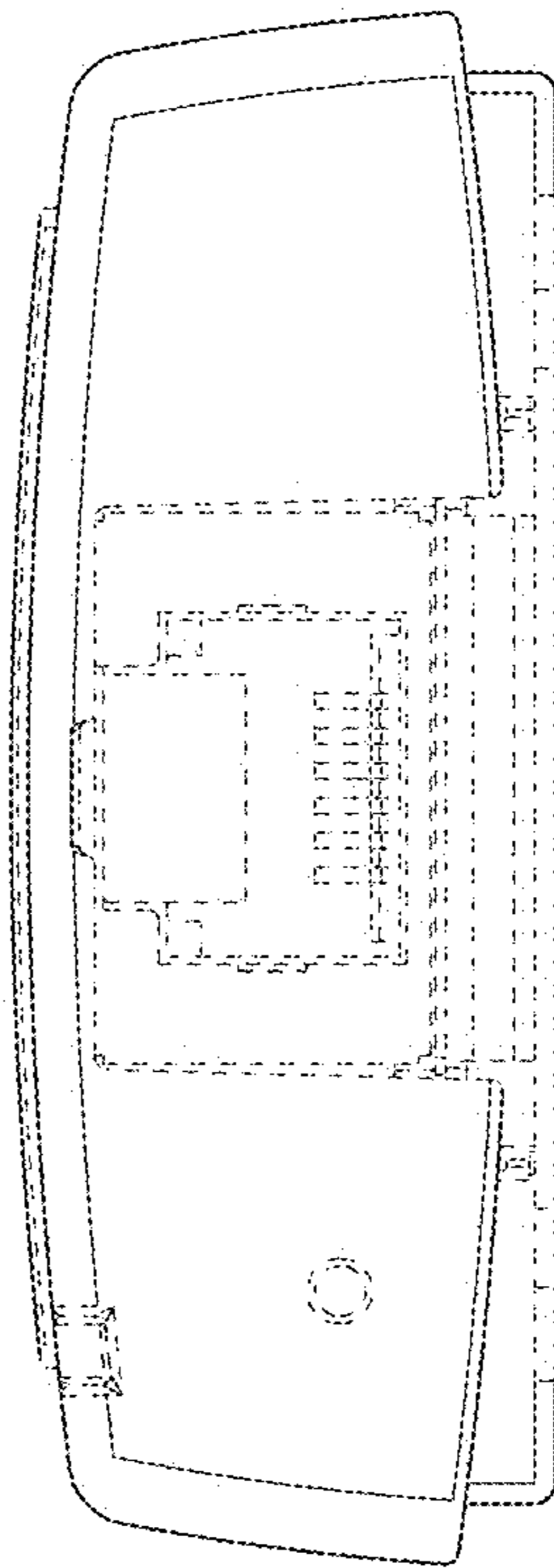
13



1.4

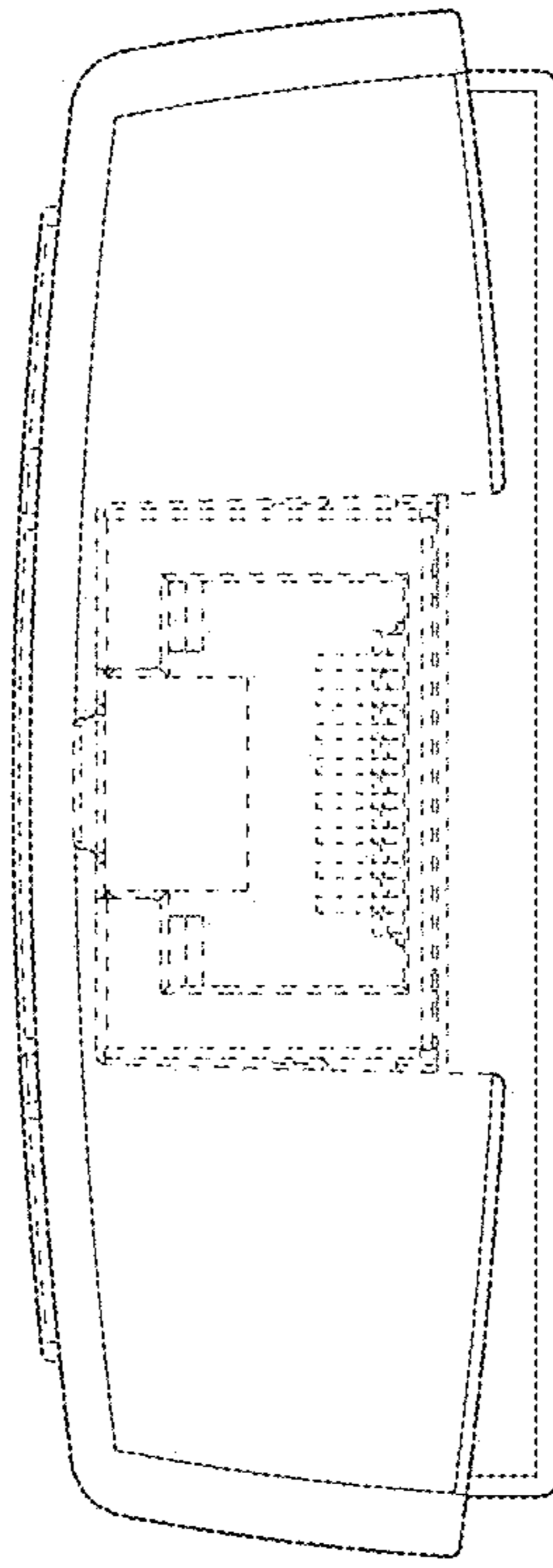


1.5



16





17