



US00D820805S

(12) **United States Design Patent**  
**Nagatsuka**

(10) **Patent No.:** **US D820,805 S**

(45) **Date of Patent:** **\*\* Jun. 19, 2018**

(54) **INTERCOM**

(71) Applicant: **AIPHONE CO., LTD.**, Nagoya-shi  
(JP)

(72) Inventor: **Mitsuru Nagatsuka**, Nagoya (JP)

(73) Assignee: **AIPHONE CO., LTD.**, Nagoya-shi  
(JP)

(\*\*) Term: **15 Years**

(21) Appl. No.: **29/609,092**

(22) Filed: **Jun. 28, 2017**

(30) **Foreign Application Priority Data**

May 1, 2017 (JP) ..... 2017-9634  
May 1, 2017 (JP) ..... 2017-9635

(51) **LOC (11) Cl.** ..... **14-03**

(52) **U.S. Cl.**  
USPC ..... **D14/159**

(58) **Field of Classification Search**

USPC ..... D14/167, 154, 168, 188, 496, 156, 160,  
D14/161, 162, 163, 164, 165, 158, 253,  
D14/192, 159, 155, 138 AB, 137, 104.1;  
455/351, 350, 353; D10/104, 106, 65,  
D10/78; 340/573.4, 573.1  
CPC . G06F 3/16; G08B 3/00; H04M 11/00; H04N  
7/14; H04N 7/26

See application file for complete search history.

(56) **References Cited**

**U.S. PATENT DOCUMENTS**

D289,759 S \* 5/1987 Koob ..... D14/159  
D313,593 S \* 1/1991 Morooka ..... D14/159  
D519,100 S \* 4/2006 Shioya ..... D14/159  
D660,819 S \* 5/2012 Chen ..... D14/159  
D728,509 S \* 5/2015 Hinkel ..... D14/159  
D744,451 S \* 12/2015 Takahata ..... D14/142  
D761,753 S \* 7/2016 Michielan ..... D14/159

D761,756 S \* 7/2016 Michielan ..... D14/159  
D761,758 S \* 7/2016 Michielan ..... D14/159  
D773,428 S \* 12/2016 Takahata ..... D14/159  
D800,087 S \* 10/2017 Shanes ..... D14/159

\* cited by examiner

*Primary Examiner* — Austin Murphy

(74) *Attorney, Agent, or Firm* — Lando & Anastasi, LLP

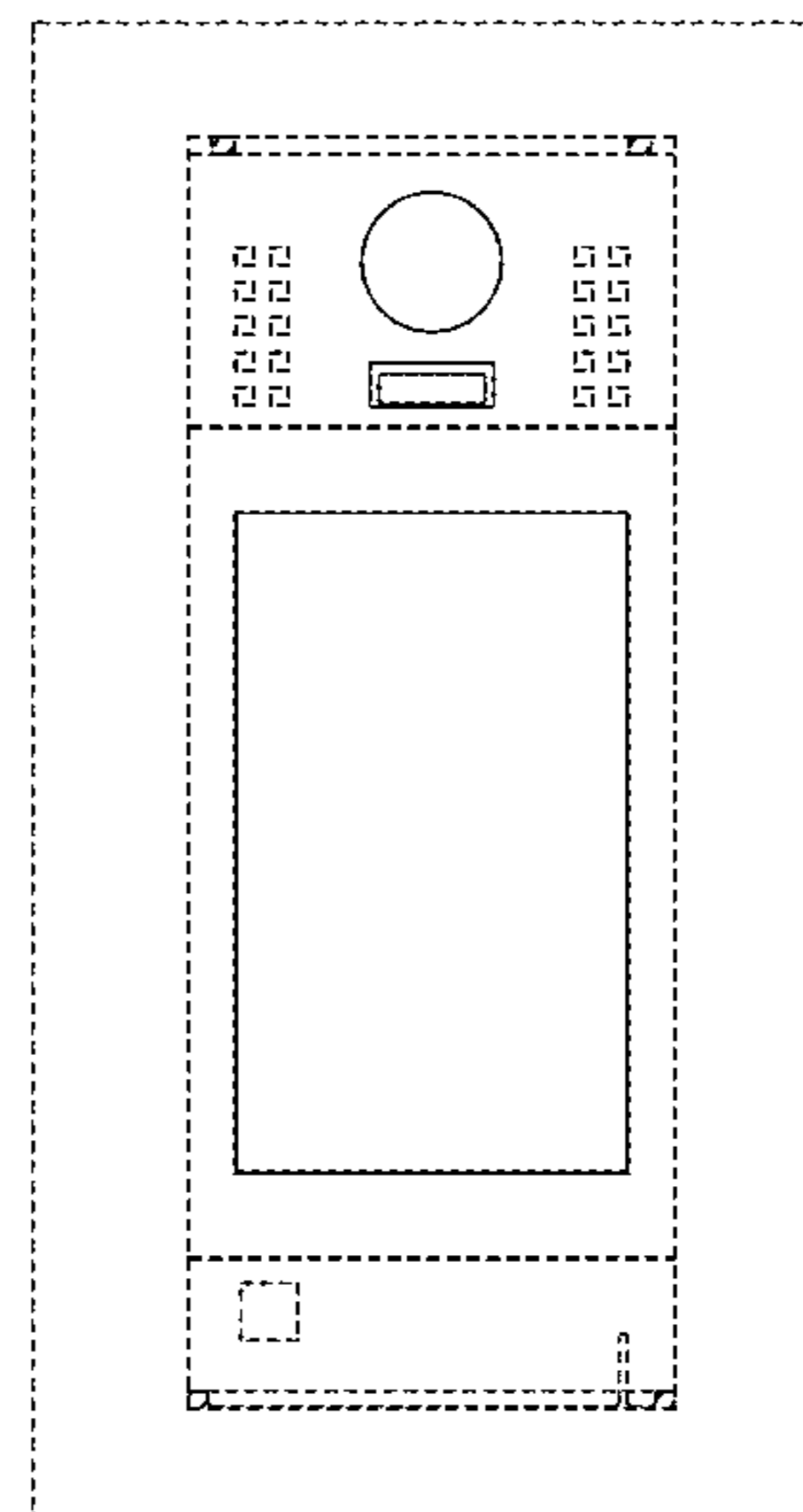
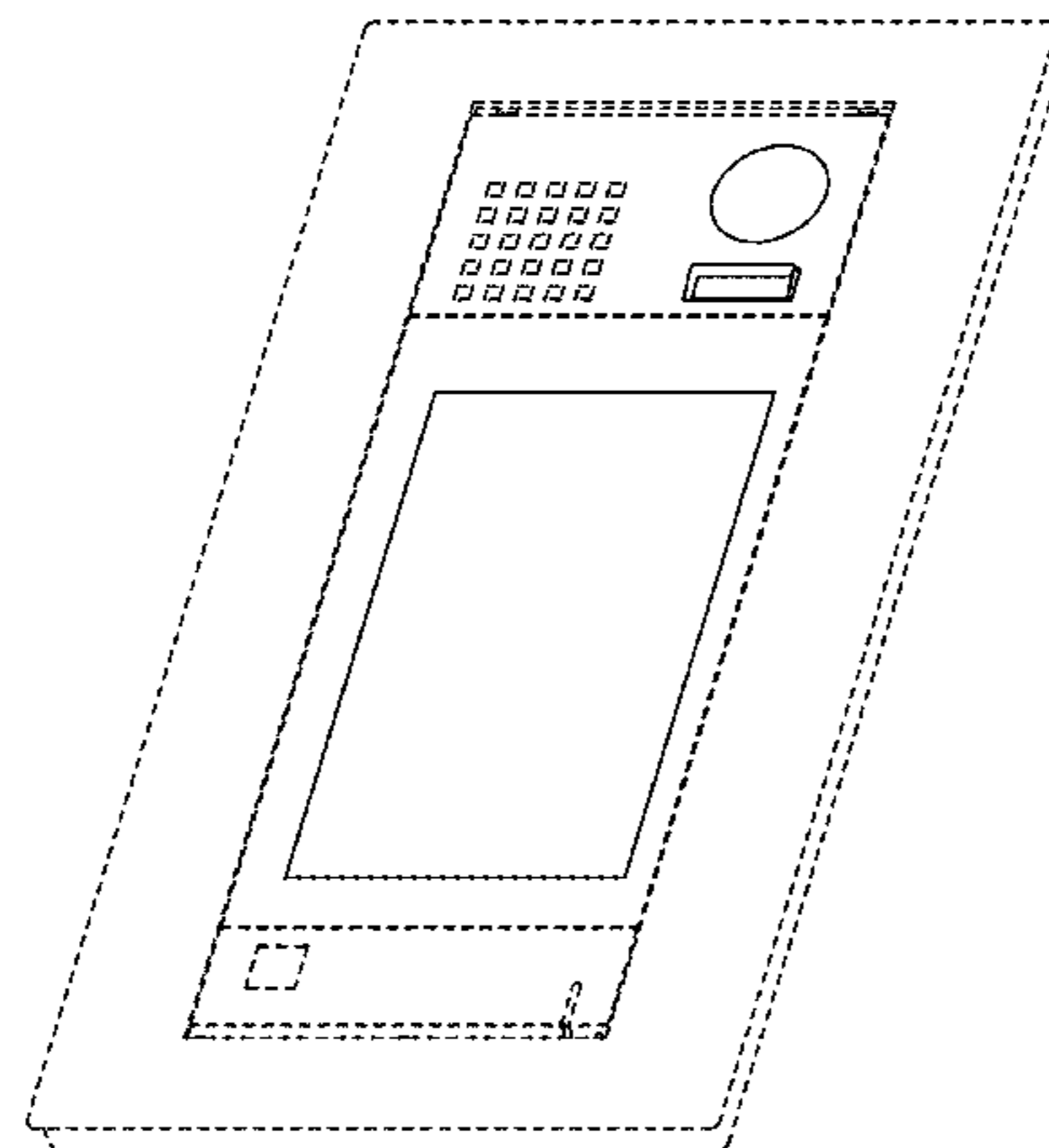
(57) **CLAIM**

The ornamental design for an intercom, as shown and described.

**DESCRIPTION**

FIG. 1 is a front view of an intercom design;  
FIG. 2 is a rear view thereof;  
FIG. 3 is a top view thereof;  
FIG. 4 is a bottom view thereof;  
FIG. 5 is a right view thereof;  
FIG. 6 is a left view thereof;  
FIG. 7 is a perspective view thereof;  
FIG. 8 is a front view of an intercom design of a second embodiment;  
FIG. 9 is a rear view thereof;  
FIG. 10 is a top view thereof;  
FIG. 11 is a bottom view thereof;  
FIG. 12 is a right view thereof;  
FIG. 13 is a left view thereof;  
FIG. 14 is a perspective view thereof;  
FIG. 15 is a front view of an intercom design of a third embodiment;  
FIG. 16 is a rear view thereof;  
FIG. 17 is a top view thereof;  
FIG. 18 is a bottom view thereof;  
FIG. 19 is a right view thereof;  
FIG. 20 is a left view thereof; and,  
FIG. 21 is a perspective view thereof.  
The dashed broken lines shown in the figures do not represent a part of the claimed design.

**1 Claim, 21 Drawing Sheets**



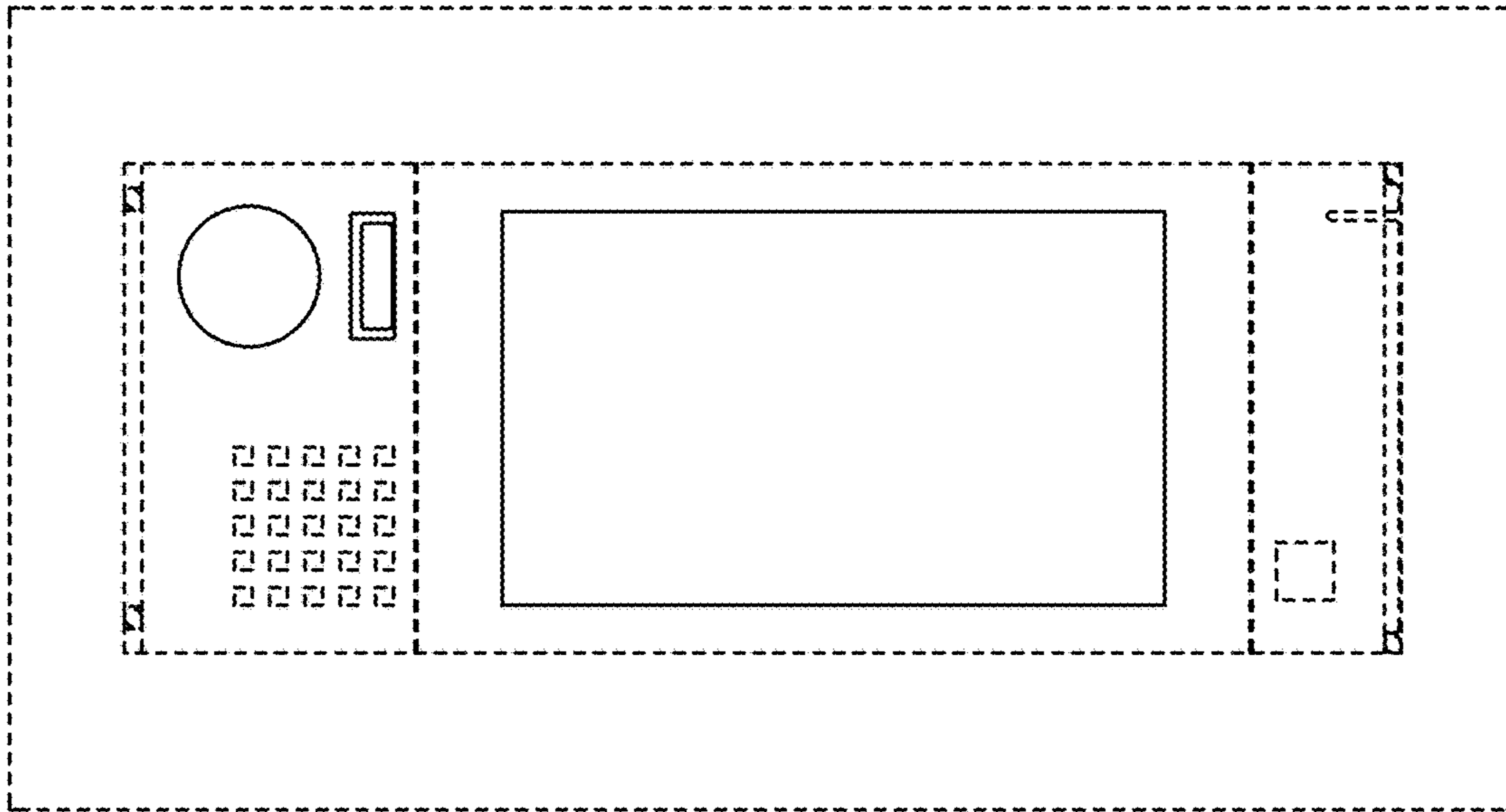


Fig.1

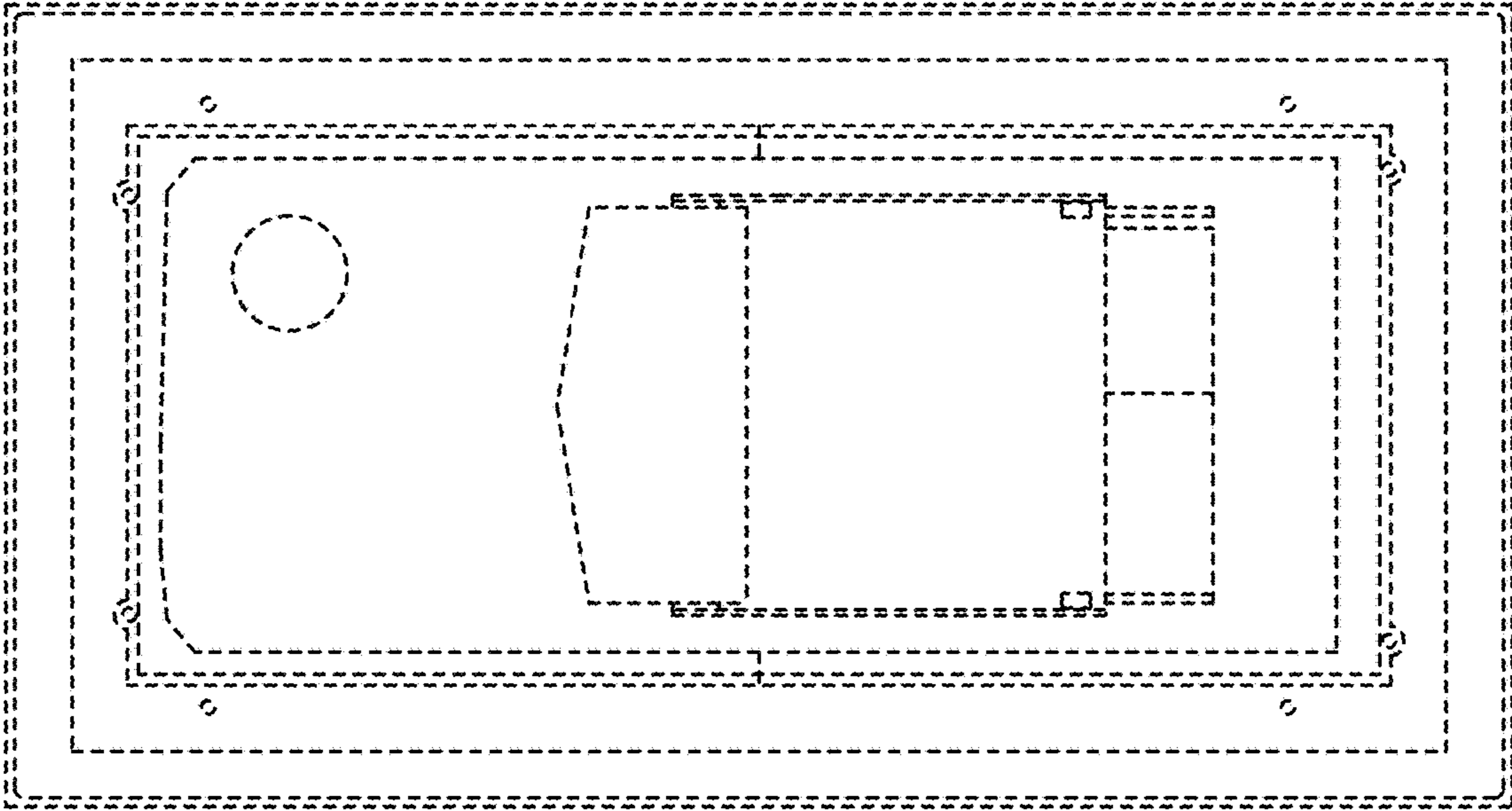
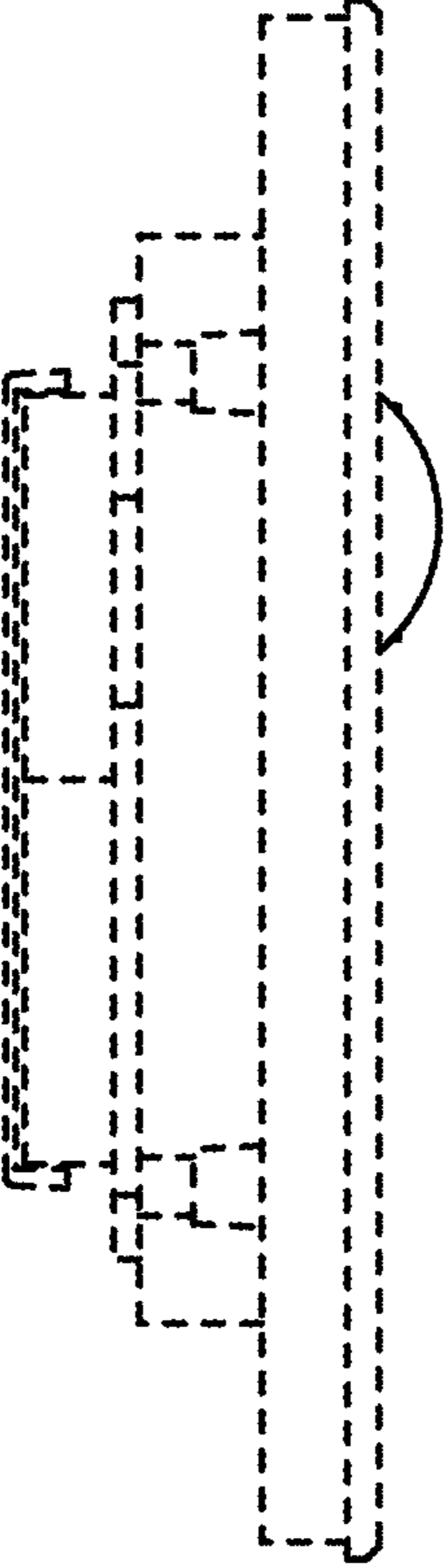


Fig.2

Fig.3



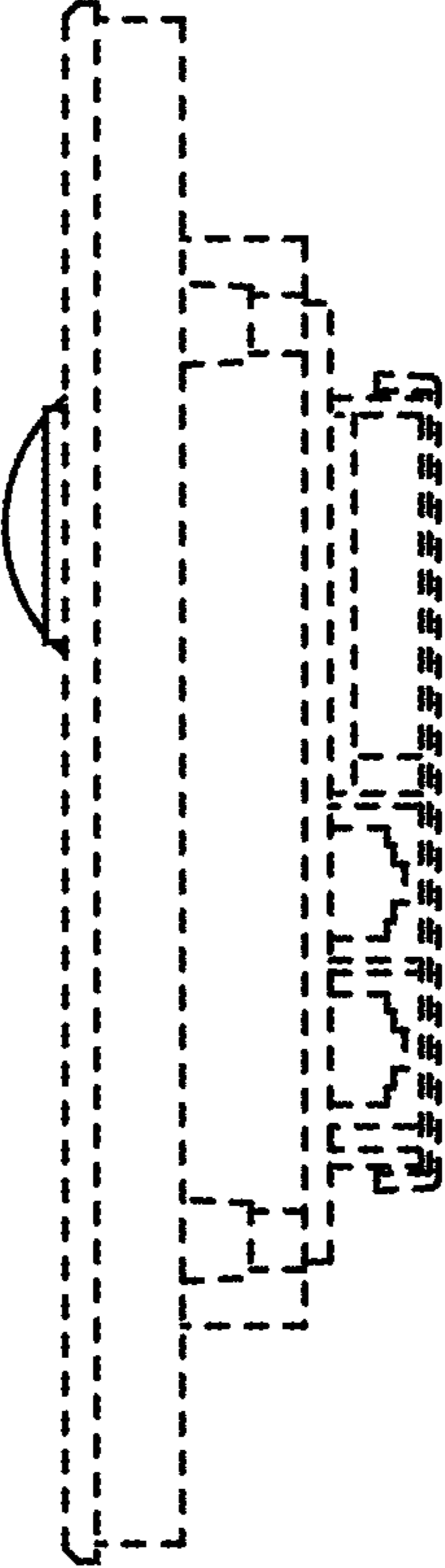


Fig.4

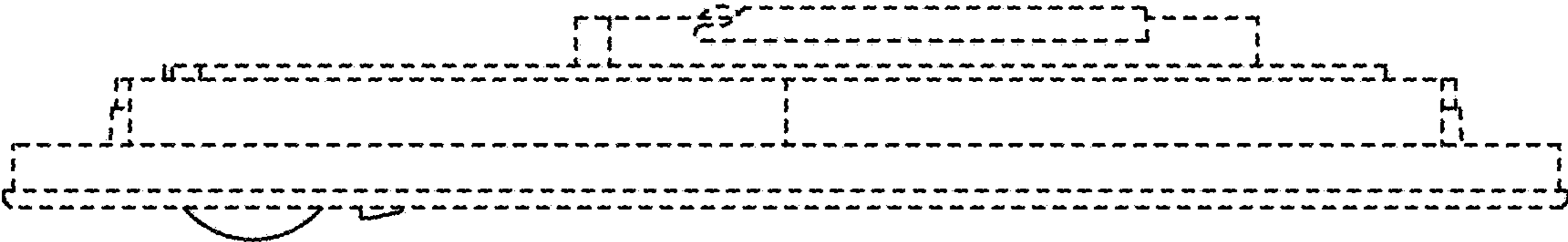


Fig. 5

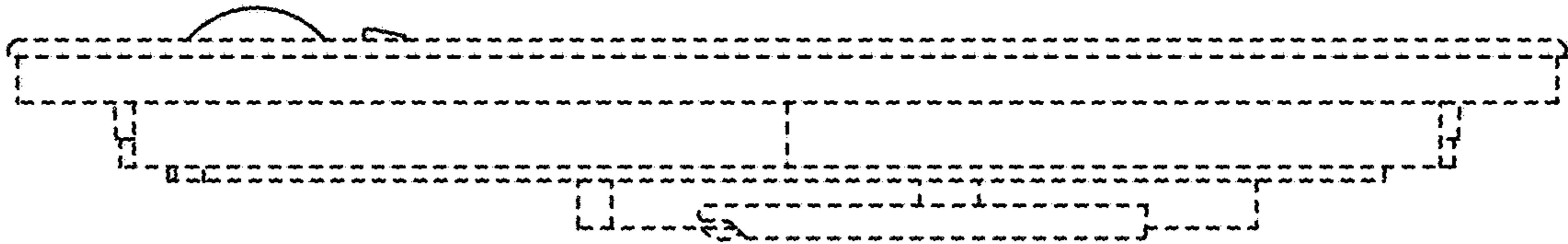


Fig.6

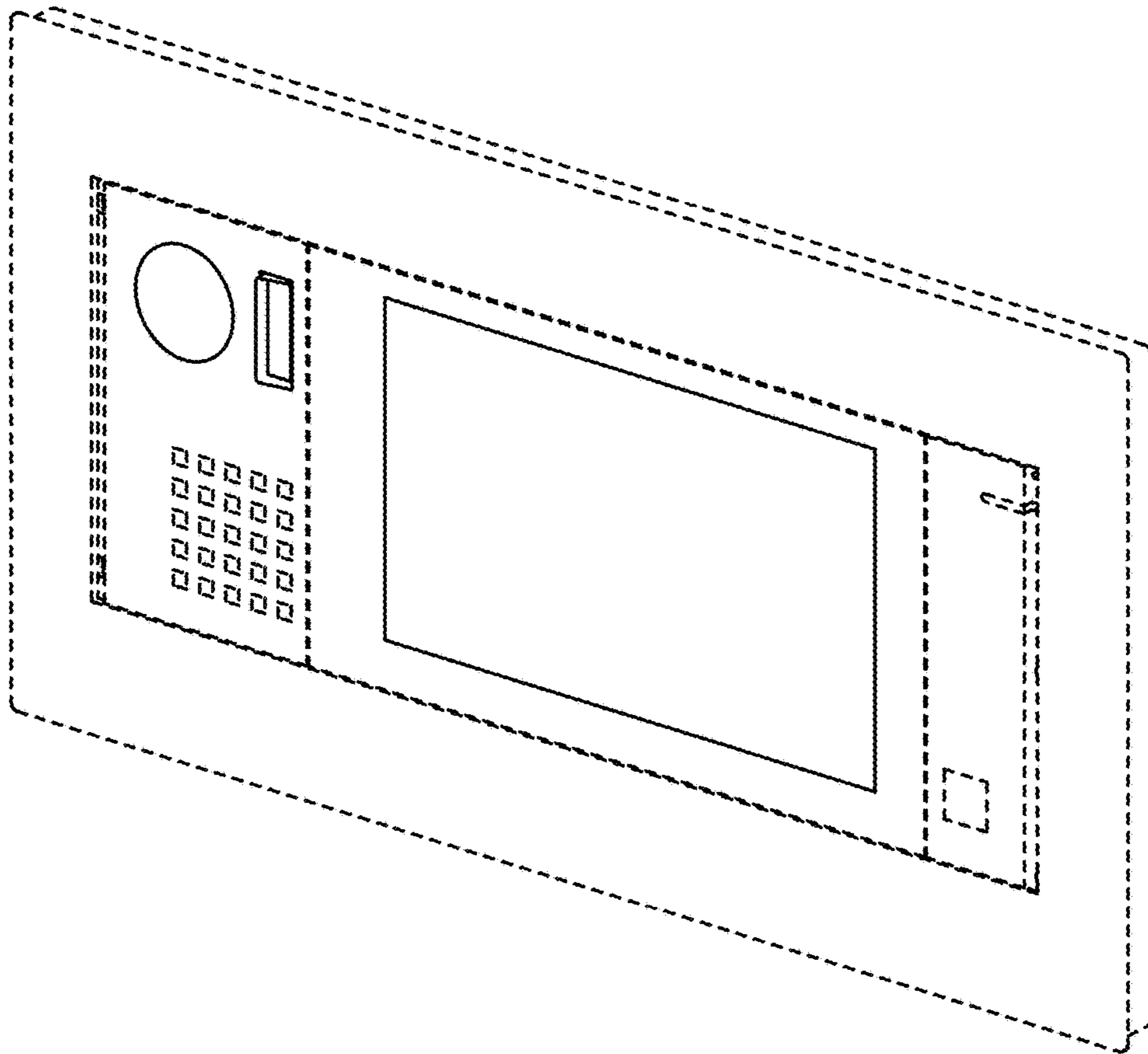


Fig.7



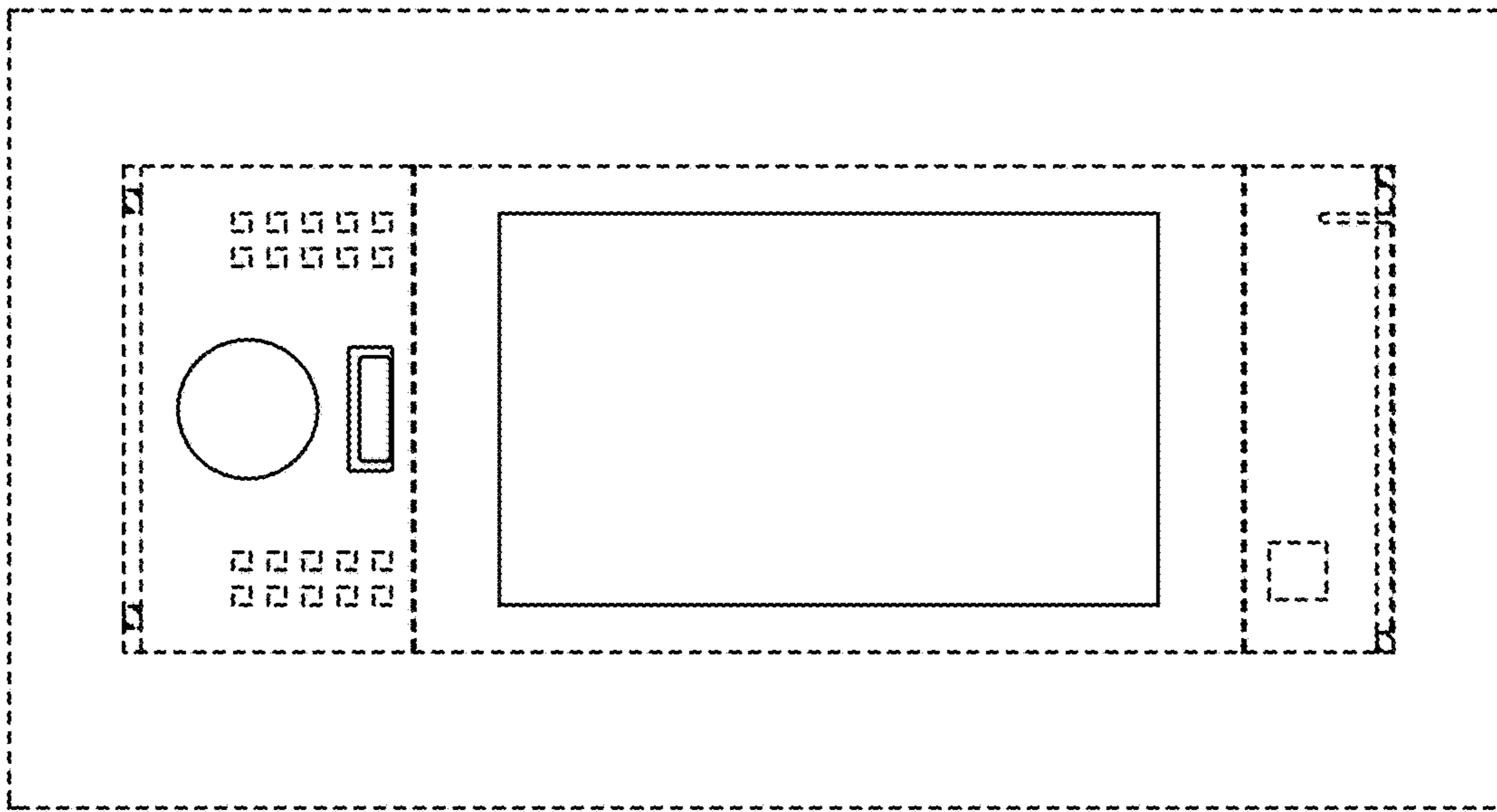


Fig. 8

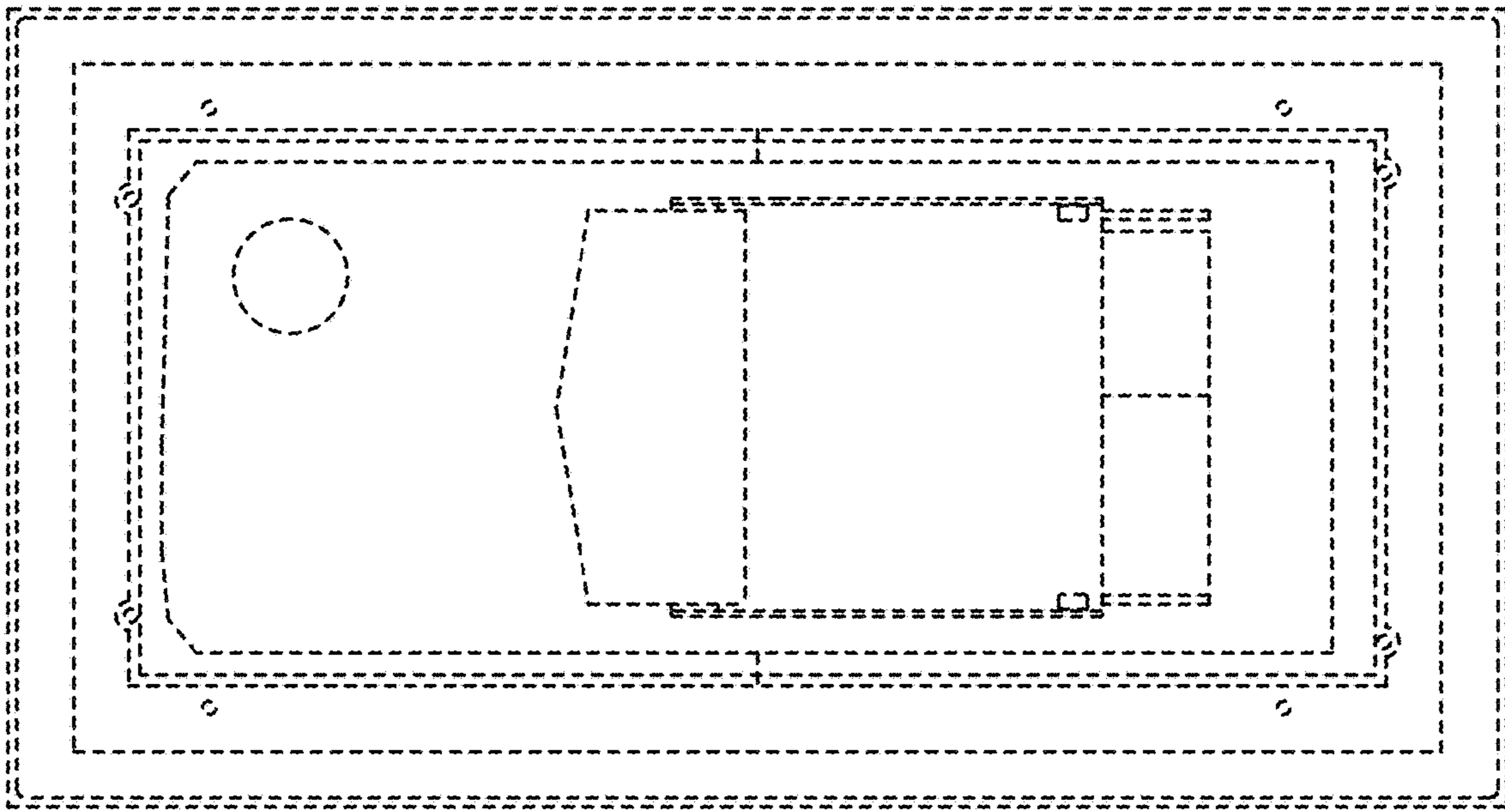


Fig. 9

Fig. 10

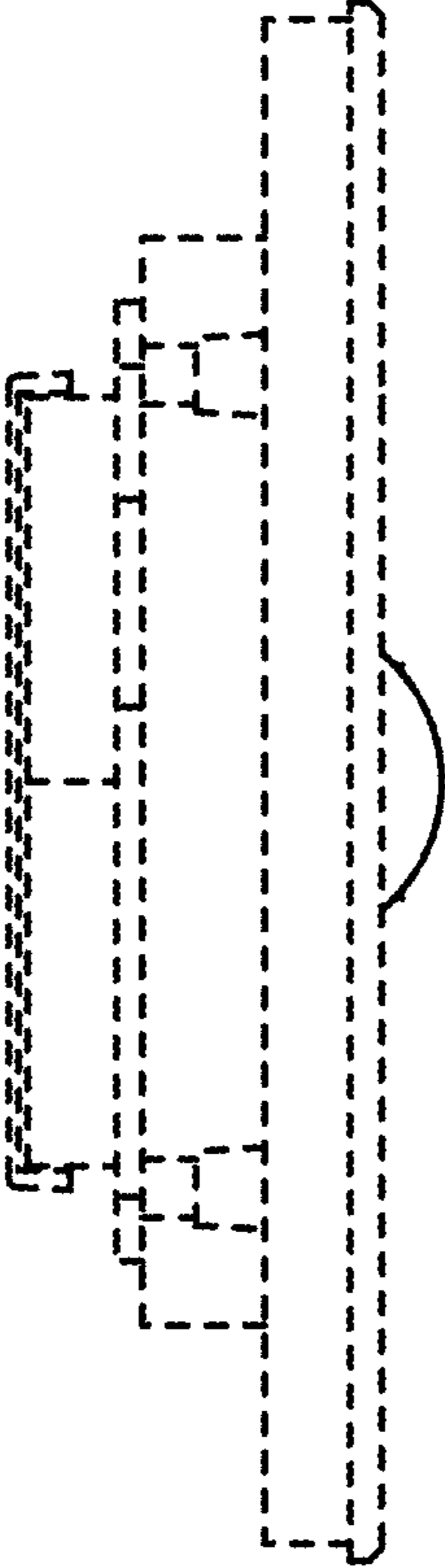
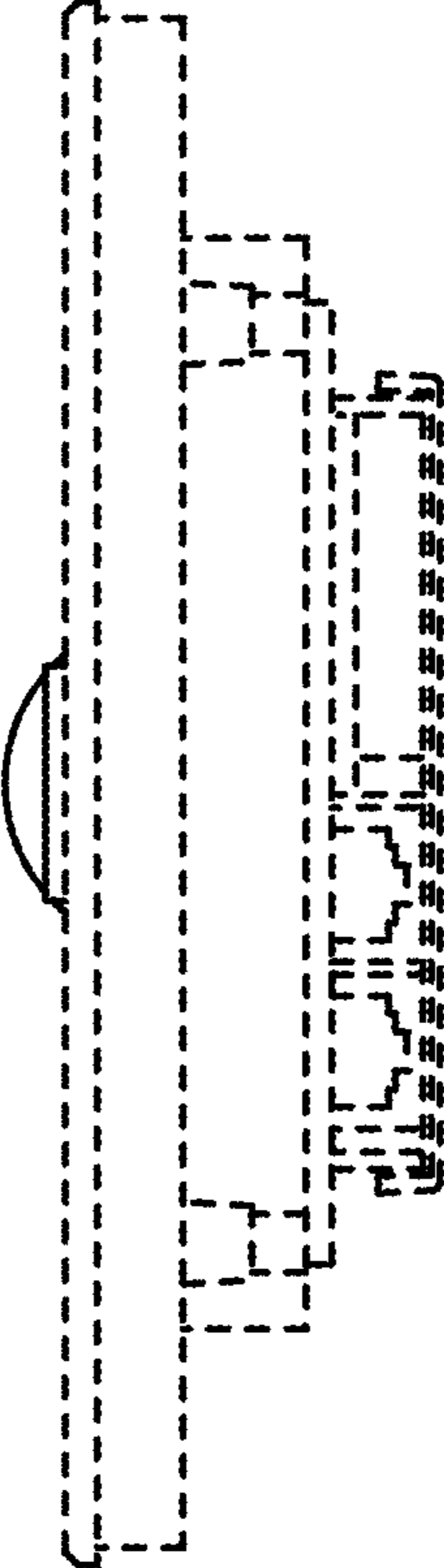


Fig. 11



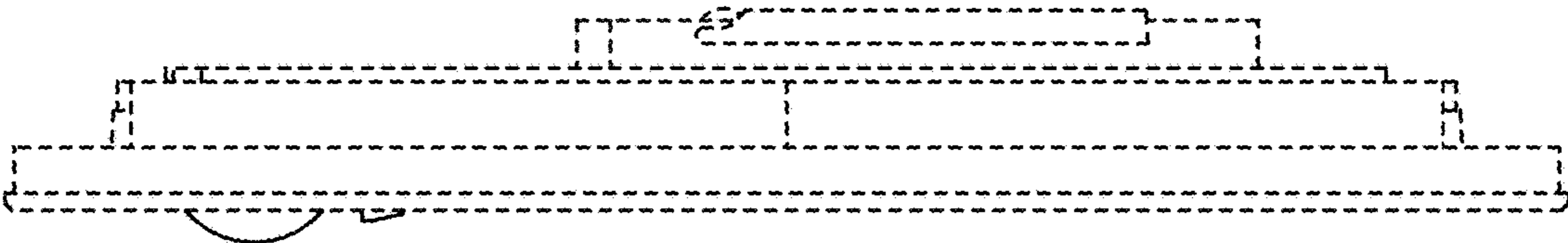


Fig. 12

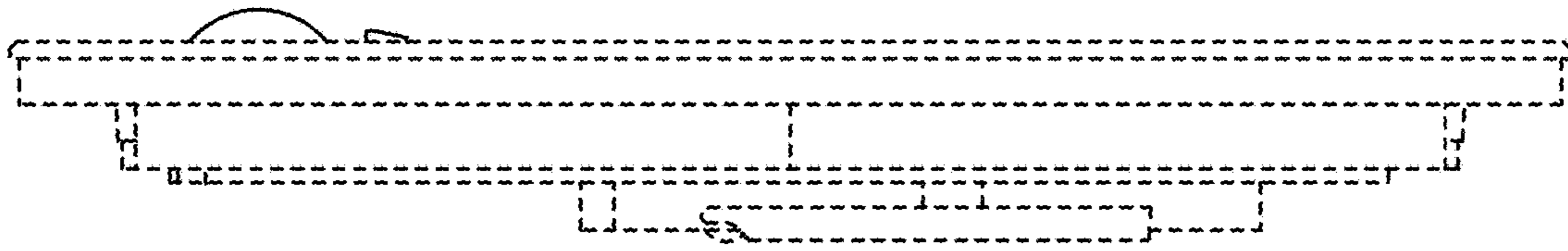


Fig. 13

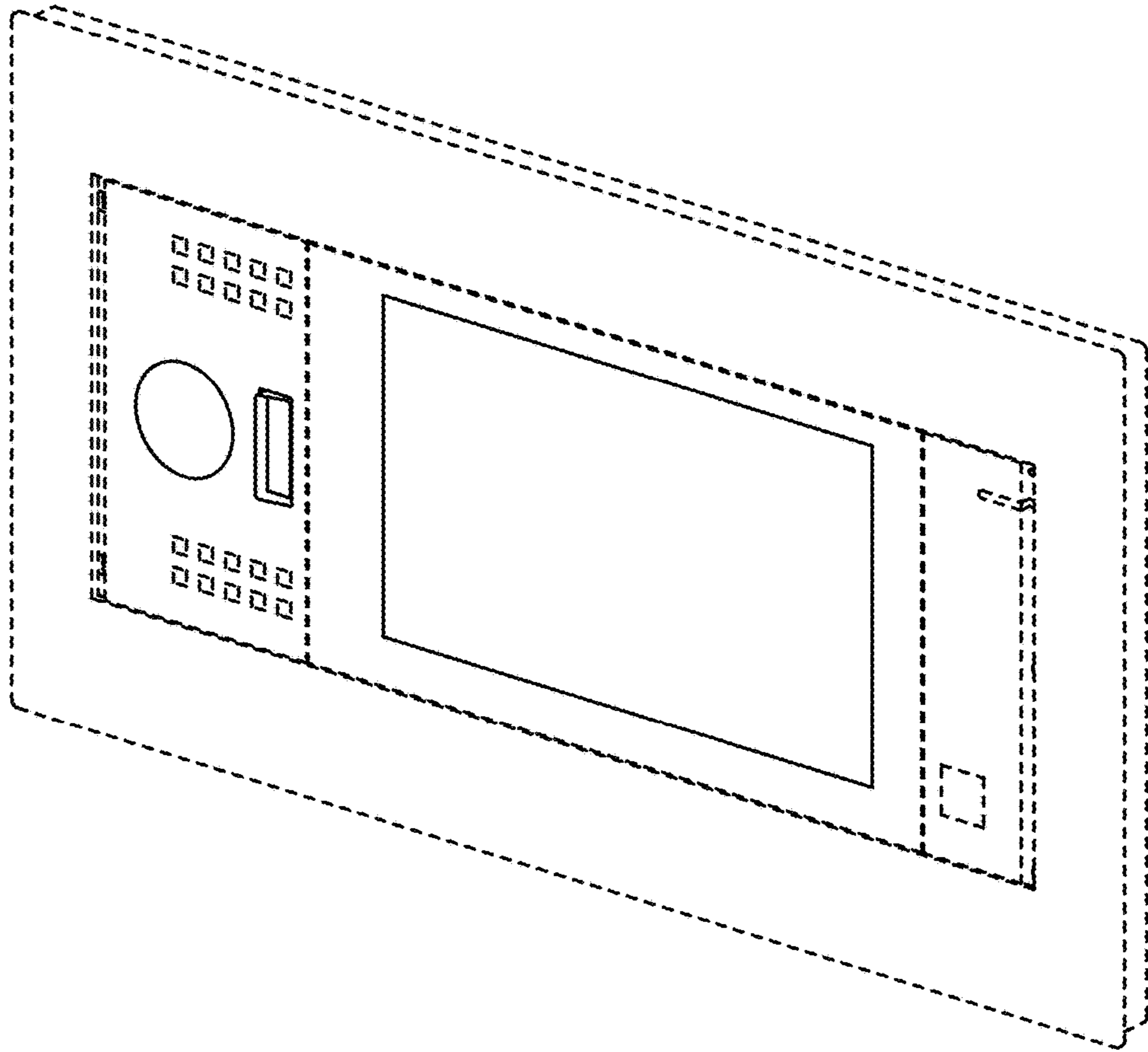


Fig. 14

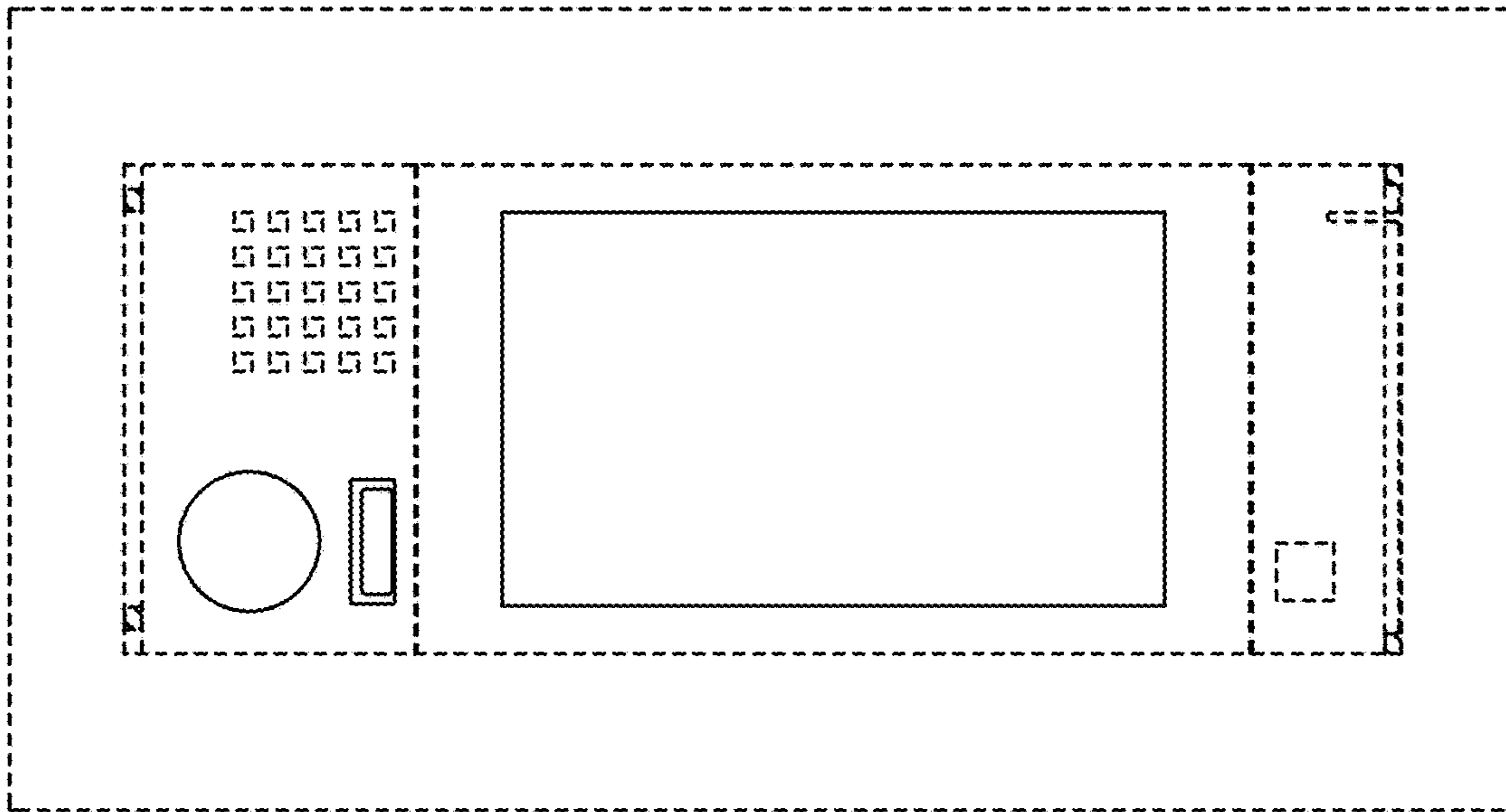


Fig. 15



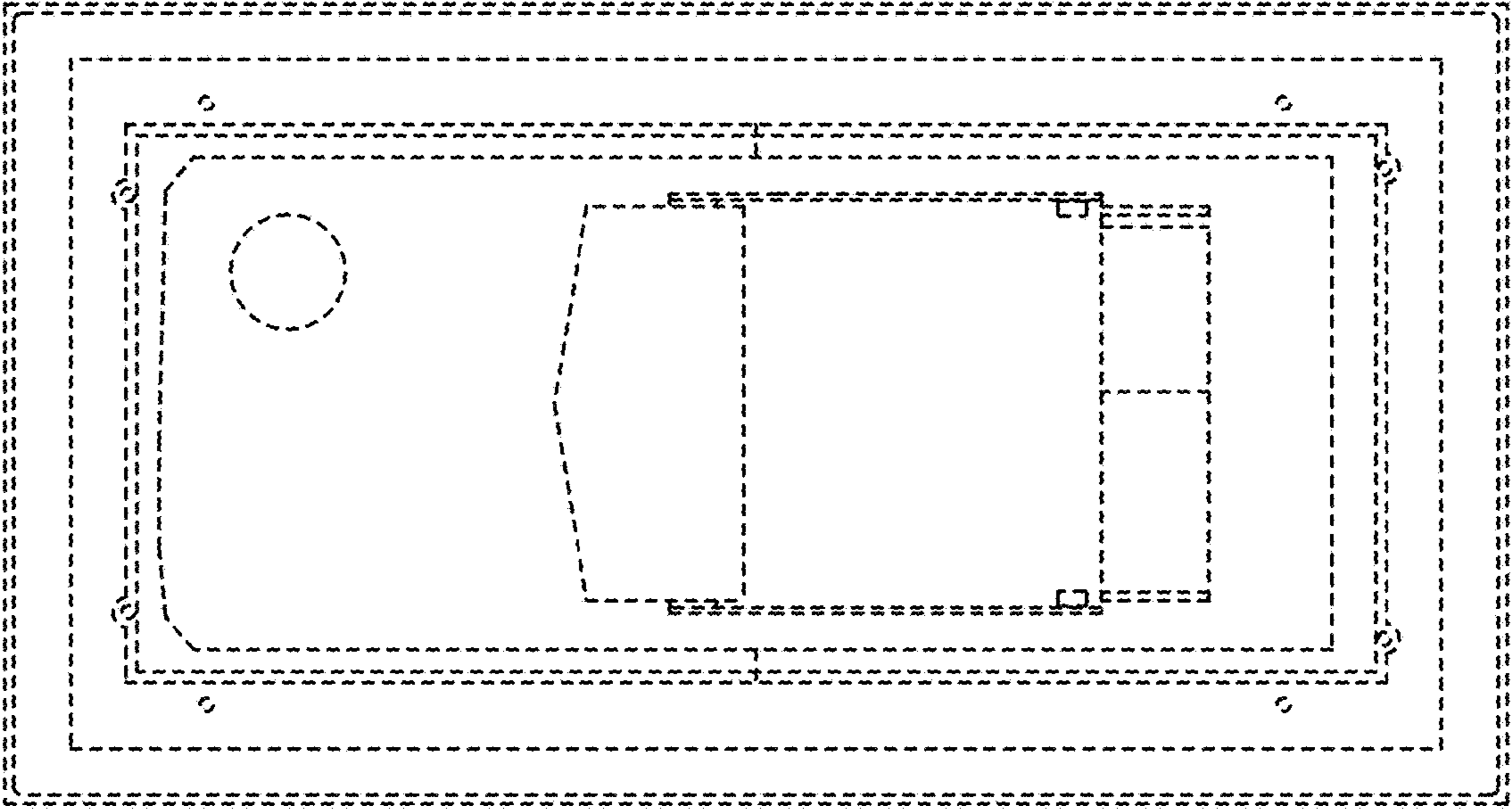


Fig. 16

Fig. 17

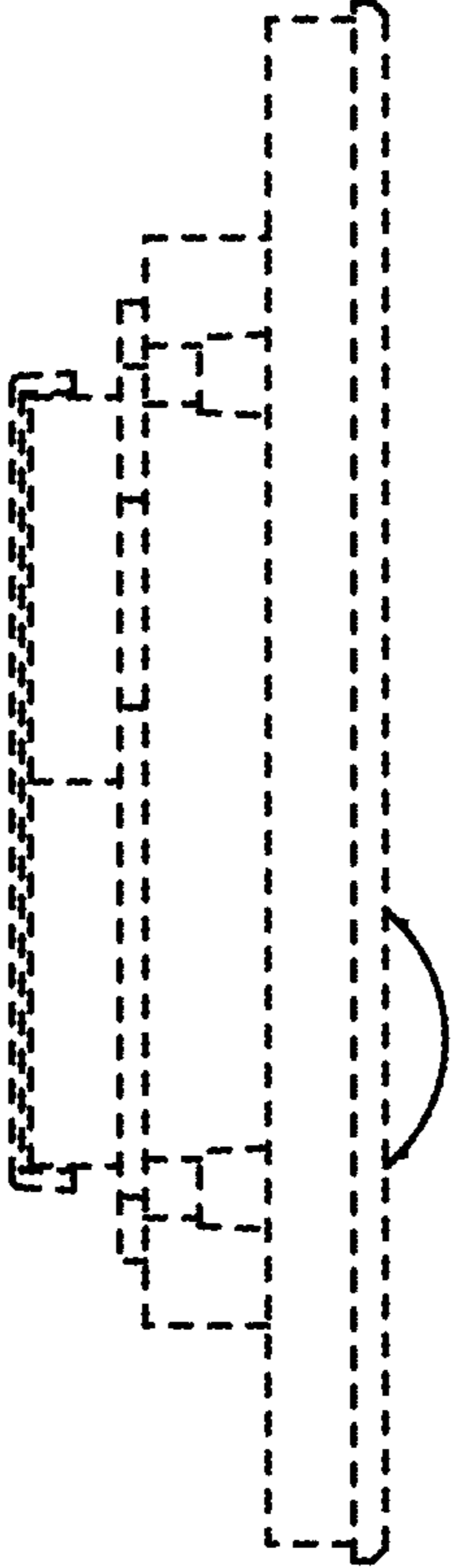
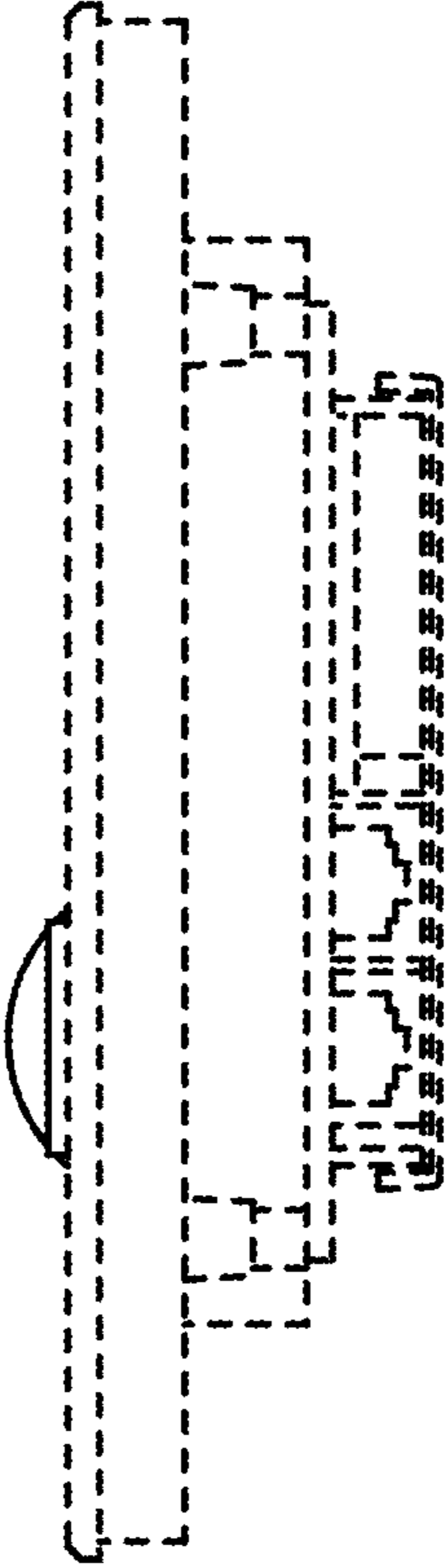


Fig. 18



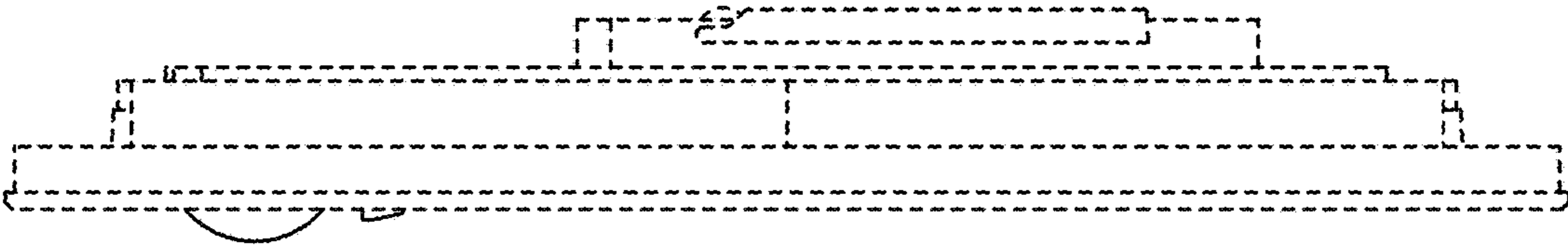


Fig. 19

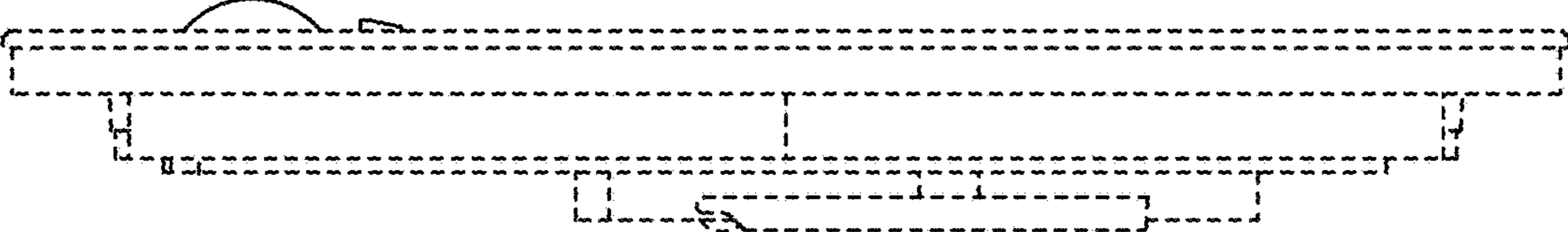


Fig. 20

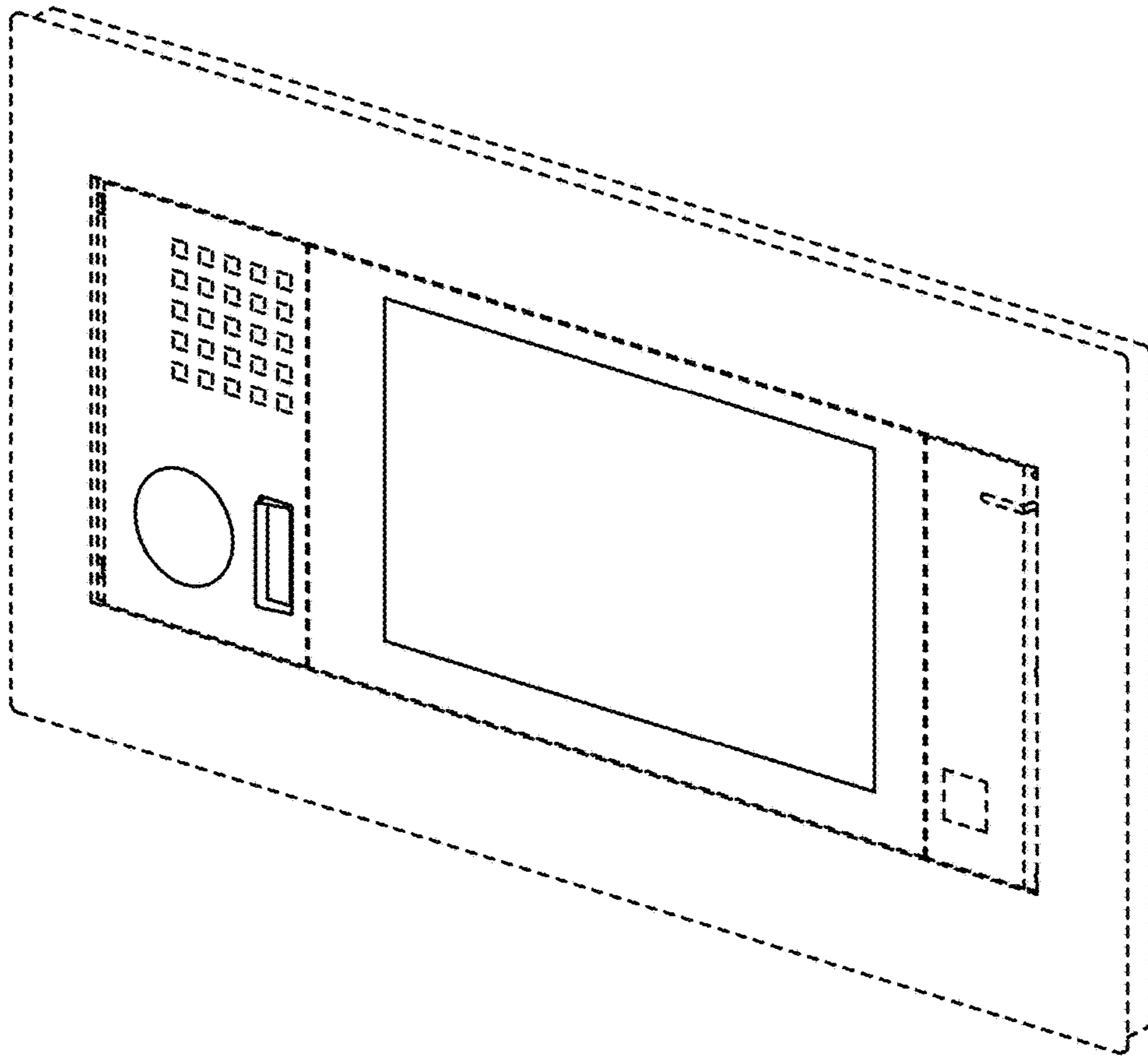


Fig. 21