



US00D820804S

(12) **United States Design Patent**
Nagatsuka

(10) **Patent No.:** **US D820,804 S**
(45) **Date of Patent:** **** Jun. 19, 2018**

(54) **INTERCOM**
(71) Applicant: **AIPHONE CO., LTD.**, Nagoya (JP)
(72) Inventor: **Mitsuru Nagatsuka**, Nagoya (JP)
(73) Assignee: **AIPHONE CO., LTD.**, Nagoya-shi (JP)

D519,100 S * 4/2006 Shioya D14/159
D660,819 S * 5/2012 Chen D14/159
D728,509 S * 5/2015 Hinkel D14/159
D744,451 S * 12/2015 Takahata D14/142
D761,753 S * 7/2016 Michielan D14/159
D761,756 S * 7/2016 Michielan D14/159
D761,758 S * 7/2016 Michielan D14/159
D773,428 S * 12/2016 Takahata D14/159
D800,087 S * 10/2017 Shanes D14/159

(**) Term: **15 Years**
(21) Appl. No.: **29/609,089**
(22) Filed: **Jun. 28, 2017**

* cited by examiner
Primary Examiner — Austin Murphy
(74) *Attorney, Agent, or Firm* — Lando & Anastasi, LLP

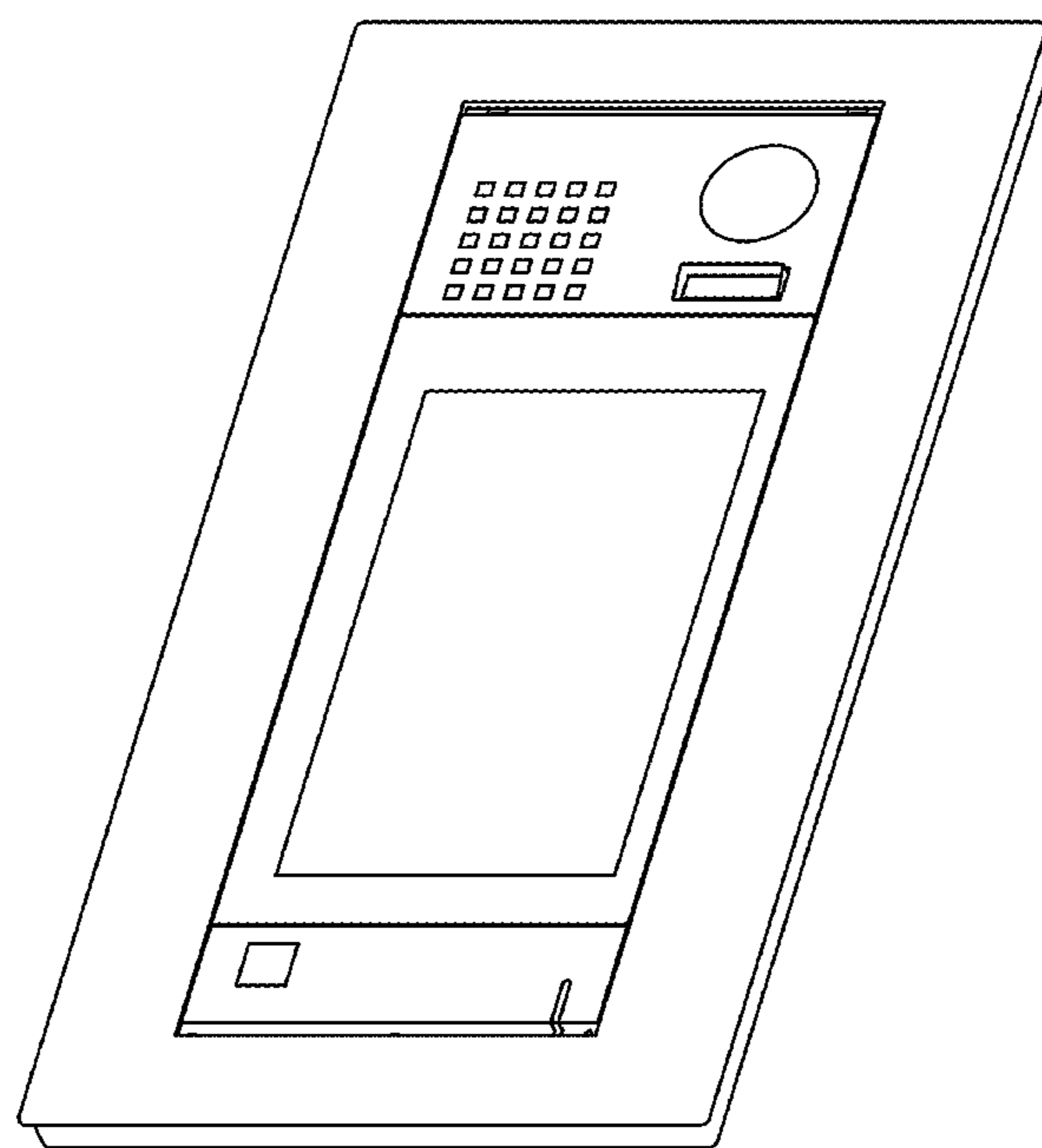
(30) **Foreign Application Priority Data**
May 1, 2017 (JP) 2017-9634
(51) **LOC (11) Cl.** **14-03**
(52) **U.S. Cl.**
USPC **D14/159**
(58) **Field of Classification Search**
USPC D14/167, 154, 168, 188, 496, 156, 160,
D14/161, 162, 163, 164, 165, 158, 253,
D14/192, 159, 155, 138 AB, 137, 104.1;
455/351, 350, 353; D10/104, 106, 65,
D10/78; 340/573.4, 573.1
CPC . G06F 3/16; G08B 3/00; H04M 11/00; H04N
7/14; H04N 7/26
See application file for complete search history.

(57) **CLAIM**
The ornamental design for an intercom, as shown and described.

(56) **References Cited**
U.S. PATENT DOCUMENTS
D289,759 S * 5/1987 Koob D14/159
D313,593 S * 1/1991 Morooka D14/159

DESCRIPTION
FIG. 1 is a front view of an intercom design;
FIG. 2 is a rear view thereof;
FIG. 3 is a top view thereof;
FIG. 4 is a bottom view thereof;
FIG. 5 is a right view thereof;
FIG. 6 is a left view thereof; and,
FIG. 7 is a perspective view thereof.
The dashed broken lines shown in the Figures do not represent a part of the claimed design.

1 Claim, 7 Drawing Sheets



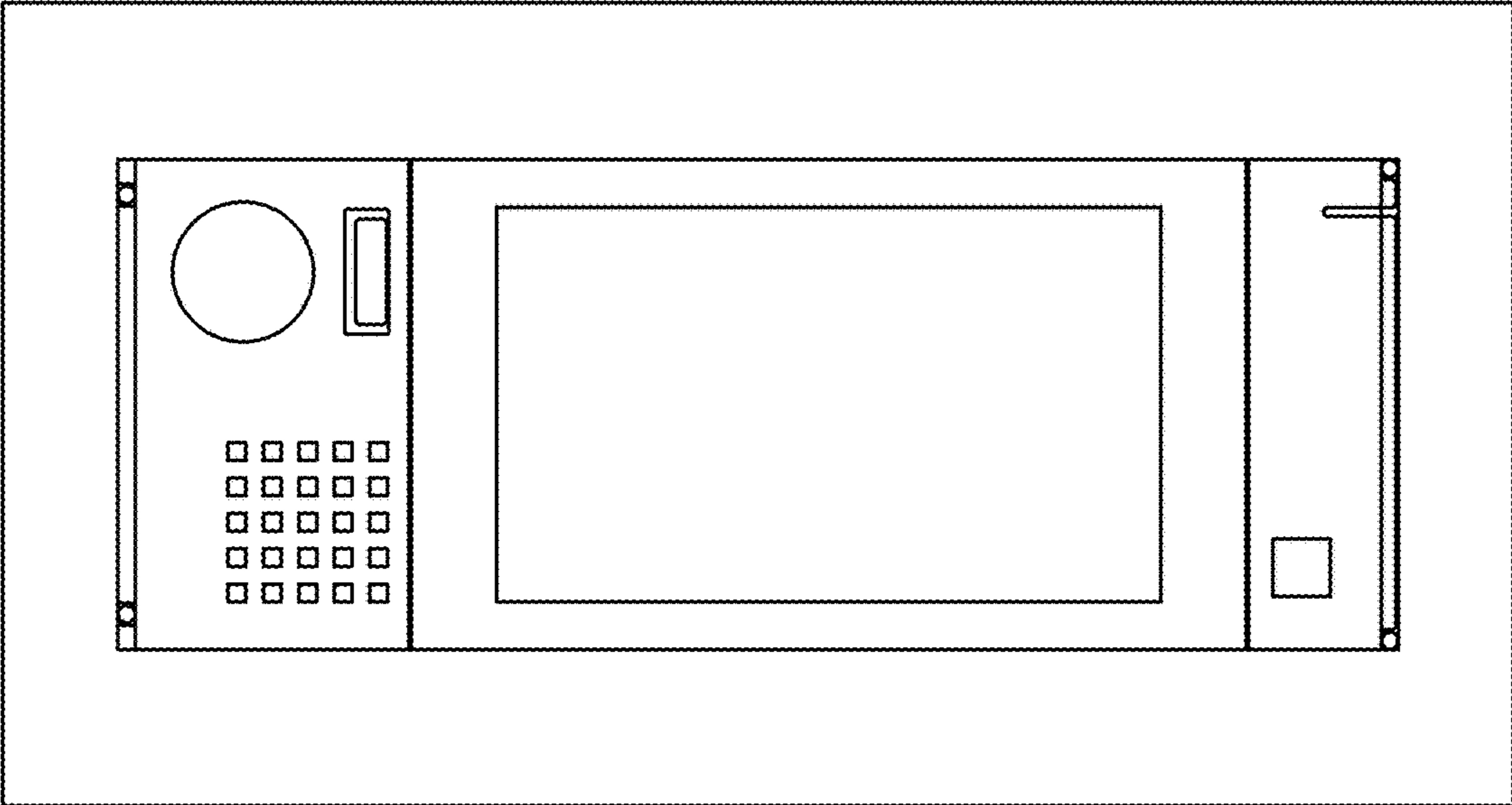


Fig.1

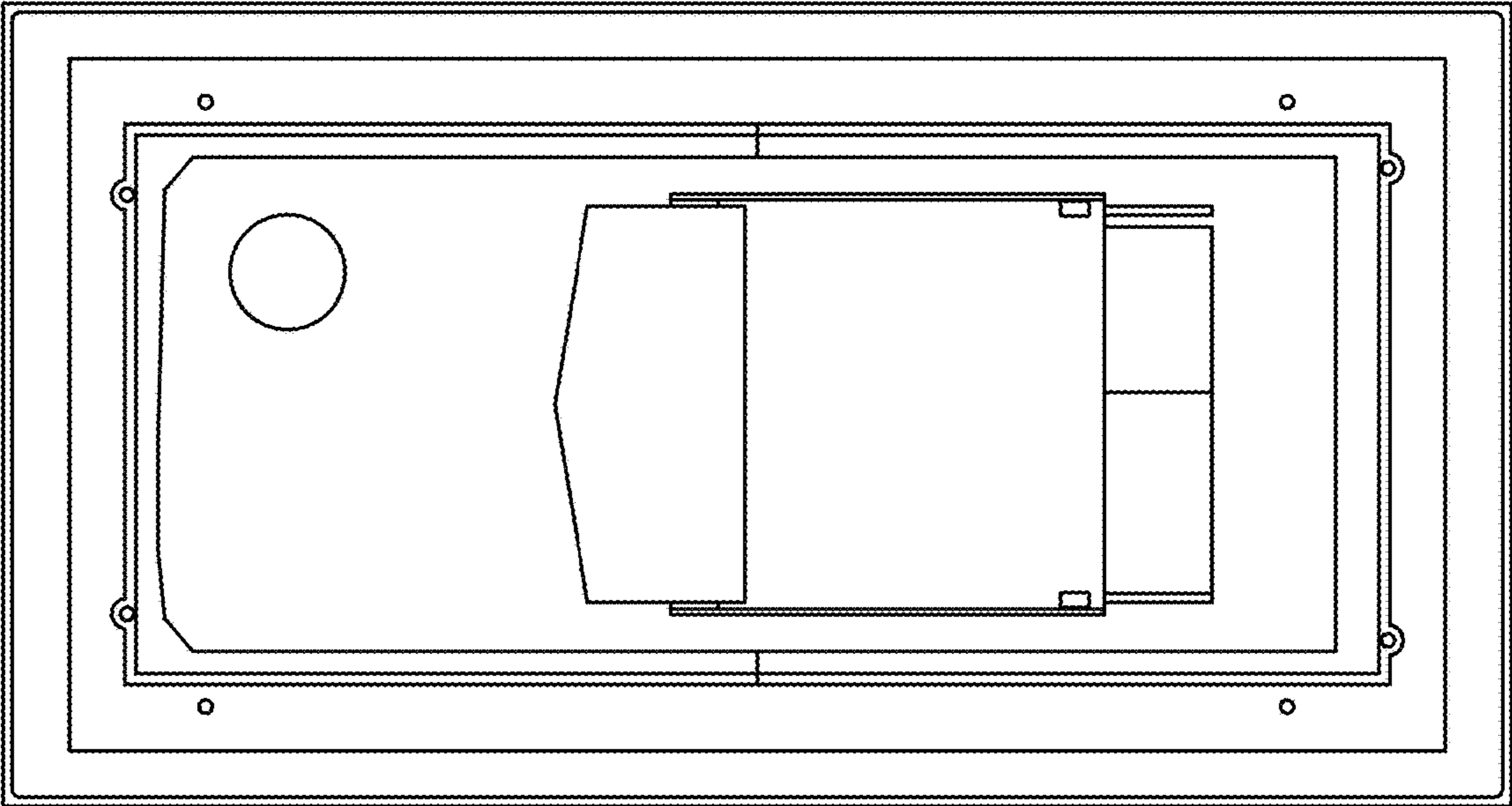


Fig.2

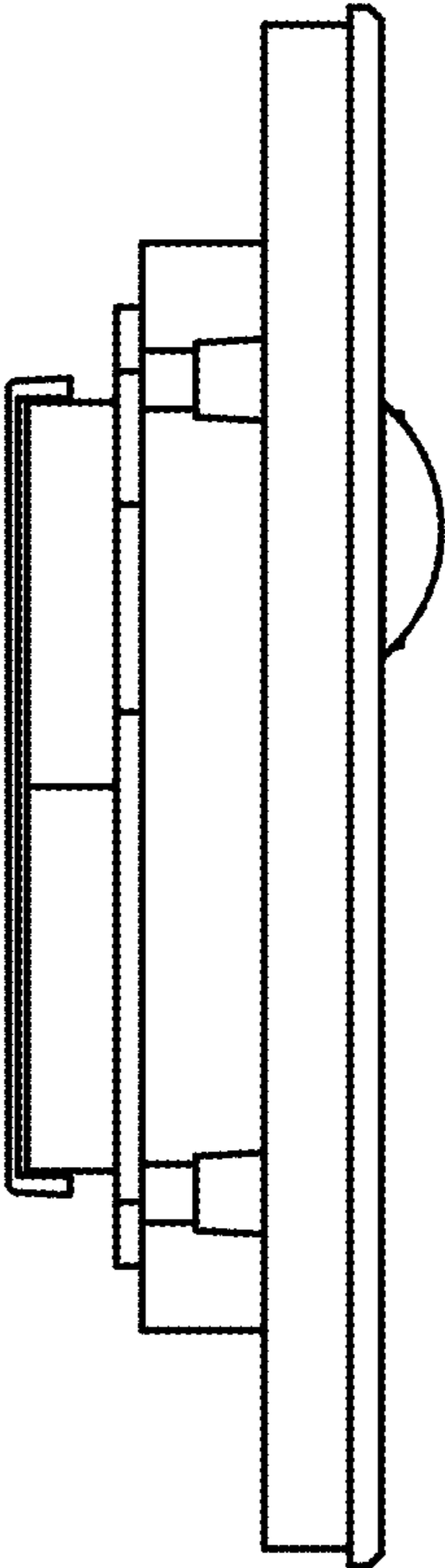


Fig.3

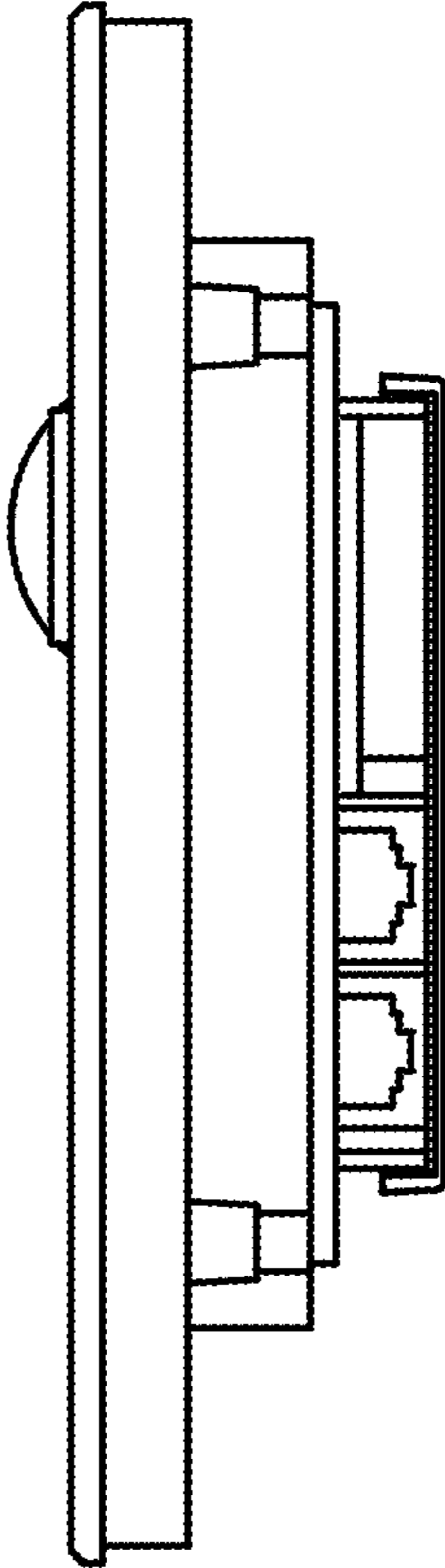


Fig.4

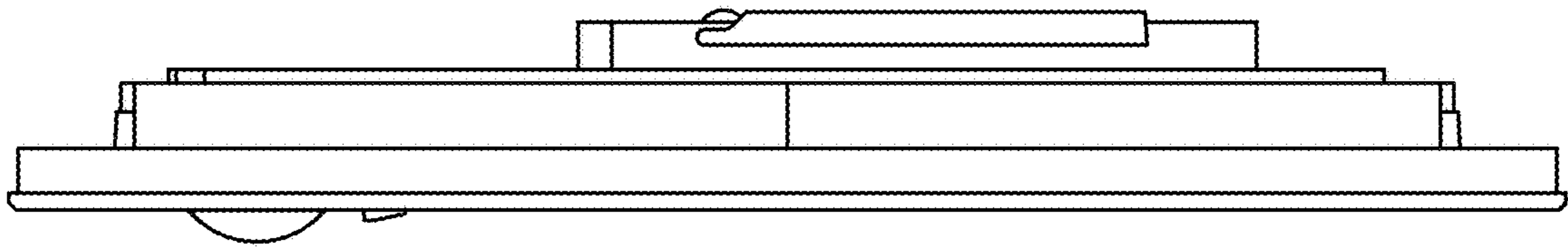


Fig. 5

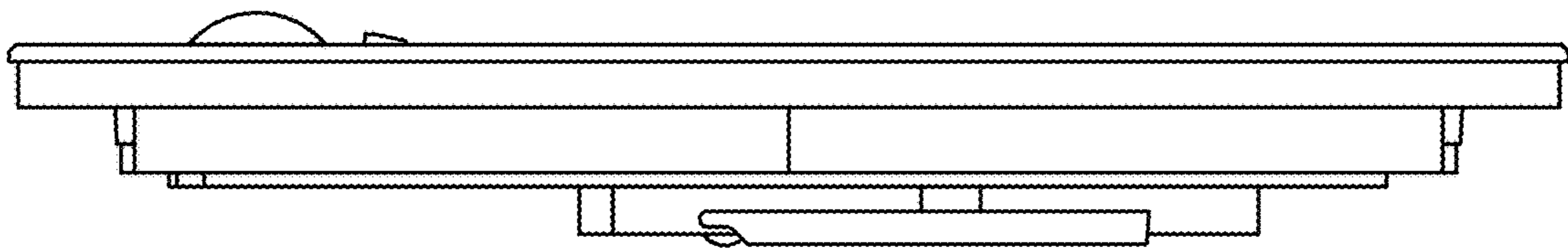


Fig.6

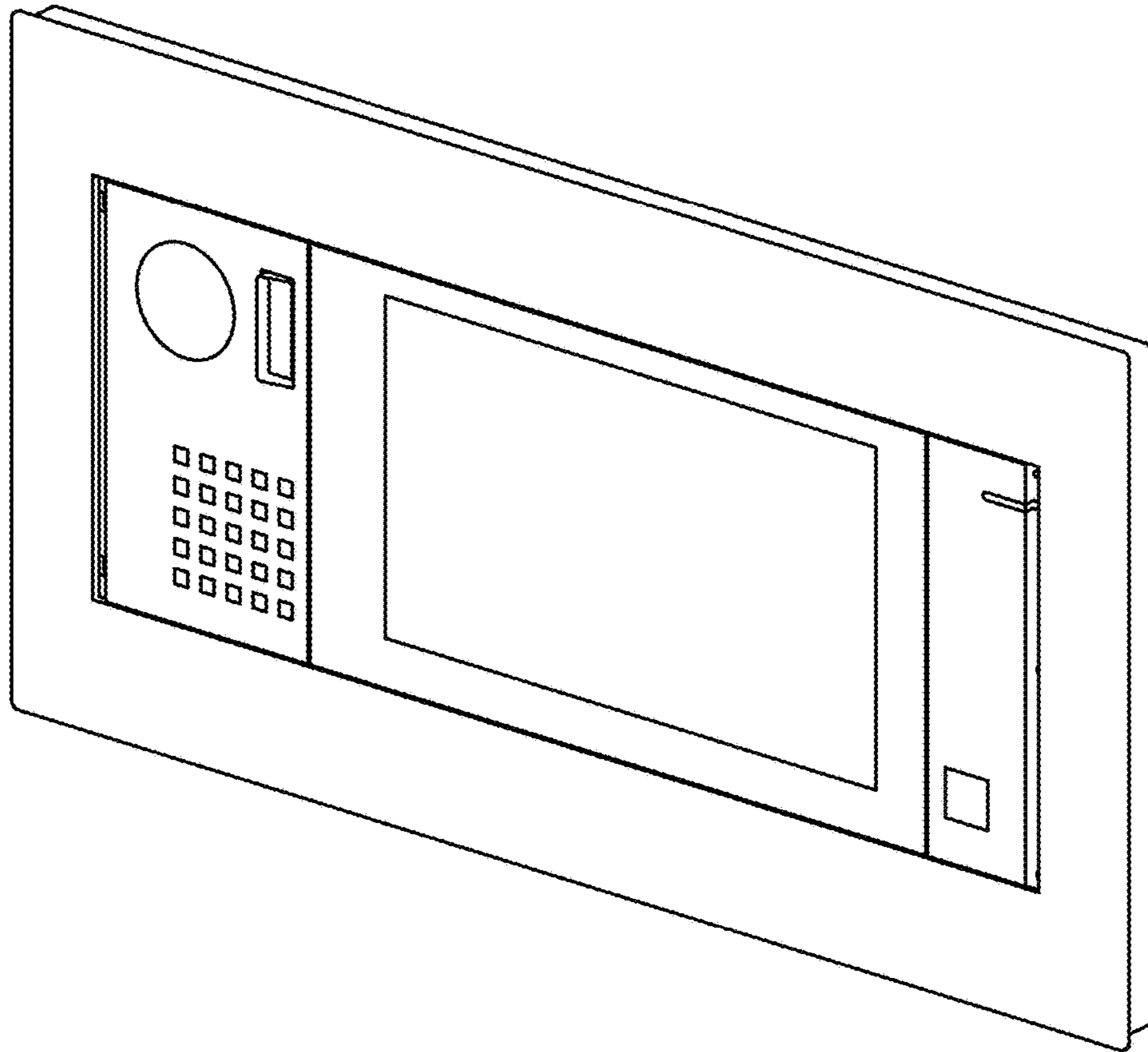


Fig.7