



US00D820803S

(12) **United States Design Patent**
Hu

(10) **Patent No.:** **US D820,803 S**
(45) **Date of Patent:** **** Jun. 19, 2018**

(54) **WIRELESS TRANSMITTER**

D808,919 S * 1/2018 Yin D14/155
D808,920 S * 1/2018 Yin D14/155
D812,033 S * 3/2018 Yin D14/155

(71) Applicant: **VTIN TECHNOLOGY CO., LIMITED**, Hong Kong (HK)

FOREIGN PATENT DOCUMENTS

(72) Inventor: **Zaihui Hu**, Shenzhen (CN)

EM 003471382-0001 12/2016
EM 003518935-0001 12/2016

(73) Assignee: **VTIN TECHNOLOGY CO., LIMITED**, Hong Kong (HK)

OTHER PUBLICATIONS

(**) Term: **15 Years**

Nulaxy Wireless In-Car Bluetooth FM Transmitter Radio Adapter Car Kit W 1.44 Inch Display Supports TF/SD Card and USB Car Charger for All Smartphones Audio Players, <https://www.amazon.com/dp/B018E0I0II>, Nulaxy.

(21) Appl. No.: **29/641,279**

AGPtEK Bluetooth FM Transmitter With Quick Charge 3.0 Wireless In-Car Radio Transmitter Adapter Support AUX Input/TF Card/USB Flash Drive/Hands-Free Calling, <https://www.amazon.co.uk/dp/B075XK6PYC>, MYPIN.

(22) Filed: **Mar. 21, 2018**

(30) **Foreign Application Priority Data**

Oct. 2, 2017 (EM) 004382588-0001

(51) **LOC (11) Cl.** **14-03**

(52) **U.S. Cl.**
USPC **D14/155**

(58) **Field of Classification Search**
USPC D14/167, 154, 168, 188, 496, 156, 160,
D14/161, 162, 163, 164, 165, 158, 341,
D14/346, 342, 345, 137, 155, 218, 225;
D16/208; D26/38; 455/351, 350;
D10/104.1, 106, 65

CPC H04B 1/385; H04M 1/6091; H04M 1/6066
See application file for complete search history.

* cited by examiner

Primary Examiner — Austin Murphy
(74) *Attorney, Agent, or Firm* — JCIPRNET

(56) **References Cited**

U.S. PATENT DOCUMENTS

D524,285 S * 7/2006 Dayan D14/155
D541,254 S * 4/2007 Dayan D14/155
D548,719 S * 8/2007 Dayan D14/155
D728,508 S * 5/2015 Breines D14/155
D743,926 S * 11/2015 Liao D14/155
D795,832 S * 8/2017 Du D14/155
D800,685 S * 10/2017 Xiao D14/155
D805,496 S * 12/2017 Yin D14/155

(57) **CLAIM**

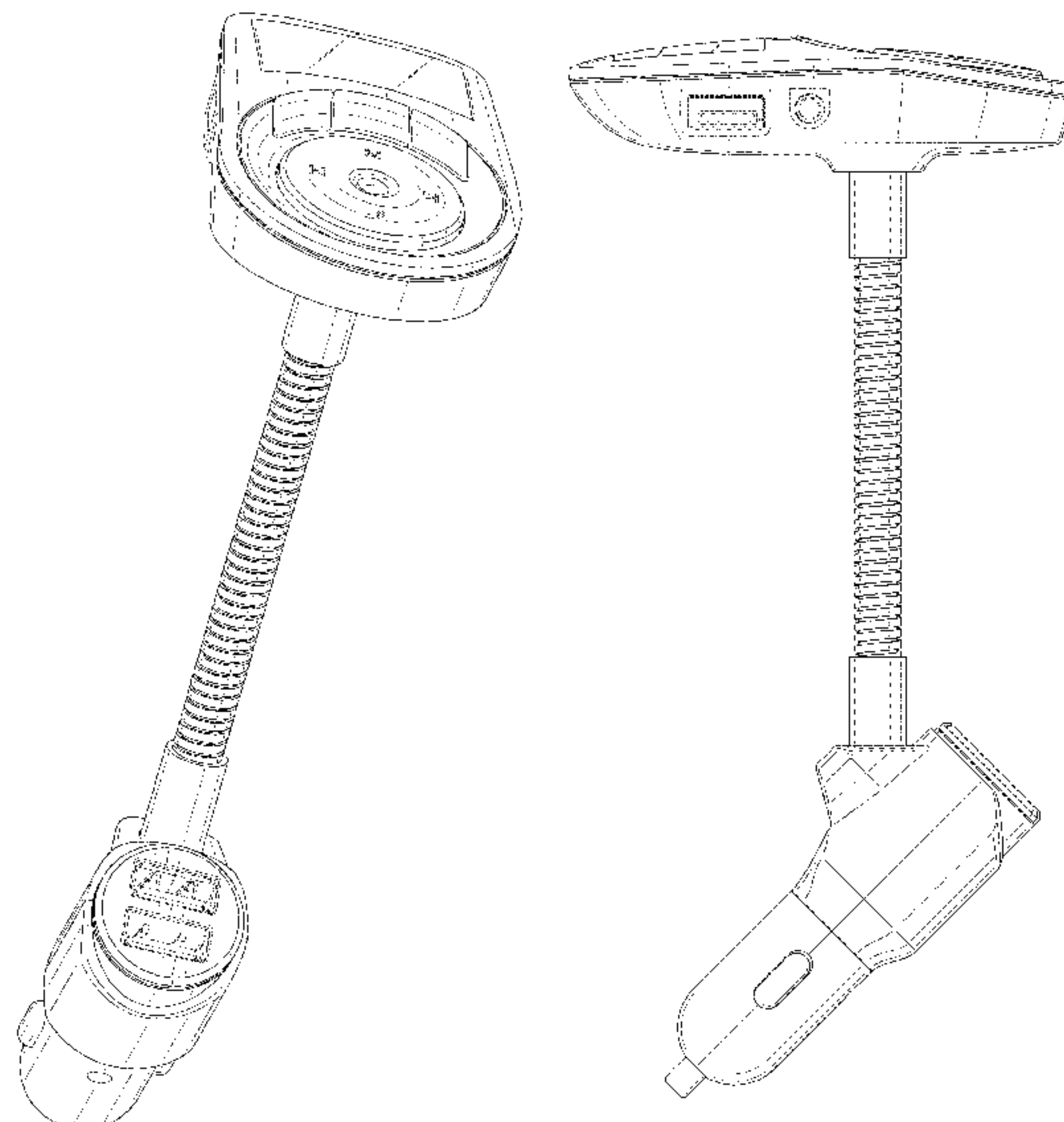
The ornamental design for a wireless transmitter, as shown and described.

DESCRIPTION

FIG. 1 is a perspective view of a wireless transmitter showing my new design;
FIG. 2 is a front view thereof;
FIG. 3 is a rear view thereof;
FIG. 4 is a left side view thereof;
FIG. 5 is a right side view thereof;
FIG. 6 is a top view thereof; and,
FIG. 7 is a bottom view thereof.

The broken lines showing portions of the wireless transmitter represent unclaimed portions of the claimed design and form no part of the claimed design.

1 Claim, 6 Drawing Sheets



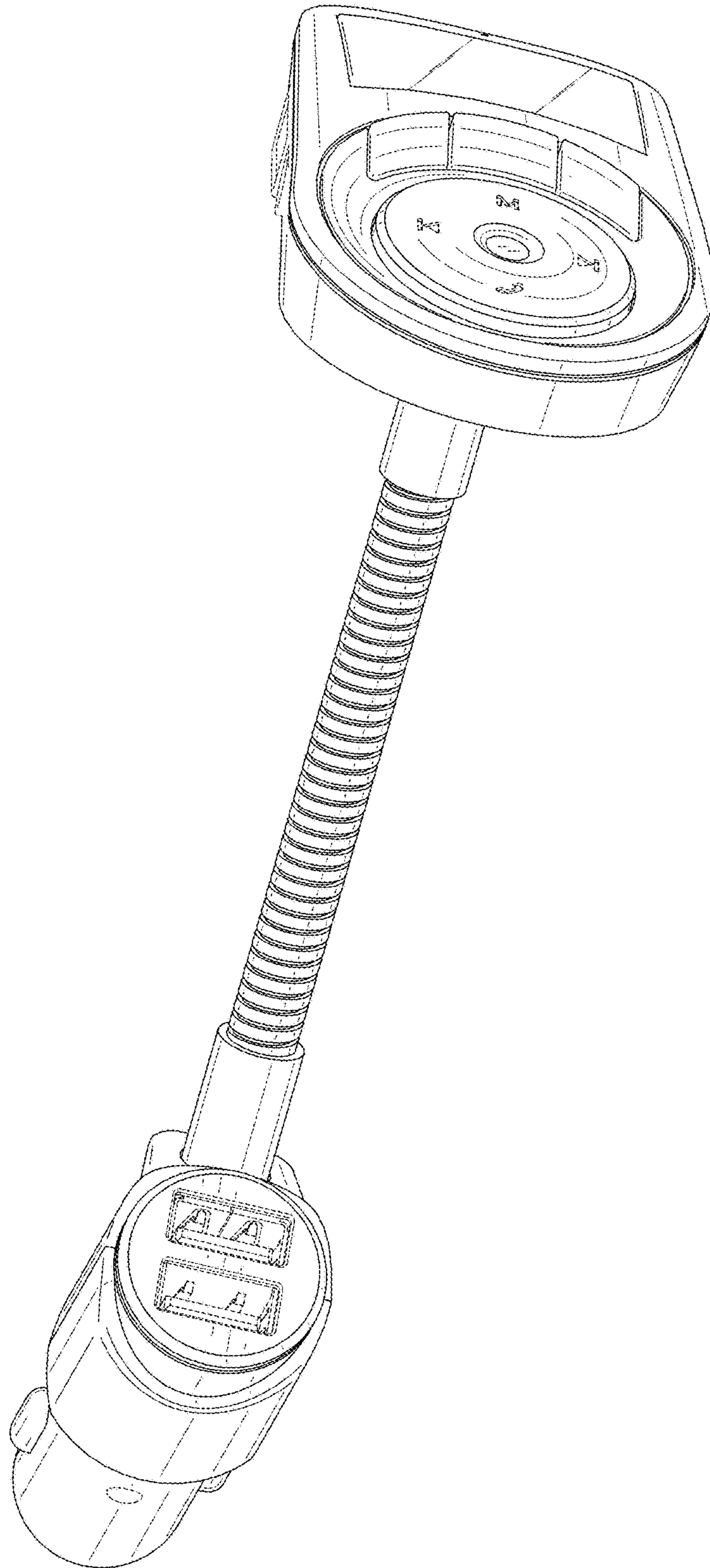


FIG. 1

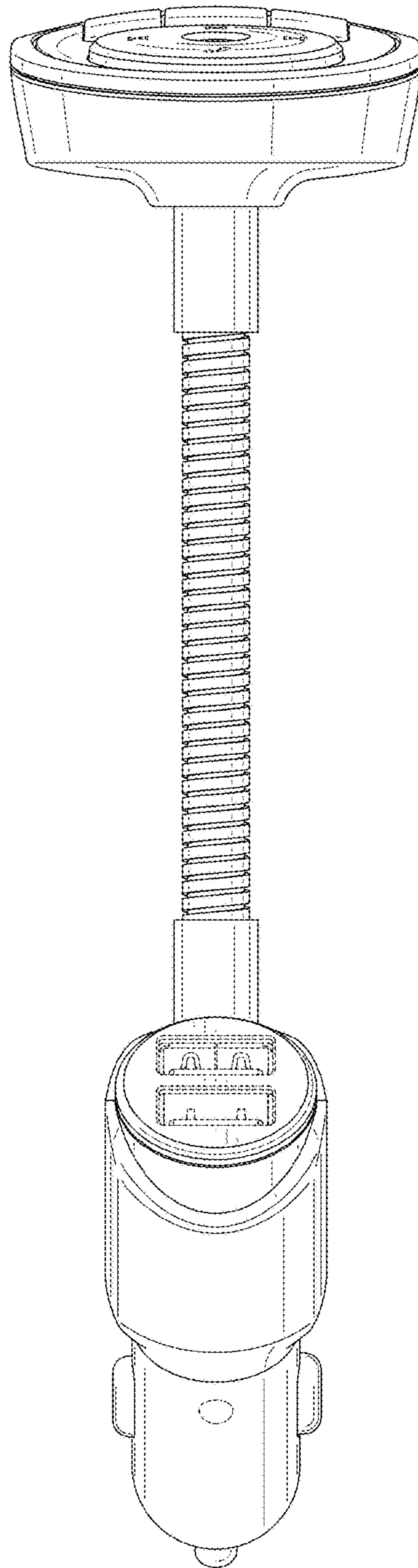


FIG. 2

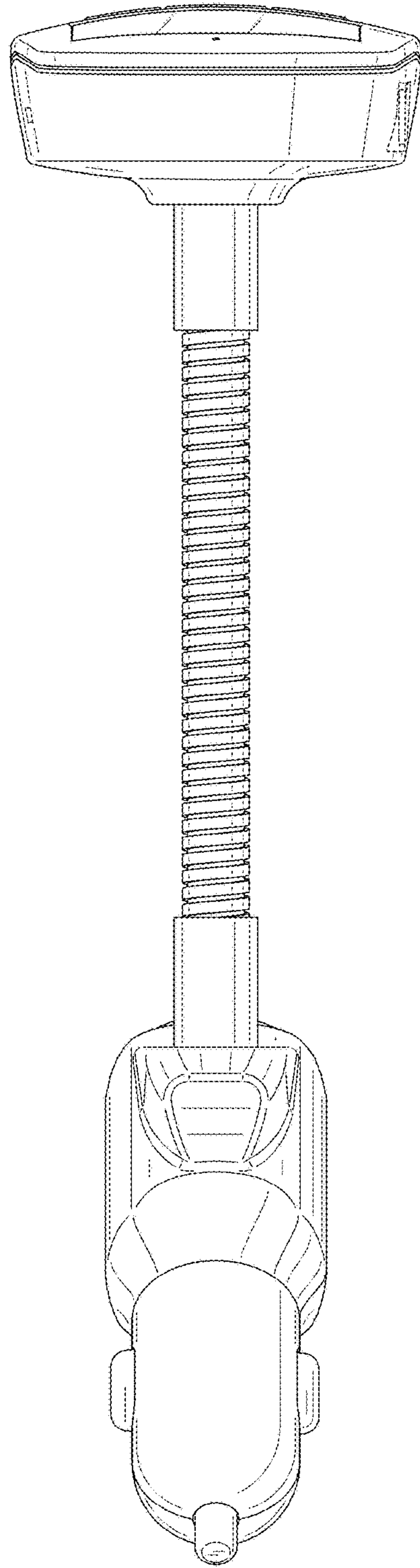


FIG. 3

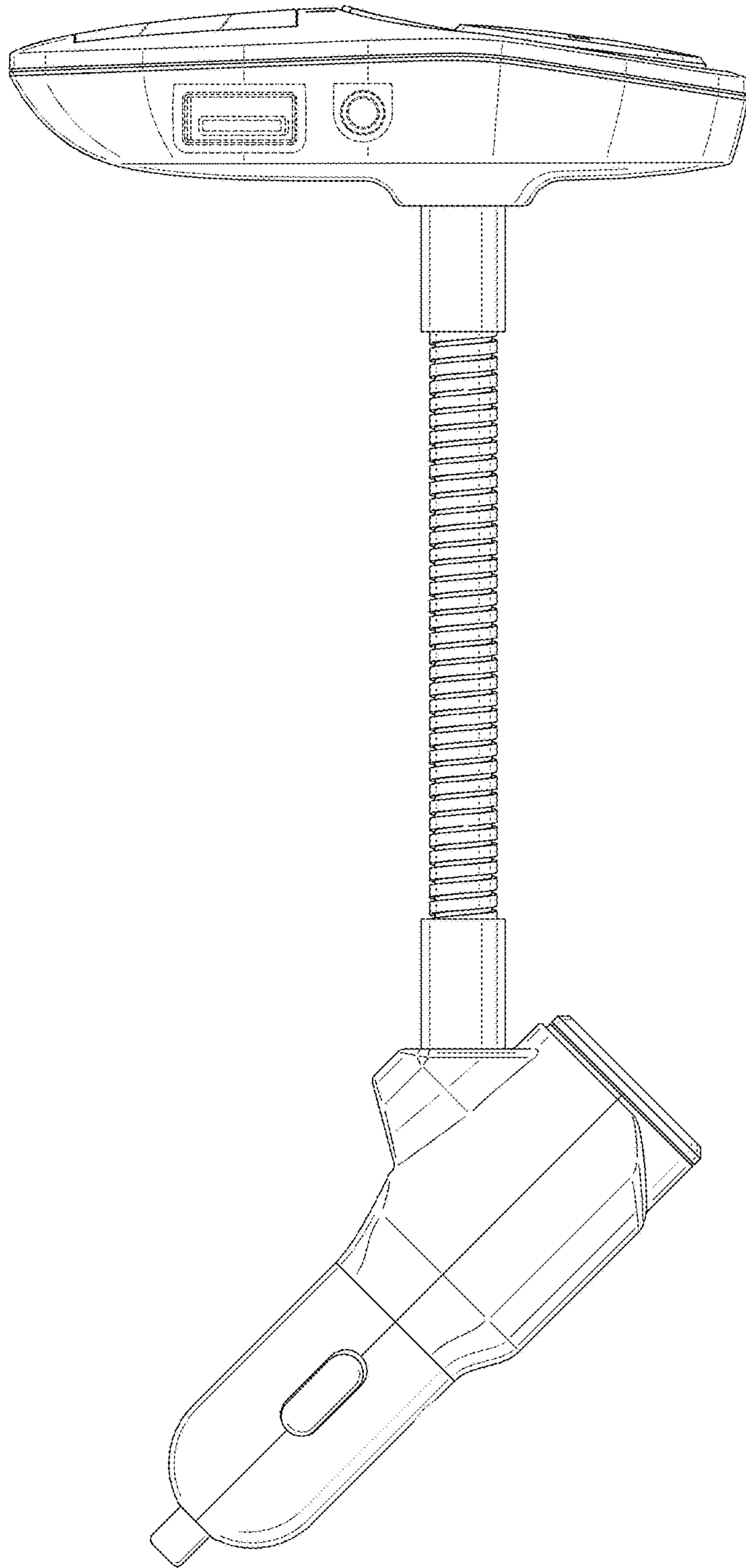


FIG. 4

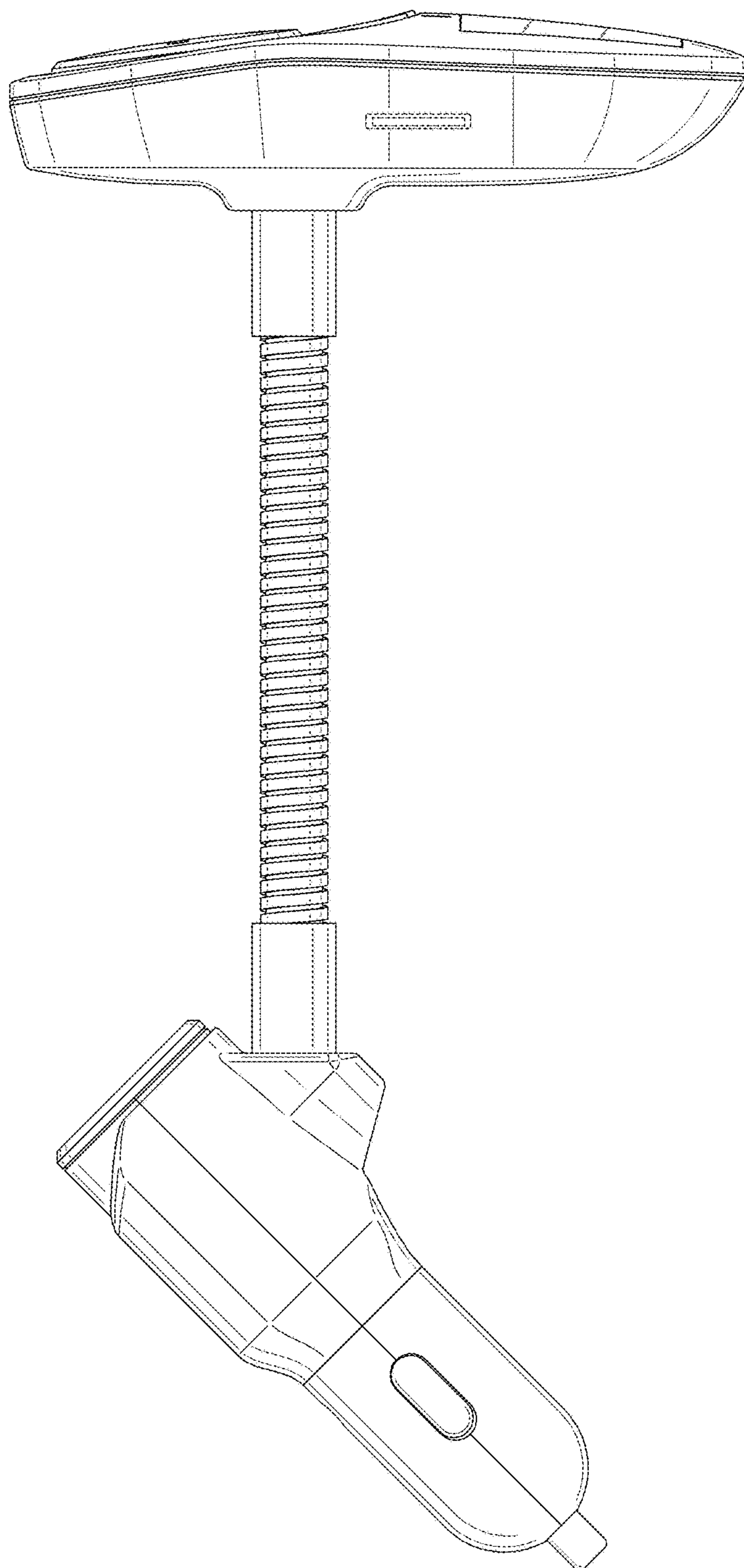


FIG. 5

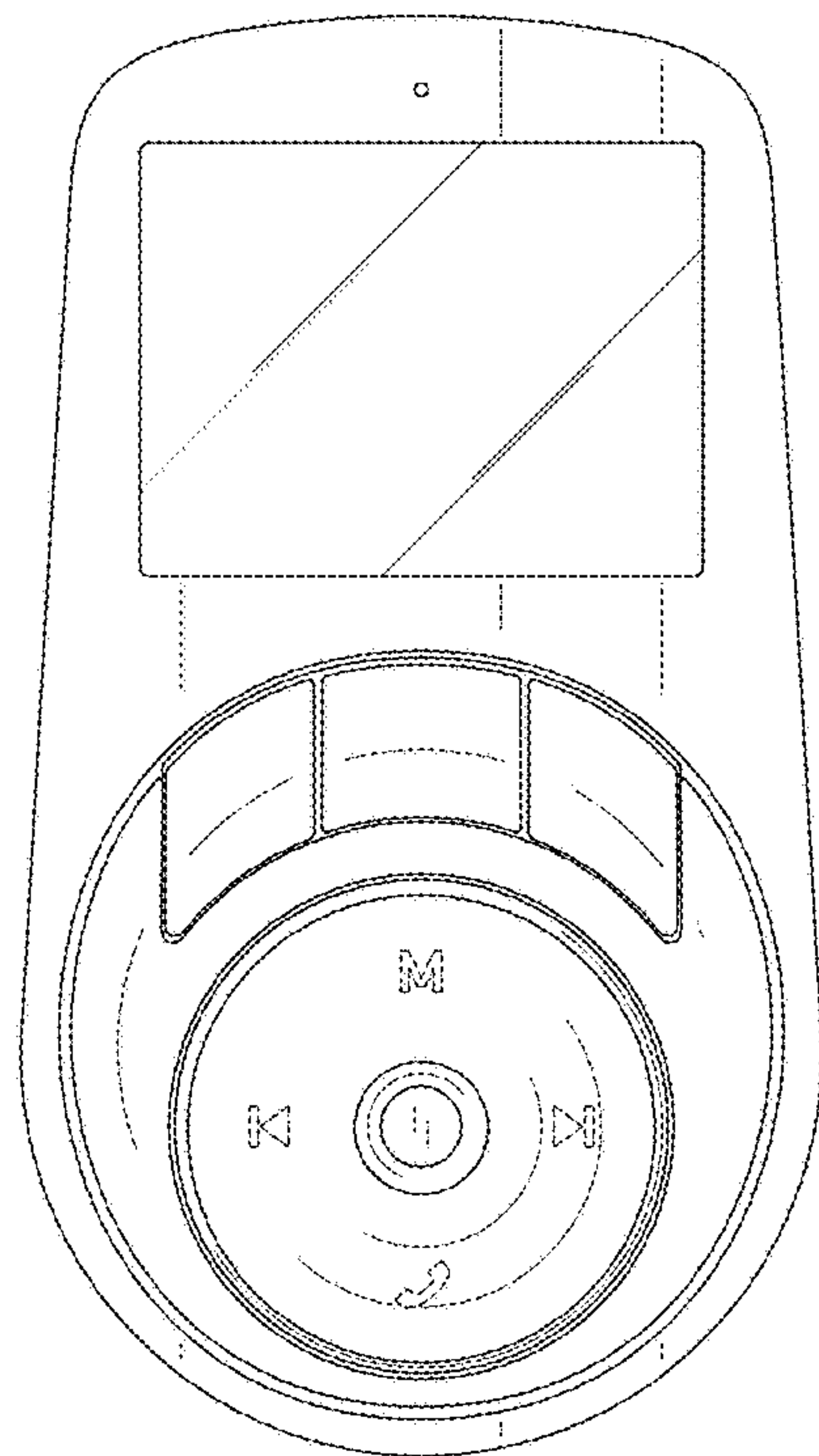


FIG. 6

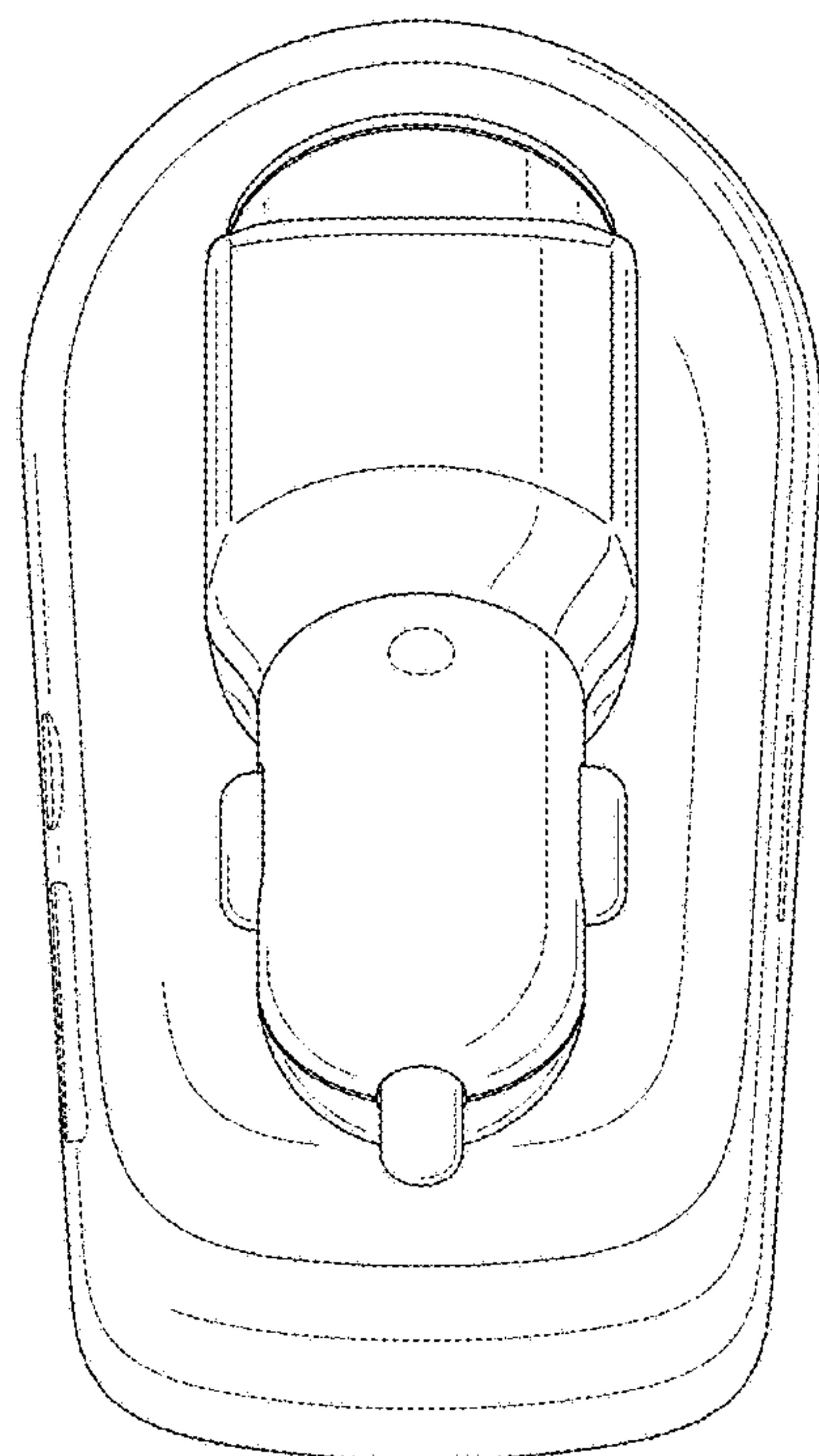


FIG. 7