



US00D820802S

(12) **United States Design Patent** (10) **Patent No.:** **US D820,802 S**
Hamann et al. (45) **Date of Patent:** **** Jun. 19, 2018**

(54) **UNIT FOR CONFERENCE SYSTEM**

(56) **References Cited**

(71) Applicant: **Sennheiser electronic GmbH & Co. KG, Wedemark (DE)**

U.S. PATENT DOCUMENTS

(72) Inventors: **Matthis Hamann, Grünwal (DE); Christian Rogge, München (DE); Christian Moser, München (DE); Jan König, München (DE); Florian Wübert, München (DE)**

D192,637 S *	4/1962	Judson	D14/243
D211,180 S *	5/1968	Boldt et al.	D14/212
D215,040 S *	8/1969	Abe	D10/106.5
D215,449 S *	10/1969	Kaminski et al.	D14/212
D217,154 S *	4/1970	Boldt et al.	D14/212
D218,614 S *	9/1970	Yurdin	D14/212
D223,255 S *	4/1972	Boldt et al.	D14/212
D230,997 S *	3/1974	Shannon	D14/211
D257,346 S *	10/1980	Garrigus	D14/228
D259,786 S *	7/1981	Leeson	D14/242

(73) Assignee: **Sennheiser electronic GmbH & Co. KG, Wedemark (DE)**

(Continued)

(**) Term: **15 Years**

FOREIGN PATENT DOCUMENTS

(21) Appl. No.: **29/563,968**

DE 102015120592 A1 * 6/2017

(22) Filed: **May 10, 2016**

OTHER PUBLICATIONS

(30) **Foreign Application Priority Data**

Duophon. duophon.com [online PDF] 3 pgs. Uploaded 2015 [Retrieved on Aug. 9, 2017] http://www.duophon.com/extensions/bibliothek/PDF/Productdescription_AW901_2015_en.pdf.*

Nov. 10, 2015 (EM) 002853838

(Continued)

(51) **LOC (11) Cl.** **14-03**

Primary Examiner — Susan Bennett Hattan

(52) **U.S. Cl.**

Assistant Examiner — Marie D. Fast Horse

USPC **D14/149**; D14/216; D14/226

(74) *Attorney, Agent, or Firm* — Haug Partners LLP

(58) **Field of Classification Search**

(57) **CLAIM**

USPC ... D14/140, 141.1, 142, 144, 147, 149, 150, D14/168, 172, 204, 209.1, 211, 212, 213, D14/215, 216, 221, 225, 226, 227, 228, D14/240, 242, 243, 299, 496, 356, 358; D13/108, 110, 133; D10/46, 75, 104.1, D10/106.1, 106.2, 106.3, 106.5, 106.6, D10/106.92, 106.93, 114.6, 114.9; D23/351, 355, 360, 364, 366

The ornamental design for a unit for conference system, as shown and described.

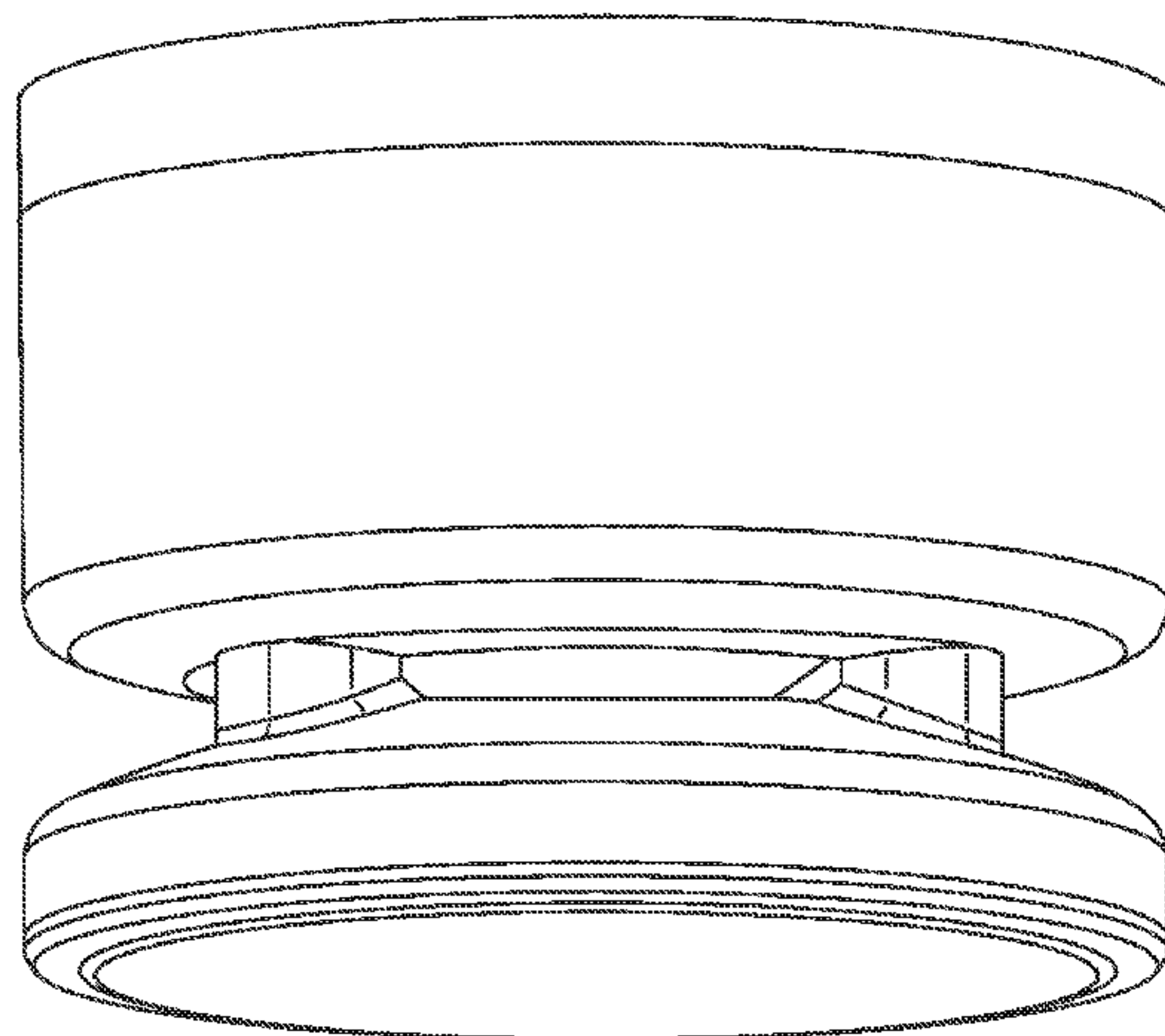
CPC . H04R 1/00; H04R 1/02; H04R 1/021; H04R 1/028; H04R 1/04; H04M 1/6033; H04M 1/6041; H04M 1/62; H04M 3/567; H04M 9/08; H04M 9/082

DESCRIPTION

See application file for complete search history.

FIG. 1 is a left side view of a unit for conference system embodying the invention;
FIG. 2 is a rear view thereof;
FIG. 3 is a right side view thereof;
FIG. 4 is a front view thereof;
FIG. 5 is a top view thereof;
FIG. 6 is a bottom view thereof; and,
FIG. 7 is a front-bottom perspective view thereof.

1 Claim, 7 Drawing Sheets



(56)

References Cited

U.S. PATENT DOCUMENTS

D277,853 S * 3/1985 Thomas D14/212
 D288,560 S * 3/1987 Anderson D14/212
 D360,635 S * 7/1995 Mark D14/212
 D362,441 S * 9/1995 Mark D14/216
 D364,165 S * 11/1995 Esslinger D14/213
 D364,871 S * 12/1995 Esslinger D14/211
 D457,150 S * 5/2002 Chen D14/150
 D465,484 S * 11/2002 Christianson D14/299
 D474,169 S * 5/2003 Fletcher D14/159
 D563,391 S * 3/2008 Skurdal D14/172
 D588,064 S * 3/2009 Garner D13/133
 D598,020 S * 8/2009 Lu D14/358
 D602,911 S * 10/2009 Wang D14/216
 D604,719 S * 11/2009 Cornell D14/216
 D615,530 S * 5/2010 Dobson D14/216
 D682,805 S * 5/2013 Rath D14/149
 D714,248 S * 9/2014 Chang D14/140

D728,507 S * 5/2015 Brandis D14/149
 D743,379 S * 11/2015 Kim D14/215
 D770,418 S * 11/2016 Hong D14/216
 D771,019 S * 11/2016 Lee D14/216
 D782,441 S * 3/2017 Morrison D14/204
 D786,829 S * 5/2017 Wang D14/204
 D791,735 S * 7/2017 Kalyuzhny D14/209.1
 D792,397 S * 7/2017 Ma D14/358
 2012/0224714 A1* 9/2012 Couse H04R 1/406
 381/92

OTHER PUBLICATIONS

Speakerphones and Loudspeakers. (Design—© Questel). orbit.com.
 [online PDF] 19 pgs. Print Dates range Nov. 16, 2012 Nov. 16, 2012
 through May 3, 2017 [retrieved on Aug. 9, 2017] [https://sobjprd.
 questel.fr/export/QPTUJ214/pdf2/3fb2bc41-1369-4fb8-a34e-
 ab8ccd4bdcba-202300.pdf](https://sobjprd.questel.fr/export/QPTUJ214/pdf2/3fb2bc41-1369-4fb8-a34e-ab8ccd4bdcba-202300.pdf)*

* cited by examiner

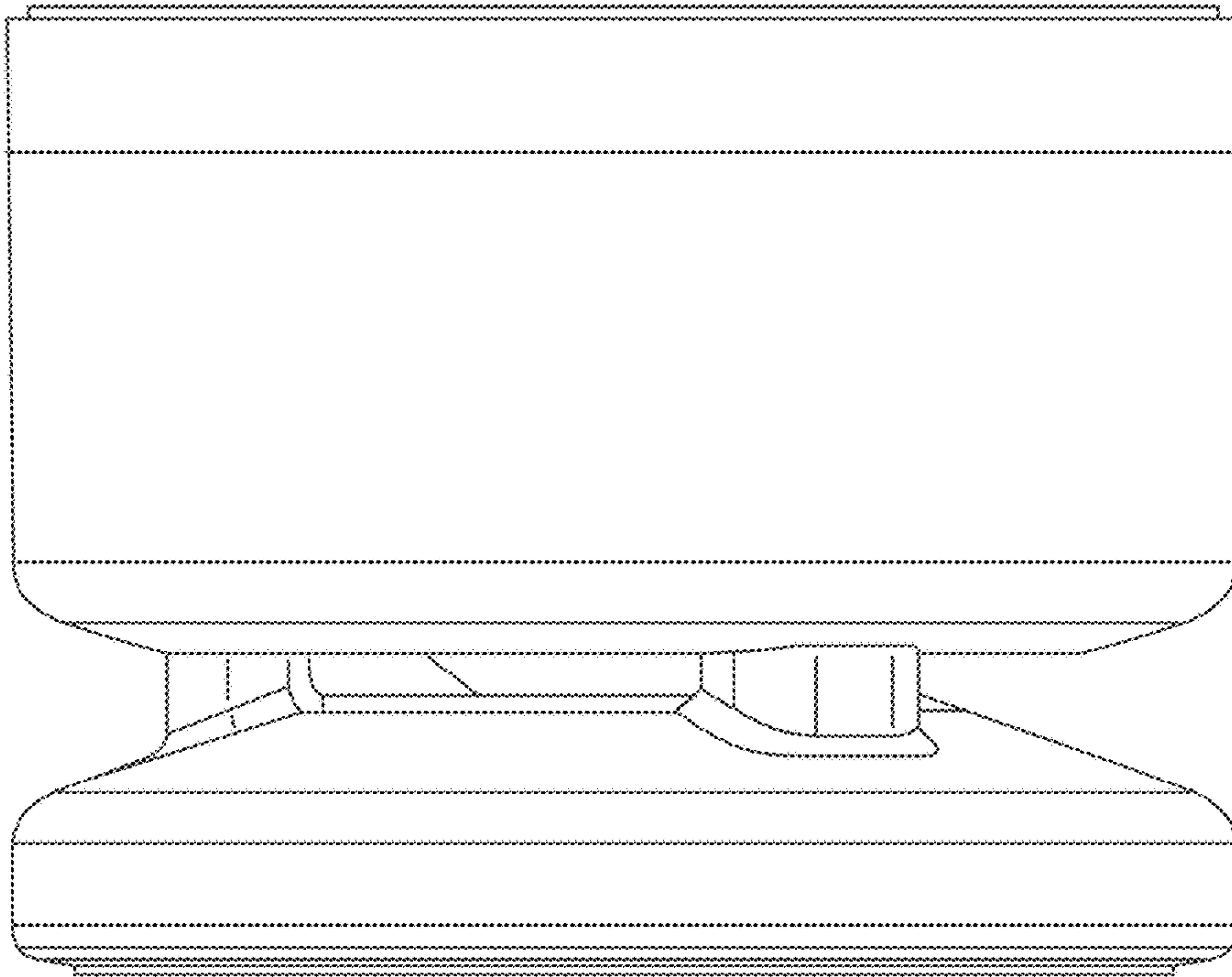


Fig. 1

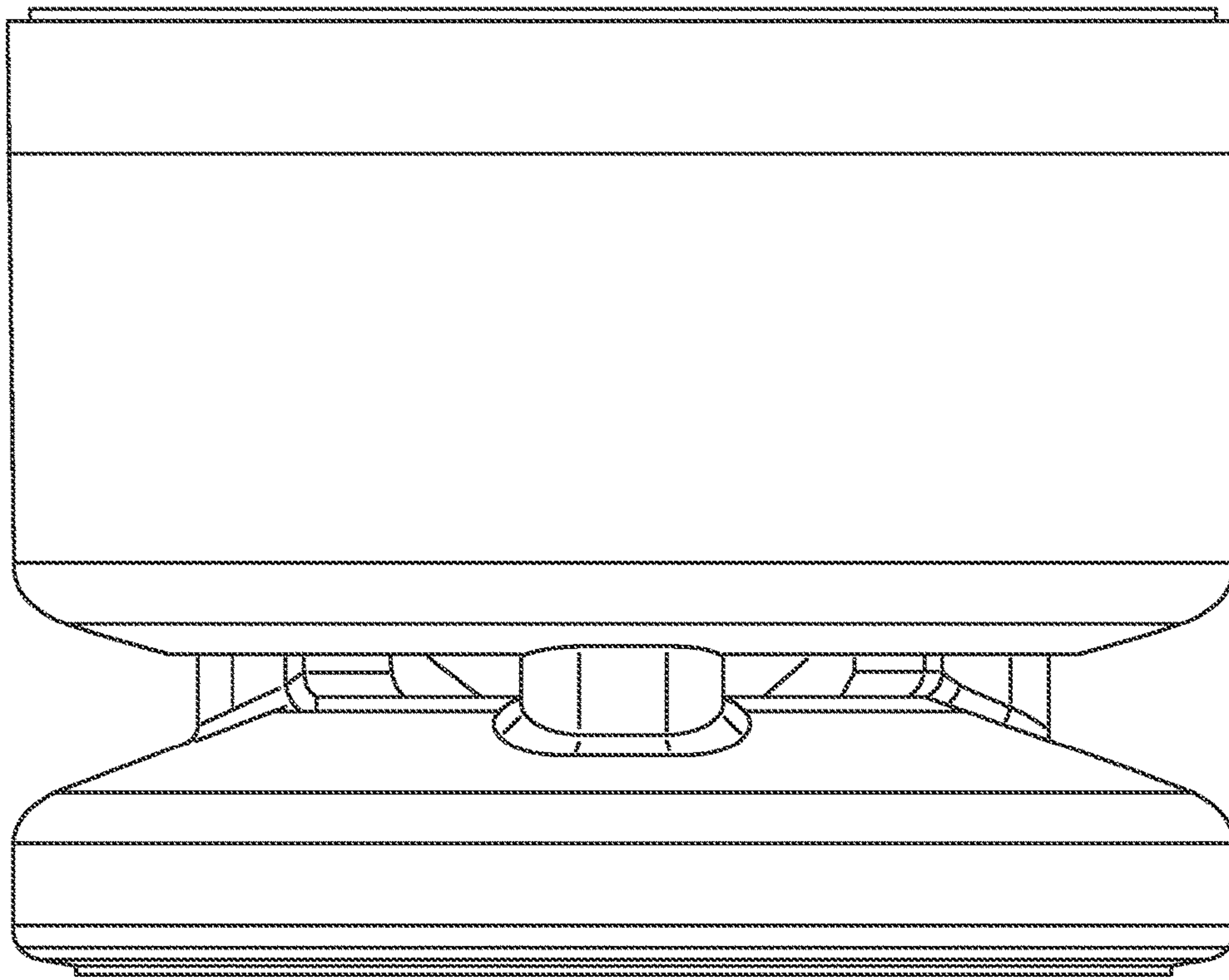


Fig. 2

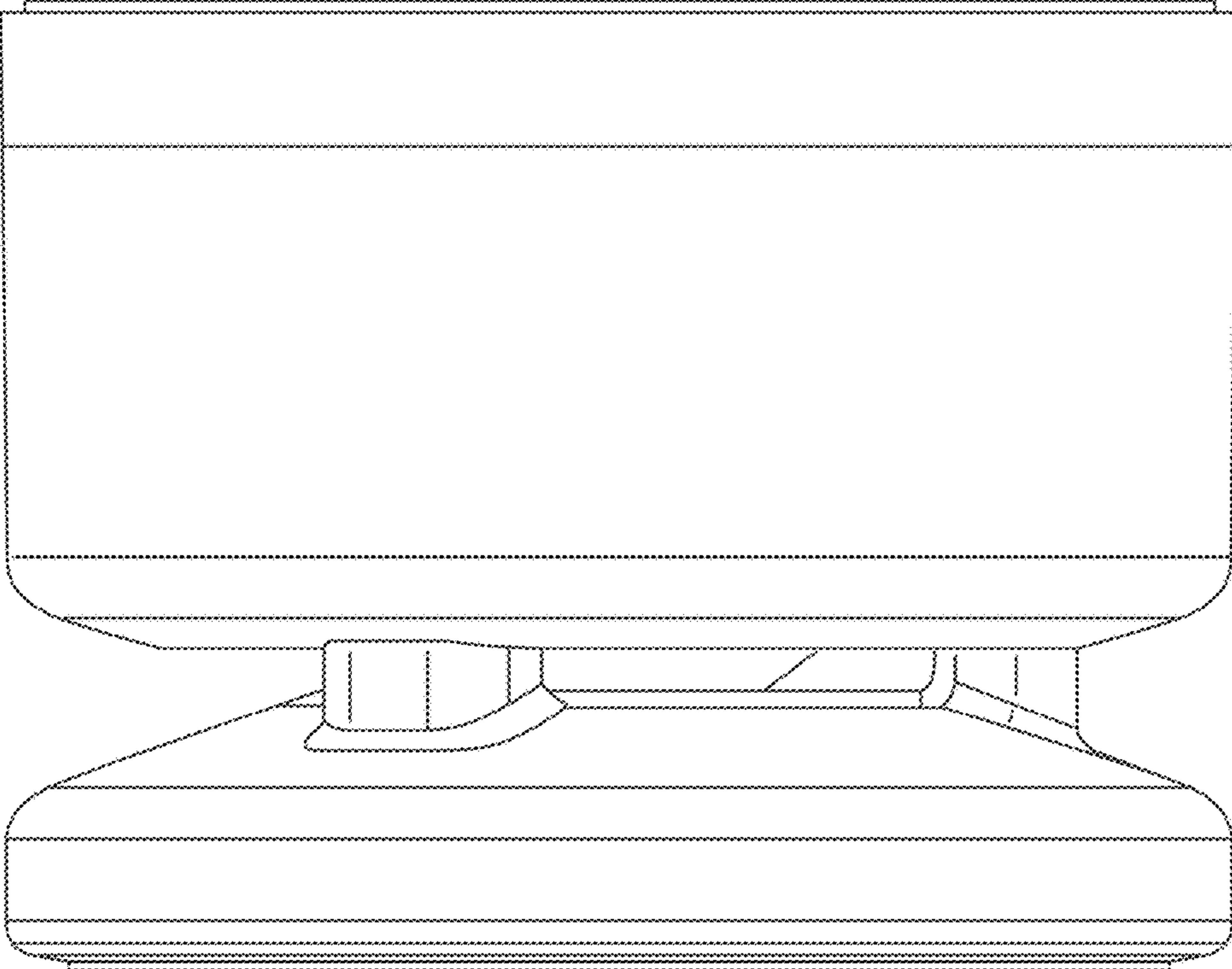


Fig. 3

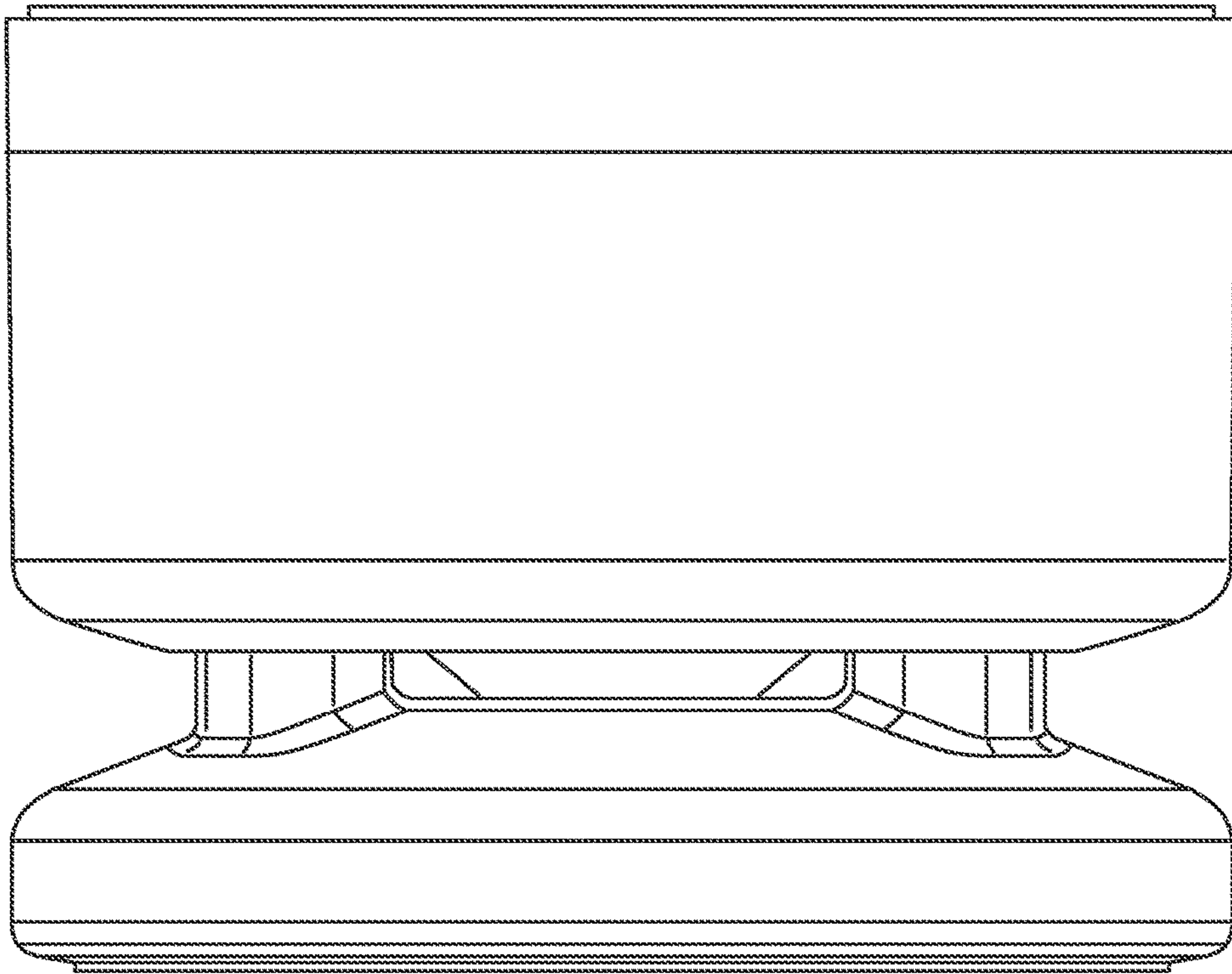


Fig. 4

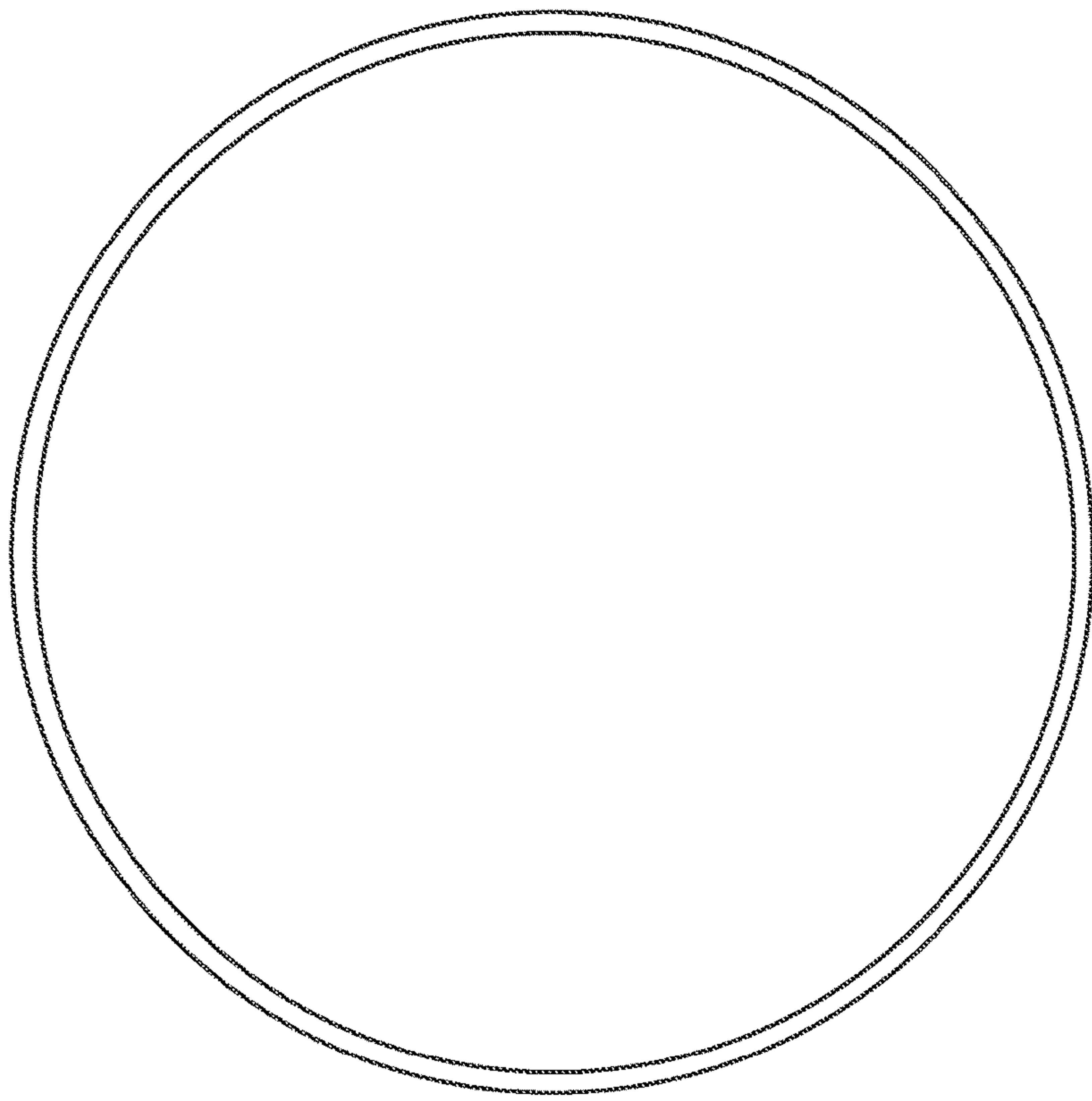


Fig. 5

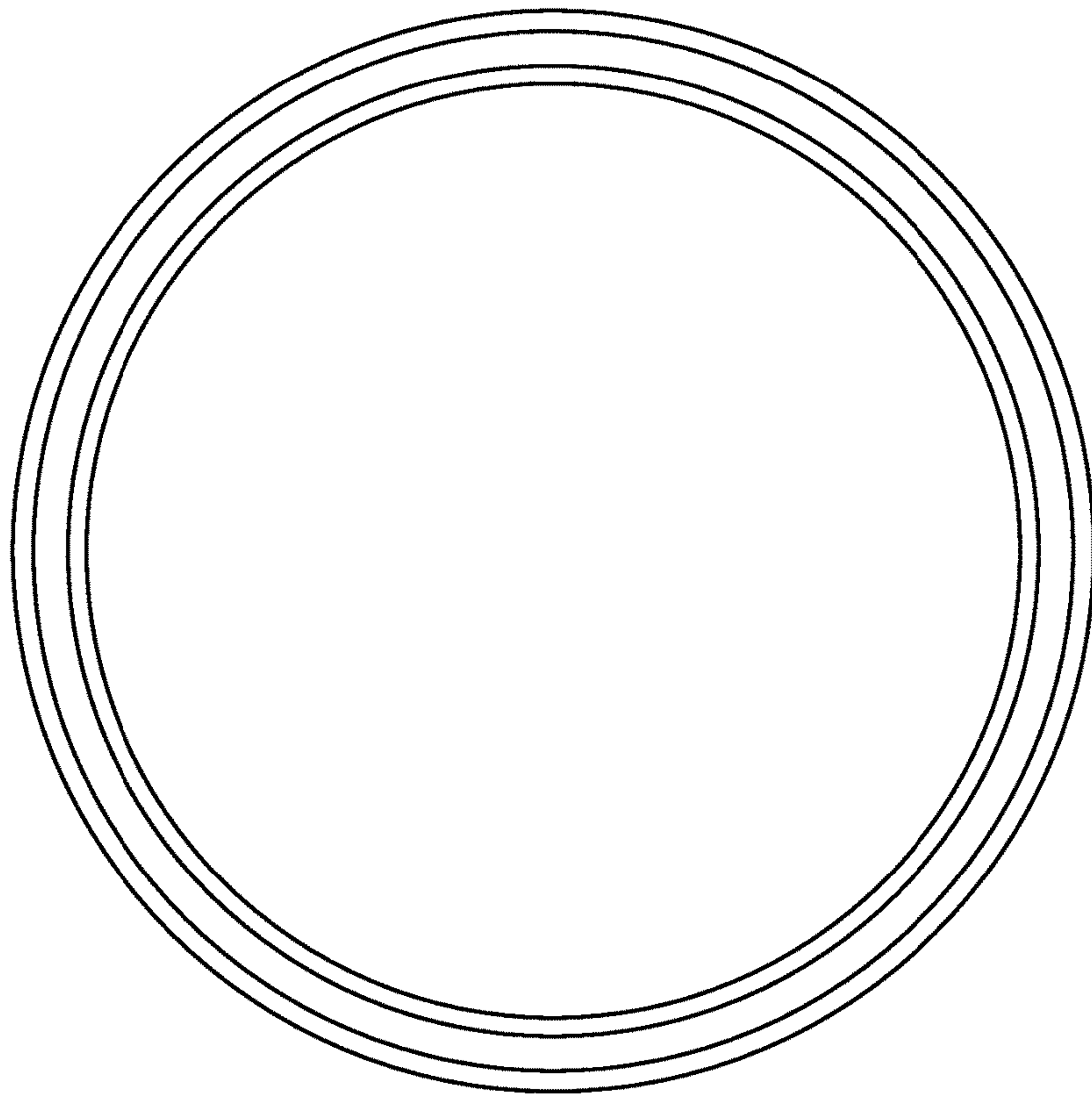


Fig. 6

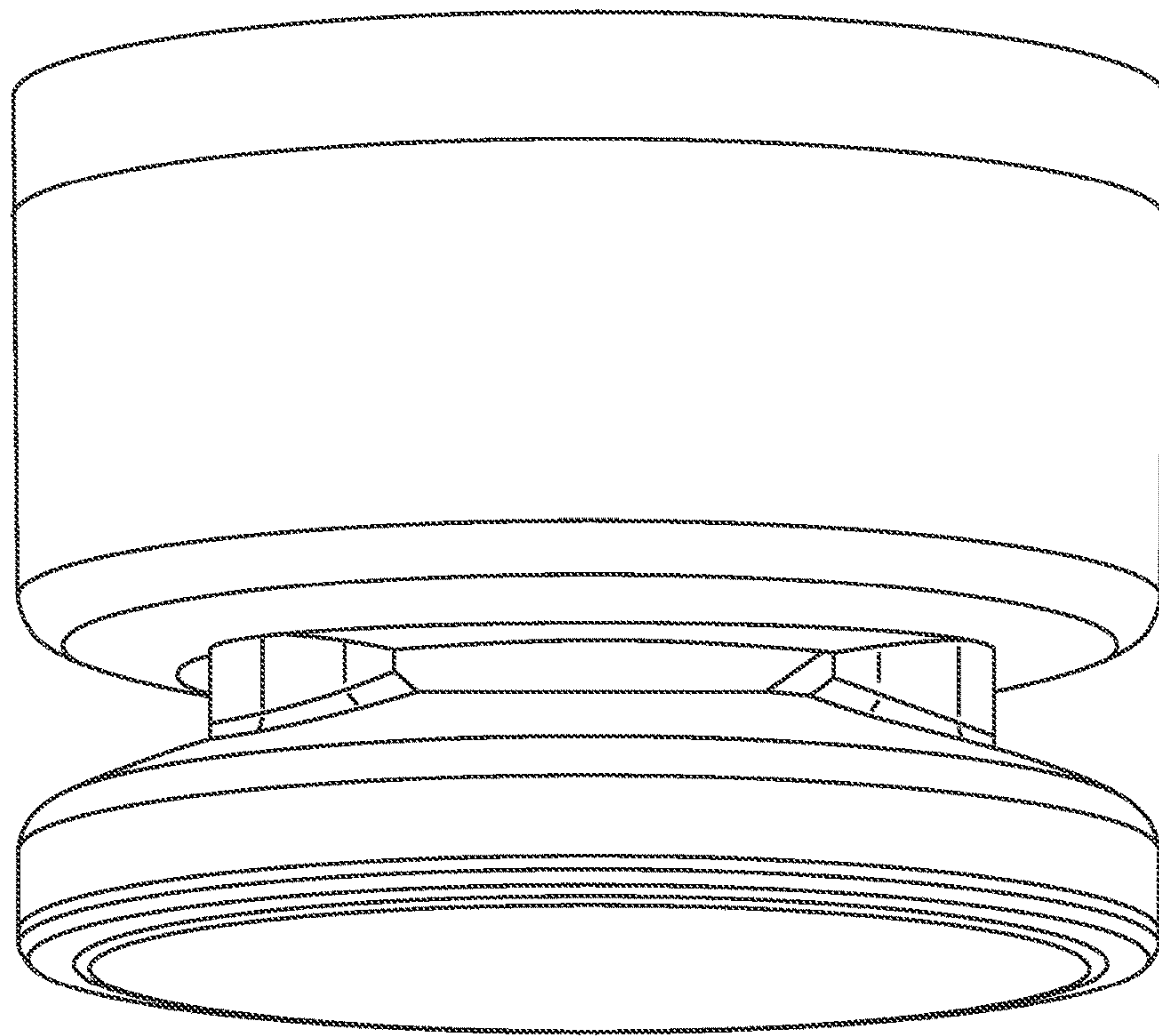


Fig. 7