



US00D820799S

(12) **United States Design Patent**
Kim et al.

(10) **Patent No.:** **US D820,799 S**
(45) **Date of Patent:** **** Jun. 19, 2018**

(54) **AUDIO VISUAL BOX FOR TV RECEIVER**

(71) Applicant: **LG ELECTRONICS INC.**, Seoul (KR)

(72) Inventors: **Yooseok Kim**, Seoul (KR); **Jongyoun Shin**, Seoul (KR); **Sunha Park**, Seoul (KR); **Younsoo Kim**, Seoul (KR); **Byungmu Huh**, Seoul (KR)

(73) Assignee: **LG Electronics Inc.**, Seoul (KR)

(**) Term: **15 Years**

(21) Appl. No.: **35/501,860**

(22) Filed: **May 11, 2016**

(80) **Hague Agreement Data**

Int. Filing Date: **May 11, 2016**

Int. Reg. No.: **DM/091563**

Int. Reg. Date: **May 11, 2016**

Int. Reg. Pub. Date: **Nov. 11, 2016**

(30) **Foreign Application Priority Data**

Nov. 13, 2015 (KR) 30-2015-0057407

(51) **LOC (11) Cl.** **14-03**

(52) **U.S. Cl.**
USPC **D14/125**

(58) **Field of Classification Search**
USPC D14/125-134, 136, 159, 188, 239, 242, D14/253, 336, 342, 371, 374-377, 440, D14/448, 450; D15/199
CPC G03B 21/625; G03B 21/2033; H04N 9/3129; H04N 21/43; H04N 21/436; G06F 1/1601; G06F 1/1643; H05K 5/0004; H05K 5/0017; H05K 5/02; H05K 5/0217
See application file for complete search history.

(56) **References Cited**

U.S. PATENT DOCUMENTS

D186,892 S * 12/1959 Wilber D14/211
3,720,787 A * 3/1973 Ishii H04R 1/02
181/147

6,522,613 B1 * 2/2003 Frankeny A45F 5/00
206/701
D482,017 S * 11/2003 Ducreux D14/188
D514,093 S * 1/2006 Borsboom D14/216
D534,282 S * 12/2006 Adams D26/7
D537,436 S * 2/2007 Lye D14/211
D552,054 S * 10/2007 Pena Angarita D14/496
D554,108 S * 10/2007 Solland D14/217
D612,361 S * 3/2010 Wright D14/203.1
D626,147 S * 10/2010 Goddard D14/496
D643,879 S * 8/2011 Rashid D19/86
D647,508 S * 10/2011 Lee D14/216
D696,298 S * 12/2013 Britt, Jr. D14/496
D733,690 S * 7/2015 Zukowski D14/228
9,118,989 B2 * 8/2015 Zukowski H04R 1/086
D740,249 S * 10/2015 Park D14/188
D752,531 S * 3/2016 Xu D14/125
D790,500 S * 6/2017 Morisawa D14/204
D791,374 S * 7/2017 Liang D26/24

(Continued)

Primary Examiner — Melanie H Tung

Assistant Examiner — Bao-Yen T Nguyen

(74) *Attorney, Agent, or Firm* — Birch, Stewart, Kolasch & Birch, LLP

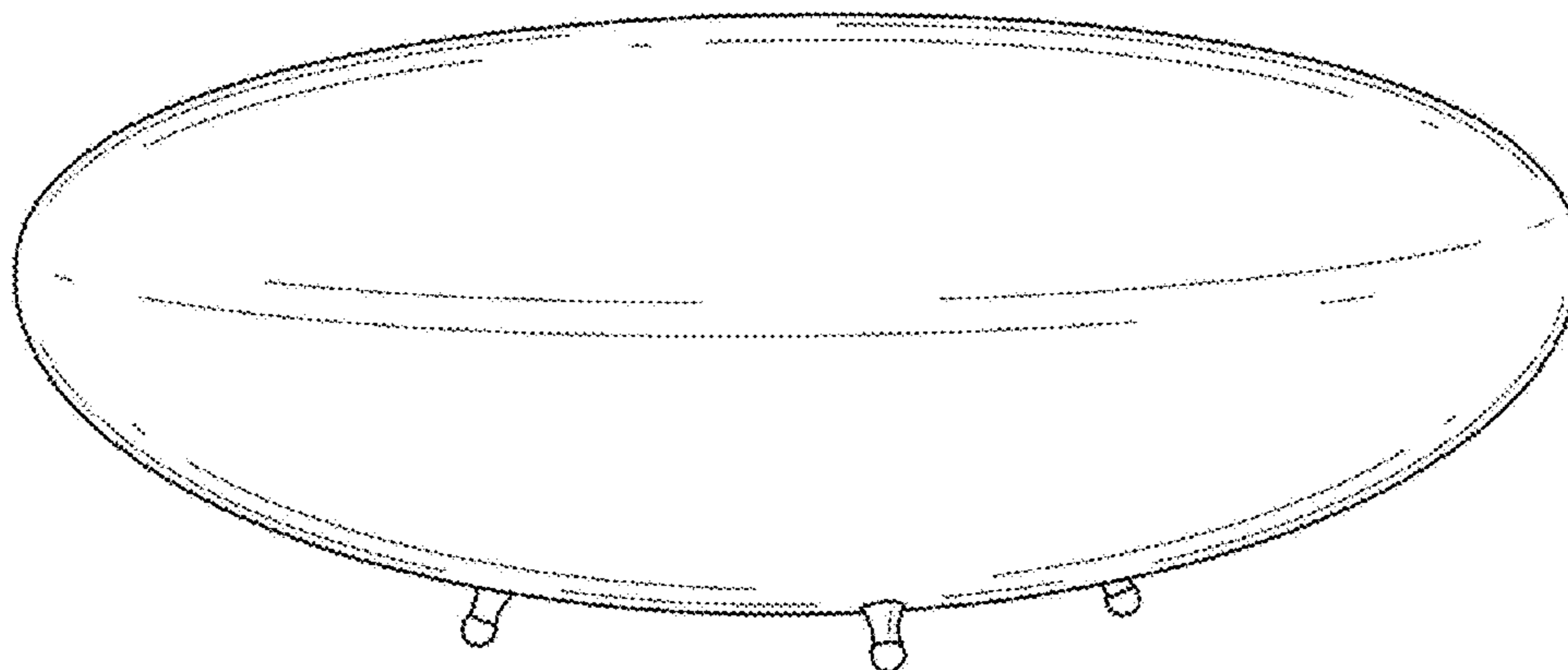
(57) **CLAIM**

The ornamental design for an audio visual box for TV receiver, as shown and described.

DESCRIPTION

- 1. Audio visual box for TV receiver
- 1.1 : Perspective
- 1.2 : Front
- 1.3 : Back
- 1.4 : Left
- 1.5 : Right
- 1.6 : Top
- 1.7 : Bottom

1 Claim, 7 Drawing Sheets



(56)

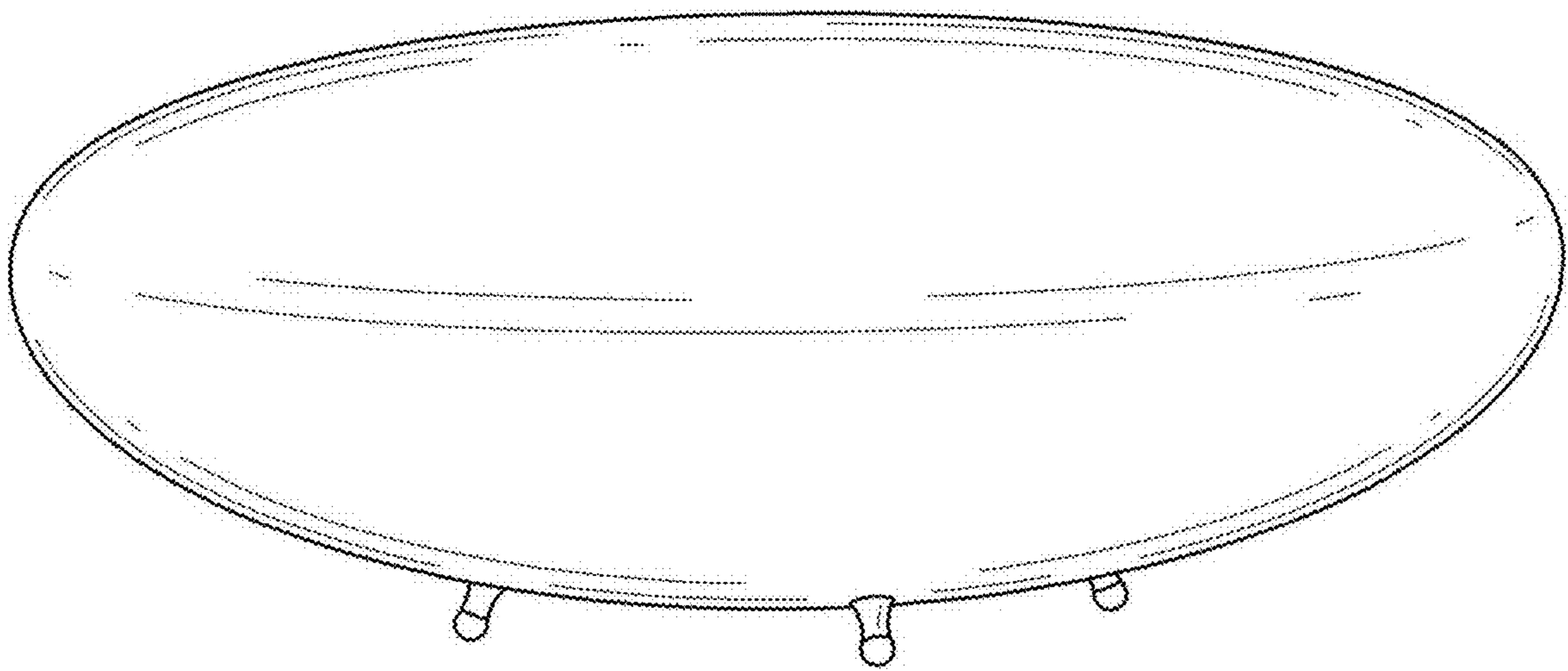
References Cited

U.S. PATENT DOCUMENTS

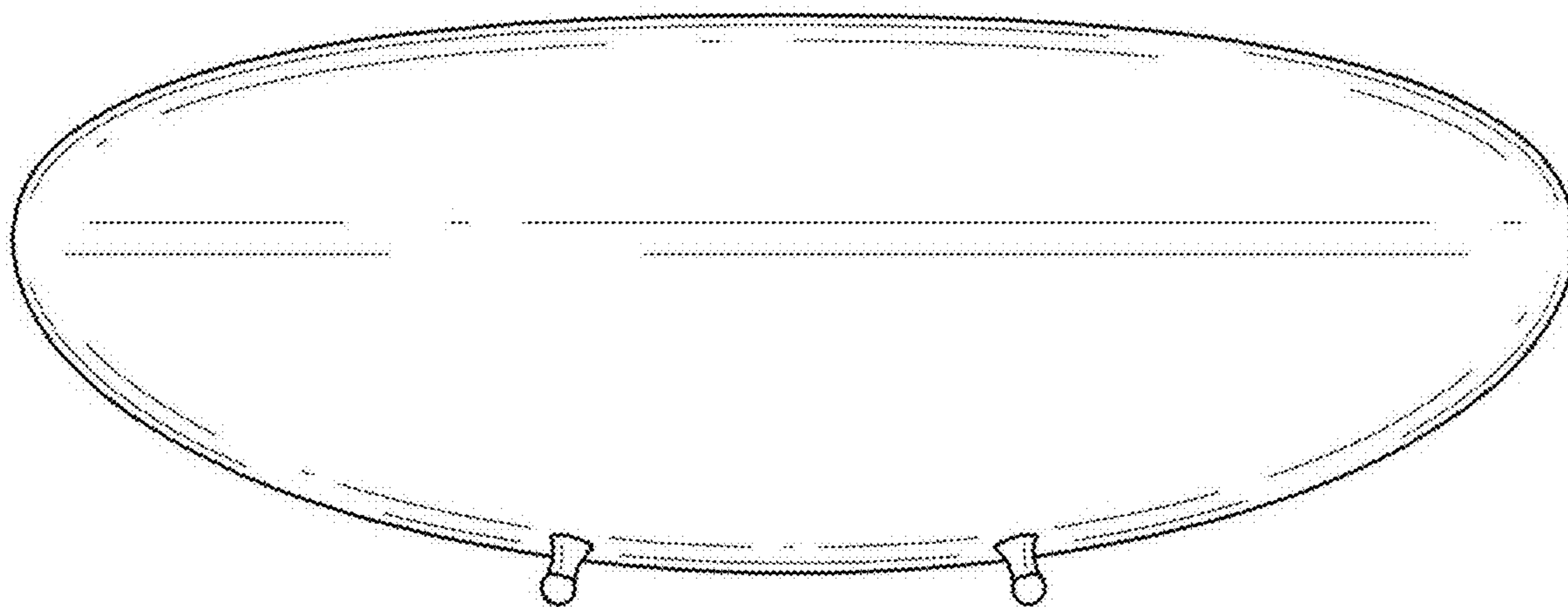
D797,575 S * 9/2017 Lai D10/22
D797,829 S * 9/2017 Lv D14/154

* cited by examiner

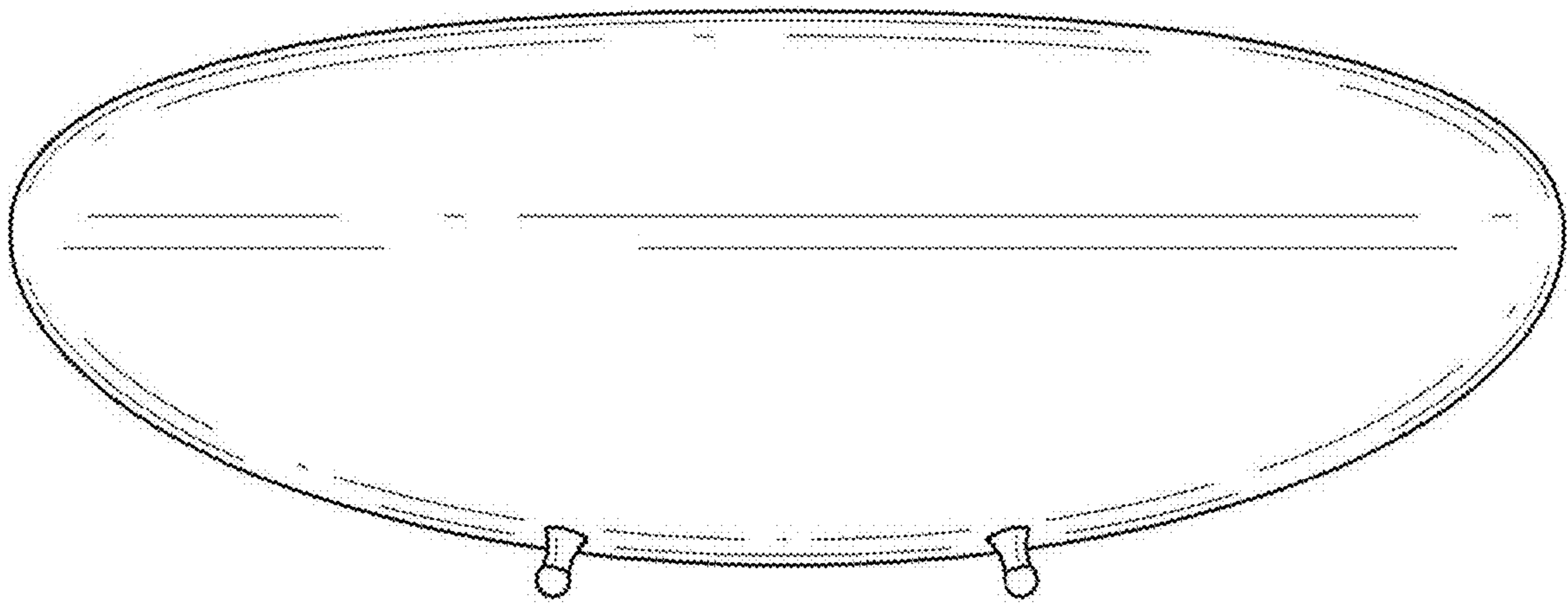
1.1



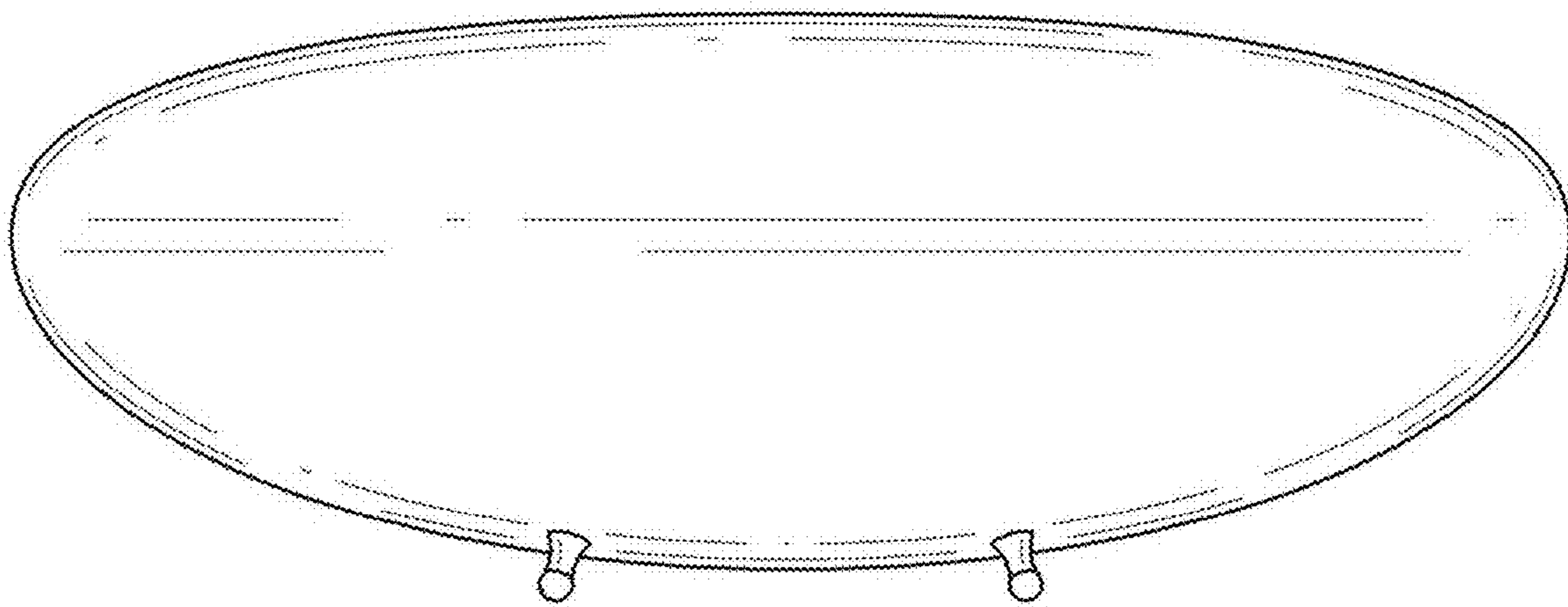
1.2



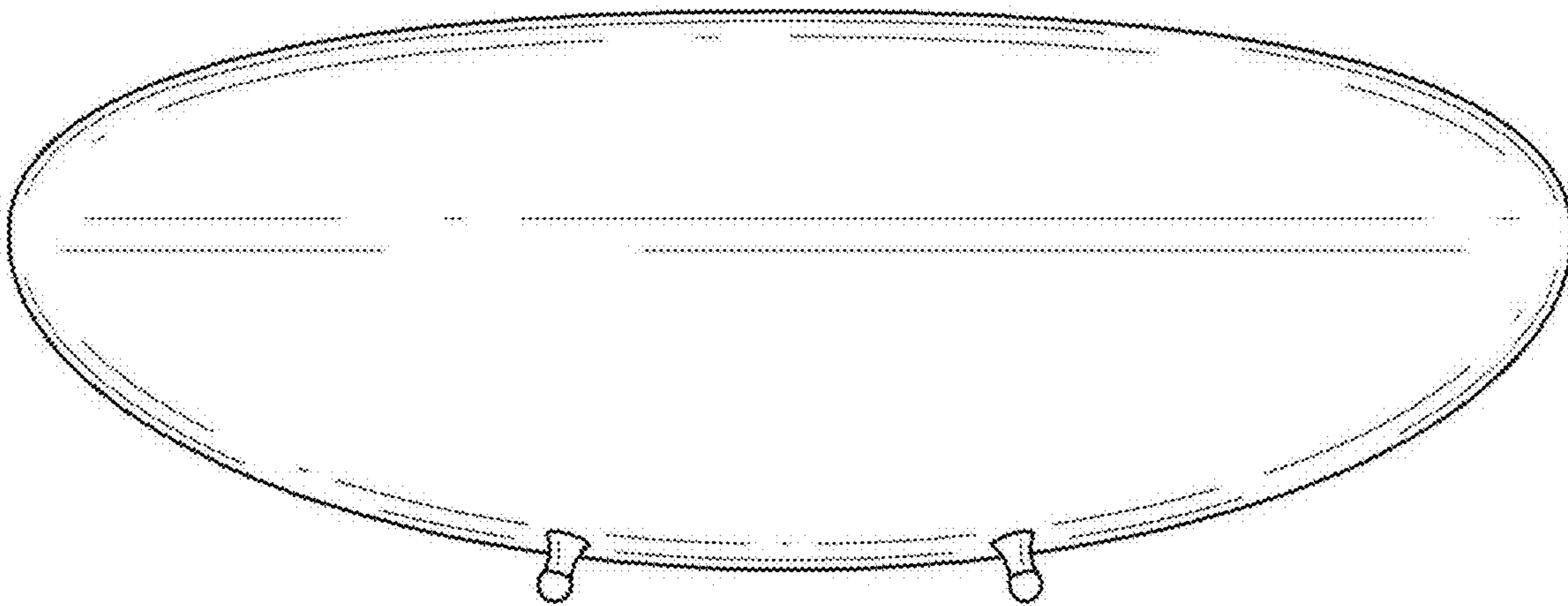
1.3



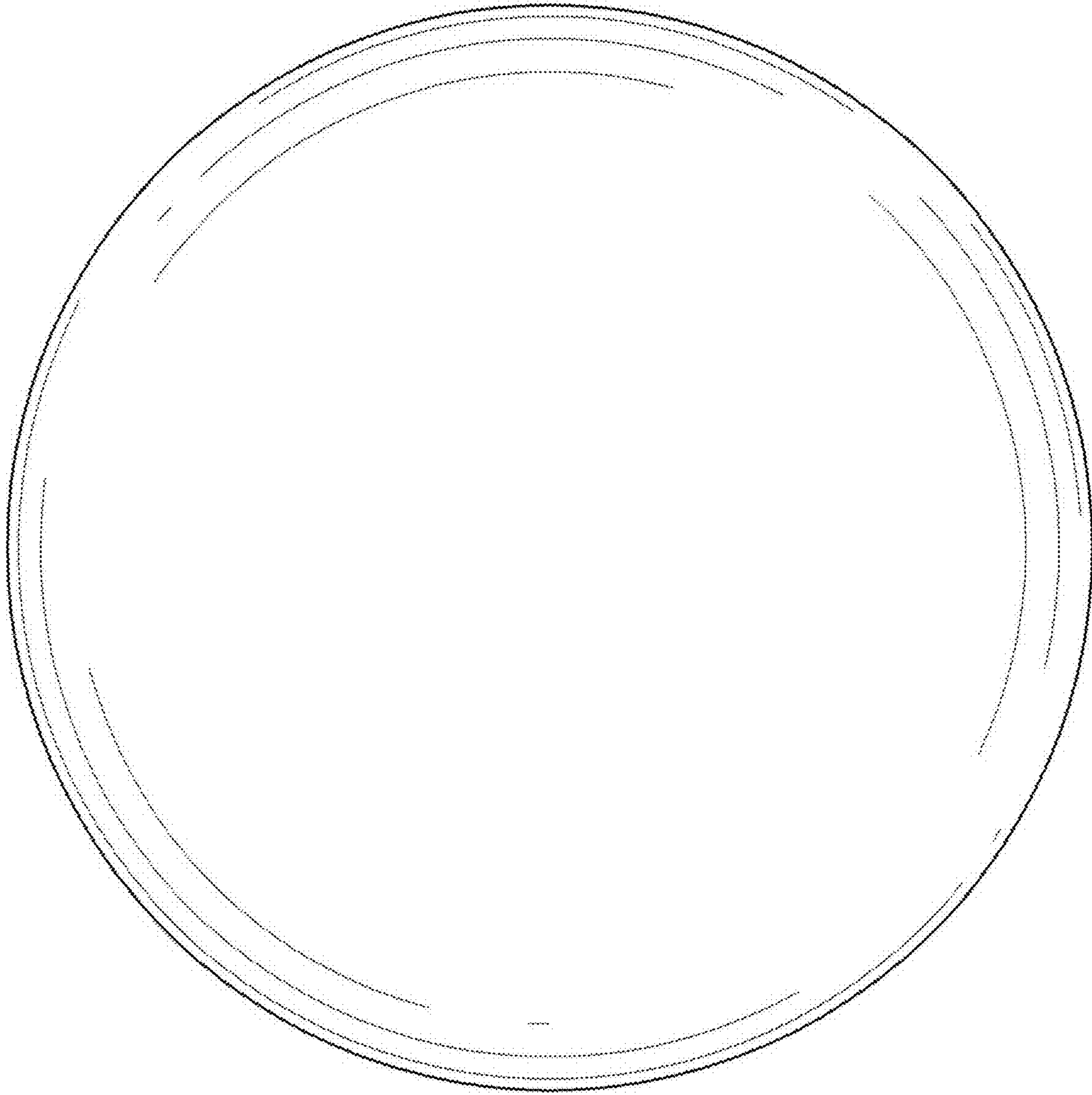
1.4



1.5



1.6



1.7

