



US00D820798S

(12) **United States Design Patent**
Yurusov

(10) **Patent No.:** **US D820,798 S**

(45) **Date of Patent:** **** Jun. 19, 2018**

(54) **MEDICAL VIDEO RECORDER**

(71) Applicant: **MediCapture, Inc.**, Plymouth Meeting, PA (US)

(72) Inventor: **Alexander Yurusov**, New Taipei (TW)

(73) Assignee: **MediCapture, Inc.**, Plymouth Meeting, PA (US)

(**) Term: **15 Years**

(21) Appl. No.: **29/580,716**

(22) Filed: **Oct. 12, 2016**

(51) **LOC (11) Cl.** **14-03**

(52) **U.S. Cl.**
USPC **D14/125; D14/496**

(58) **Field of Classification Search**
USPC D14/125-135, 157, 168, 188, 197-198, D14/257-258, 348, 356, 363, 365, D14/367-368, 498-511; 360/99.02, 360/99.07; 369/75.11, 75.21, 77.11, 369/77.21; 455/344, 347-351
CPC G11B 33/02; G11B 25/04; G11B 17/00; G11B 17/035; G11B 17/049; G11B 19/10
See application file for complete search history.

(56) **References Cited**

U.S. PATENT DOCUMENTS

D300,359 S * 3/1989 Lee D10/46
D473,200 S * 4/2003 Isshiki D14/499

D487,732 S * 3/2004 Isshiki D14/506
D513,502 S * 1/2006 Isshiki D14/499
D524,271 S * 7/2006 Itai D14/506
D551,198 S * 9/2007 Kim D14/505
D557,808 S * 12/2007 Kondo D24/158
D684,595 S * 6/2013 Jang D14/511
D704,224 S * 5/2014 Kaku D14/505

* cited by examiner

Primary Examiner — Philip S Hyder

Assistant Examiner — Ramzi Almatrahi

(74) *Attorney, Agent, or Firm* — Kaplan Breyer Schwarz, LLP

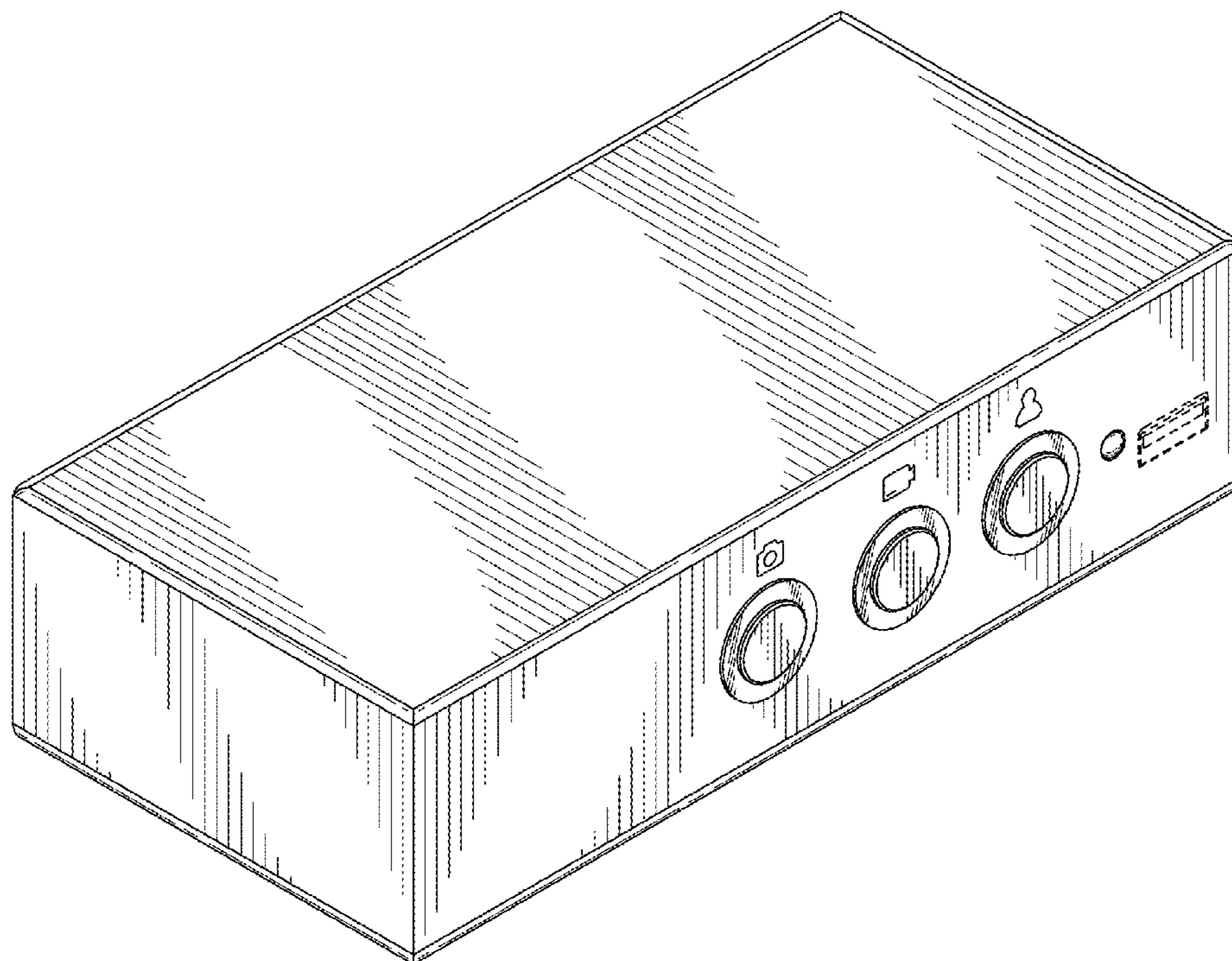
(57) **CLAIM**

The ornamental design for a medical video recorder, as shown and described.

DESCRIPTION

FIG. 1 is a perspective view of a medical video recorder; FIG. 2 is a front view of the medical video recorder; FIG. 3 is a rear view of the medical video recorder; FIG. 4 is a top view of the medical video recorder; FIG. 5 is a bottom view of the medical video recorder; FIG. 6 is a right side view of the medical video recorder; and, FIG. 7 is a left side view of the medical video recorder. The broken lines depict portions of a medical video recorder in which the design is embodied that form no part of the claimed design.

1 Claim, 5 Drawing Sheets



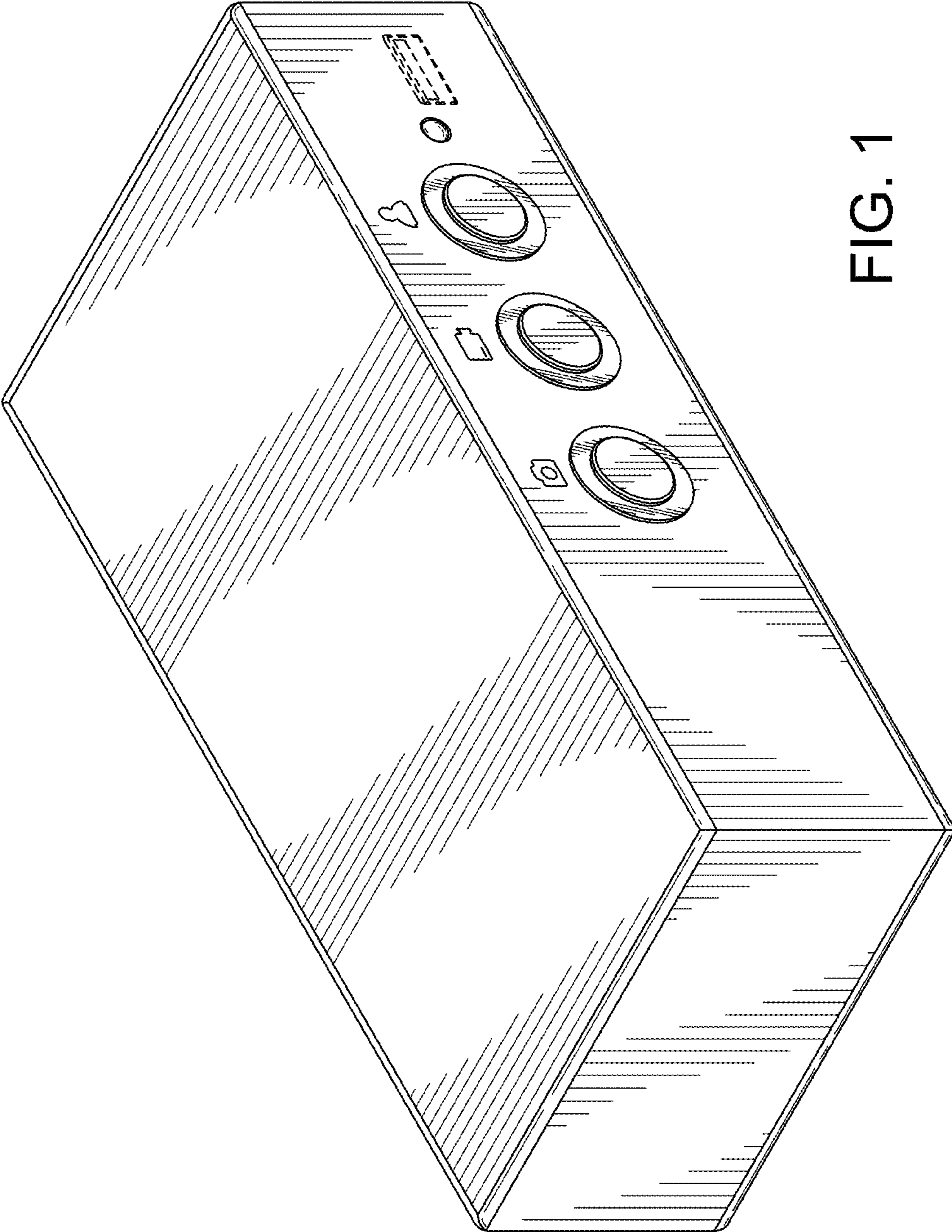


FIG. 1

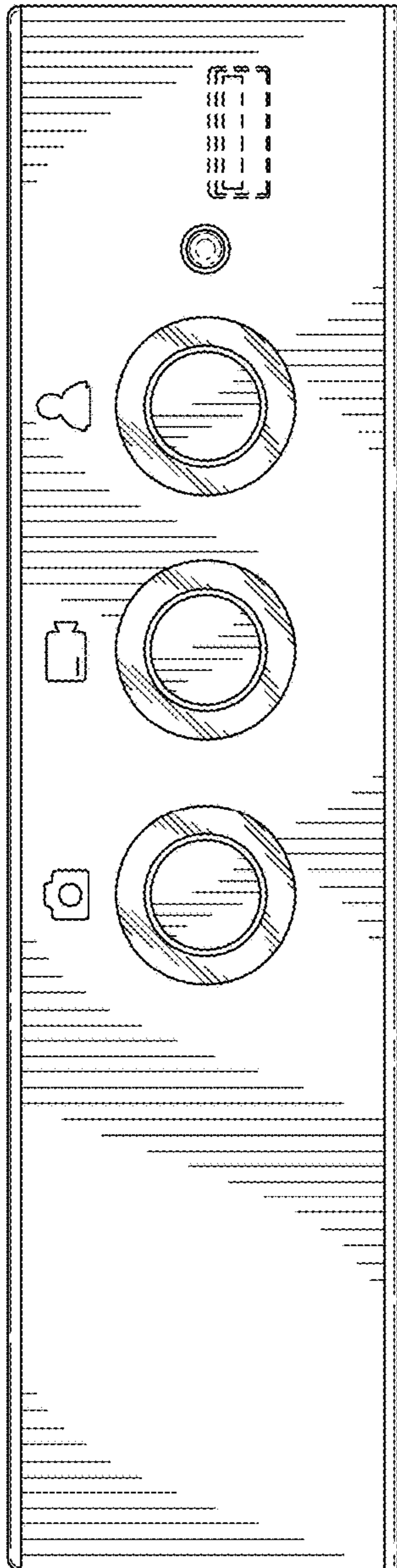


FIG. 2

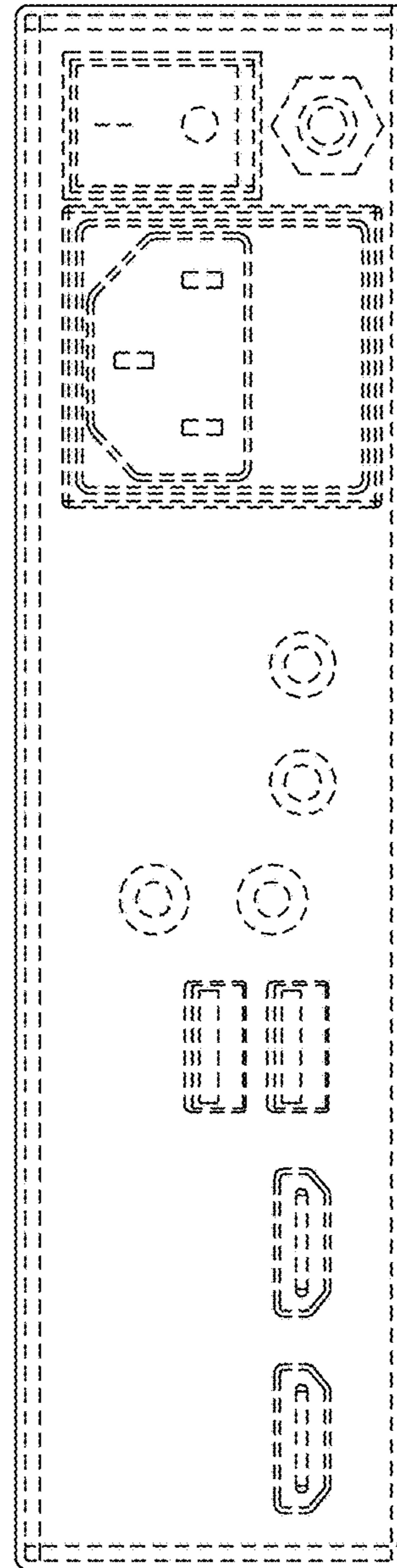


FIG. 3

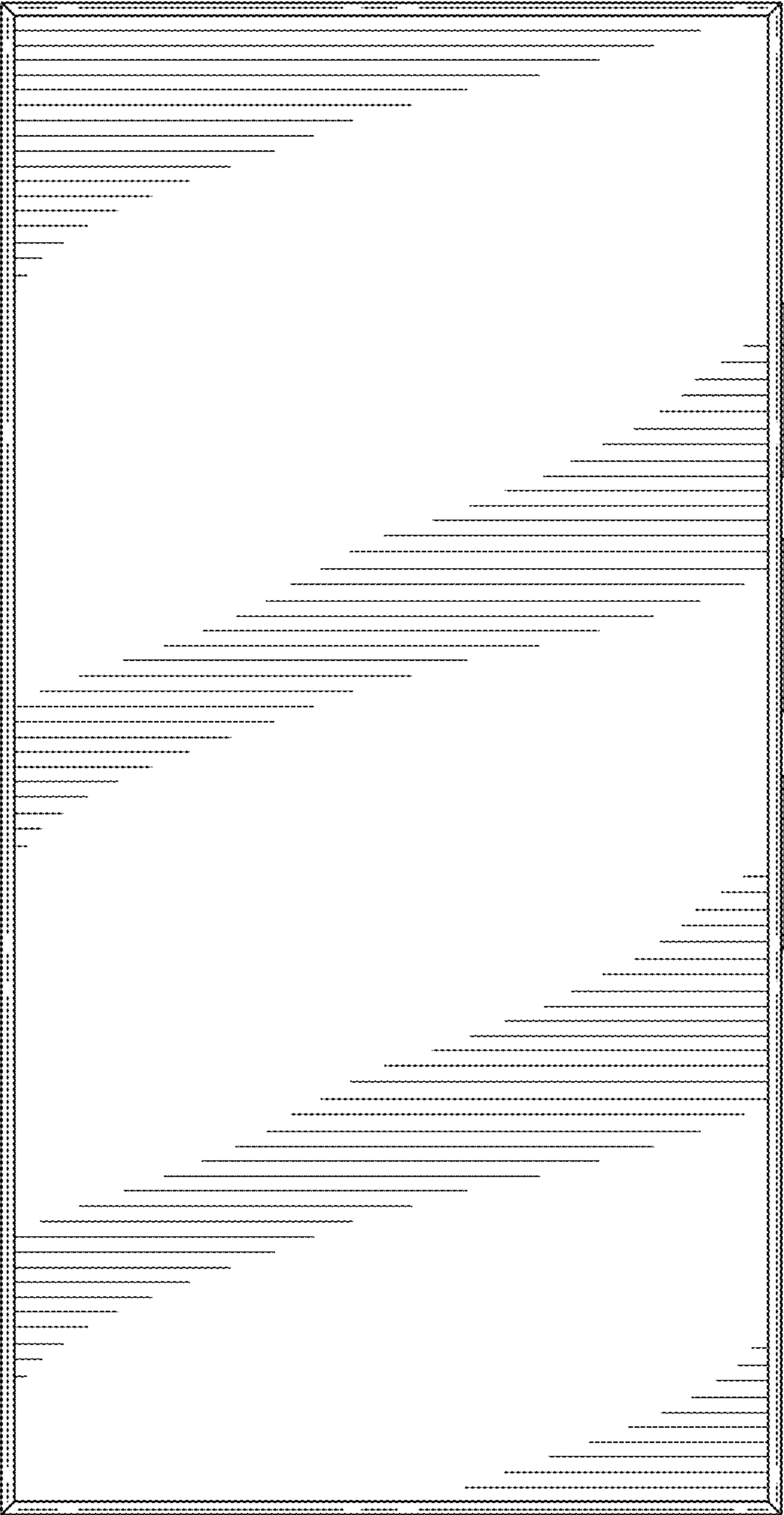


FIG. 4

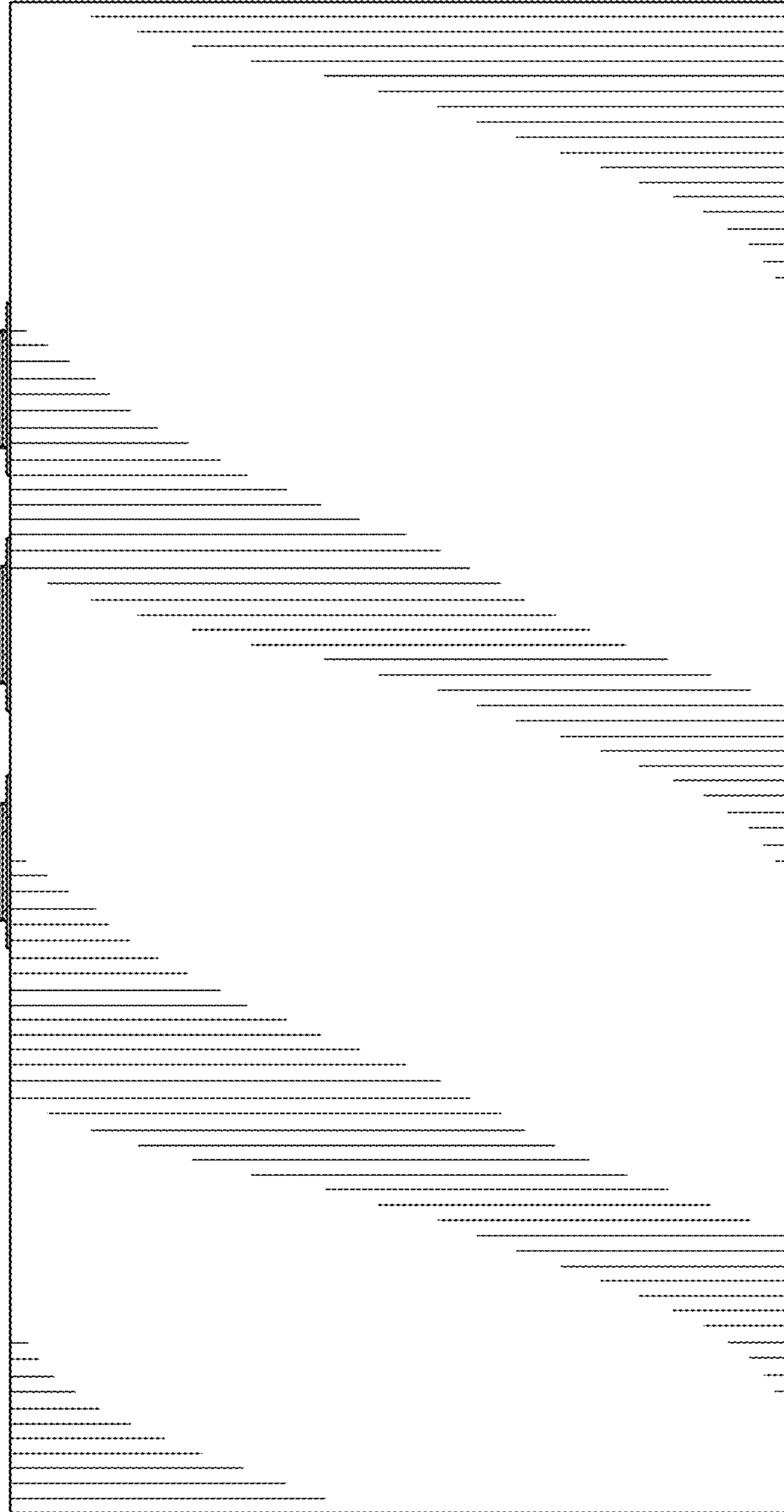


FIG. 5

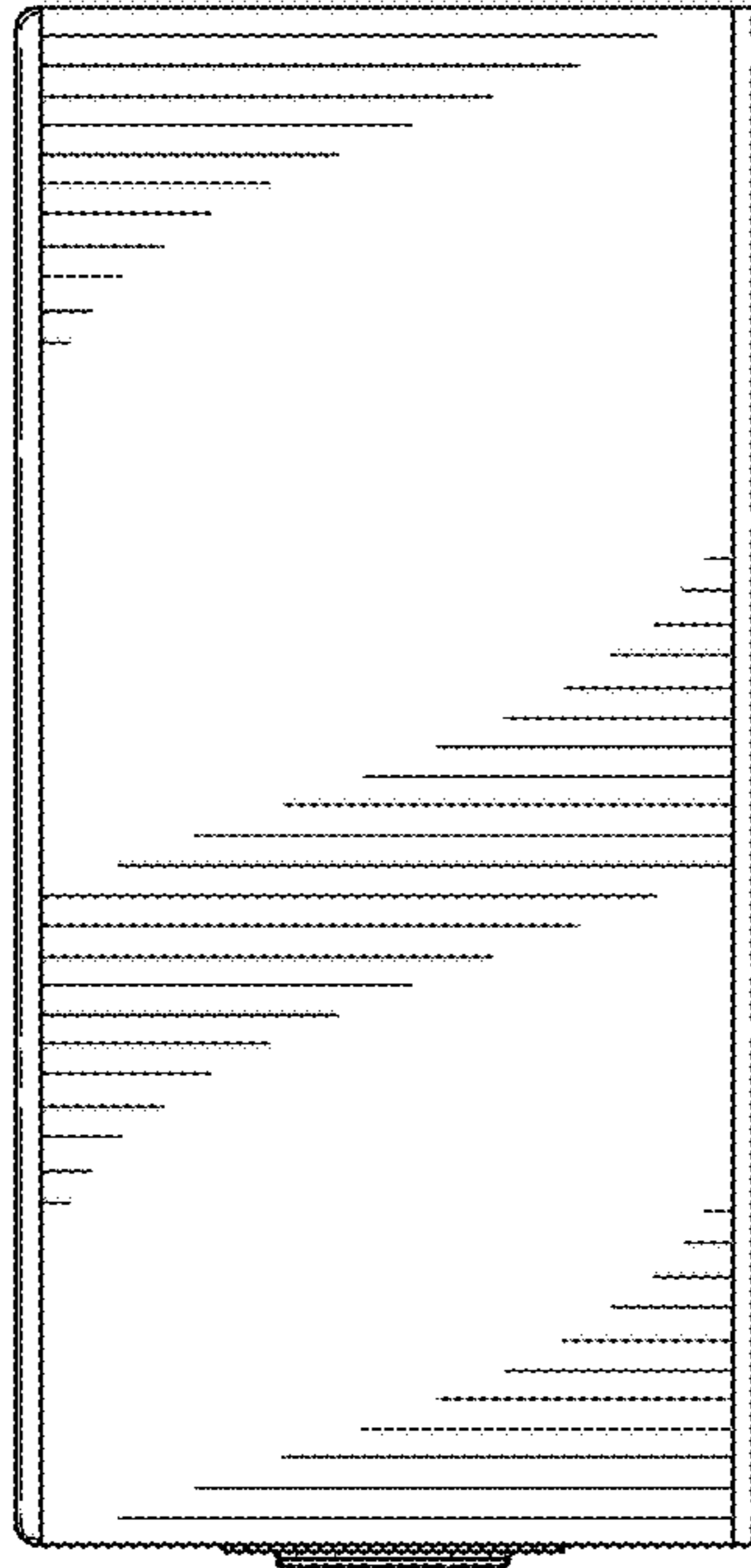


FIG. 7

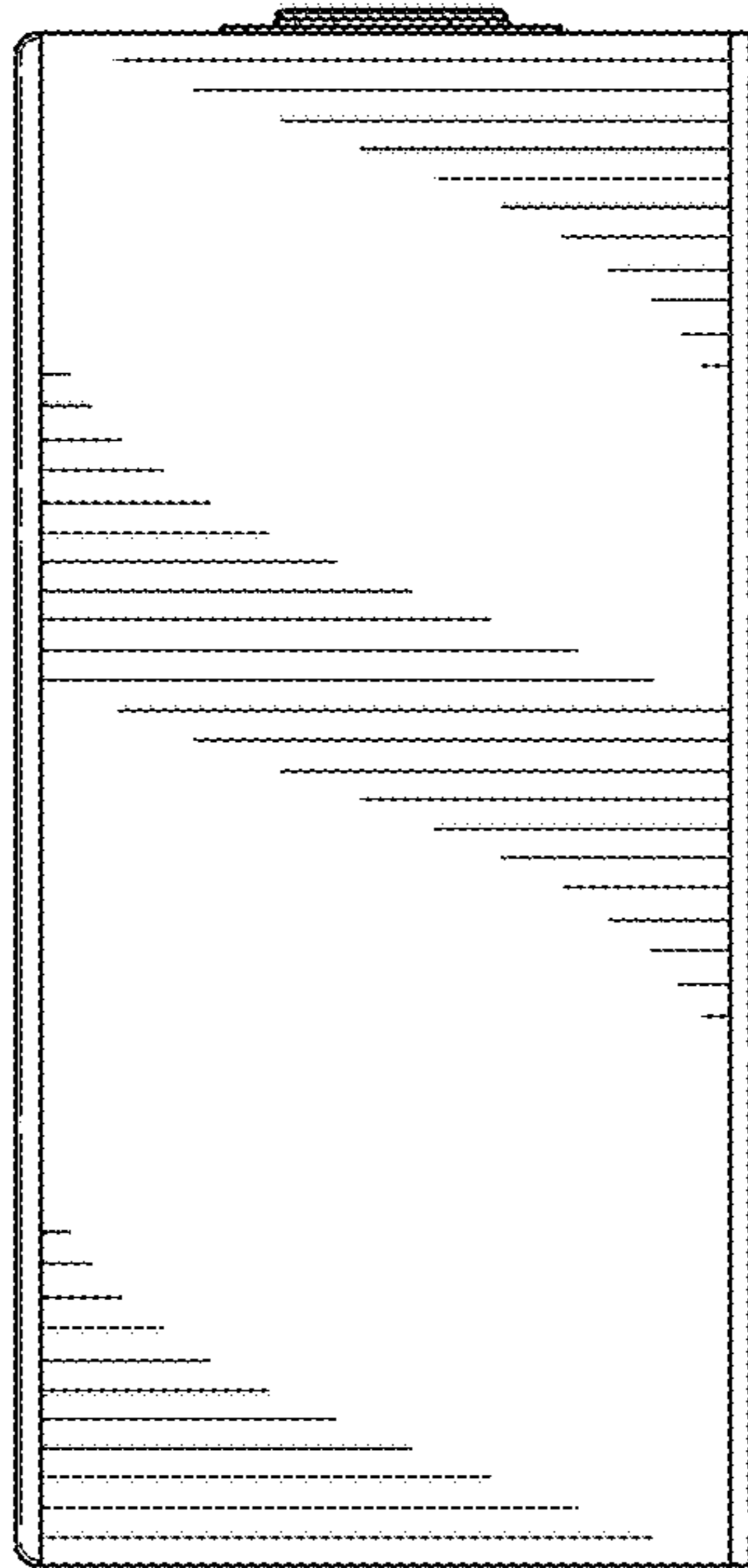


FIG. 6