



US00D820796S

(12) **United States Design Patent** (10) **Patent No.:** **US D820,796 S**
Gage et al. (45) **Date of Patent:** **** *Jun. 19, 2018**

- (54) **KEYPAD**
- (71) Applicant: **Lutron Electronics Co., Inc.**,
Coopersburg, PA (US)
- (72) Inventors: **Alexander Wade Gage**, Havertown, PA
(US); **Elliot G. Jacoby**, Glenside, PA
(US); **Jason C. Killo**, Emmaus, PA
(US); **Brad Michael Kreschollek**,
Bethlehem, PA (US); **Daniel Curtis**
Raneri, Bethlehem, PA (US)
- (73) Assignee: **Lutron Electronics Co., Inc.**,
Coopersburg, PA (US)

- D364,573 S 11/1995 Pearsall
- D436,930 S 1/2001 Butler et al.
- D453,742 S 2/2002 Butler et al.
- D465,460 S 11/2002 Mayo et al.
- D563,901 S 3/2008 Mayo et al.
- D566,048 S 4/2008 Mace et al.
- D566,658 S 4/2008 Mayo et al.
- D568,828 S 5/2008 Mayo et al.
- D570,299 S 6/2008 Jacoby et al.
- D572,202 S 7/2008 Jacoby et al.
- D572,208 S 7/2008 Mayo et al.
- D572,667 S 7/2008 Mayo et al.
- D573,956 S 7/2008 Hollner et al.
- 7,641,491 B2 1/2010 Altonen et al.

(Continued)

(*) Notice: This patent is subject to a terminal disclaimer.

(**) Term: **15 Years**

(21) Appl. No.: **29/590,775**

(22) Filed: **Jan. 13, 2017**

Related U.S. Application Data

(63) Continuation of application No. 29/536,802, filed on Aug. 19, 2015, now Pat. No. Des. 780,133.

(51) **LOC (11) Cl.** **13-03**

(52) **U.S. Cl.**
USPC **D13/174**

(58) **Field of Classification Search**
USPC D13/162, 164, 171, 174
CPC G08C 17/02; H05B 33/0845; H05B 37/02;
H05B 37/0272; H05B 39/02; H05B
39/04; H05B 39/041; H05B 39/08; H05B
39/085

See application file for complete search history.

(56) **References Cited**

U.S. PATENT DOCUMENTS

- D309,268 S 7/1990 Wada et al.
- D310,340 S 9/1990 Wada et al.

OTHER PUBLICATIONS

Lightolier, Specification Sheet for iGen DALI 4—Button Scene Controller Model No. DA-W5455-7, 2007, 2 pages.

(Continued)

Primary Examiner — Selina Sikder

(74) *Attorney, Agent, or Firm* — Saidman DesignLaw Group, LLC

(57) **CLAIM**

The ornamental design for a keypad, as shown and described.

DESCRIPTION

FIG. 1 is a front perspective view of a keypad showing our new design;

FIG. 2 is a front view thereof;

FIG. 3 is a left side view thereof;

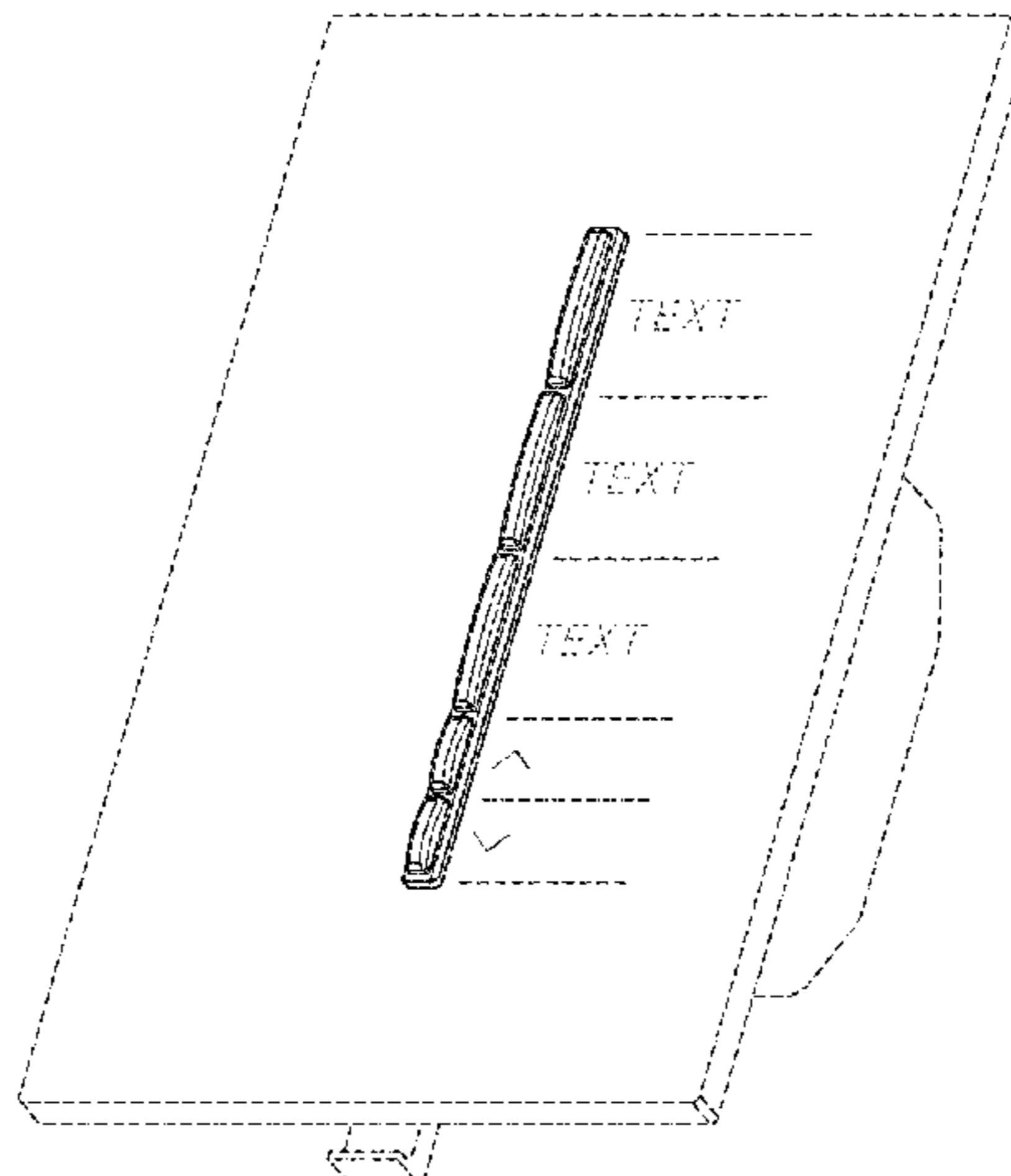
FIG. 4 is a right side view thereof;

FIG. 5 is a top view thereof; and,

FIG. 6 is a bottom view thereof.

The dashed broken lines represent structure or features which form no part of the claimed design; the broken lines themselves form no part of the claimed design.

1 Claim, 4 Drawing Sheets



(56)

References Cited

U.S. PATENT DOCUMENTS

D624,881 S 10/2010 Altonen et al.
 D624,882 S 10/2010 Altonen et al.
 7,872,429 B2 1/2011 Steiner et al.
 D678,850 S 3/2013 Wisniewski et al.
 D705,179 S 5/2014 Wisniewski et al.
 9,167,666 B1 10/2015 Billheimer et al.
 9,389,769 B1 7/2016 O’Keeffe
 D770,393 S 11/2016 Jacoby et al.
 D775,975 S 1/2017 Jacoby et al.
 D779,445 S * 2/2017 Gage D13/174
 D780,133 S * 2/2017 Gage D13/174
 D780,702 S * 3/2017 Gage D13/174
 D784,272 S * 4/2017 Gage D13/171
 D784,273 S * 4/2017 Gage D13/171
 D784,274 S * 4/2017 Gage D13/171
 D784,275 S * 4/2017 Gage D13/171
 D792,859 S * 7/2017 Gage D13/171
 D793,348 S * 8/2017 Gage D13/171
 D793,349 S * 8/2017 Gage D13/171
 2007/0216318 A1 9/2007 Altonen et al.
 2007/0272532 A1 11/2007 Pessina et al.
 2007/0291010 A1 12/2007 Altonen et al.

2008/0258644 A1 10/2008 Altonen et al.
 2009/0184652 A1 7/2009 Bollinger, Jr. et al.
 2016/0035217 A1* 2/2016 Camden G08C 17/02
 340/12.5

OTHER PUBLICATIONS

INNCOM, GS-700 Family Glass Series Switches Sell Sheet, Nov. 2008, 2 pages.
 U.S. Appl. No. 29/502,399, filed Sep. 16, 2014. (Unpublished).
 U.S. Appl. No. 29/447,481, filed Mar. 4, 2013. (Unpublished).
 U.S. Appl. No. 29/447,485, filed Mar. 4, 2013. (Unpublished).
 U.S. Appl. No. 29/536,775, filed Aug. 19, 2015. (Unpublished).
 U.S. Appl. No. 29/536,770, filed Aug. 19, 2015. (Unpublished).
 U.S. Appl. No. 29/536,771, filed Aug. 19, 2015. (Unpublished).
 U.S. Appl. No. 29/536,772, filed Aug. 19, 2015. (Unpublished).
 U.S. Appl. No. 29/536,767, filed Aug. 19, 2015. (Unpublished).
 U.S. Appl. No. 29/536,765, filed Aug. 19, 2015. (Unpublished).
 U.S. Appl. No. 29/536,768, filed Aug. 19, 2015. (Unpublished).
 U.S. Appl. No. 29/536,792, filed Aug. 19, 2015. (Unpublished).
 U.S. Appl. No. 29/536,805, filed Aug. 19, 2015. (Unpublished).
 U.S. Appl. No. 29/536,796, filed Aug. 19, 2015. (Unpublished).
 U.S. Appl. No. 29/536,810, filed Aug. 19, 2015. (Unpublished).
 U.S. Appl. No. 29/536,808, filed Aug. 19, 2015. (Unpublished).
 U.S. Appl. No. 29/536,807, filed Aug. 19, 2015. (Unpublished).

* cited by examiner

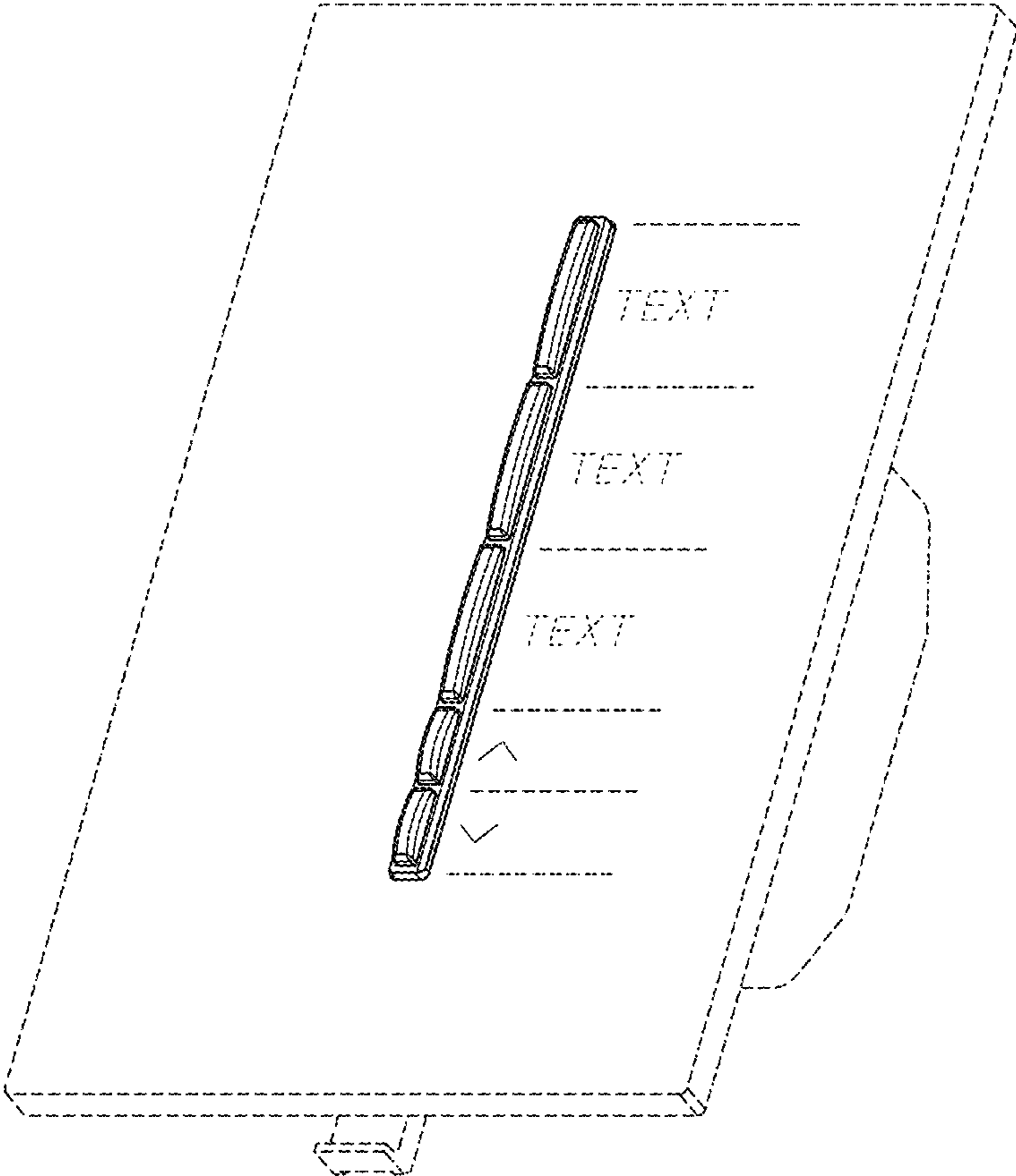


FIG. 1

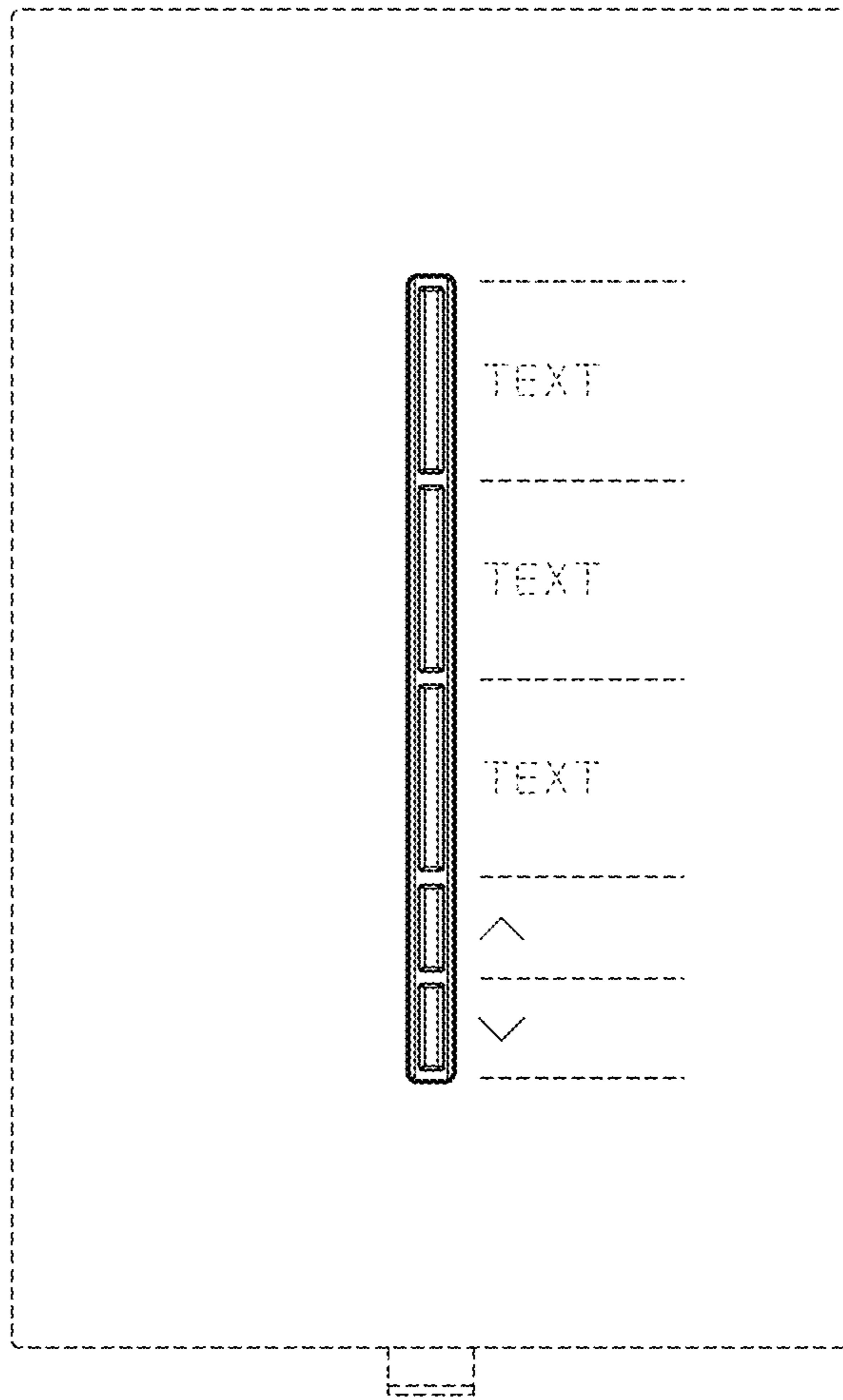


FIG. 2

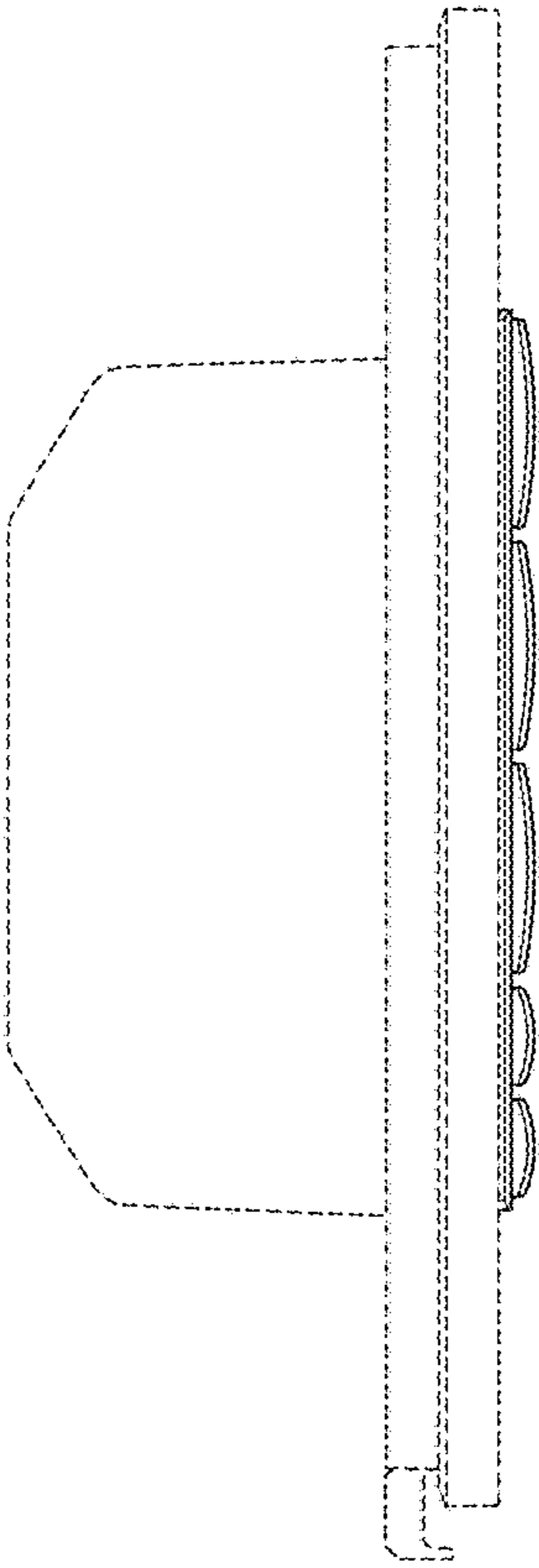


FIG. 3

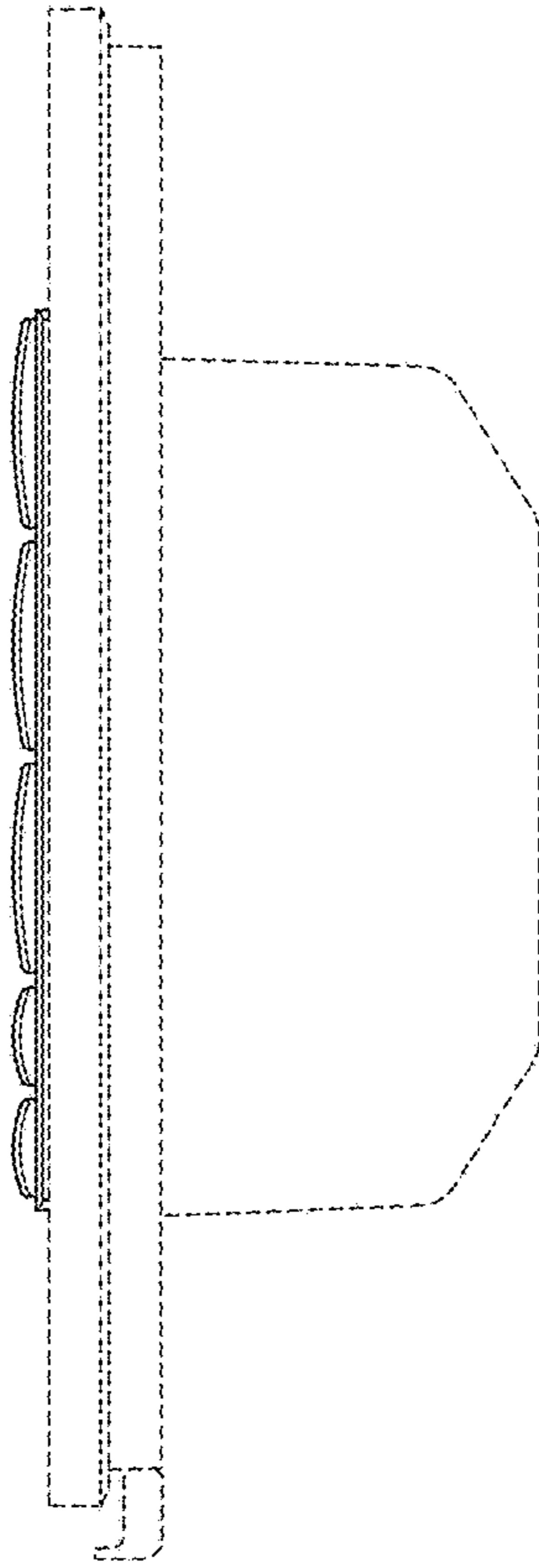


FIG. 4

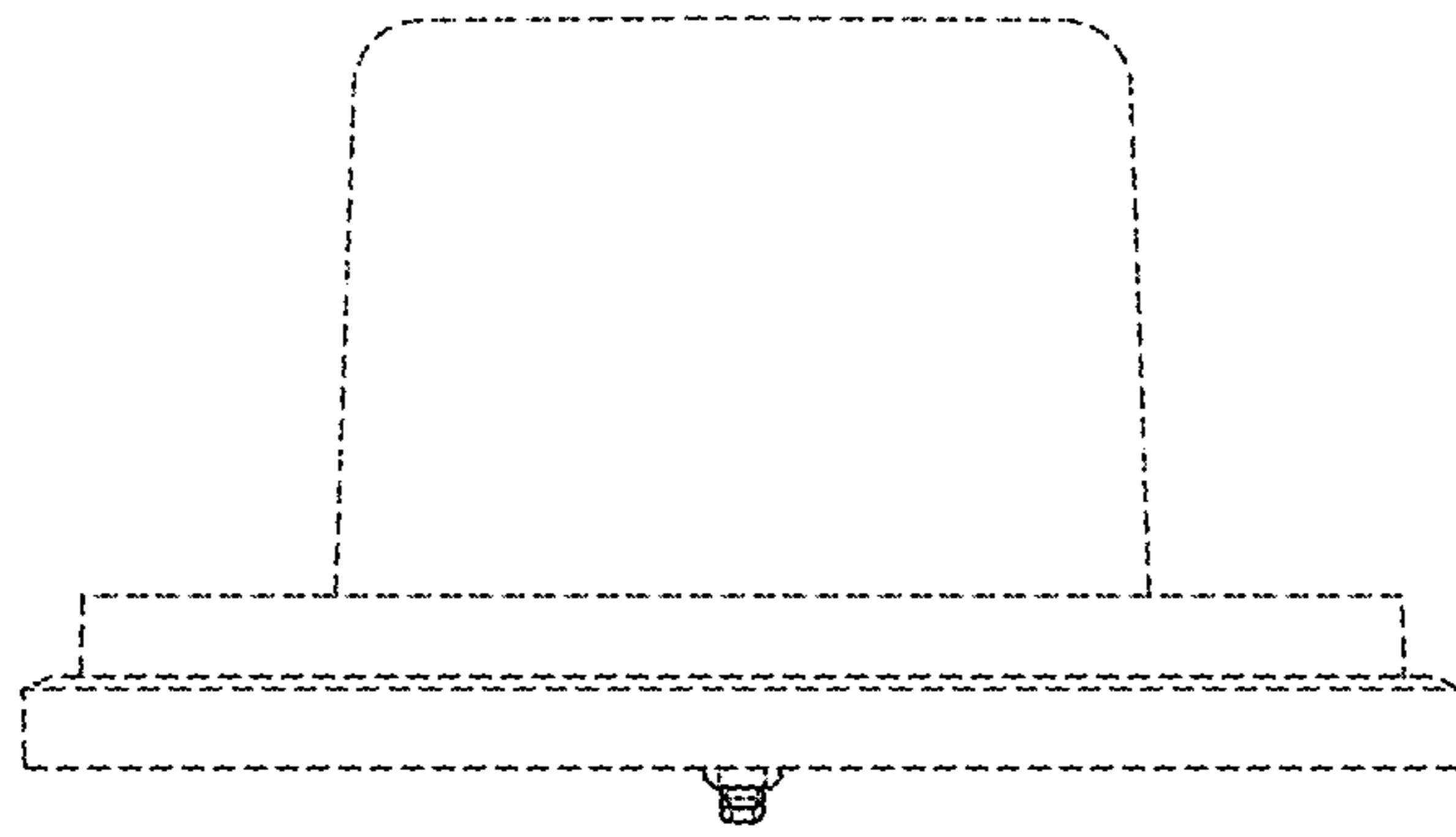


FIG. 5

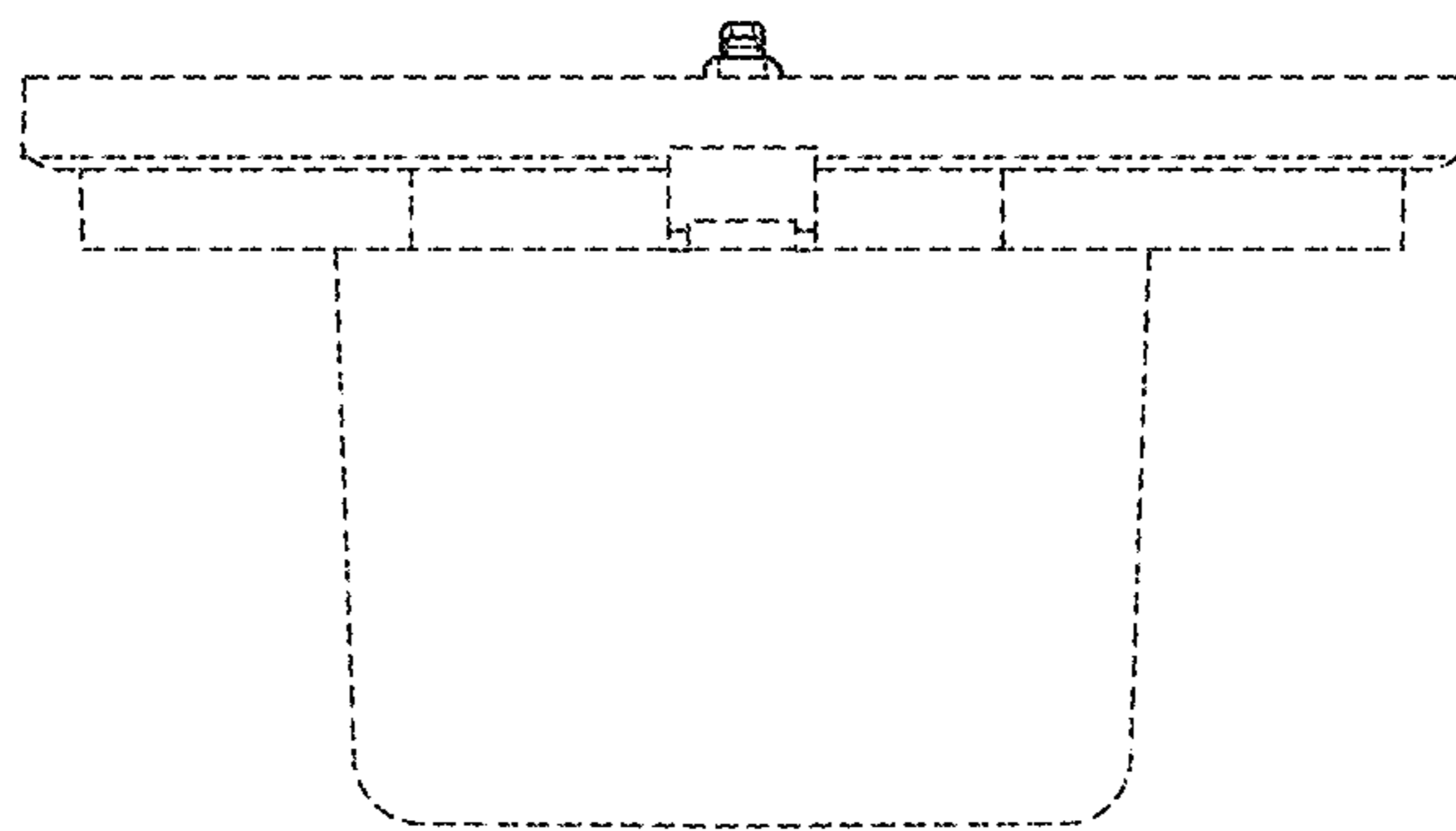


FIG. 6