



US00D820792S

(12) **United States Design Patent**
Robertson et al.

(10) **Patent No.:** **US D820,792 S**
(45) **Date of Patent:** **** Jun. 19, 2018**

(54) **KILL SWITCH CLIP FOR A MARINE ENGINE**

(71) Applicant: **Brunswick Corporation**, Lake Forest, IL (US)

(72) Inventors: **William R. Robertson**, Appleton, WI (US); **Todd D. Dannenberg**, Fond du Lac, WI (US); **Travis J. Vaninetti**, Neenah, WI (US); **Jeffrey A. Zarembka**, Plymouth, WI (US)

(73) Assignee: **Brunswick Corporation**, Mettawa, IL (US)

(**) Term: **15 Years**

(21) Appl. No.: **29/576,394**

(22) Filed: **Sep. 2, 2016**

(51) **LOC (11) Cl.** **13-03**

(52) **U.S. Cl.**
USPC **D13/158**

(58) **Field of Classification Search**
USPC D13/101, 110, 118–121, 123, 133, 148, D13/149, 154, 158–161, 169, 173, 178, D13/182, 184, 199; D12/114; D14/432, D14/435.1, 480, 480.5, 483, 484.1; D15/4, 5, 199; D8/300, 307, 321; D7/393; D23/250

CPC A63B 22/00; A63B 22/02; A63B 22/04; A63B 22/06; B63C 9/00; B63H 20/00; B63H 20/12; B63H 21/14; B63H 21/17; B63H 21/21; B63H 21/36; B63H 23/24; B63J 3/04; H01H 3/02; H01H 3/0226; H01H 3/12; H01H 27/00; G08B 13/14; G08B 13/24; G08B 25/00; G08B 25/10

See application file for complete search history.

(56) **References Cited**

U.S. PATENT DOCUMENTS

5,108,320 A * 4/1992 Kimber H01R 11/12
439/801
D327,408 S * 6/1992 Fulton D8/300

D334,110 S * 3/1993 Schmidt D7/393
5,575,697 A * 11/1996 Kaedei H01R 11/12
439/868
D385,257 S * 10/1997 Pingel D13/158
D385,852 S * 11/1997 Pingel D13/158
D495,923 S * 9/2004 Zemel D7/393

(Continued)

OTHER PUBLICATIONS

Boat Kill Switch Keys: Its Past Time for a Standard, dated Oct. 30, 2013, [online], [site visited Apr. 10, 2018]. Available from Internet, < URL: <http://www.propellersafety.com/7671/propeller-guard-thoughts/boat-kill-switch-keys-standard/>> (Year: 2013).*

(Continued)

Primary Examiner — Thomas Johannes

Assistant Examiner — Shawn T Gingrich

(74) *Attorney, Agent, or Firm* — Andrus Intellectual Property Law, LLP

(57) **CLAIM**

The ornamental design for a kill switch clip for a marine engine, as shown and described.

DESCRIPTION

FIG. 1 is a perspective view of an embodiment of a kill switch clip for a marine engine.

FIG. 2 is a front view of the embodiment.

FIG. 3 is a rear view of the embodiment.

FIG. 4 is a right side view of the embodiment.

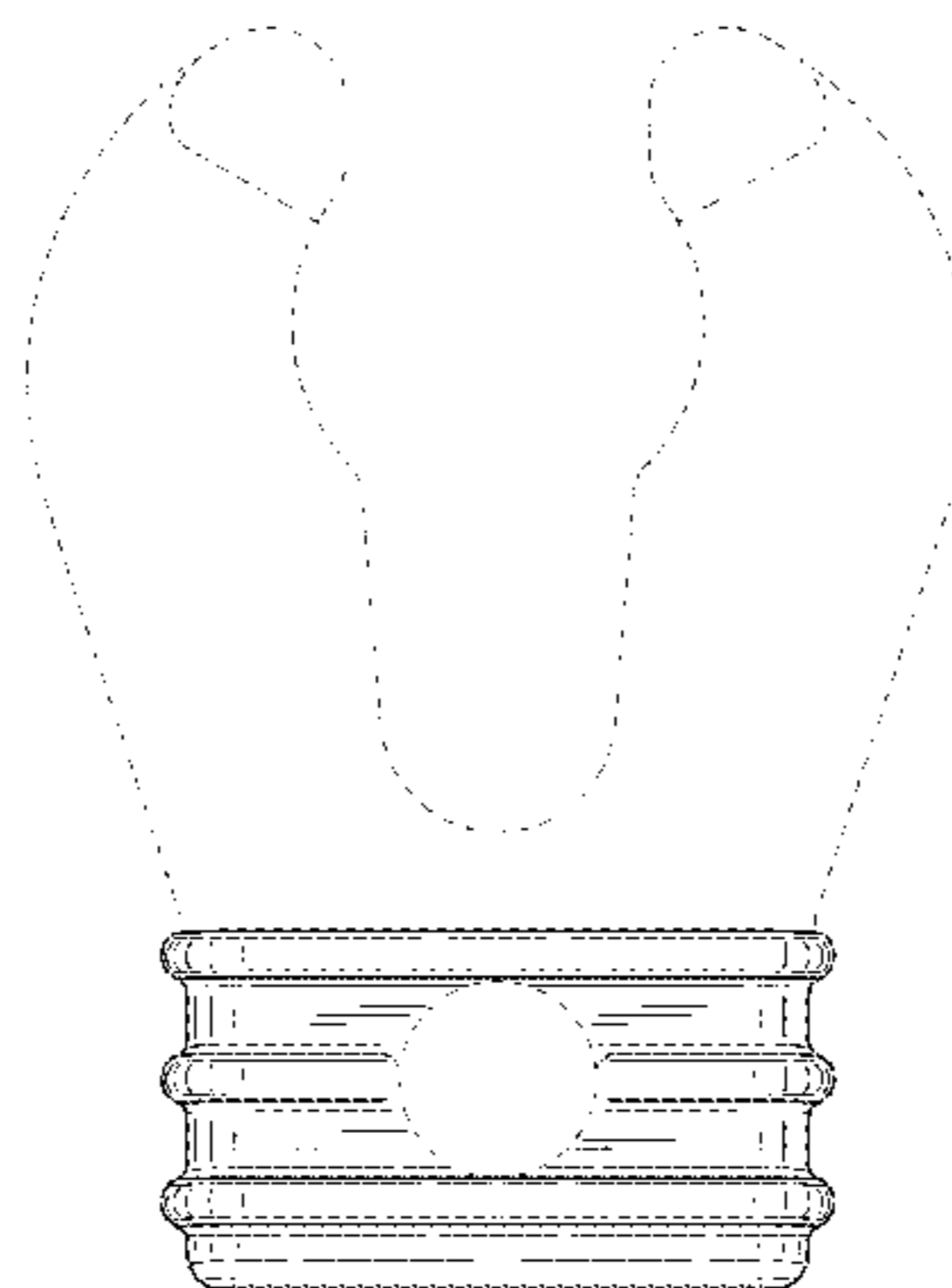
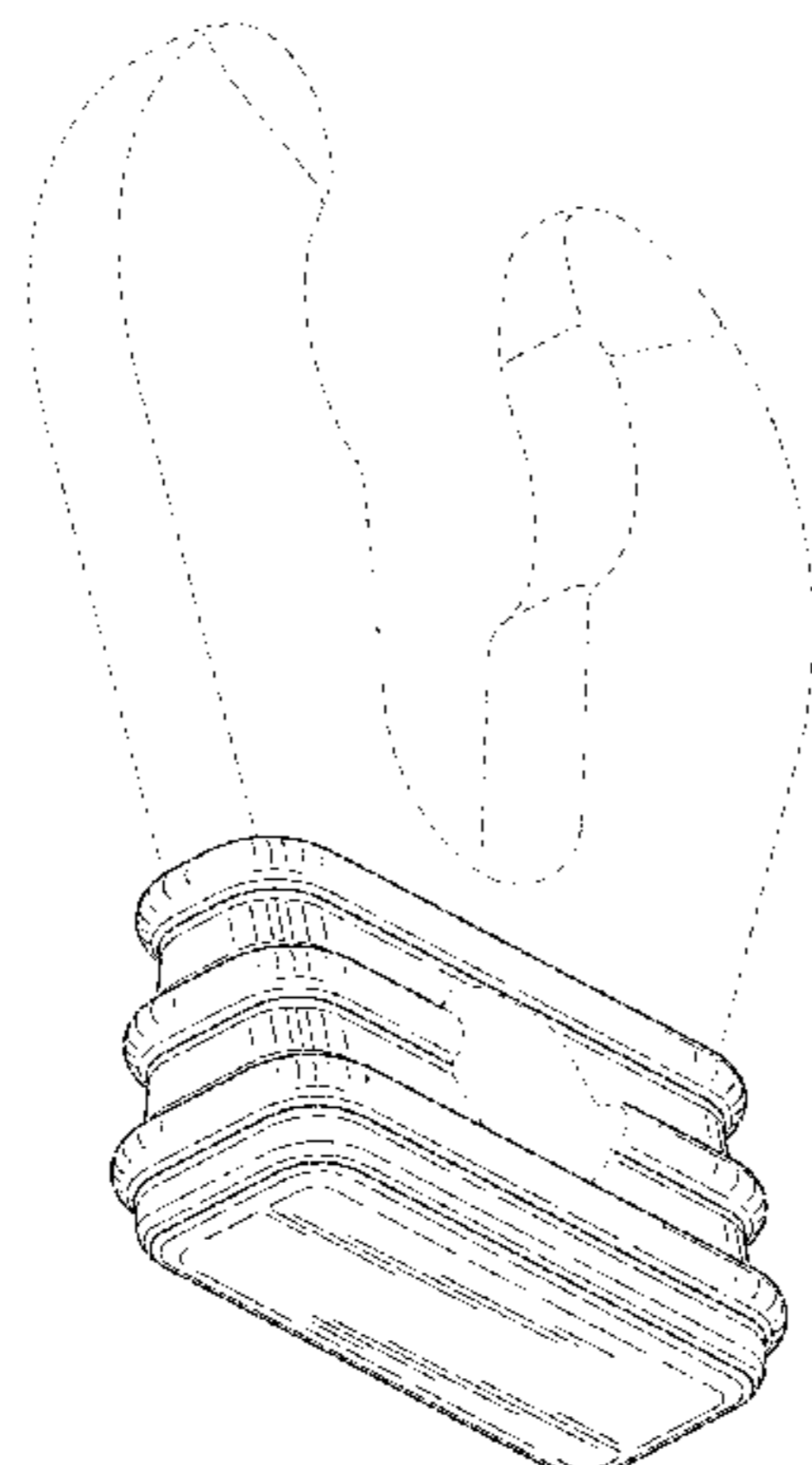
FIG. 5 is a left side view of the embodiment.

FIG. 6 is a top view of the embodiment; and,

FIG. 7 is a bottom view of the embodiment.

The broken lines in the drawings illustrate portions of the kill switch clip for a marine engine that form no part of the claimed design.

1 Claim, 3 Drawing Sheets



(56)

References Cited

U.S. PATENT DOCUMENTS

D680,404 S * 4/2013 Ramsland D8/300
D781,867 S * 3/2017 Aulert D14/480.1
D786,265 S * 5/2017 Chiu D14/480.5
D796,639 S * 9/2017 Sieger D23/250

OTHER PUBLICATIONS

ModMyPi.com WiFi Dongle—Nano USB, dated Mar. 10, 2014,[online], [site visited Apr. 10, 2018]. Available from Internet, <URL: <https://www.modmypi.com/connectivity-1138/wifi-dongle-nano-usb/>> (Year: 2014).*

Attwood Boat Kill Switch Keys and Lanyard, dated Apr. 21, 2012,[online], [site visited Apr. 10, 2018]. Available from Internet, <URL: <https://www.amazon.ca/Attwood-Boat-Kill-Switch-Lanyard/dp/B003EET2H6>> (Year: 2012).*

Boat US Foundation Engine Cut-Off Devices, dated Oct. 2012,[online], [site visited Apr. 10, 2018]. Available from Internet, <URL: <https://www.boatus.org/findings/42/>> (Year: 2012).*

* cited by examiner

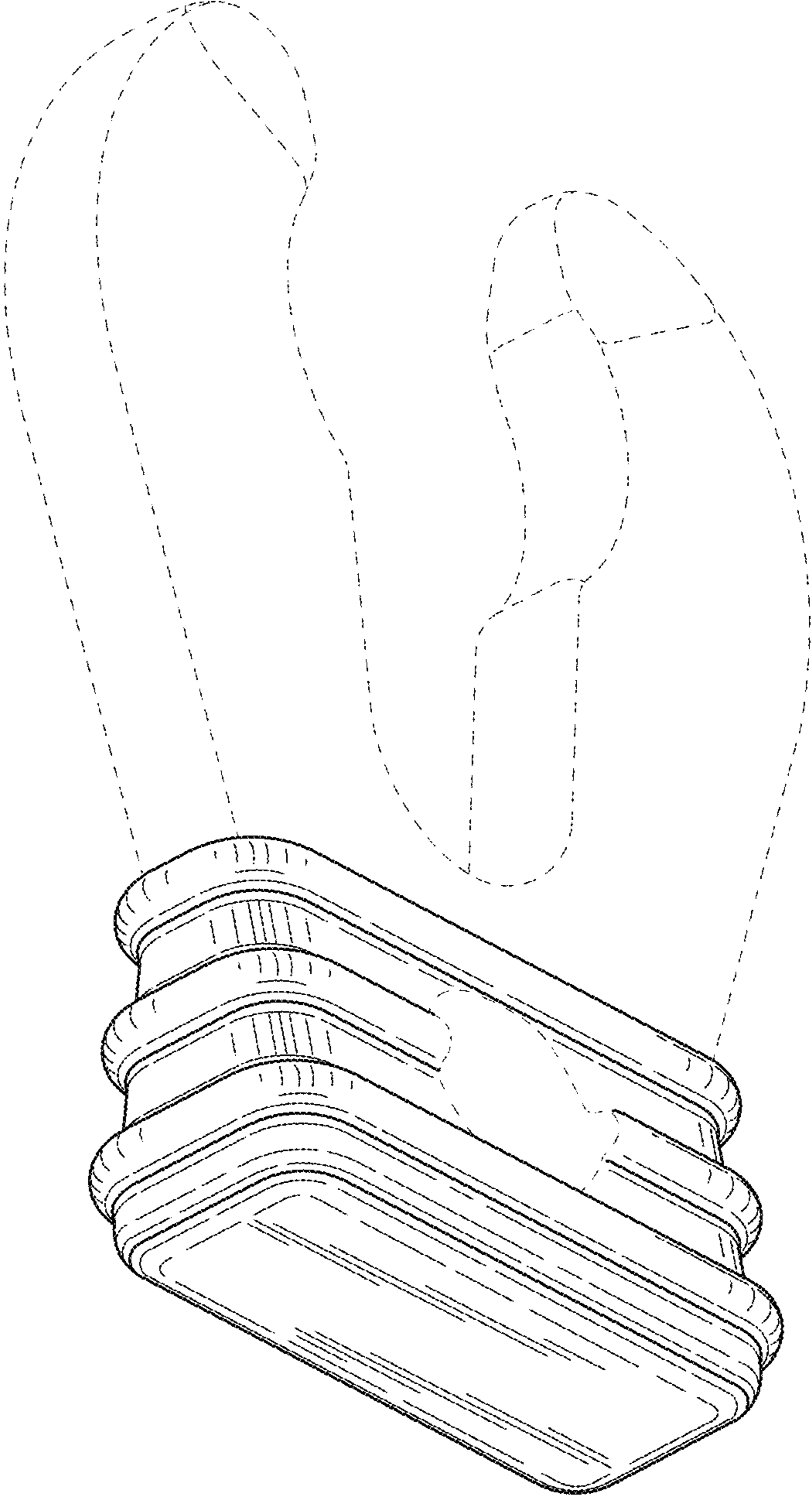


FIG. 1

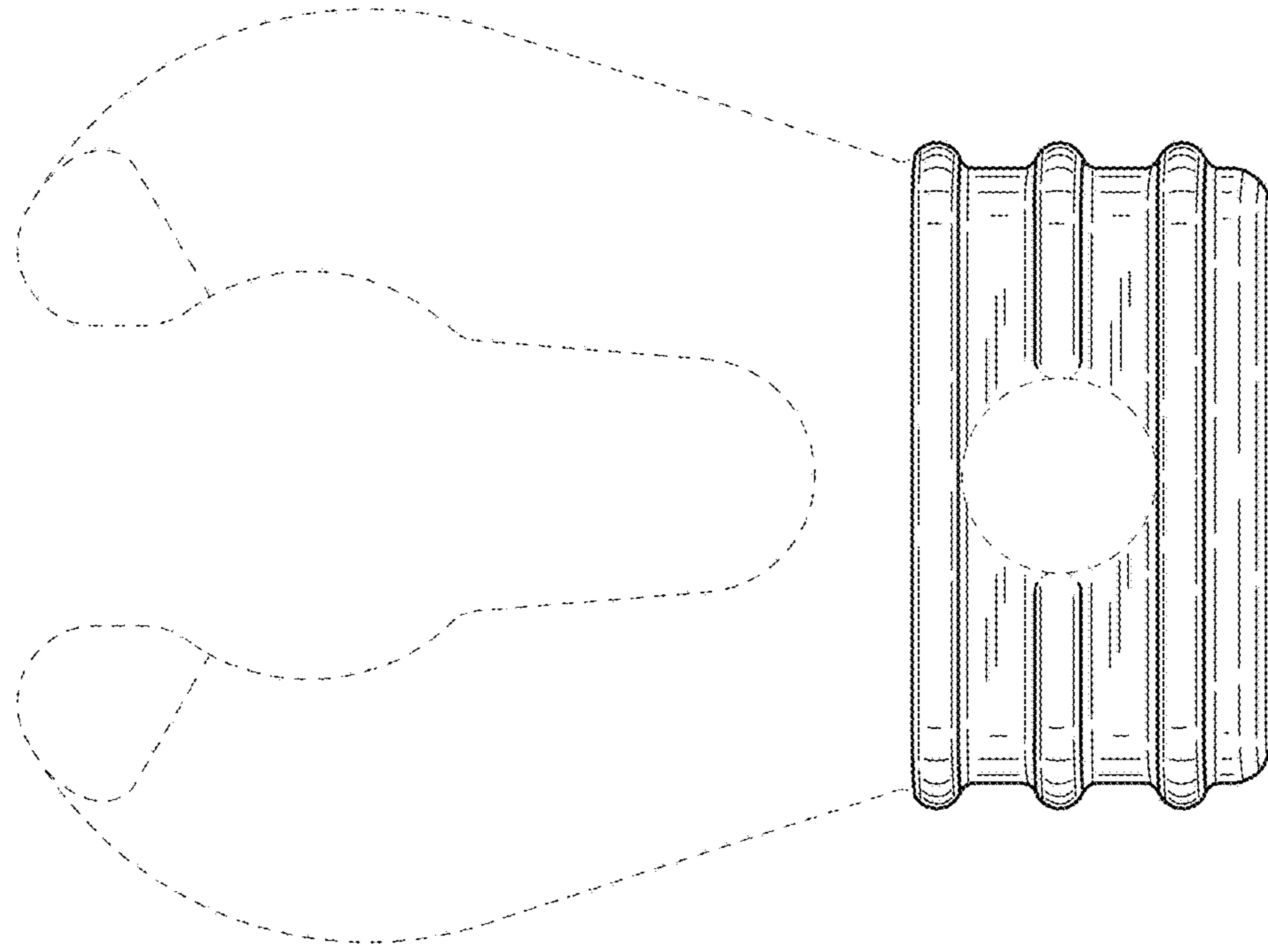


FIG. 2

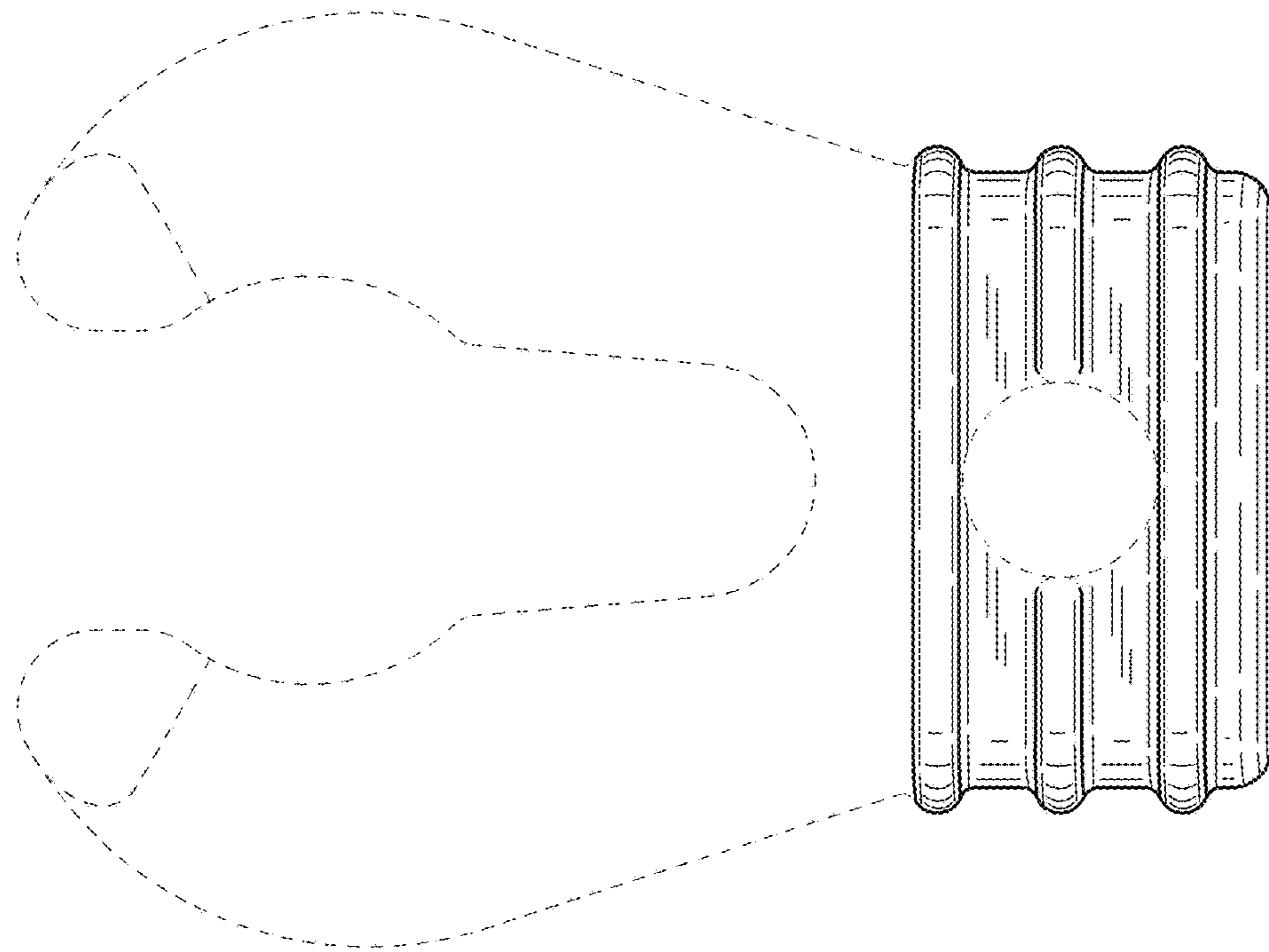


FIG. 3

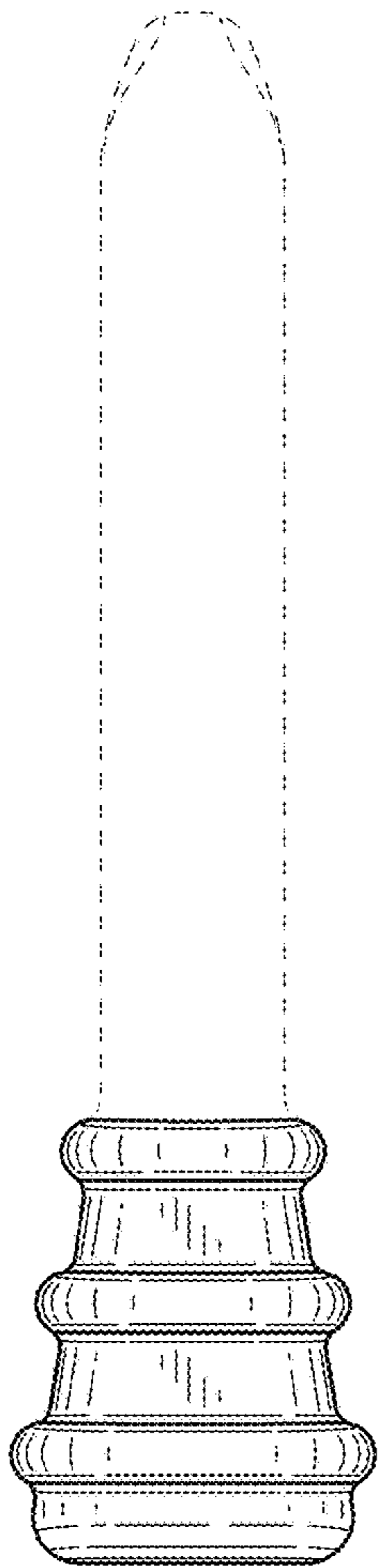


FIG. 4

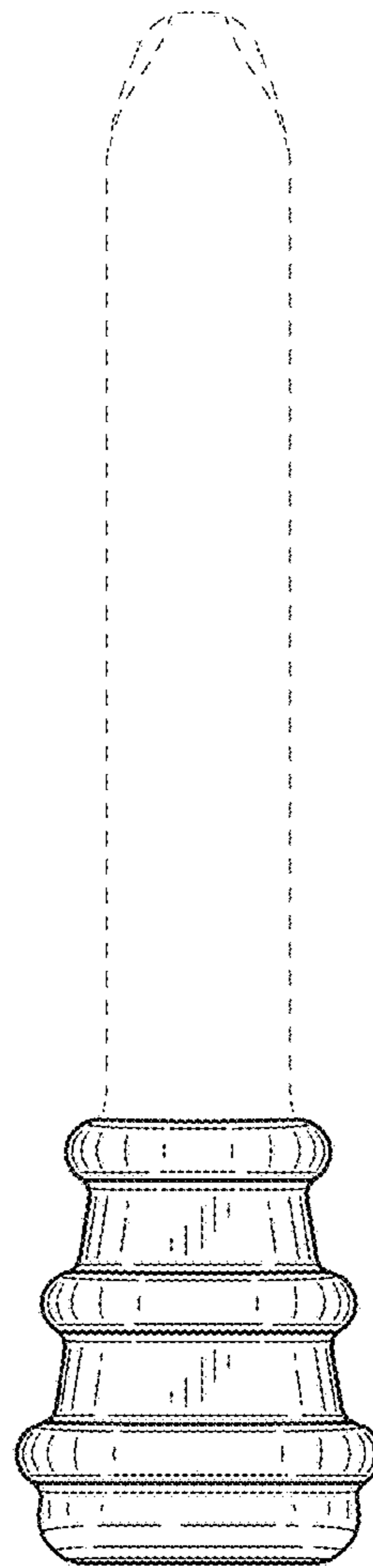


FIG. 5

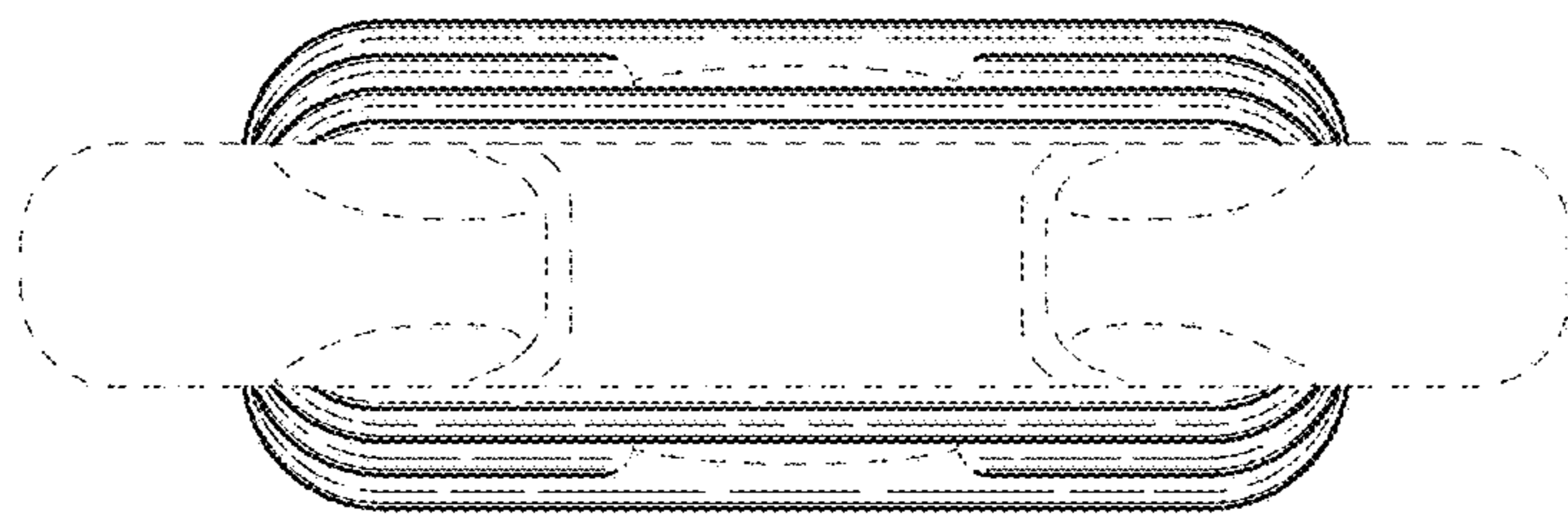


FIG. 6

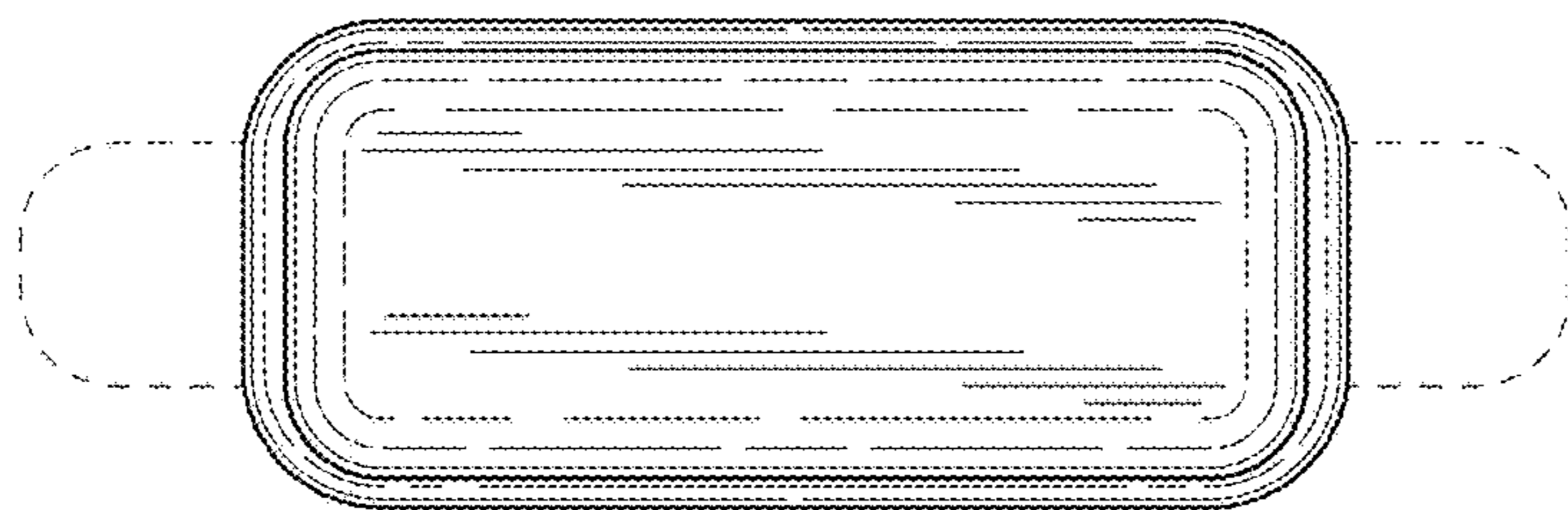


FIG. 7