



US00D820791S

(12) **United States Design Patent**
Takeda

(10) **Patent No.:** **US D820,791 S**

(45) **Date of Patent:** **** Jun. 19, 2018**

(54) **TERMINAL FITTING FOR ELECTRIC CONNECTOR**

(71) Applicant: **Yazaki Corporation**, Tokyo (JP)

(72) Inventor: **Hiroataka Takeda**, Shizuoka (JP)

(73) Assignee: **YAZAKI CORPORATION**,
Minato-ku, Tokyo (JP)

(**) Term: **15 Years**

(21) Appl. No.: **29/607,228**

(22) Filed: **Jun. 12, 2017**

(30) **Foreign Application Priority Data**

Mar. 9, 2017 (JP) 2017-004793

(51) **LOC (11) Cl.** **13-03**

(52) **U.S. Cl.**
USPC **D13/154**

(58) **Field of Classification Search**

USPC D13/118, 120, 123, 133, 146, 147, 148,
D13/149, 154, 184, 199

CPC ... H01R 4/16; H01R 4/18; H01R 4/20; H01R
43/02; H01R 43/048; H01R 9/24; H01R
9/048; H01R 13/05; H01R 13/11; H01R
13/245; H01R 13/2464; H01R 13/26;
H01R 13/432; H01R 13/506; H01R
13/52; H01R 13/533; H01R 13/627;
H01R 13/62

See application file for complete search history.

(56) **References Cited**

U.S. PATENT DOCUMENTS

D457,136 S * 5/2002 Hayashi D13/133

D553,080 S * 10/2007 Sakamaki D13/133
D556,136 S * 11/2007 Shiga D13/133
2015/0357723 A1* 12/2015 Tachibana C25D 7/00
439/878

2018/0024012 A1* 1/2018 Terajima G01K 7/023
2018/0048080 A1* 2/2018 Nakata H01R 4/62
2018/0069327 A1* 3/2018 Nakata H01R 4/18

* cited by examiner

Primary Examiner — Daniel Bui

(74) *Attorney, Agent, or Firm* — Sughrue Mion, PLLC

(57) **CLAIM**

The ornamental design for a terminal fitting for electric connector, as shown and described.

DESCRIPTION

FIG. 1 is a front, top and left side perspective view of a terminal fitting for electric connector showing my new design;

FIG. 2 is a rear, bottom and right side perspective view thereof;

FIG. 3 is a front elevational view thereof;

FIG. 4 is a rear elevational view thereof;

FIG. 5 is a right side elevational view thereof;

FIG. 6 is a left side elevational view thereof;

FIG. 7 is a top plan view thereof; and,

FIG. 8 is a bottom plan view thereof.

The broken lines depict portion of the terminal fitting for electric connector in which the design is embodied that form no part of the claimed design.

1 Claim, 7 Drawing Sheets

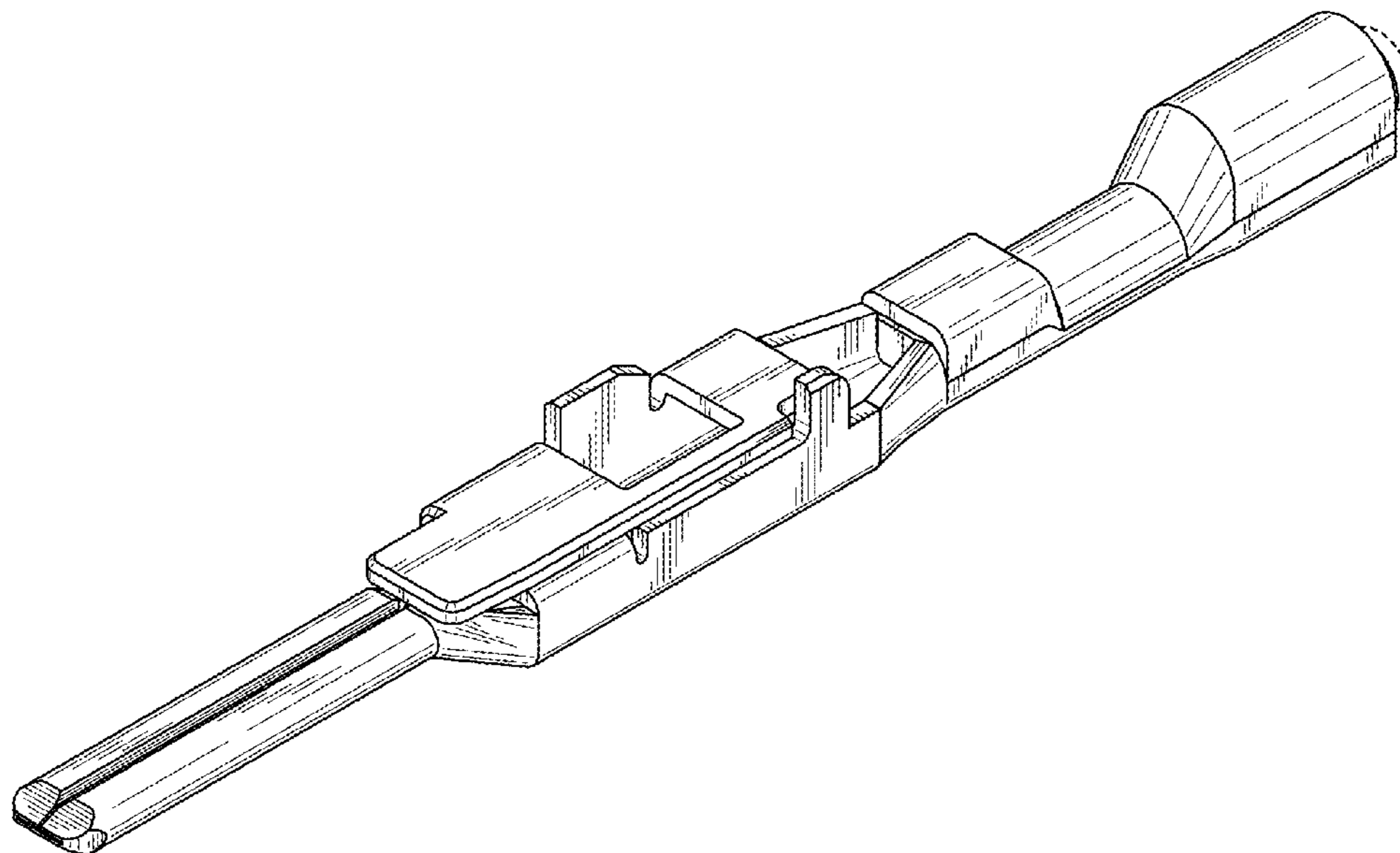


FIG. 1

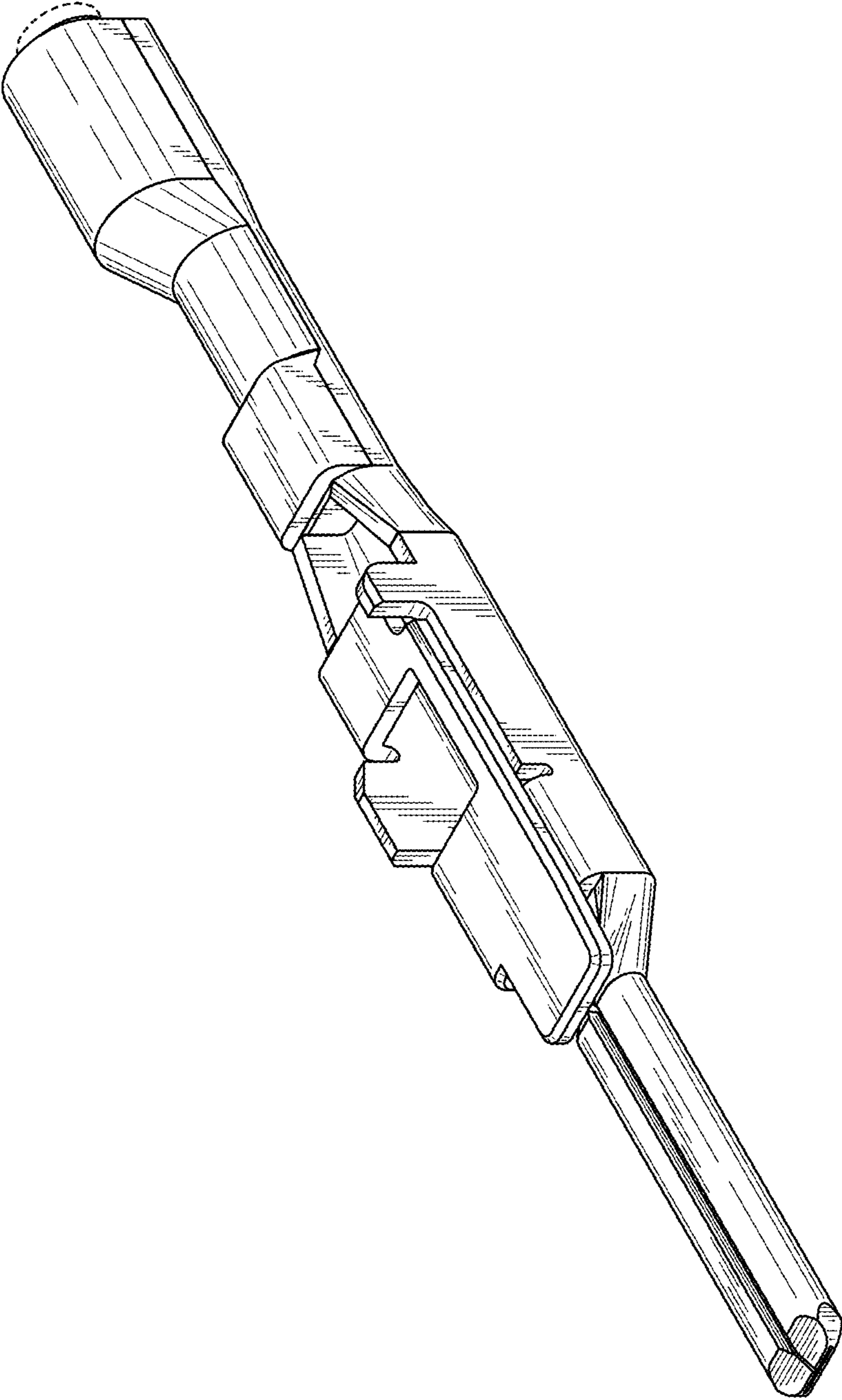


FIG. 2

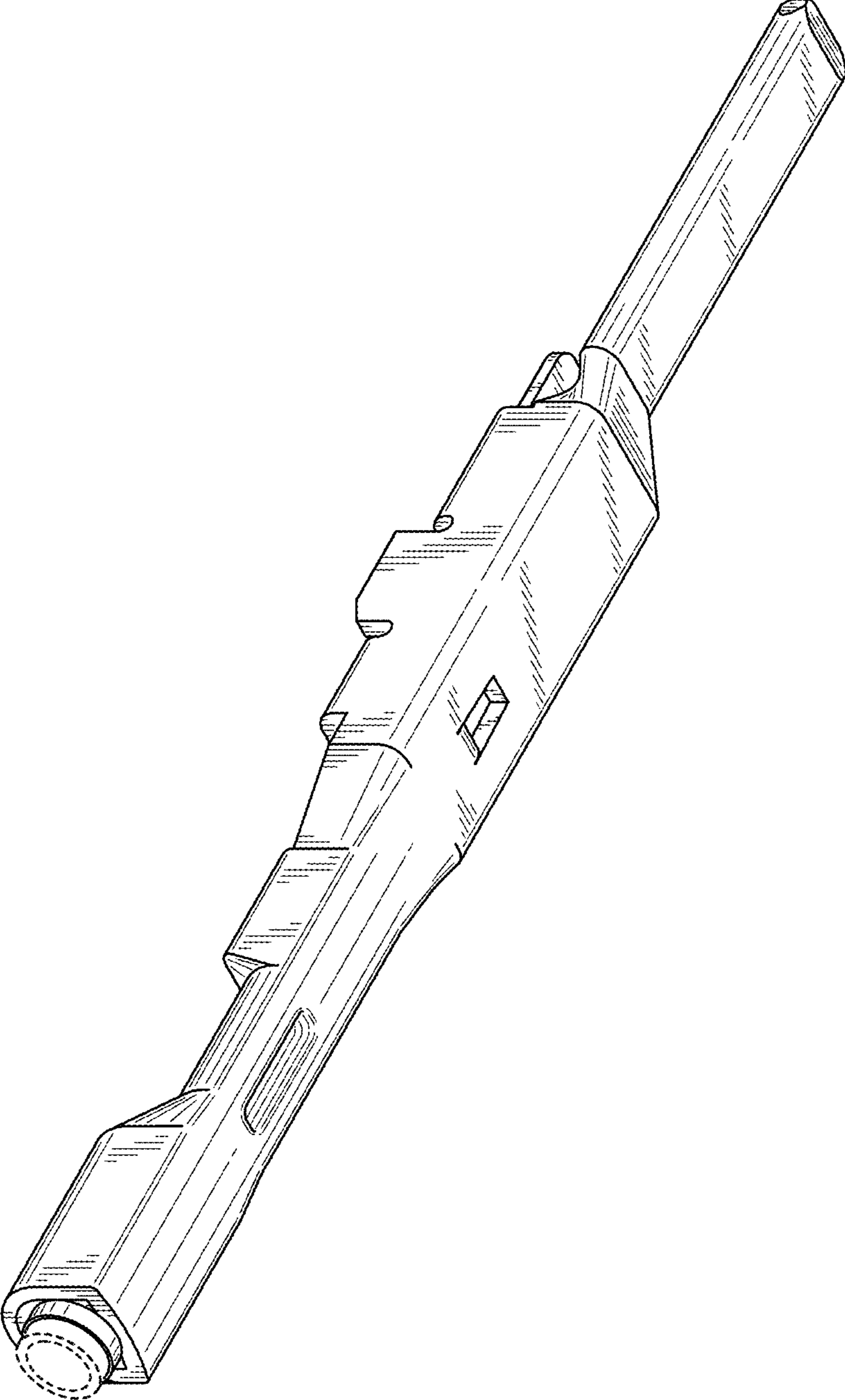


FIG. 3

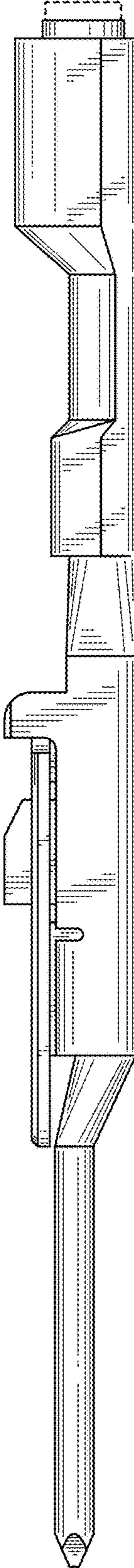


FIG. 4

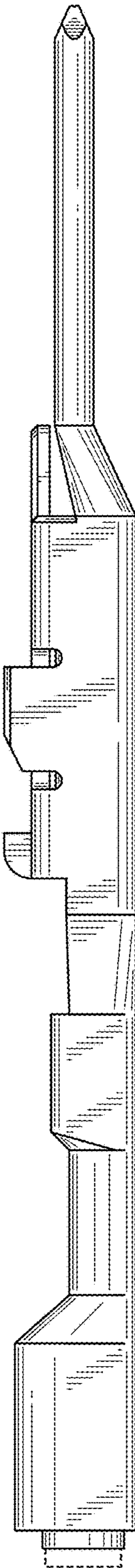


FIG. 5

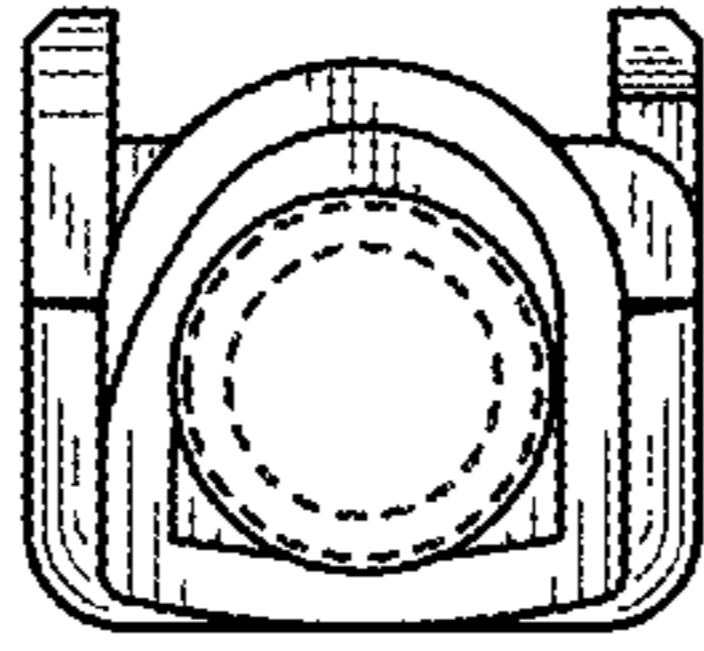


FIG. 6

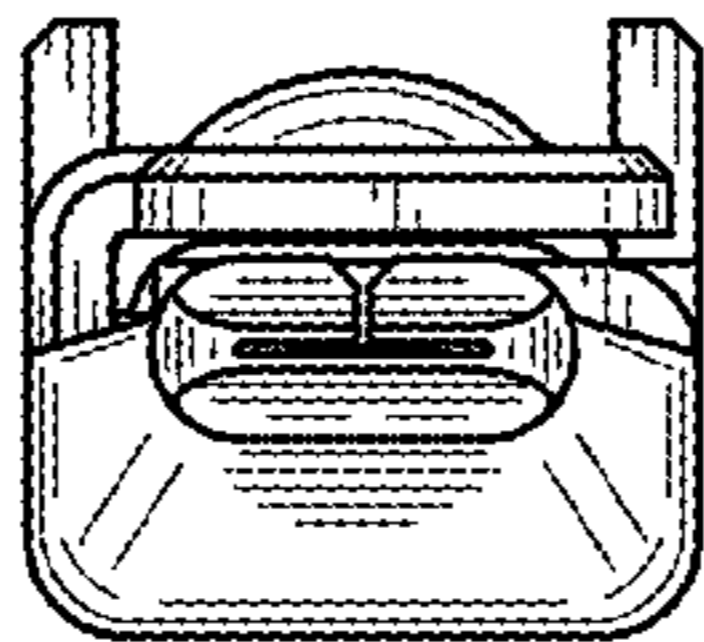


FIG. 7

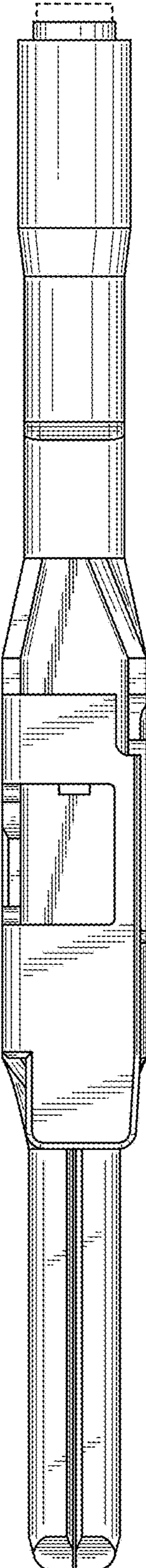


FIG. 8

