



US00D820790S

(12) **United States Design Patent**
Rief

(10) **Patent No.:** **US D820,790 S**

(45) **Date of Patent:** **** Jun. 19, 2018**

- (54) **ELECTRICAL CONNECTOR**
- (71) Applicant: **KLOTZ AIS GmbH**, Vaterstetten (DE)
- (72) Inventor: **Anton Rief**, Munich (DE)
- (73) Assignee: **KLOTZ AIS GmbH**, Vaterstetten (DE)
- (**) Term: **15 Years**
- (21) Appl. No.: **29/555,464**
- (22) Filed: **Feb. 22, 2016**
- (51) **LOC (11) Cl.** **13-03**
- (52) **U.S. Cl.**
USPC **D13/146**
- (58) **Field of Classification Search**
USPC D13/133, 146, 147, 154, 184, 199
CPC .. H01R 13/213; H01R 13/562; H01R 13/623;
H01R 13/639; H01R 13/645; H01R
13/659; H01R 24/22; H01R 24/38; H01R
24/86
See application file for complete search history.

D434,003 S *	11/2000	Brisson	D13/133
D512,378 S *	12/2005	Dobler	D13/146
D512,965 S *	12/2005	Dobler	D13/146
D524,738 S *	7/2006	Dobler	D13/133
D721,654 S *	1/2015	Leem	D13/146

* cited by examiner

Primary Examiner — Daniel Bui
(74) *Attorney, Agent, or Firm* — Dilworth IP LLC

(57) **CLAIM**

The ornamental design for an electrical connector, as shown and described.

DESCRIPTION

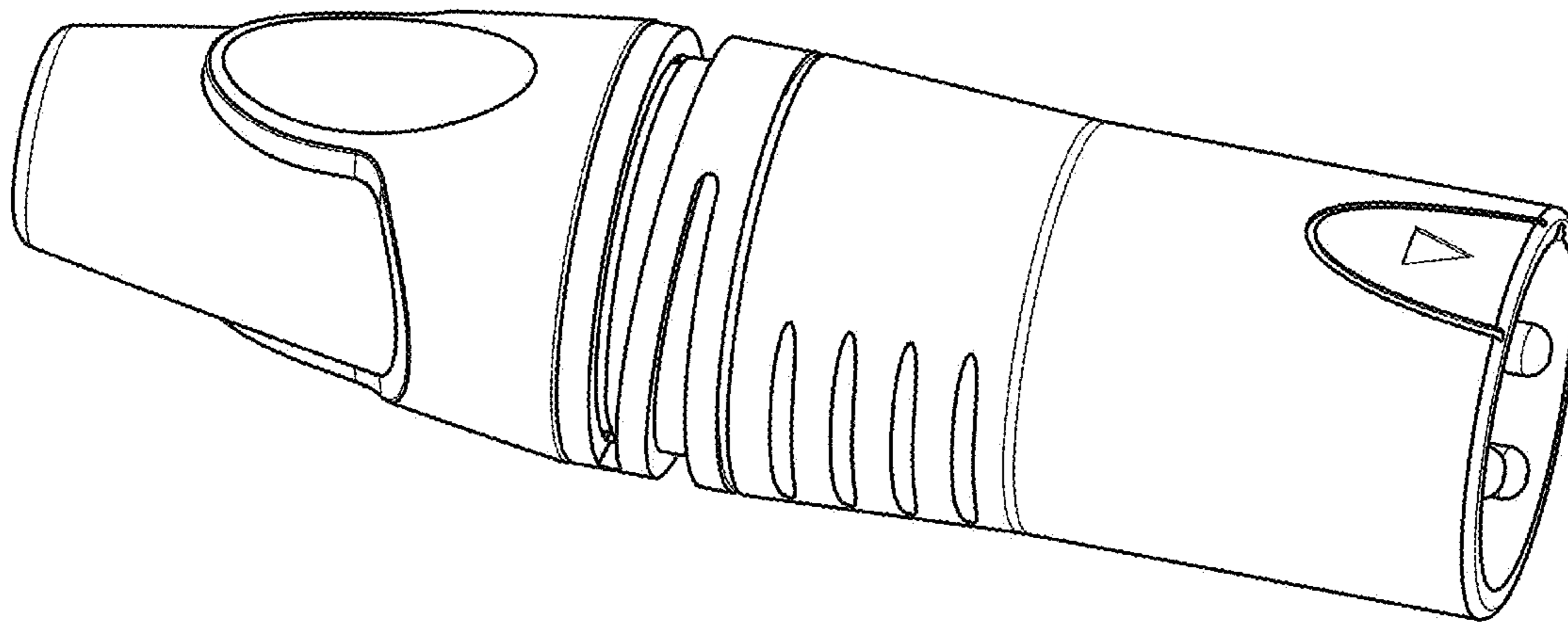
FIG. 1 is a left side elevation view of a connector showing my new design;
FIG. 2 is a right side elevation view thereof;
FIG. 3 is a bottom plan view thereof;
FIG. 4 is a top plan view thereof;
FIG. 5 is a front elevation view thereof;
FIG. 6 is a rear elevation view thereof; and,
FIG. 7 is a top, front and left side perspective view thereof.
A broken line shown in the drawing views represents unclaimed environmental only and forms no part of the claimed design.

(56) **References Cited**

U.S. PATENT DOCUMENTS

D399,188 S *	10/1998	Lin	D13/146
D415,469 S *	10/1999	Lee	D13/146

1 Claim, 7 Drawing Sheets



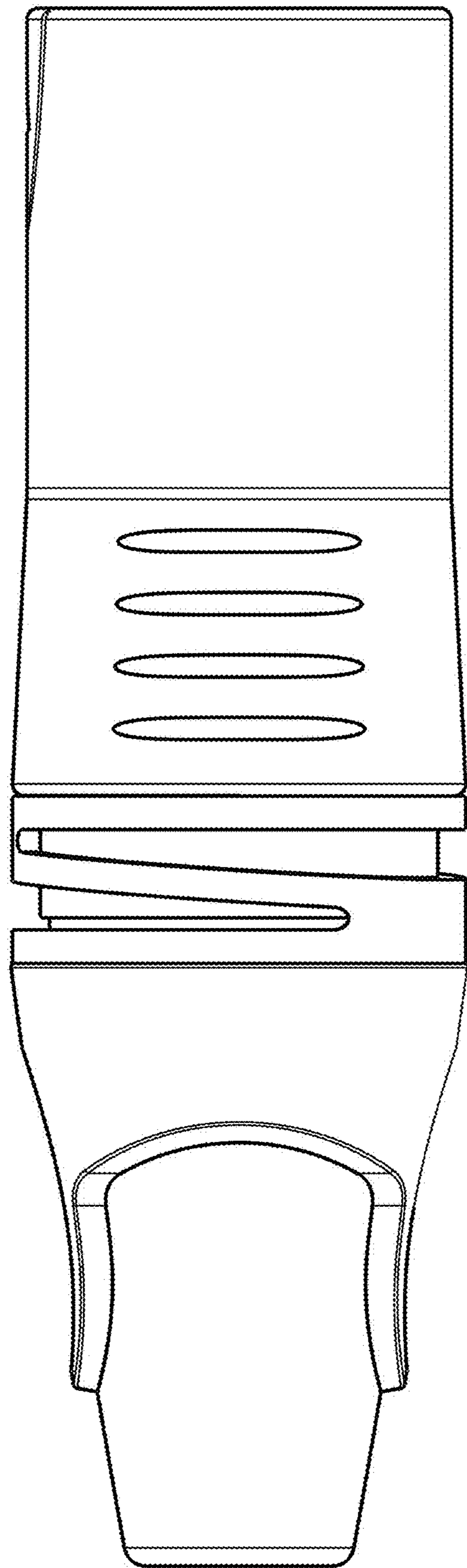


Figure 1

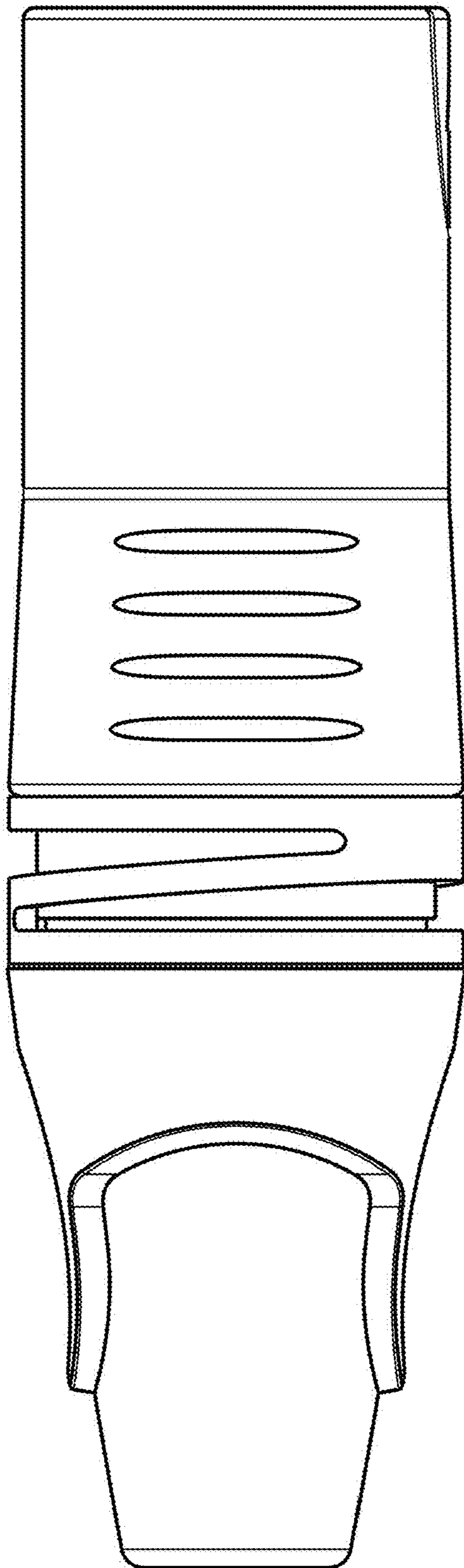


Figure 2

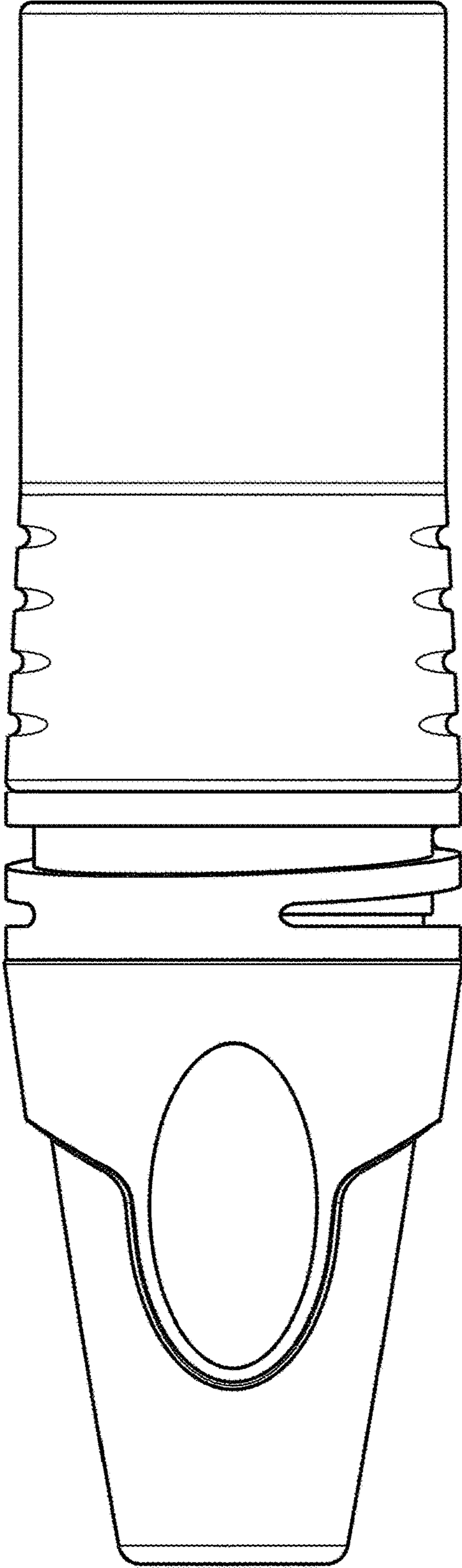


Figure 3

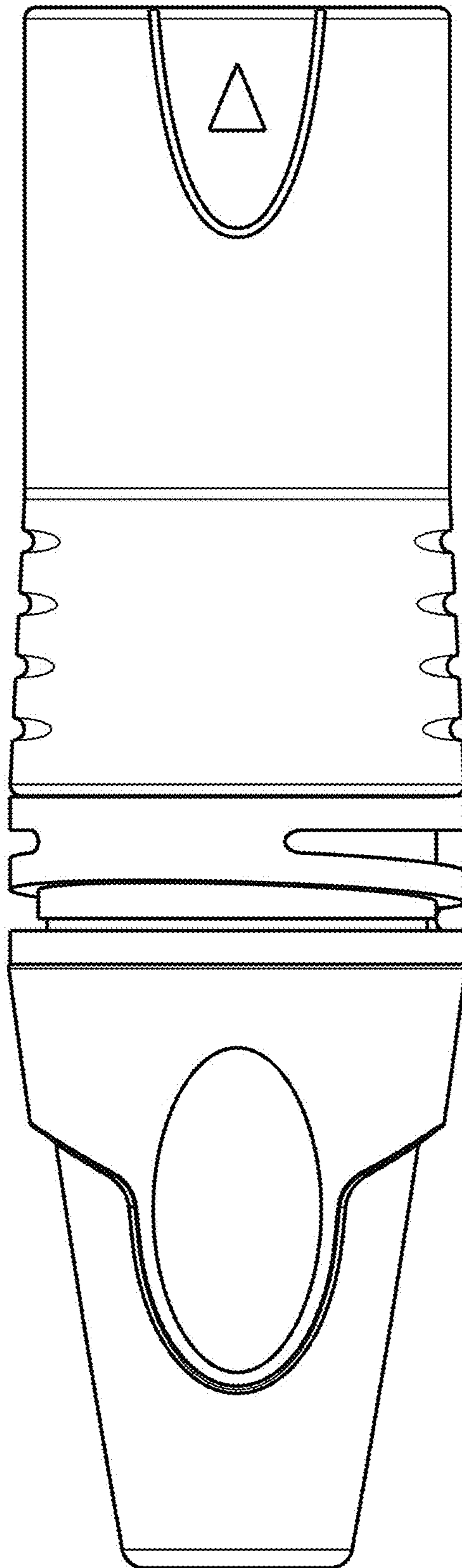


Figure 4

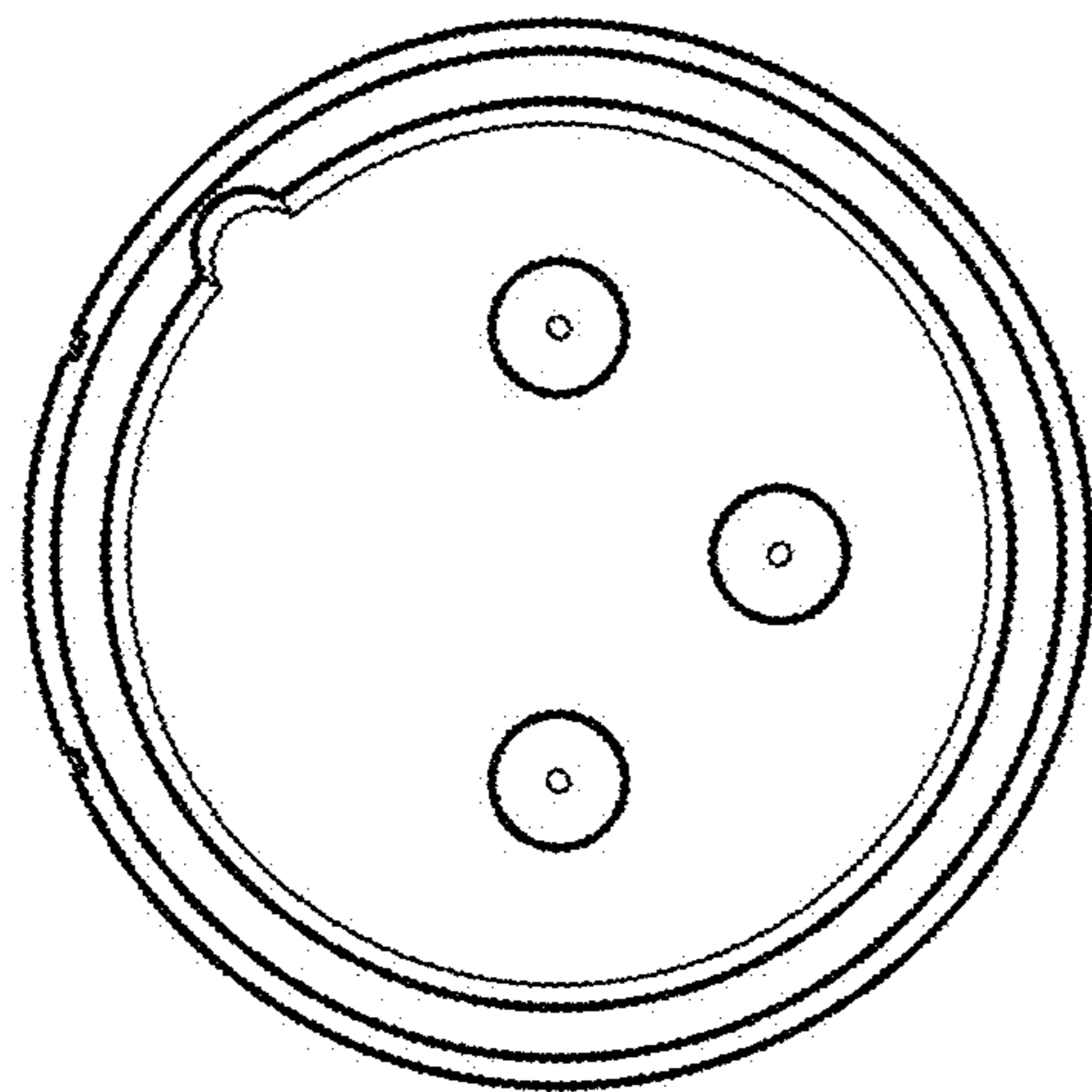


Figure 5

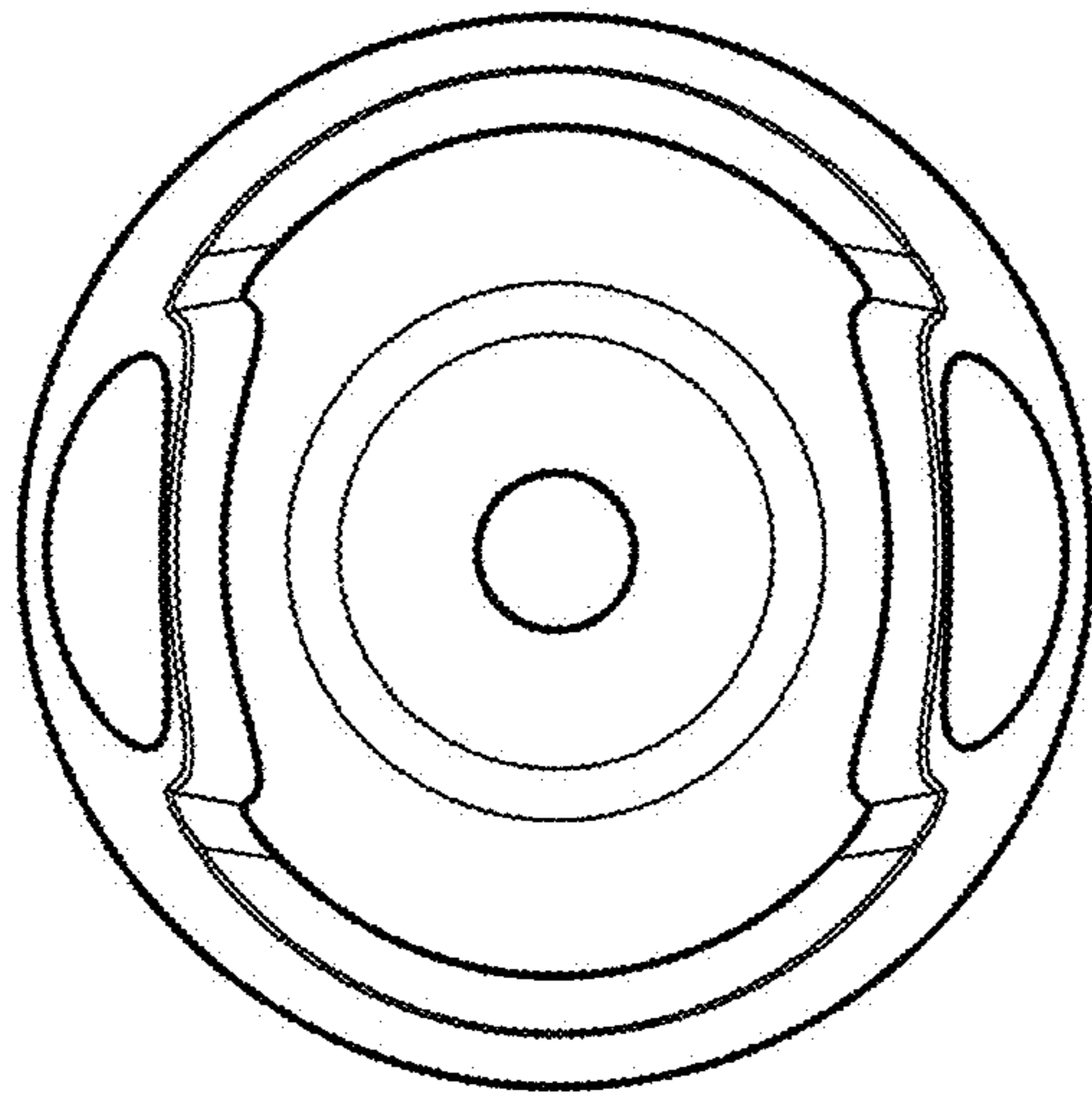


Figure 6

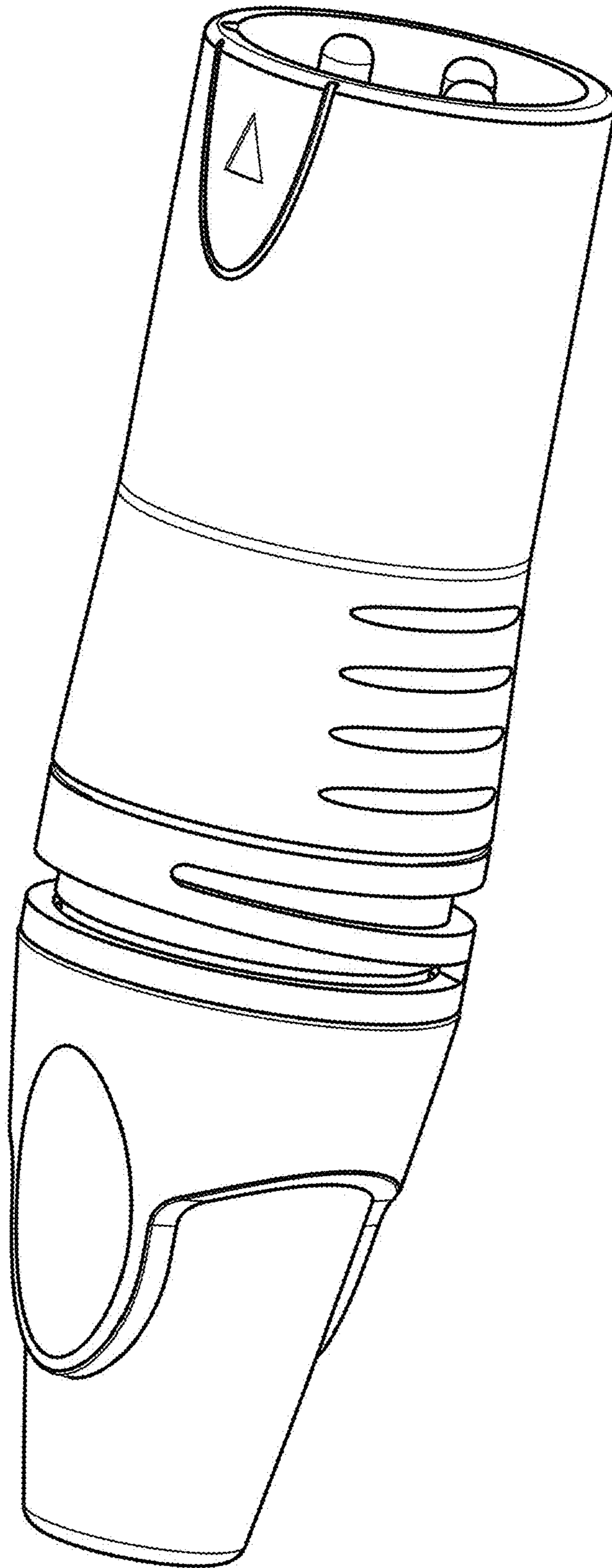


Figure 7