



US00D820789S

(12) **United States Design Patent** (10) **Patent No.:** **US D820,789 S**
Asano (45) **Date of Patent:** **** Jun. 19, 2018**

(54) **ELECTRICAL CONNECTOR**
(71) Applicant: **Hosiden Corporation**, Yao-shi, Osaka (JP)

D461,772 S * 8/2002 Zhou D13/133
D552,550 S * 10/2007 Lin D13/133
8,109,791 B2 * 2/2012 Kameyama H01R 23/6873
439/607.37

(Continued)

(72) Inventor: **Takao Asano**, Yao (JP)
(73) Assignee: **HOSIDEN CORPORATION**, Yao-Shi (JP)

Primary Examiner — Thomas Johannes
Assistant Examiner — Shawn T Gingrich
(74) *Attorney, Agent, or Firm* — Rankin, Hill & Clark LLP

(**) Term: **15 Years**
(21) Appl. No.: **29/549,407**

(57) **CLAIM**

The ornamental design for an electrical connector, as shown and described.

(22) Filed: **Dec. 22, 2015**

DESCRIPTION

(30) **Foreign Application Priority Data**

Jul. 28, 2015 (JP) 2015-016732
Jul. 28, 2015 (JP) 2015-016733

(51) **LOC (11) Cl.** **13-03**

(52) **U.S. Cl.**
USPC **D13/146**

(58) **Field of Classification Search**
USPC D13/103, 112, 118–120, 122, 123, 133,
D13/134, 146–147, 149, 154–156, 173,
D13/184, 199
CPC H01R 13/518; H01R 13/52; H01R 13/64;
H01R 13/6587; H01R 13/65; H01R
13/65802; H01R 23/688; H01R 23/6873;
H01R 24/00; H01R 24/60; H01R 24/62;
H01R 24/78; H01R 12/00; H01R 12/16;
H01R 12/72; H01R 13/66; H01R 13/71;
G02B 6/38; G02B 6/42

See application file for complete search history.

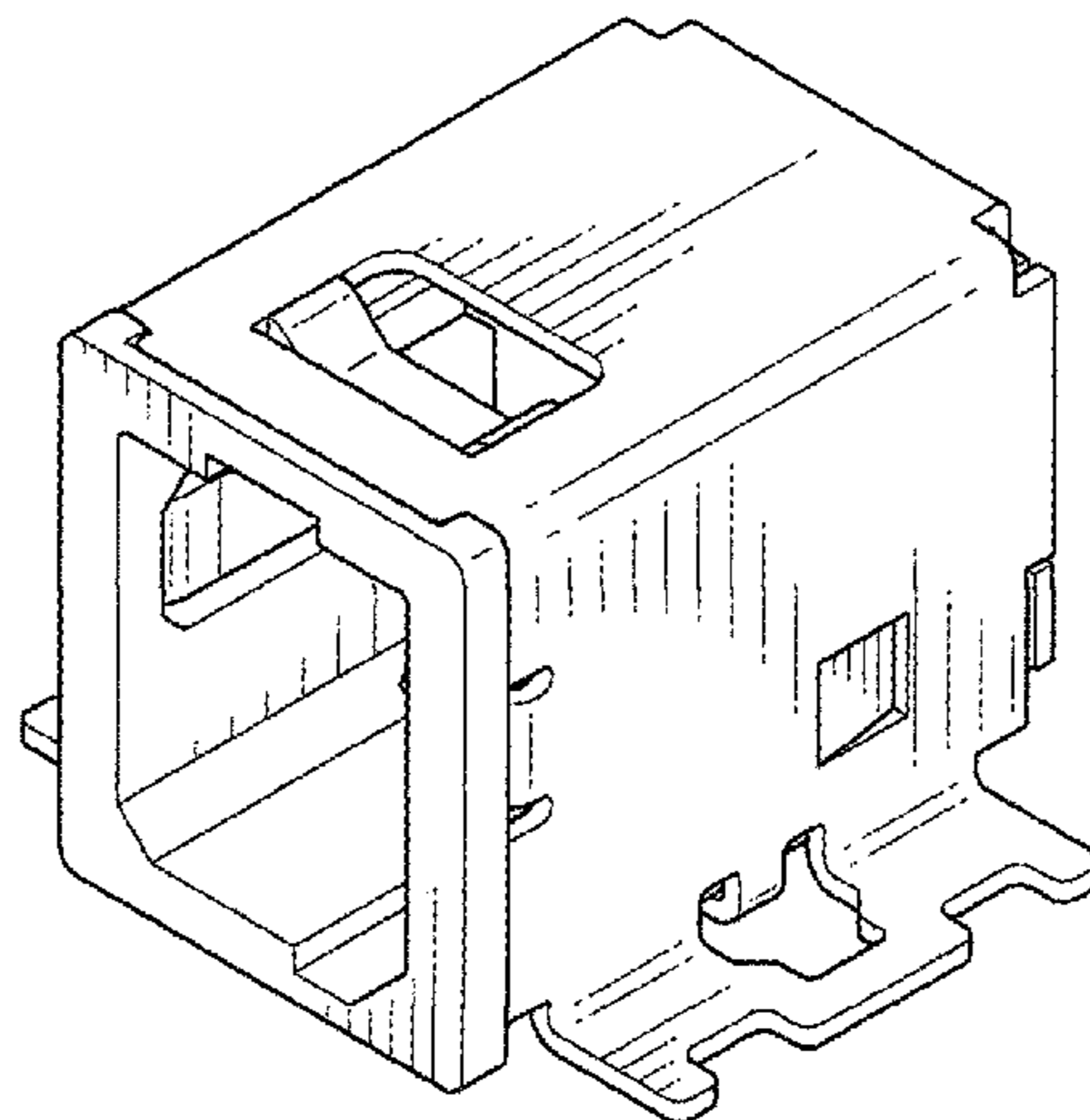
(56) **References Cited**

U.S. PATENT DOCUMENTS

5,989,069 A * 11/1999 Tan H01R 13/719
439/620.23
D454,333 S * 3/2002 Ikeda D13/133
D454,335 S * 3/2002 Okada D13/133

FIG. 1 is a front, right side and top perspective view of an electrical connector in accordance with a first embodiment of my new design;
FIG. 2 is a front, right side and bottom perspective view thereof;
FIG. 3 is a front elevation view thereof;
FIG. 4 is a rear elevation view thereof;
FIG. 5 is a left side view thereof, a right side view being a mirror image thereof;
FIG. 6 is a top plan view thereof;
FIG. 7 is a bottom plan view thereof;
FIG. 8 is a front, right side and top perspective view of an electrical connector in accordance with a second embodiment of my new design;
FIG. 9 is a front, right side and bottom perspective view thereof;
FIG. 10 is a front elevation view thereof;
FIG. 11 is a rear elevation view thereof;
FIG. 12 is a left side view thereof, a right side view being a mirror image thereof;
FIG. 13 is a top plan view thereof; and,
FIG. 14 is a bottom plan view thereof.
The broken line portion of the drawings is included to show portions of the electrical connector that form no part of the claimed design.

1 Claim, 8 Drawing Sheets



(56)

References Cited

U.S. PATENT DOCUMENTS

D676,386	S	*	2/2013	Gassauer	D13/133
D687,780	S	*	8/2013	Shimizu	D13/147
D701,491	S	*	3/2014	Miyoshi	D13/147
D754,072	S	*	4/2016	Katagiyama	D13/133
D756,931	S	*	5/2016	Asano	D13/147
D756,932	S	*	5/2016	Asano	D13/147
D773,998	S	*	12/2016	Endo	D13/147
D810,023	S	*	2/2018	Asano	D13/133
D810,689	S	*	2/2018	Takano	D13/147
D812,570	S	*	3/2018	Sakaizawa	D13/147

* cited by examiner

Fig. 1

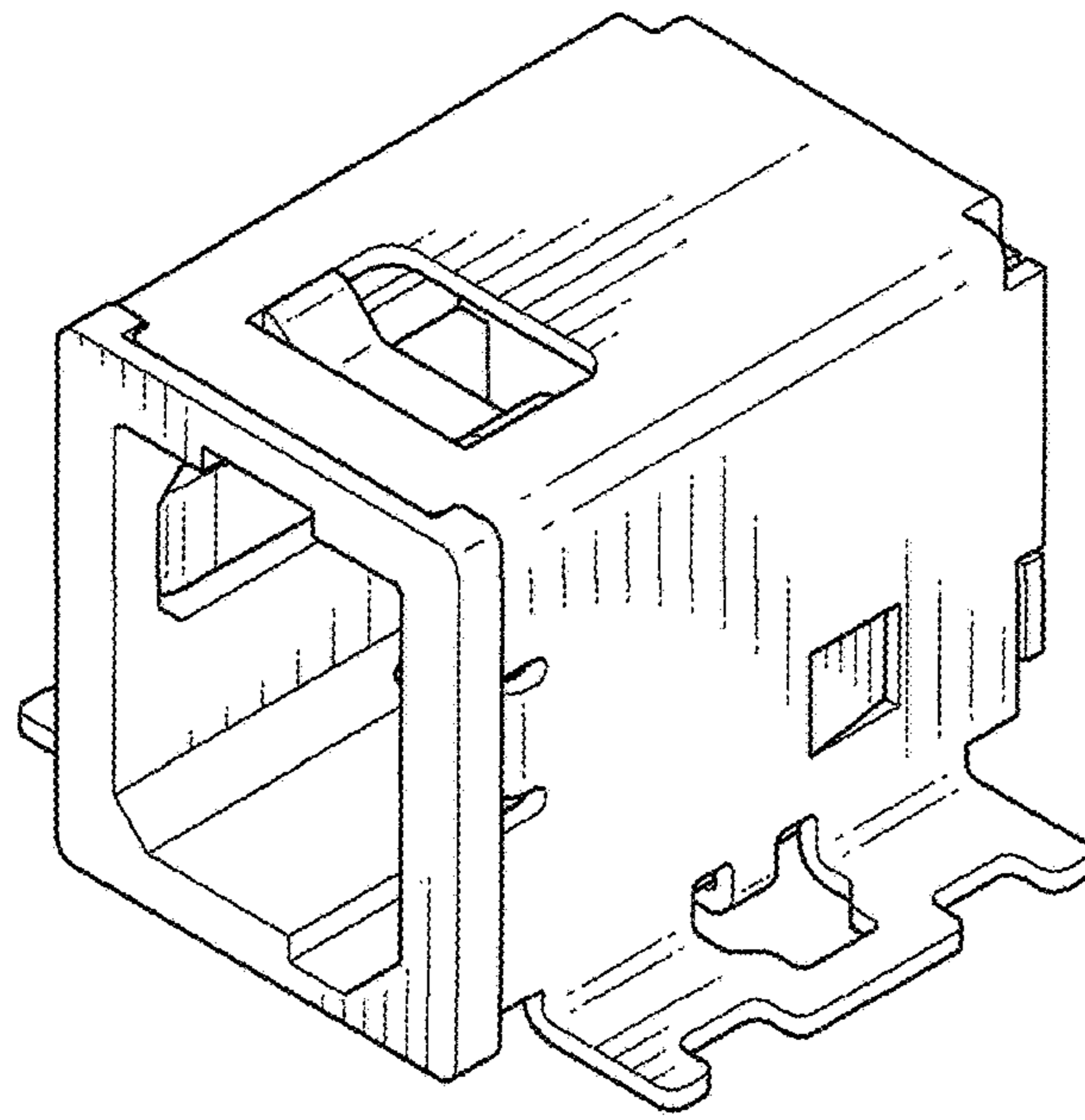


Fig. 2

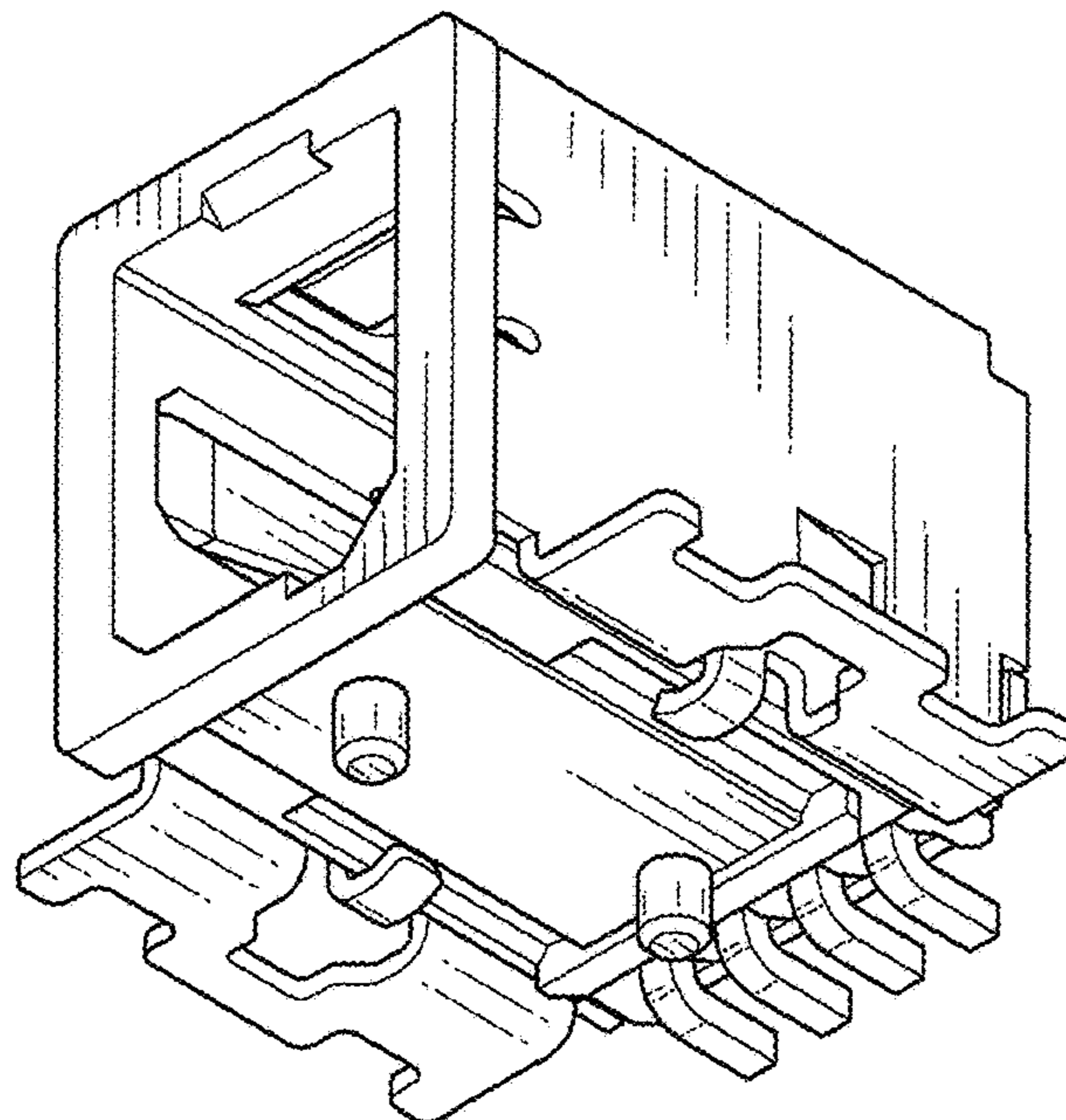


Fig.3

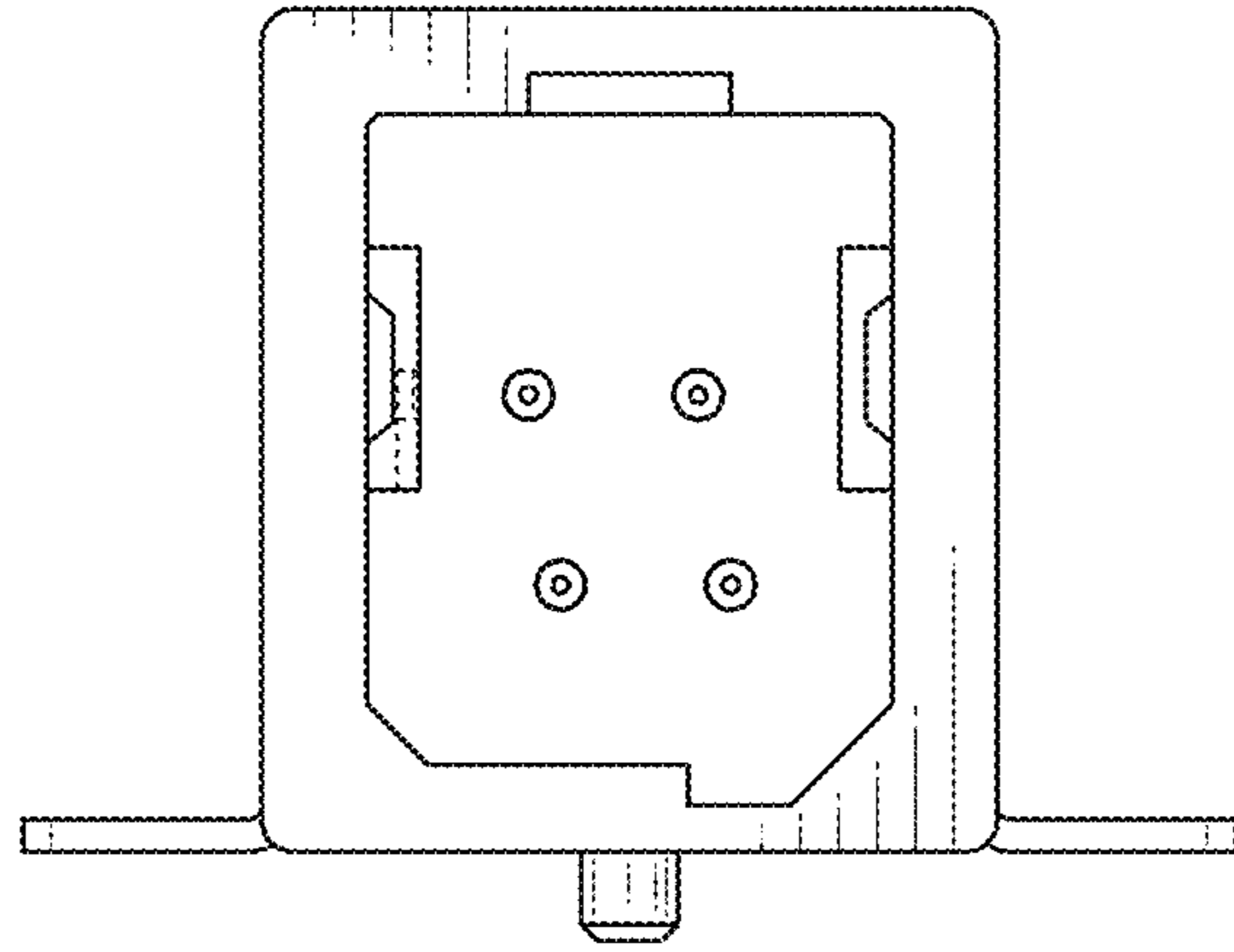


Fig.4

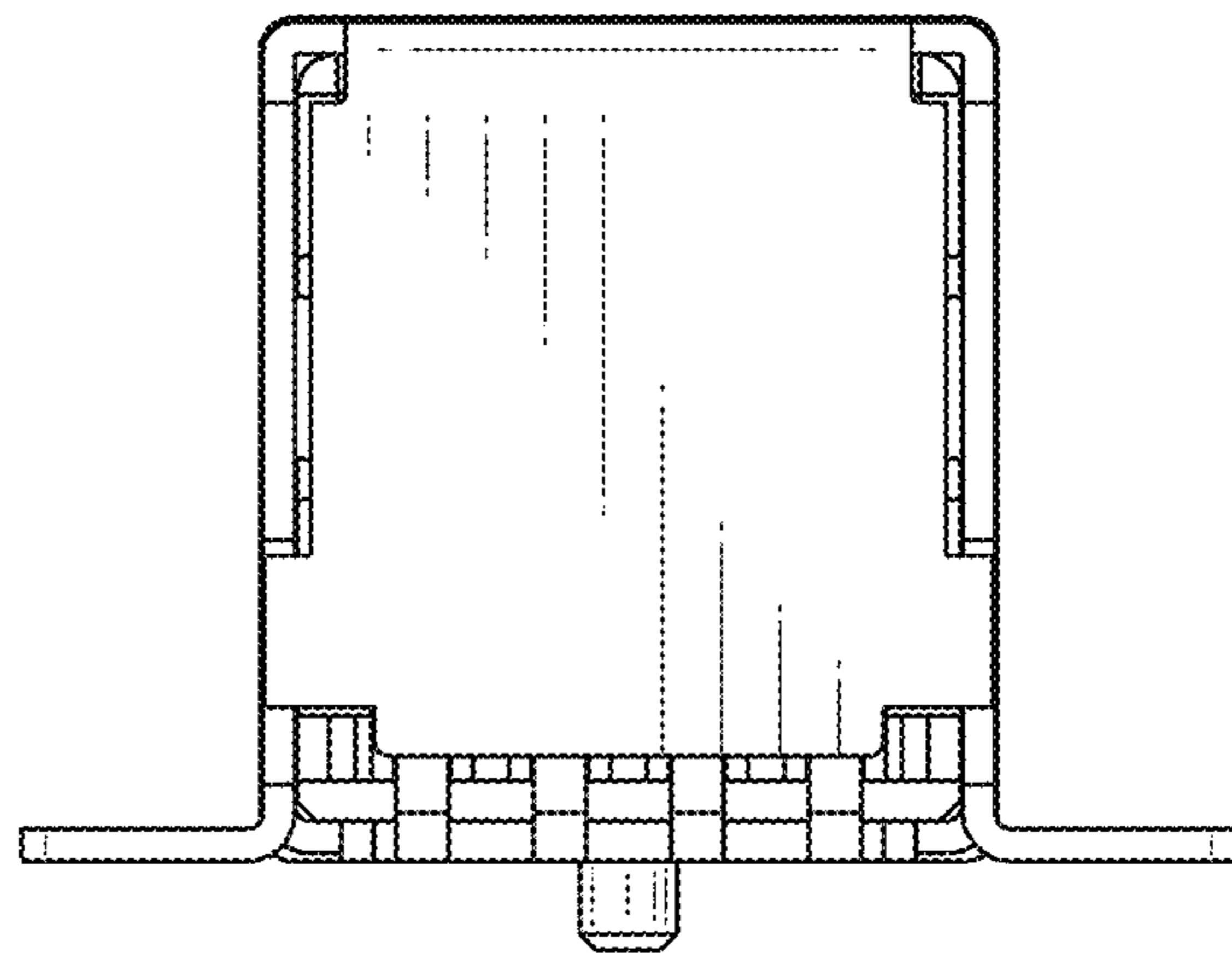


Fig. 5

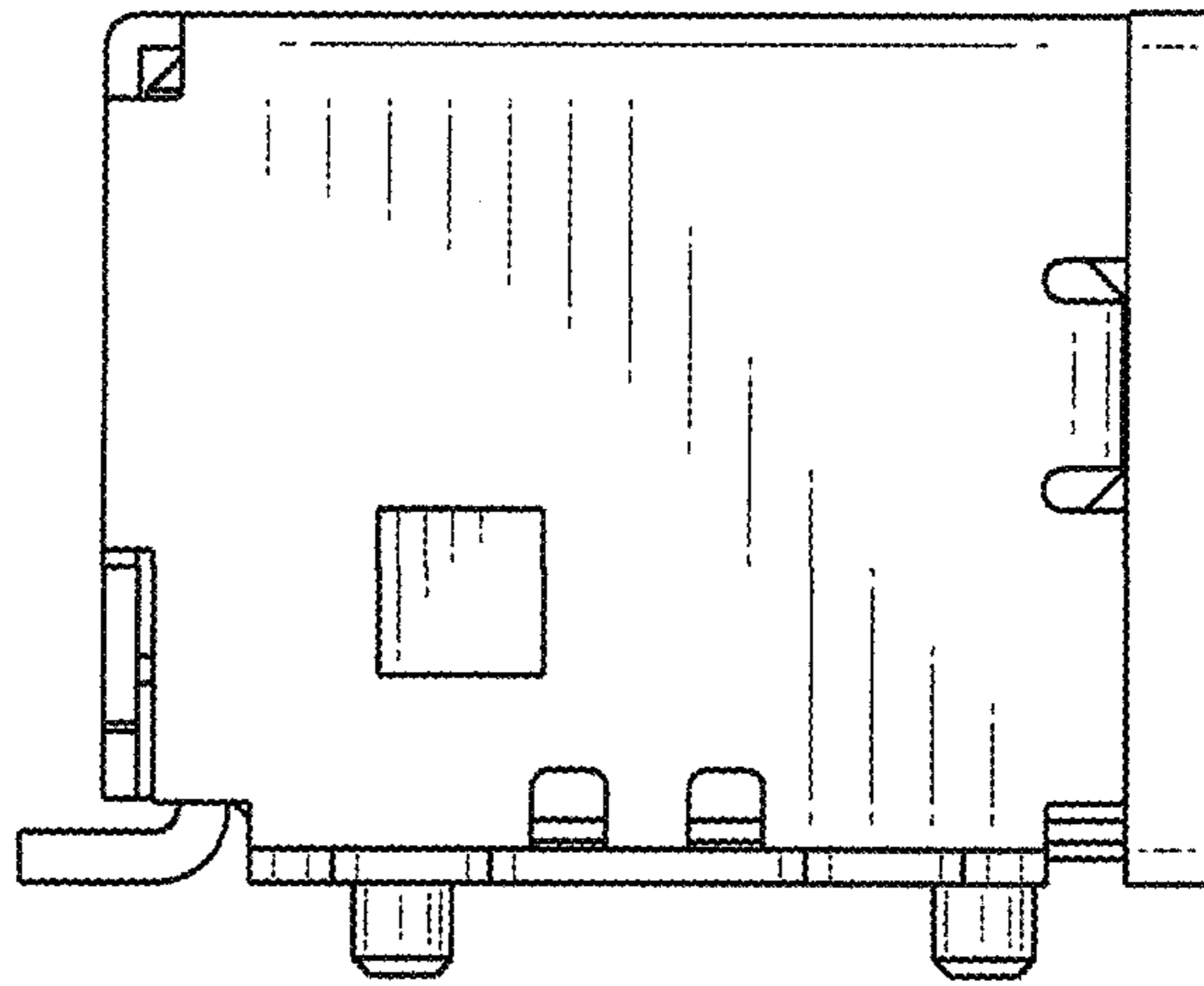


Fig. 6

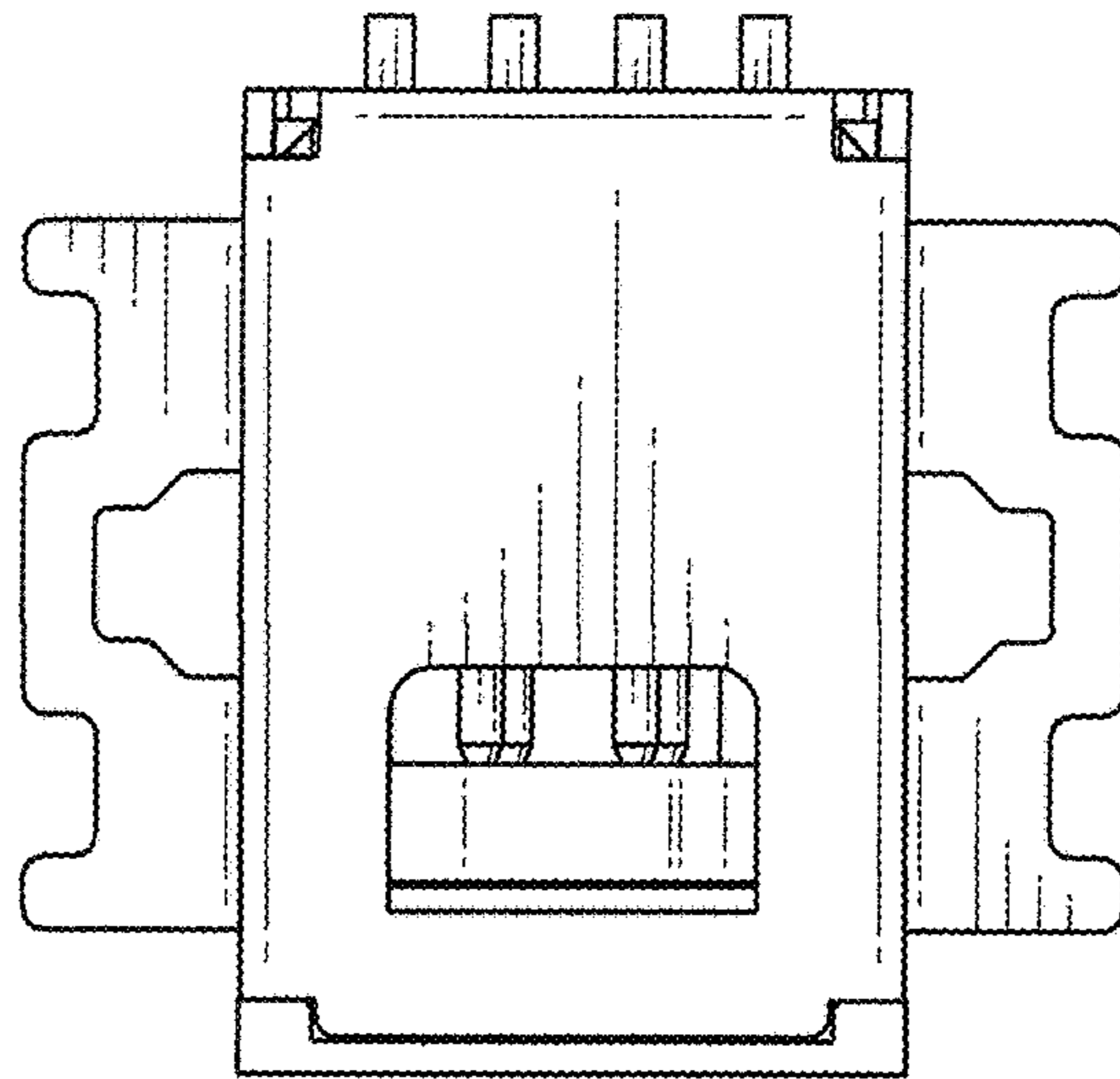


Fig. 7

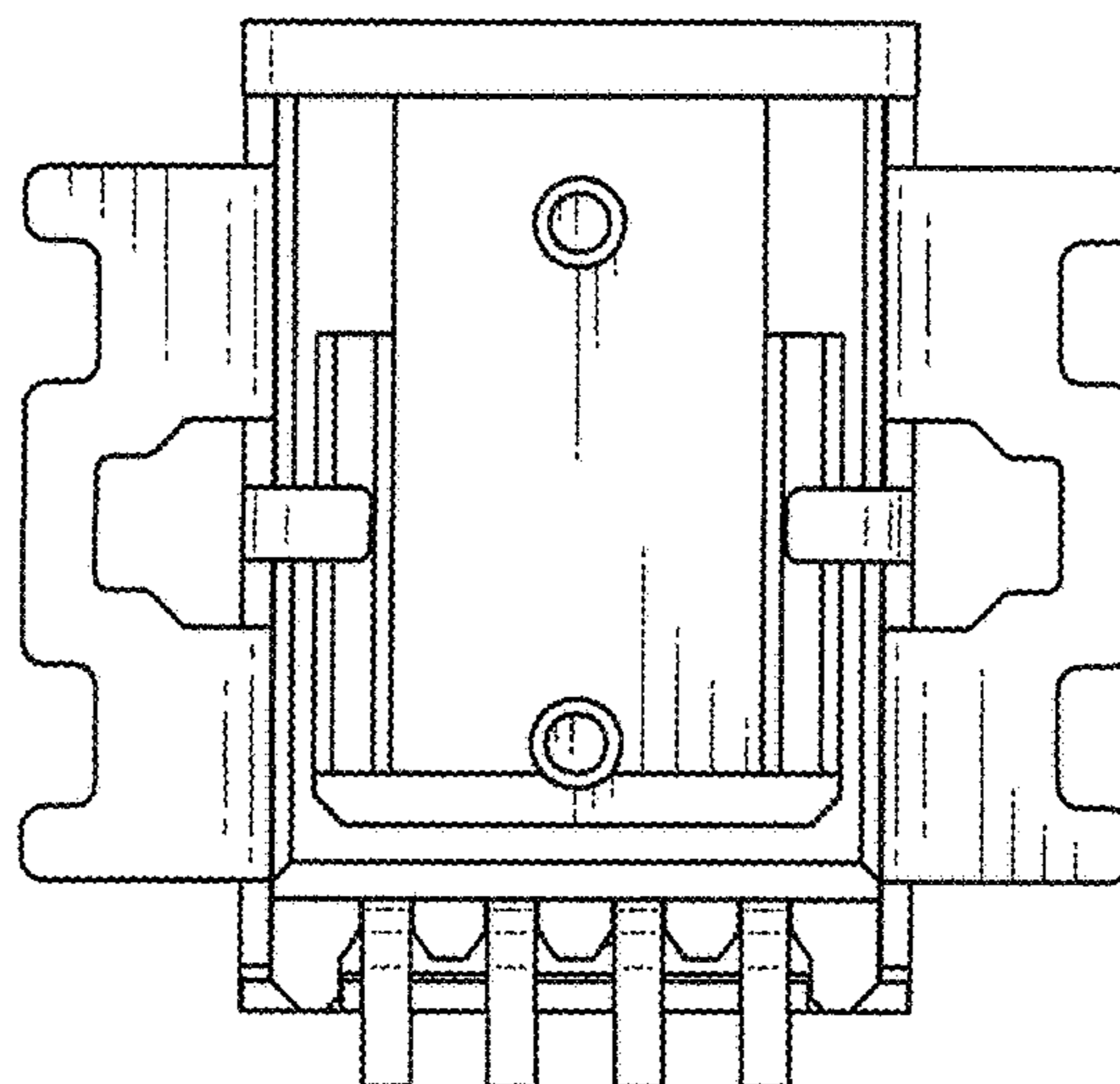


Fig. 8

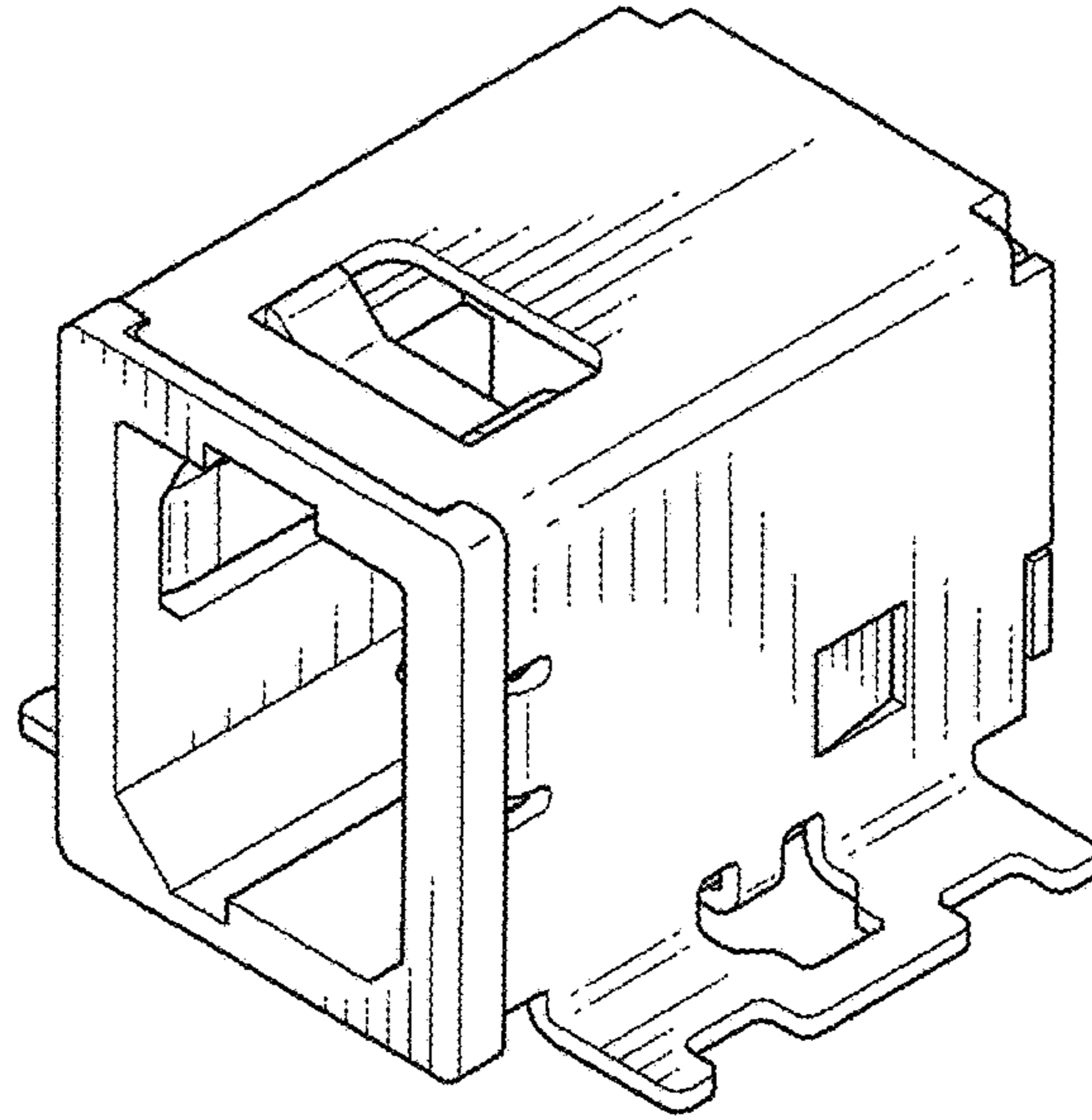


Fig. 9

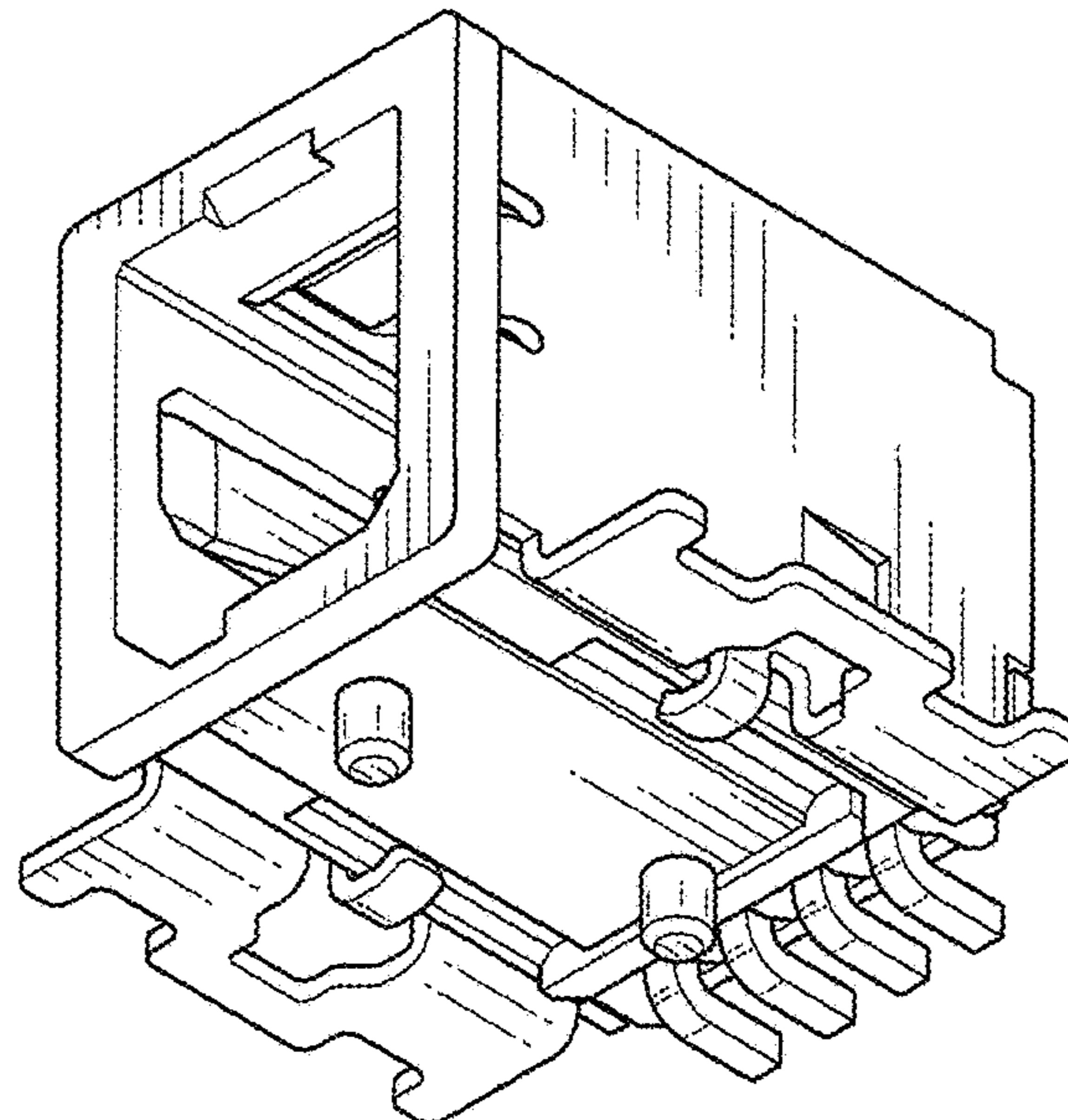


Fig.10

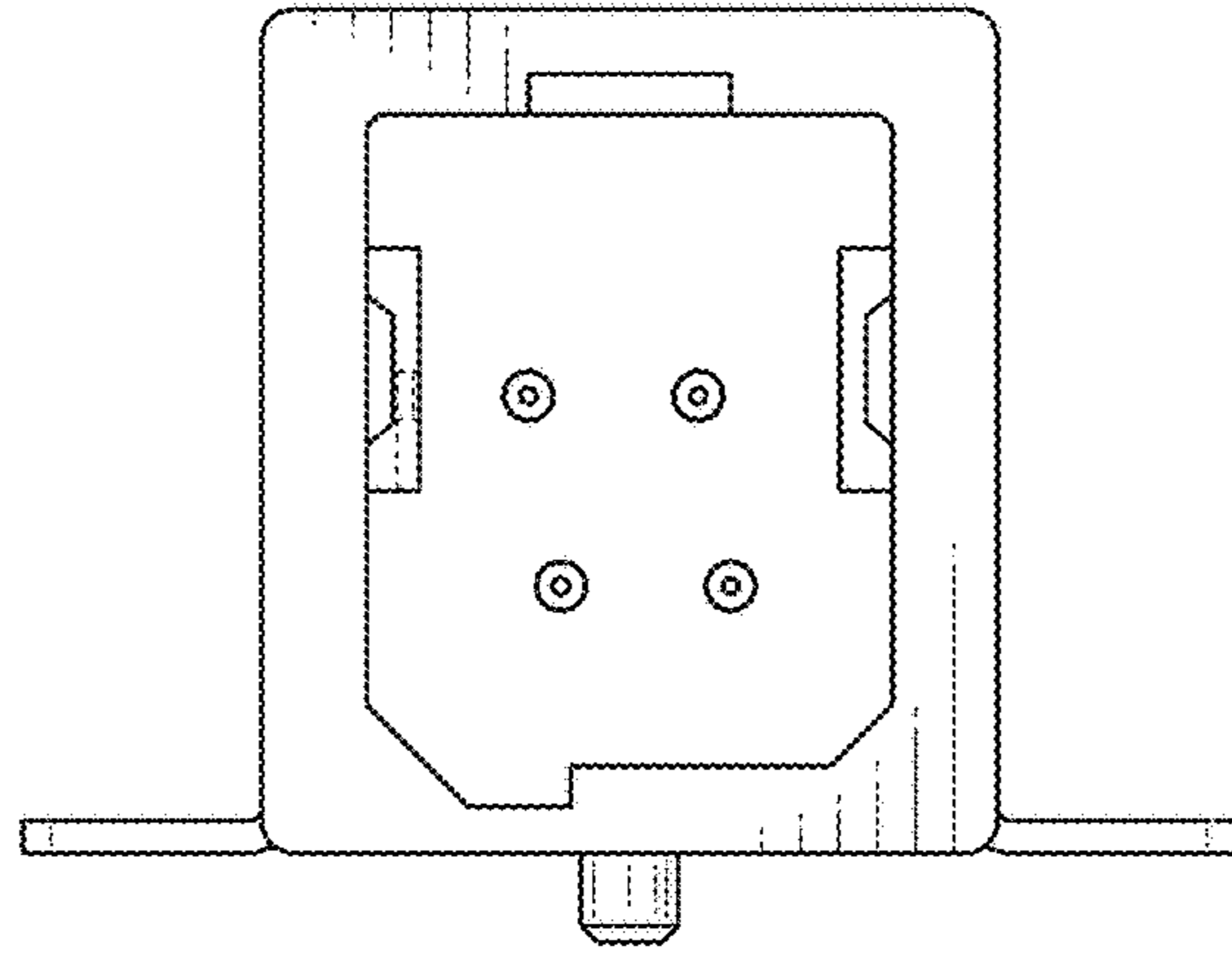


Fig.11

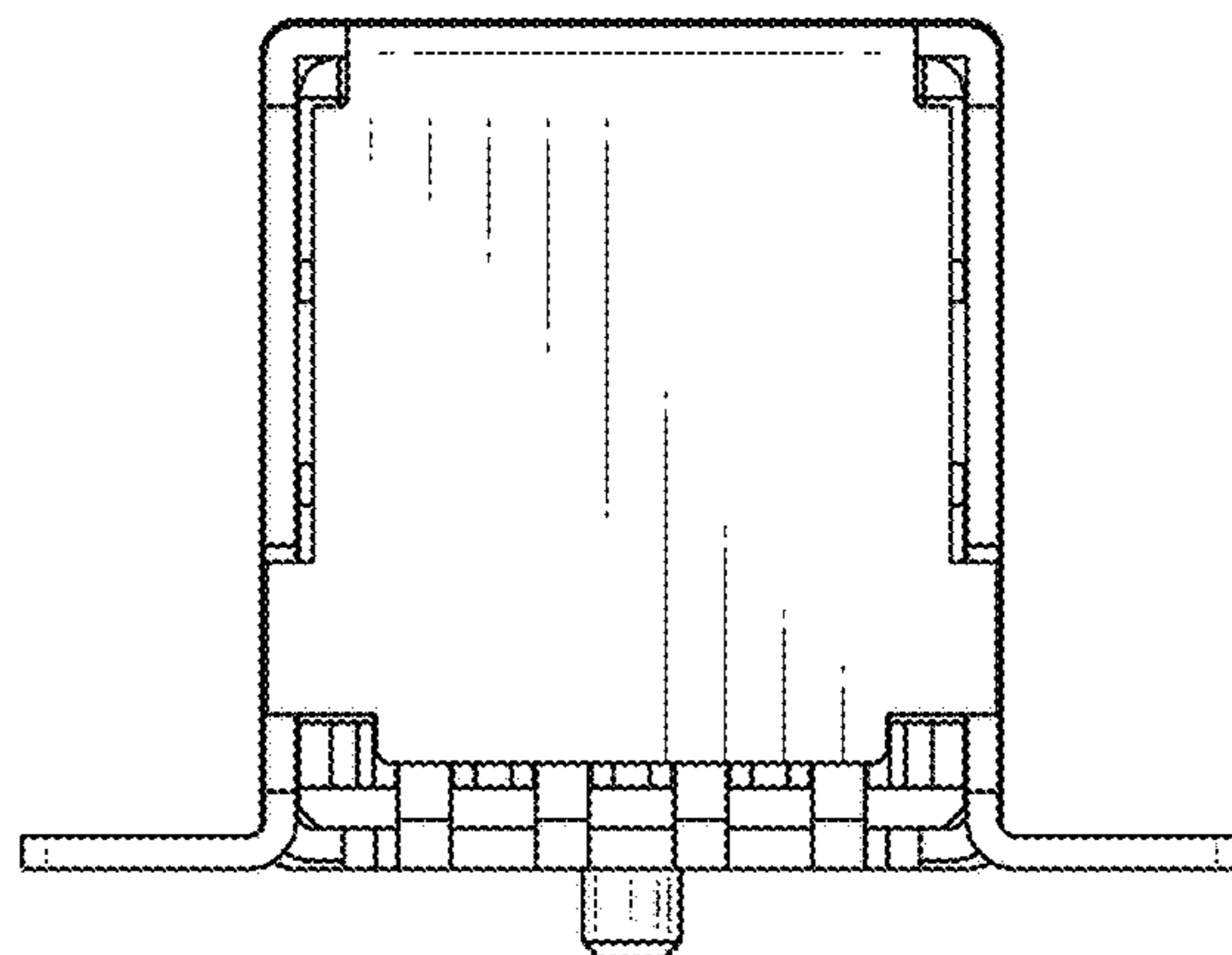


Fig. 12

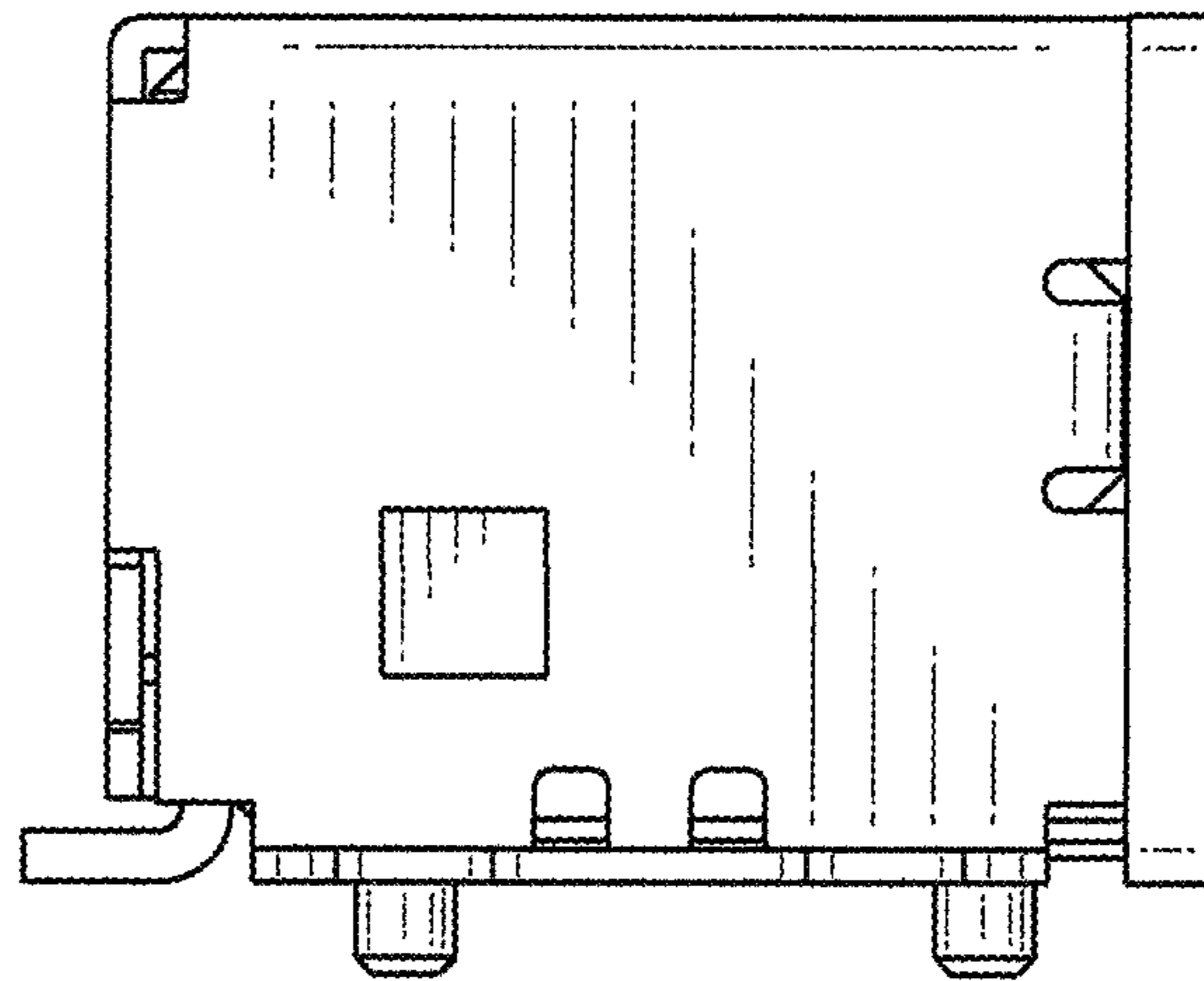


Fig. 13

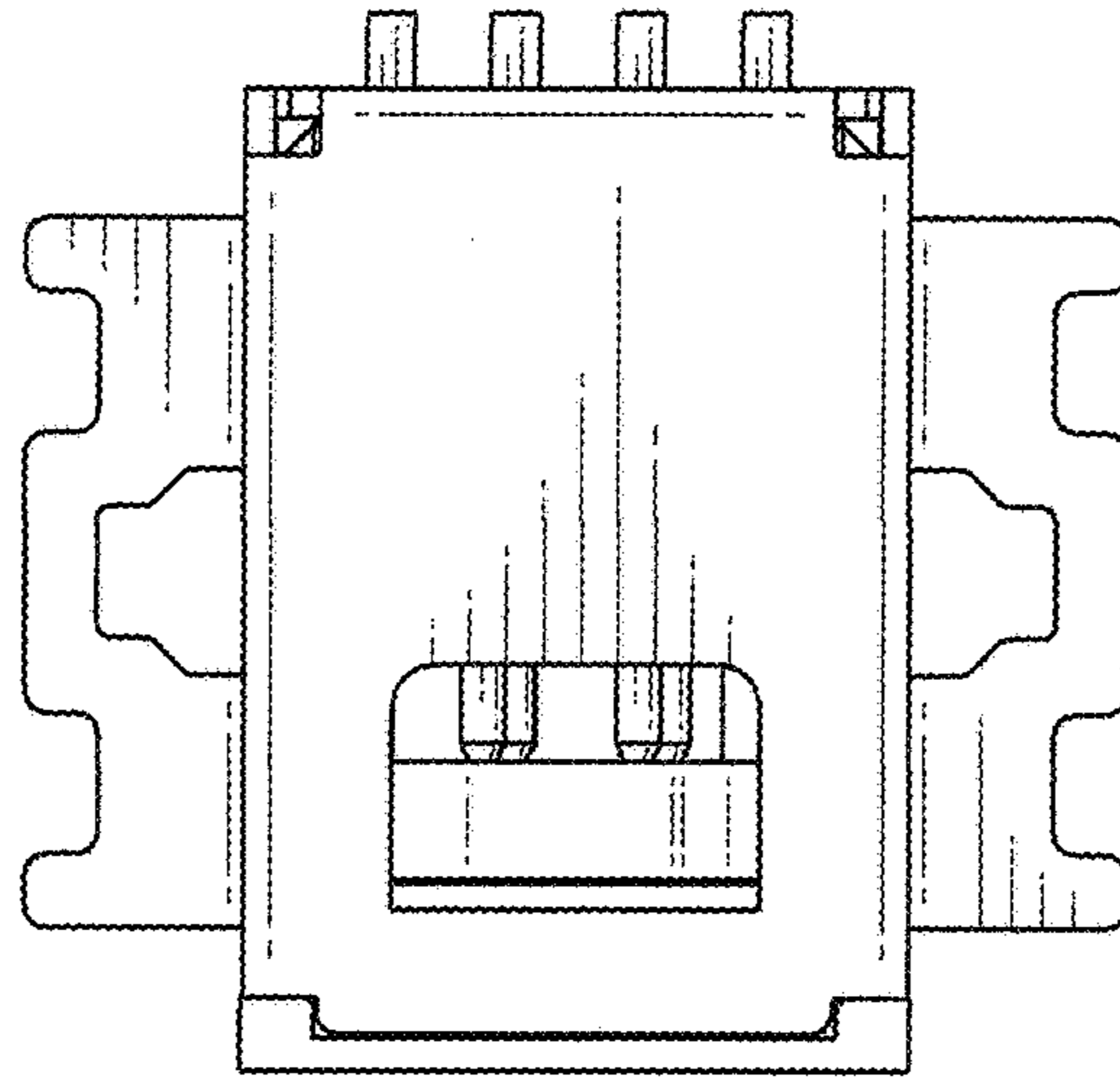


Fig. 14

