



US00D820788S

(12) **United States Design Patent**
Smajda

(10) **Patent No.:** **US D820,788 S**
(45) **Date of Patent:** **** Jun. 19, 2018**

(54) **POWER CONNECTOR**
(71) Applicant: **Westinghouse Air Brake Technologies Corporation**, Wilmerding, PA (US)
(72) Inventor: **Kenneth J. Smajda**, Elkridge, MD (US)
(73) Assignee: **Westinghouse Air Brake Technologies Corporation**, Wilmerding, PA (US)
(**) Term: **15 Years**

5,118,303 A * 6/1992 LeBaron H01R 24/84
439/286
5,800,196 A * 9/1998 Rudoy H01R 24/84
439/284
5,857,866 A * 1/1999 Felps H01R 13/08
439/289
6,309,231 B1 * 10/2001 Gordon H01R 13/4538
439/140
D459,301 S * 6/2002 Fan Wong D13/133
D459,698 S * 7/2002 Fan Wong D13/133
D460,043 S * 7/2002 Fan Wong D13/133
6,447,319 B1 * 9/2002 Bodin H01R 24/84
439/314

(Continued)

(21) Appl. No.: **29/622,803**
(22) Filed: **Oct. 19, 2017**

Related U.S. Application Data

(62) Division of application No. 29/541,351, filed on Oct. 2, 2015, now Pat. No. Des. 803,158.
(51) **LOC (11) Cl.** **13-03**
(52) **U.S. Cl.**
USPC **D13/138.1**
(58) **Field of Classification Search**
USPC D13/138.1-138.4, 156, 110, 108, 137.2,
D13/137.4, 133, 147, 154, 139.1;
439/314, 284, 140, 289, 286, 281, 291,
439/345
CPC .. H01R 24/84; H01R 13/623; H01R 13/6215;
H01R 13/432; H01R 13/5219; H01R
13/6278
See application file for complete search history.

(56) **References Cited**

U.S. PATENT DOCUMENTS

3,252,124 A * 5/1966 Hansen H01R 24/84
439/291
4,695,110 A * 9/1987 Wasserlein H01R 13/28
439/281
4,917,623 A * 4/1990 Grabbe H01R 13/28
439/284

FOREIGN PATENT DOCUMENTS

EP 1081799 A2 3/2001
WO 2015017501 A1 2/2015

Primary Examiner — Rhea Shields

(74) *Attorney, Agent, or Firm* — The Webb Law Firm

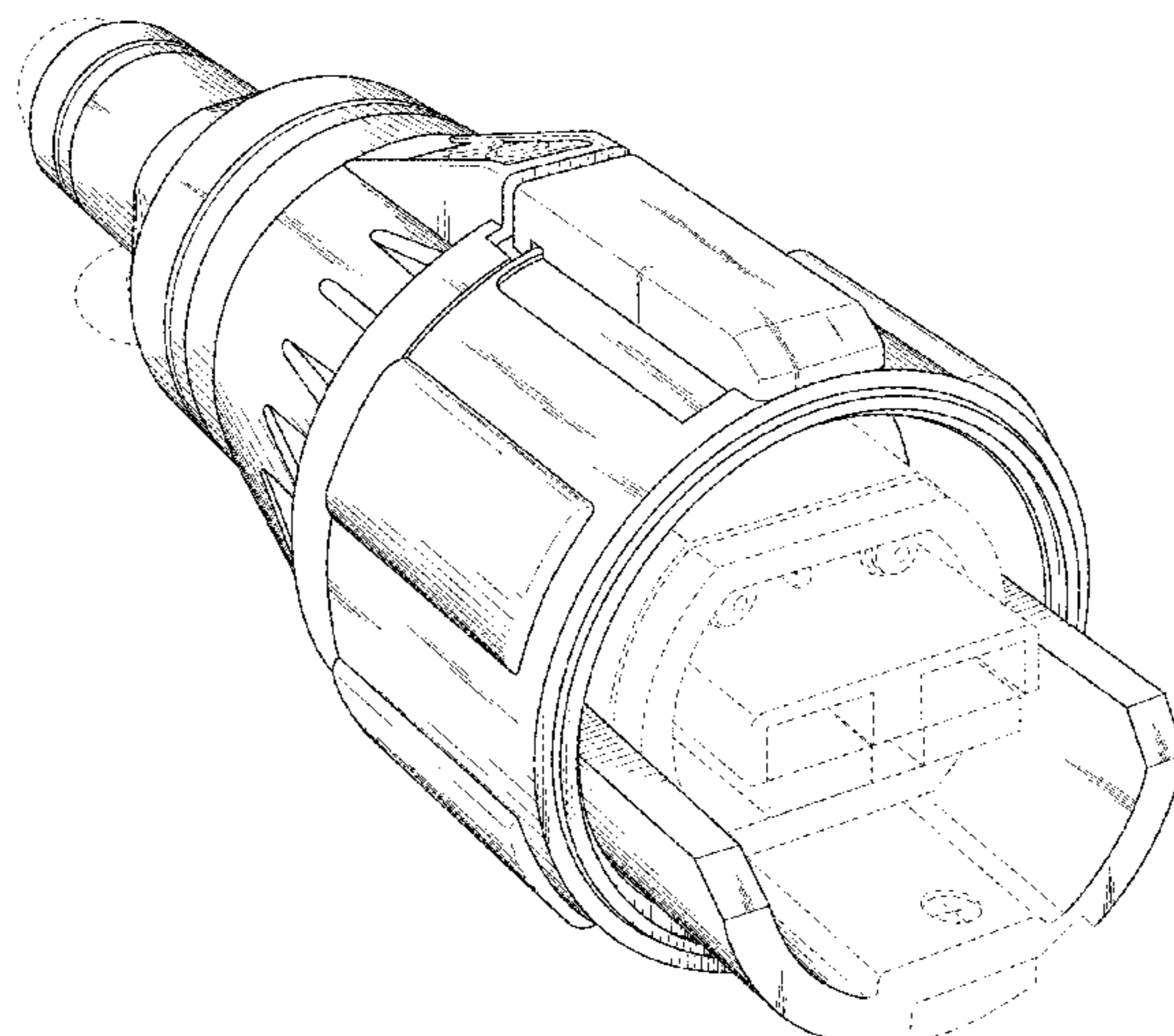
(57) **CLAIM**

The ornamental design for a power connector, as shown and described.

DESCRIPTION

FIG. 1 is a front elevation view of a power connector, showing my new design;
FIG. 2 is a rear elevation view thereof;
FIG. 3 is a left side elevation view thereof;
FIG. 4 is a right side elevation view thereof;
FIG. 5 is a top view thereof;
FIG. 6 is a bottom view thereof;
FIG. 7 is an upper left front perspective view thereof;
FIG. 8 is a lower right front perspective view thereof; and,
FIG. 9 is a rear perspective view thereof.
The portions of the power connector shown in broken lines form no part of the claimed design.

1 Claim, 8 Drawing Sheets



(56)

References Cited

U.S. PATENT DOCUMENTS

D484,096 S * 12/2003 Mackin D13/138.2
6,881,084 B2 4/2005 Crossan et al.
D510,067 S * 9/2005 Miller D13/137.4
6,997,731 B1 * 2/2006 Wood H01R 13/623
439/314
D537,784 S * 3/2007 Suckle D13/138.1
D586,758 S * 2/2009 Victor D13/156
D587,653 S * 3/2009 Barnes, Jr. D13/138.1
D587,656 S * 3/2009 Shen D13/147
D604,245 S * 11/2009 Reusche D13/133
D608,737 S * 1/2010 Upham D13/147
D620,452 S * 7/2010 Corless D13/154
D620,453 S * 7/2010 Corless D13/154
D633,870 S * 3/2011 Thommes D13/139.1
D651,976 S * 1/2012 Akahori D13/138.2
D652,383 S * 1/2012 Akahori D13/138.2
D681,554 S * 5/2013 Nelson D13/137.2
D682,211 S * 5/2013 Nelson D13/137.2
D693,767 S * 11/2013 Zaslaysky D13/110
D707,626 S * 6/2014 Atkinson D13/110
9,293,858 B2 * 3/2016 Iikhanov H01R 13/6215
9,437,961 B1 * 9/2016 Smajda H01R 13/5219
D803,158 S * 11/2017 Smajda D13/138.1
2003/0013337 A1 * 1/2003 Crossan G02B 6/383
439/284
2004/0115980 A1 * 6/2004 Douty H01R 24/84
439/284
2015/0079829 A1 * 3/2015 Brodsgaard H01R 24/84
439/284
2016/0181716 A1 * 6/2016 Ramanna H01R 13/432
439/345
2017/0310044 A1 * 10/2017 Smajda H01R 13/6278

* cited by examiner

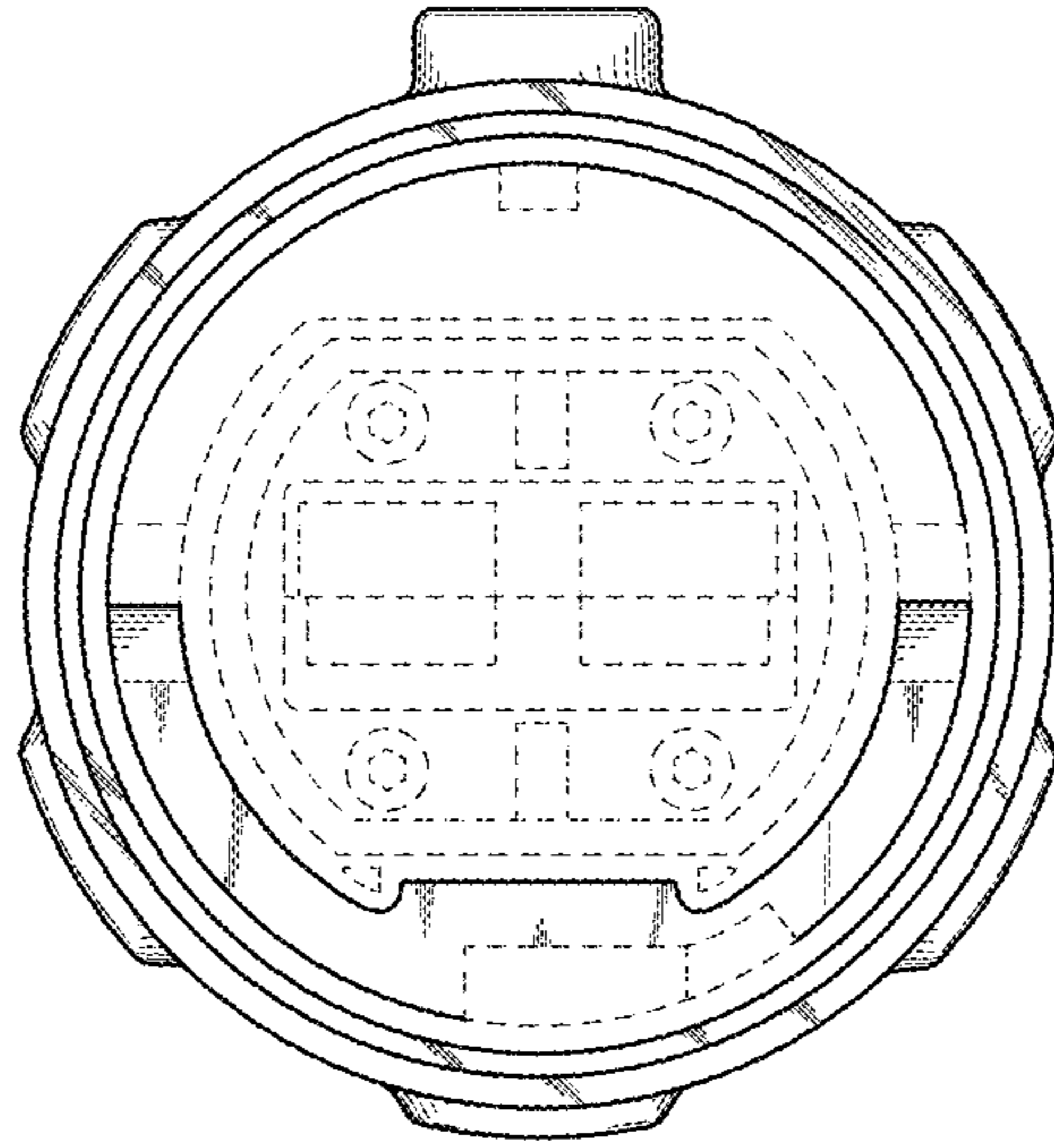


FIG. 1

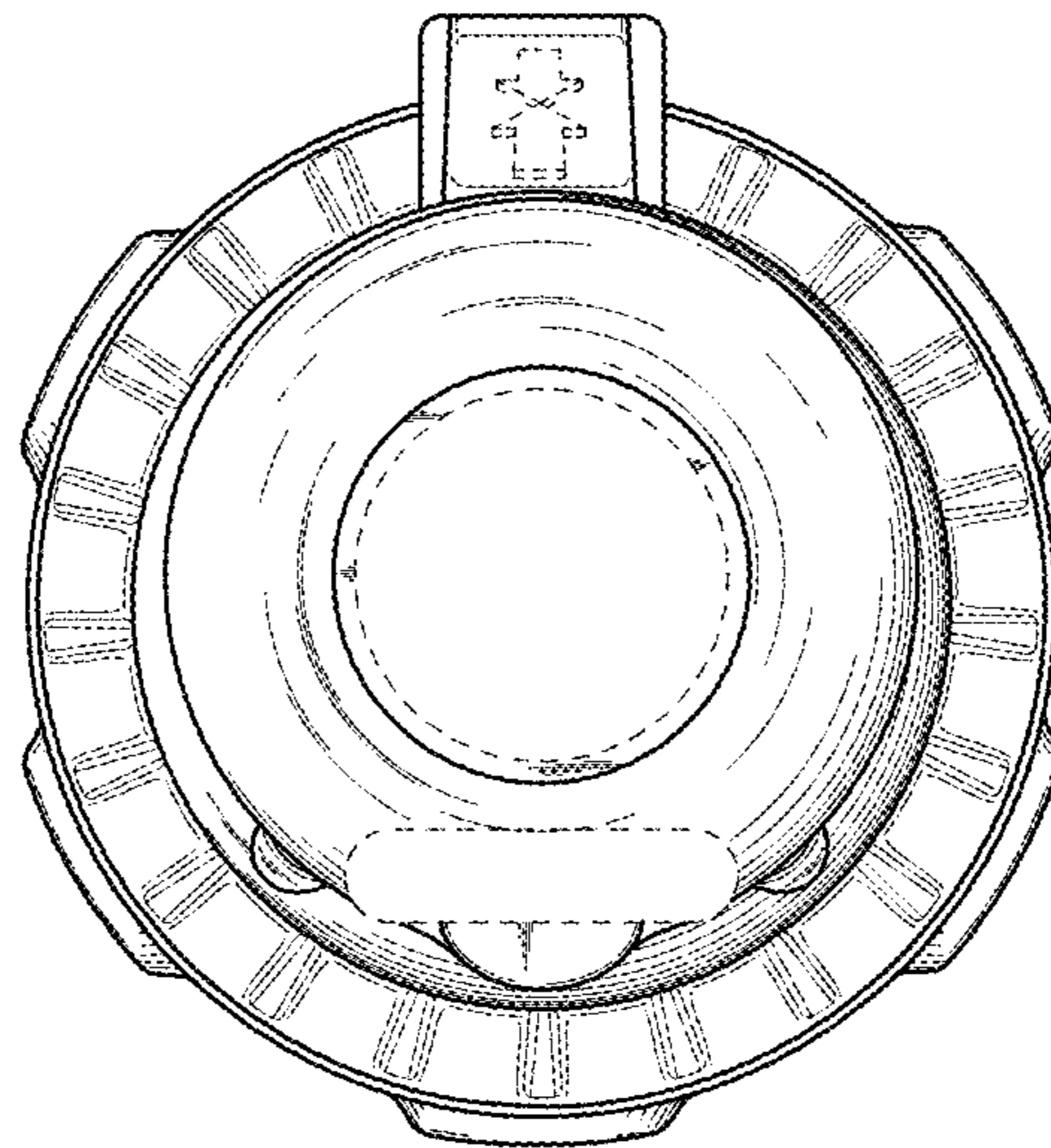


FIG. 2

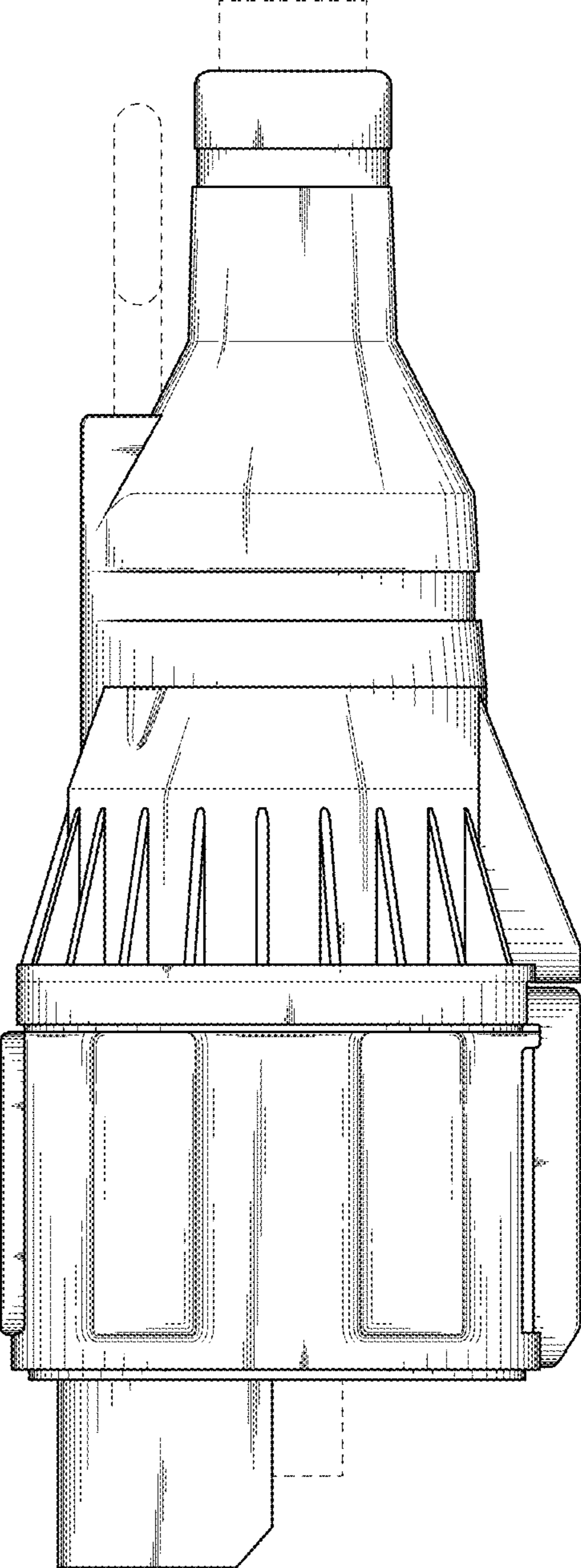


FIG. 3

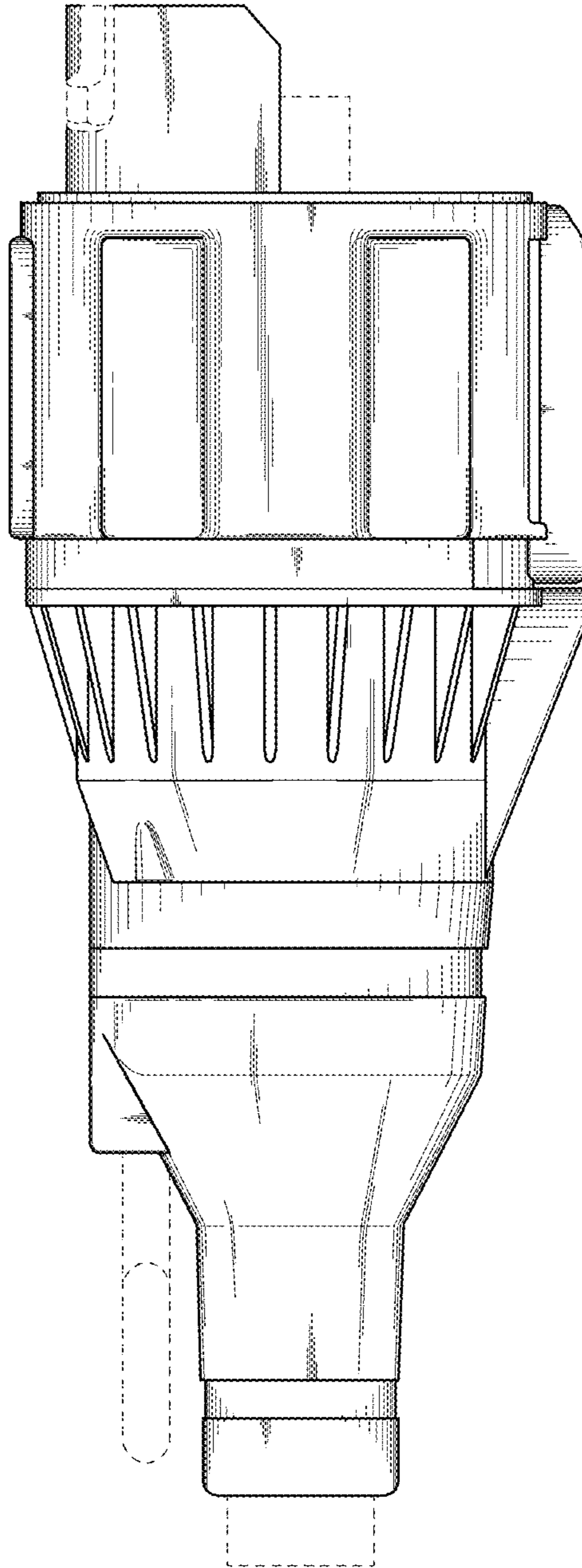


FIG. 4

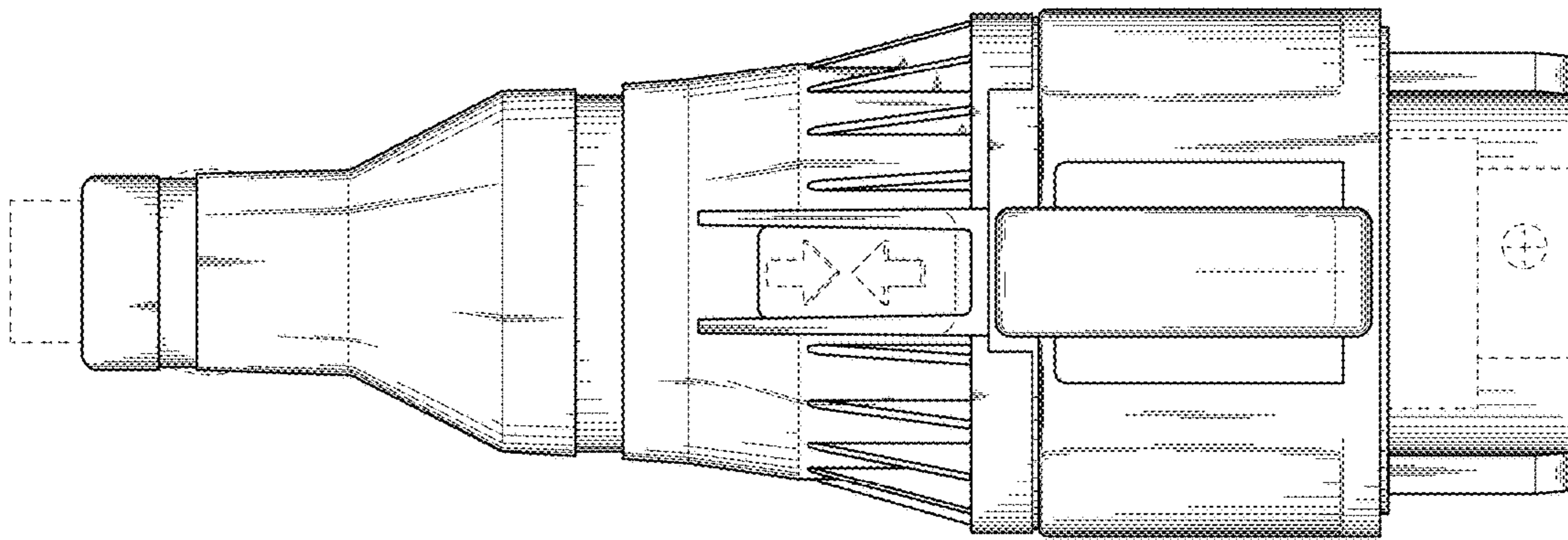


FIG. 5

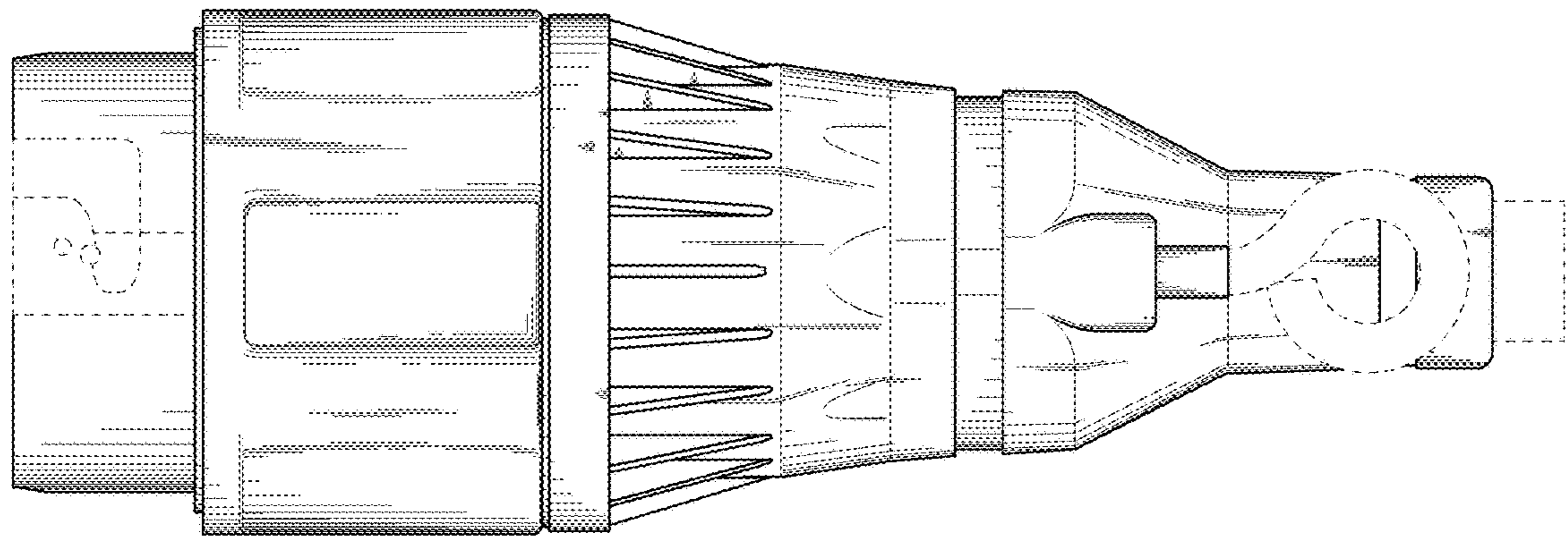


FIG. 6

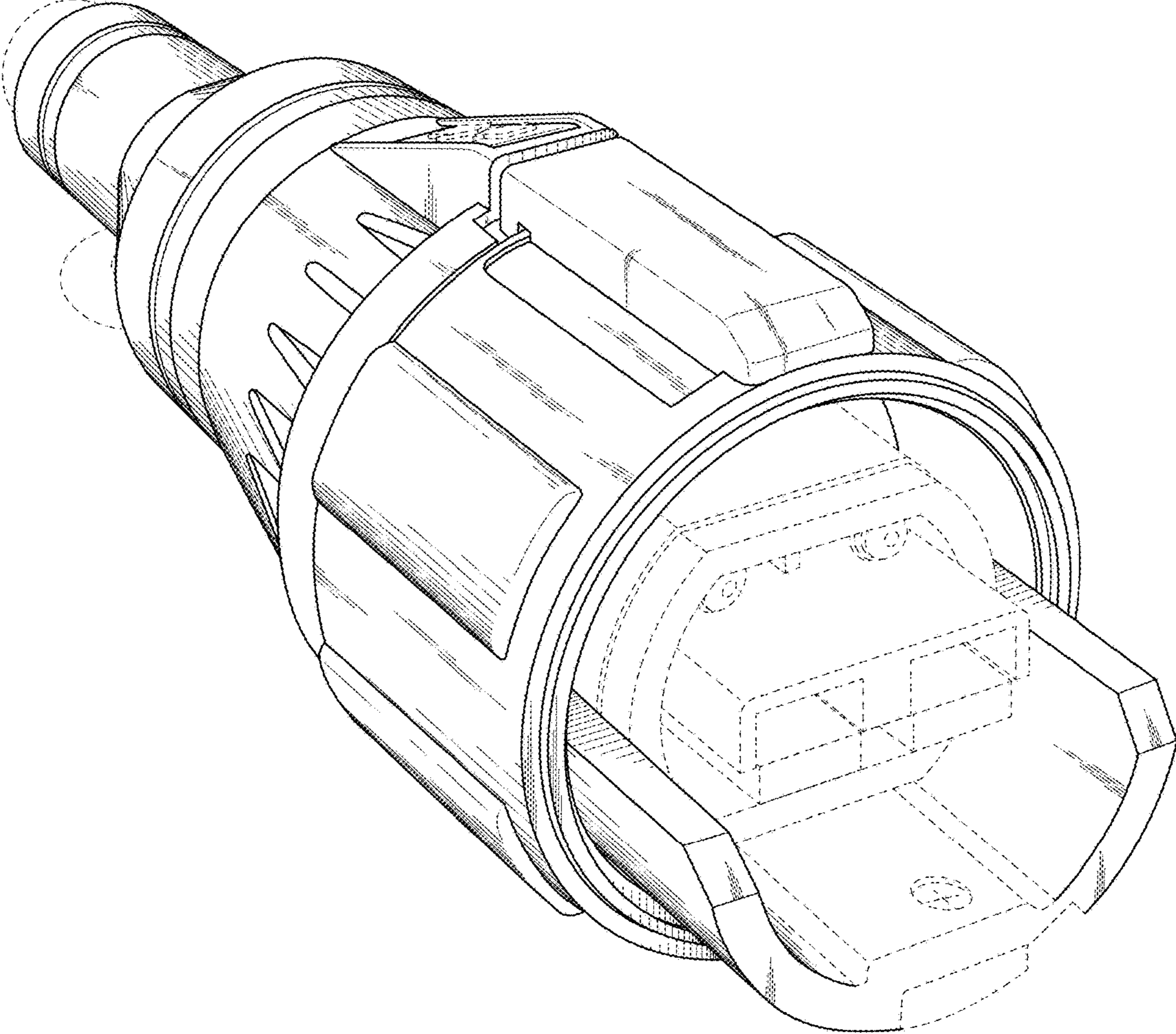


FIG. 7

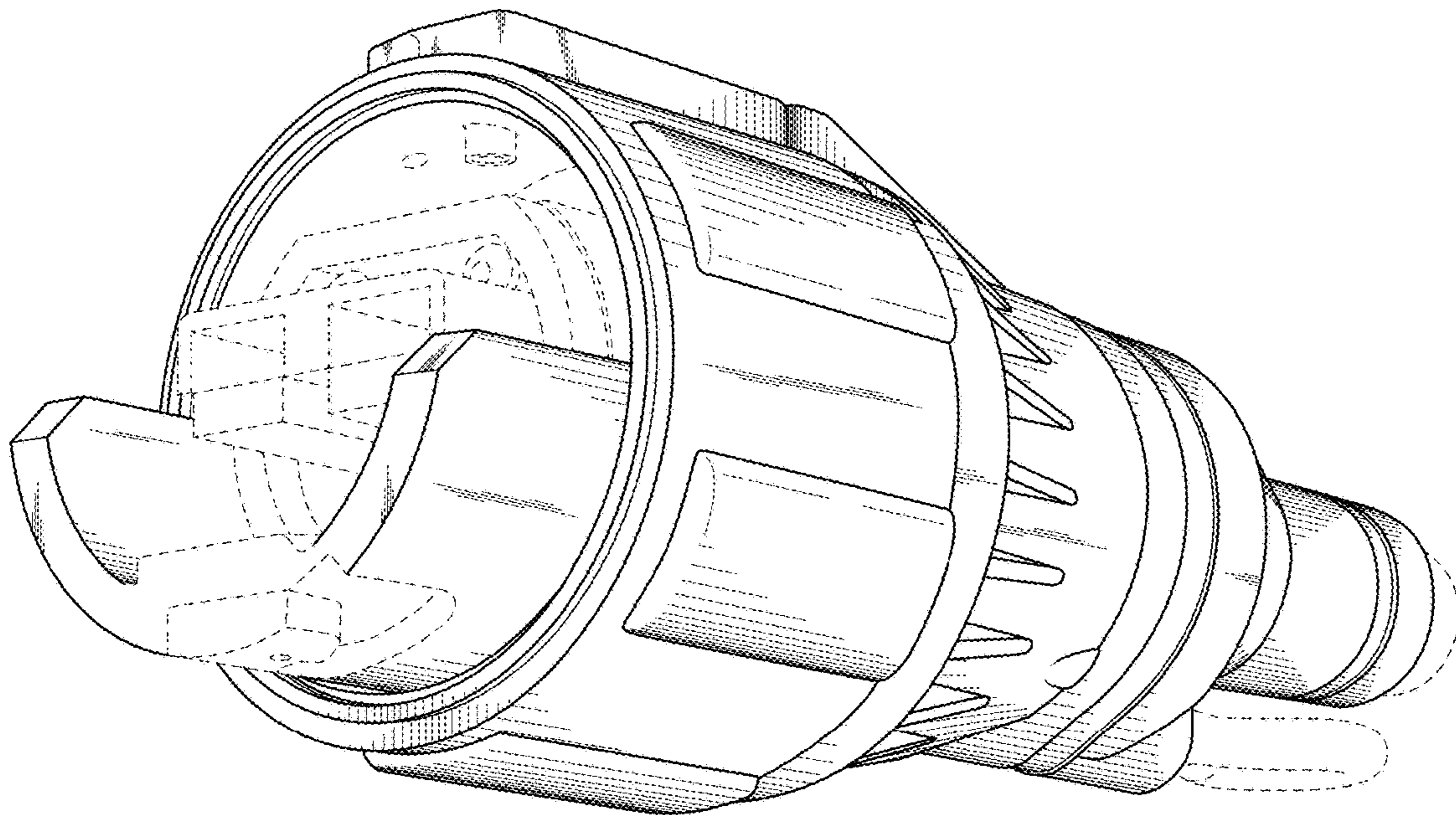


FIG. 8

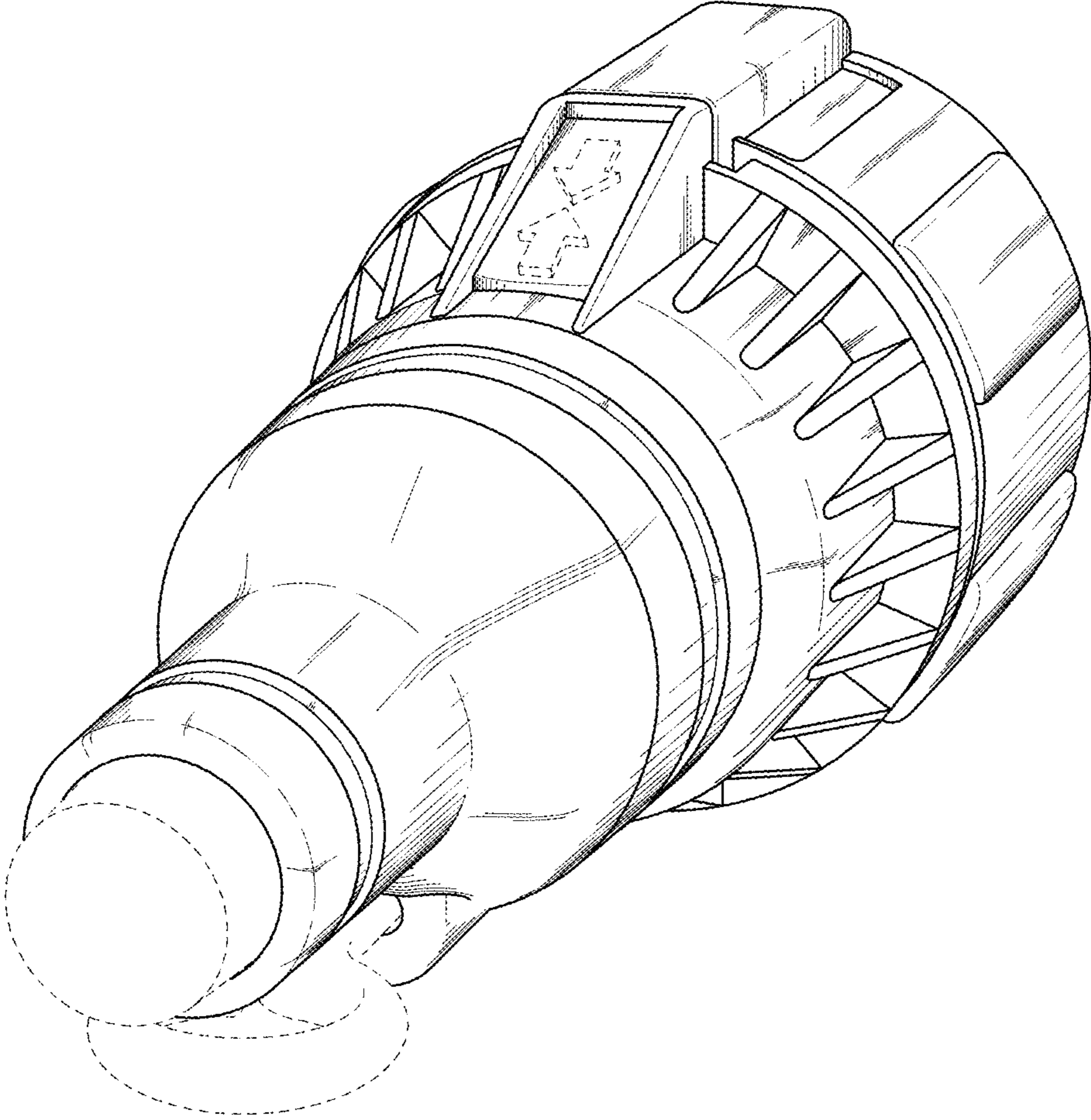


FIG. 9