



US00D820784S

(12) **United States Design Patent**  
**Imsand et al.**

(10) **Patent No.:** **US D820,784 S**

(45) **Date of Patent:** **\*\* Jun. 19, 2018**

(54) **AC ADAPTER**

(71) Applicant: **BLACK & DECKER INC.**, New Britain, CT (US)

(72) Inventors: **Nicholas Imsand**, Baltimore, MD (US);  
**Micah Harrison**, Abingdon, MD (US)

(73) Assignee: **Black & Decker Inc.**, New Britain, CT (US)

(\*\*) Term: **15 Years**

(21) Appl. No.: **29/571,073**

(22) Filed: **Jul. 14, 2016**

(51) **LOC (11) Cl.** ..... **13-02**

(52) **U.S. Cl.**  
USPC ..... **D13/110**

(58) **Field of Classification Search**  
USPC ..... D13/108, 110, 123, 133, 137.1–137.4,  
D13/138.1–138.2, 139.1–139.8, 152–154,  
D13/156, 158, 177, 146, 147;  
D8/350–353, 331; D14/433  
CPC ..... H01R 11/00; H01R 9/00; H01R 25/00;  
H01R 25/006  
See application file for complete search history.

(56) **References Cited**

**U.S. PATENT DOCUMENTS**

D411,523 S \* 6/1999 Talesfore ..... D13/146  
D472,555 S \* 4/2003 Tomino ..... D13/133  
D548,695 S \* 8/2007 Krieger ..... D13/110  
D571,372 S \* 6/2008 Brefka ..... D14/433

D655,245 S \* 3/2012 Itoh ..... D13/110  
D701,490 S \* 3/2014 Inskeep ..... D13/110  
D705,729 S \* 5/2014 Inskeep ..... D13/110  
D752,590 S \* 3/2016 Bragg ..... D14/433

\* cited by examiner

*Primary Examiner* — Rosemary K Tarcza

*Assistant Examiner* — Christy Nemeth

(74) *Attorney, Agent, or Firm* — Michael Aronoff

(57) **CLAIM**

The ornamental design for an AC adapter, as shown and described herein.

**DESCRIPTION**

FIG. 1 is a top, front, left side perspective view top of an AC adapter of our design.

FIG. 2 is a left side view of the AC adapter of FIG. 1.

FIG. 3 is a right side view of the AC adapter of FIG. 1.

FIG. 4 is a front view of the AC adapter of FIG. 1.

FIG. 5 is a back view of the AC adapter of FIG. 1.

FIG. 6 is a top view of the AC adapter of FIG. 1.

FIG. 7 is a bottom view of the AC adapter of FIG. 1.

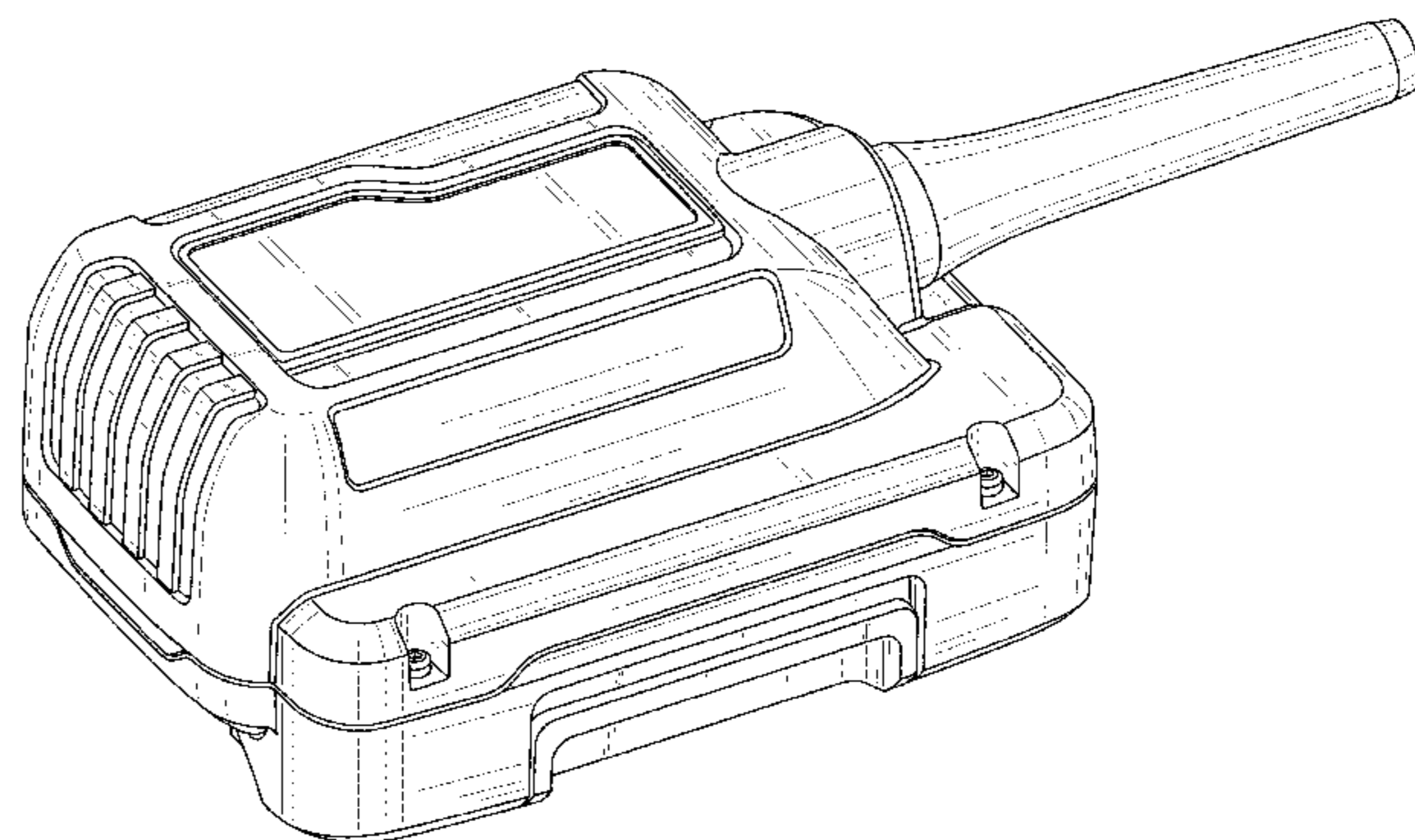
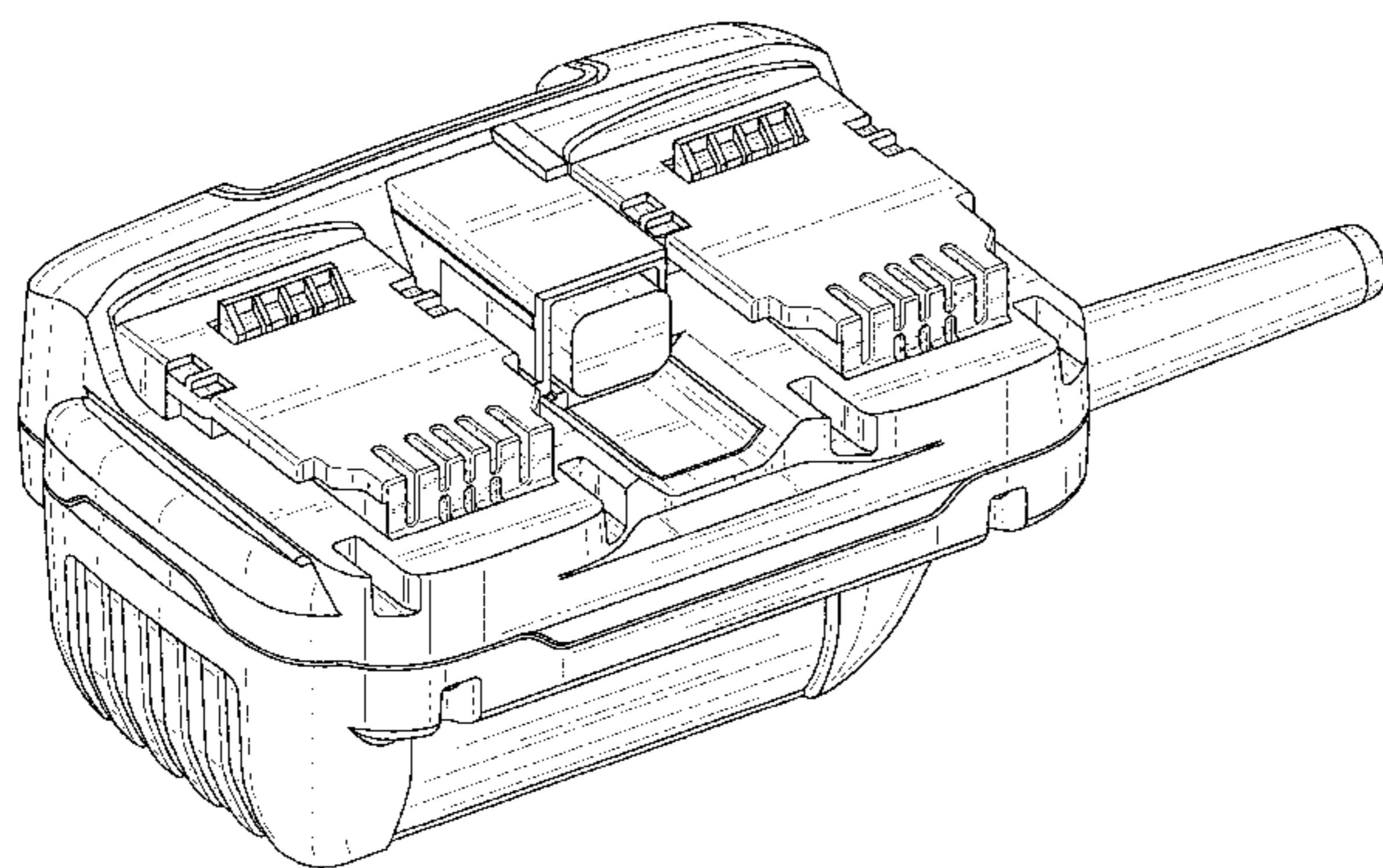
FIG. 8 is a top, back, right side perspective view of the AC adapter of FIG. 1.

FIG. 9 is a bottom, front, right side perspective view of the AC adapter of FIG. 1; and,

FIG. 10 is a bottom, back, left side perspective view of the AC adapter of FIG. 1.

The broken lines in the drawings are for the purpose of illustrating portions of the AC adapter that form no part of the claimed design.

**1 Claim, 10 Drawing Sheets**



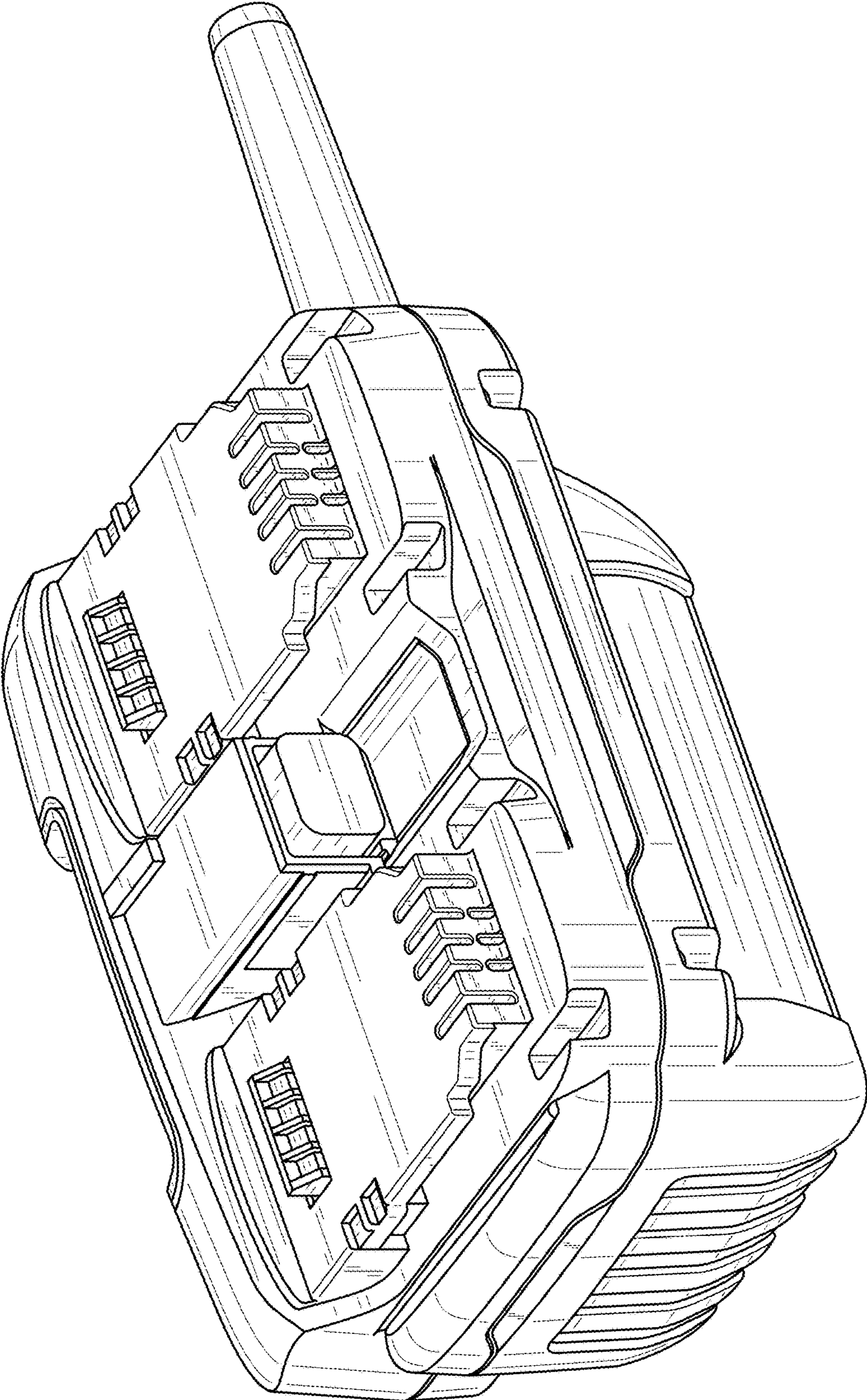


FIG. 1

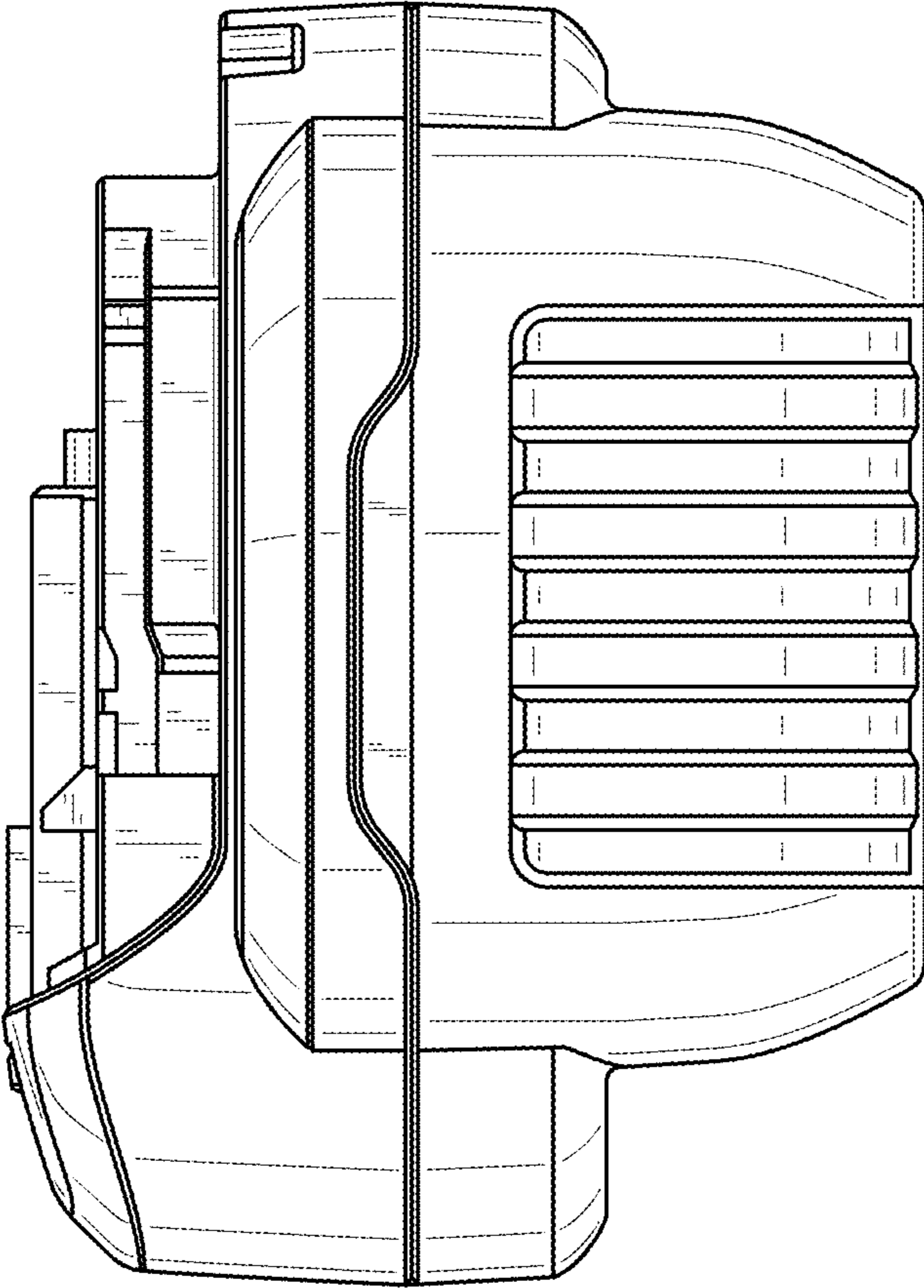


FIG. 2

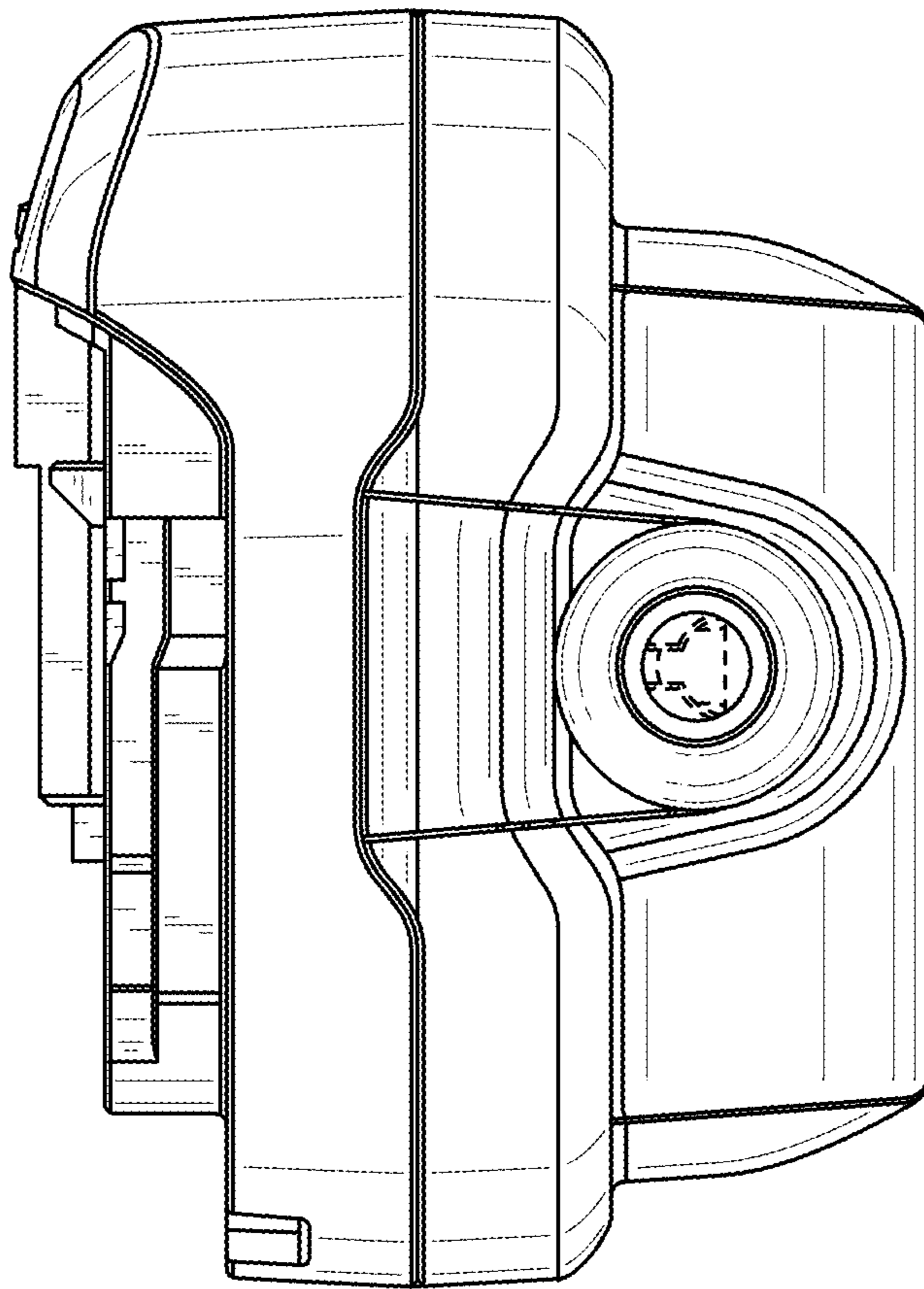


FIG. 3

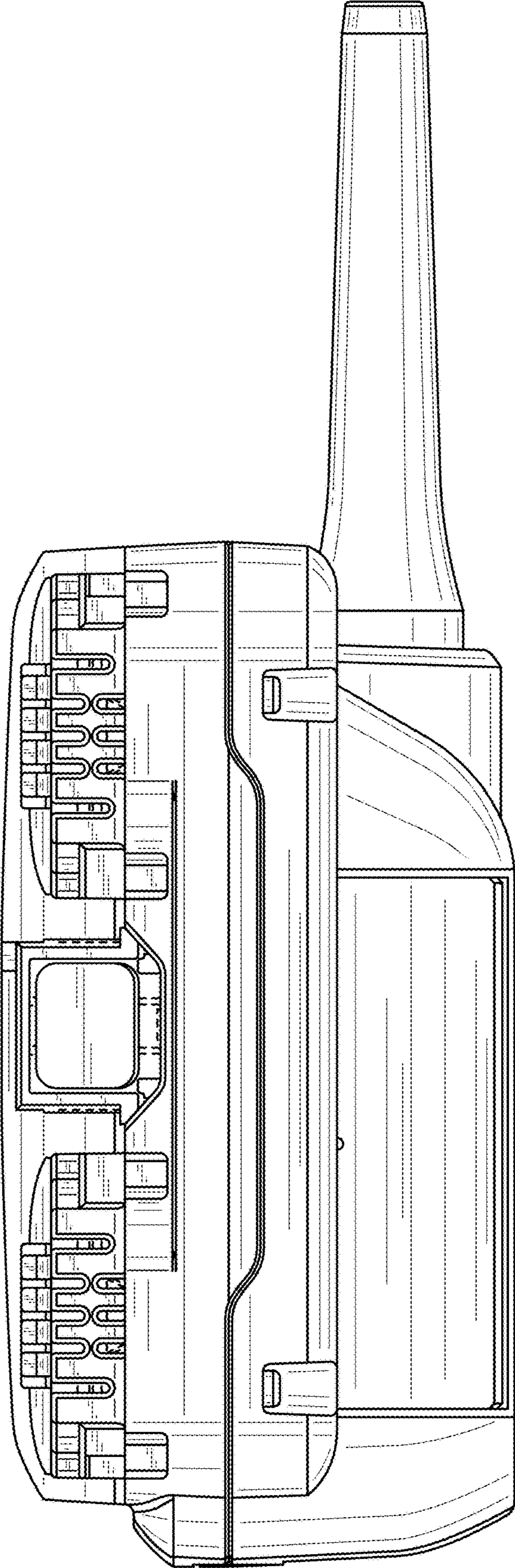


FIG. 4

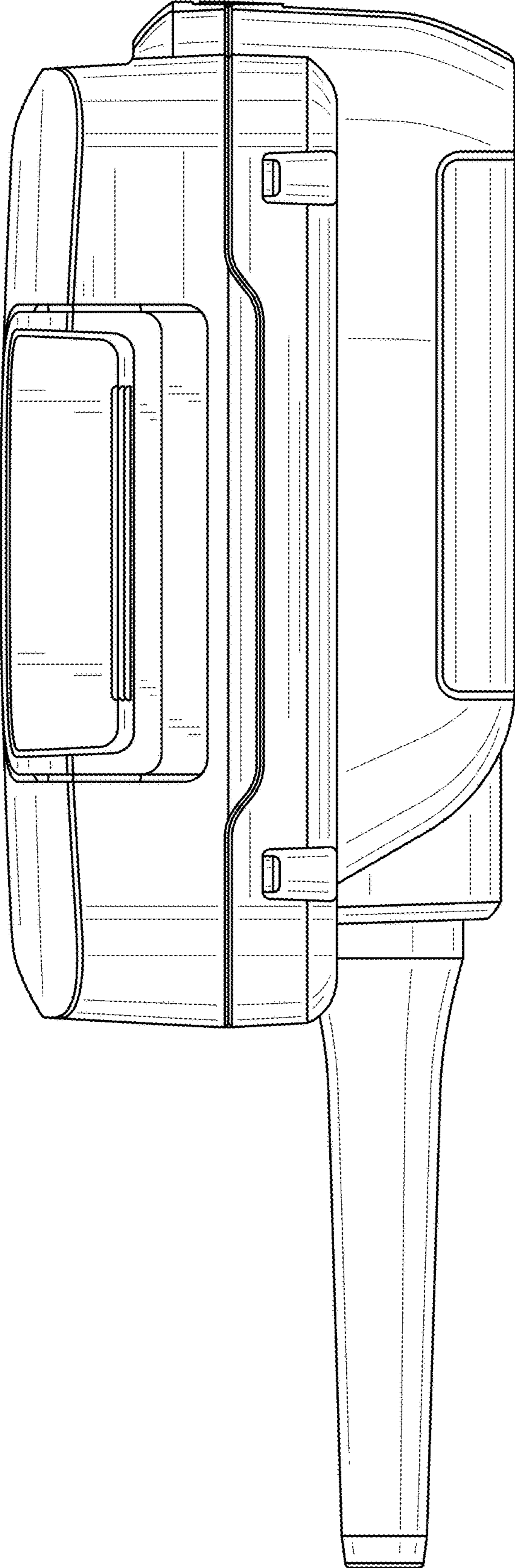


FIG. 5

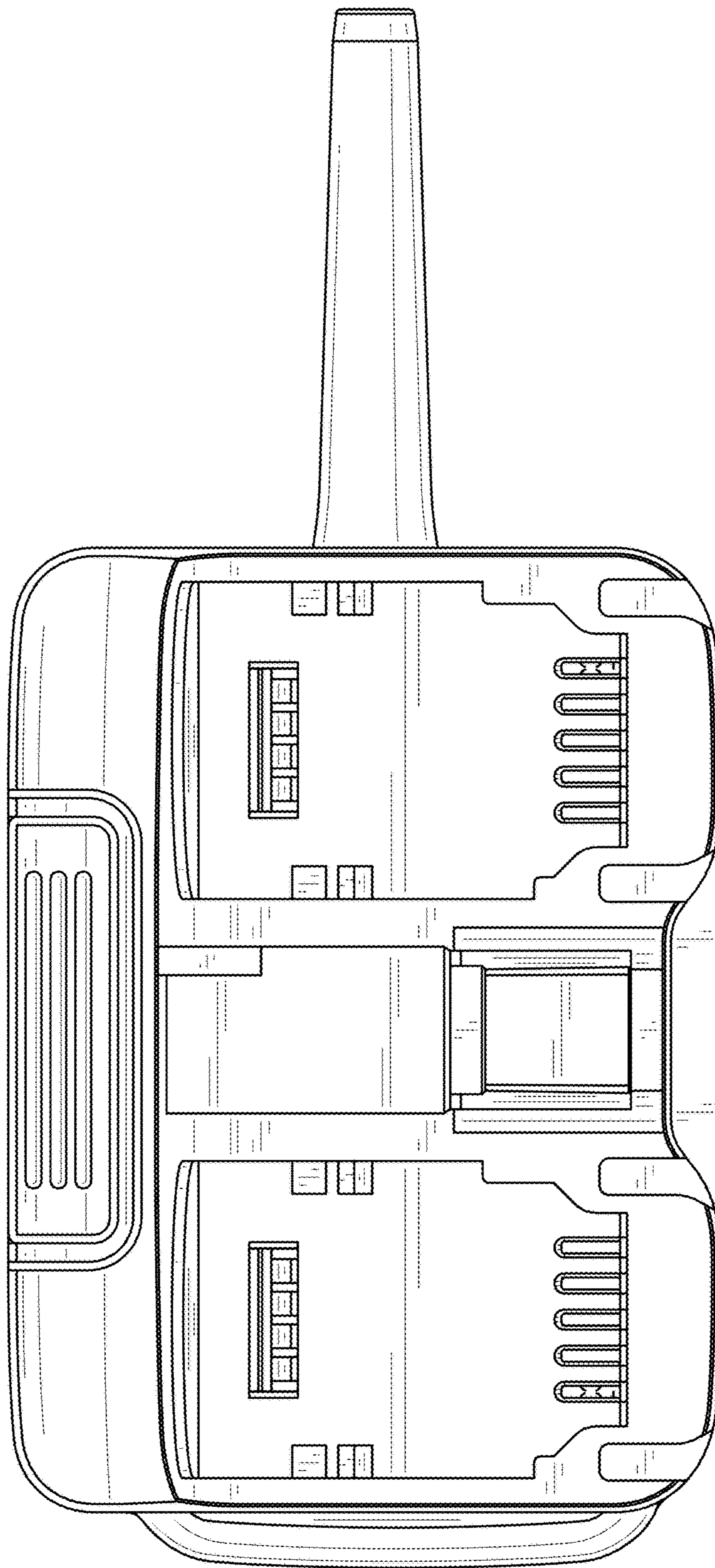


FIG. 6

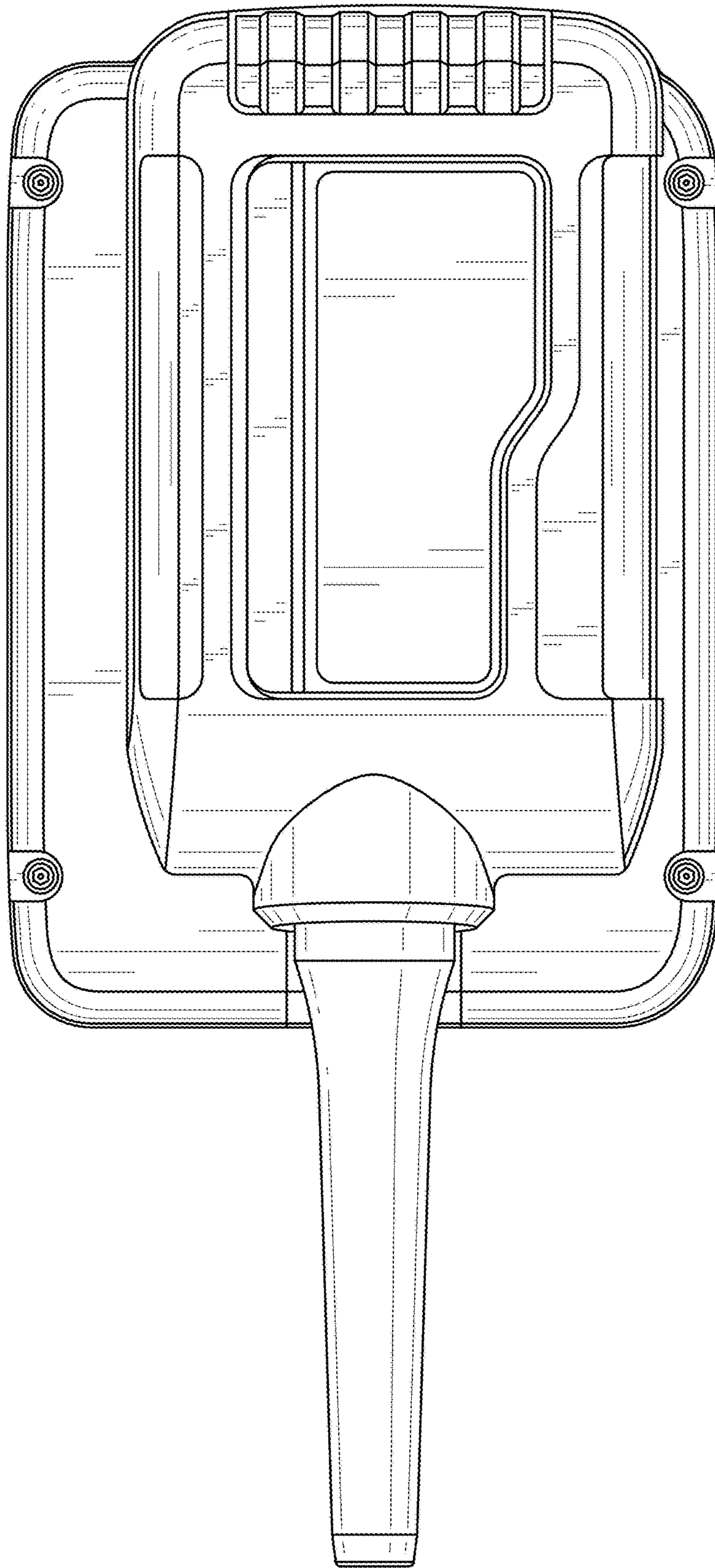


FIG. 7



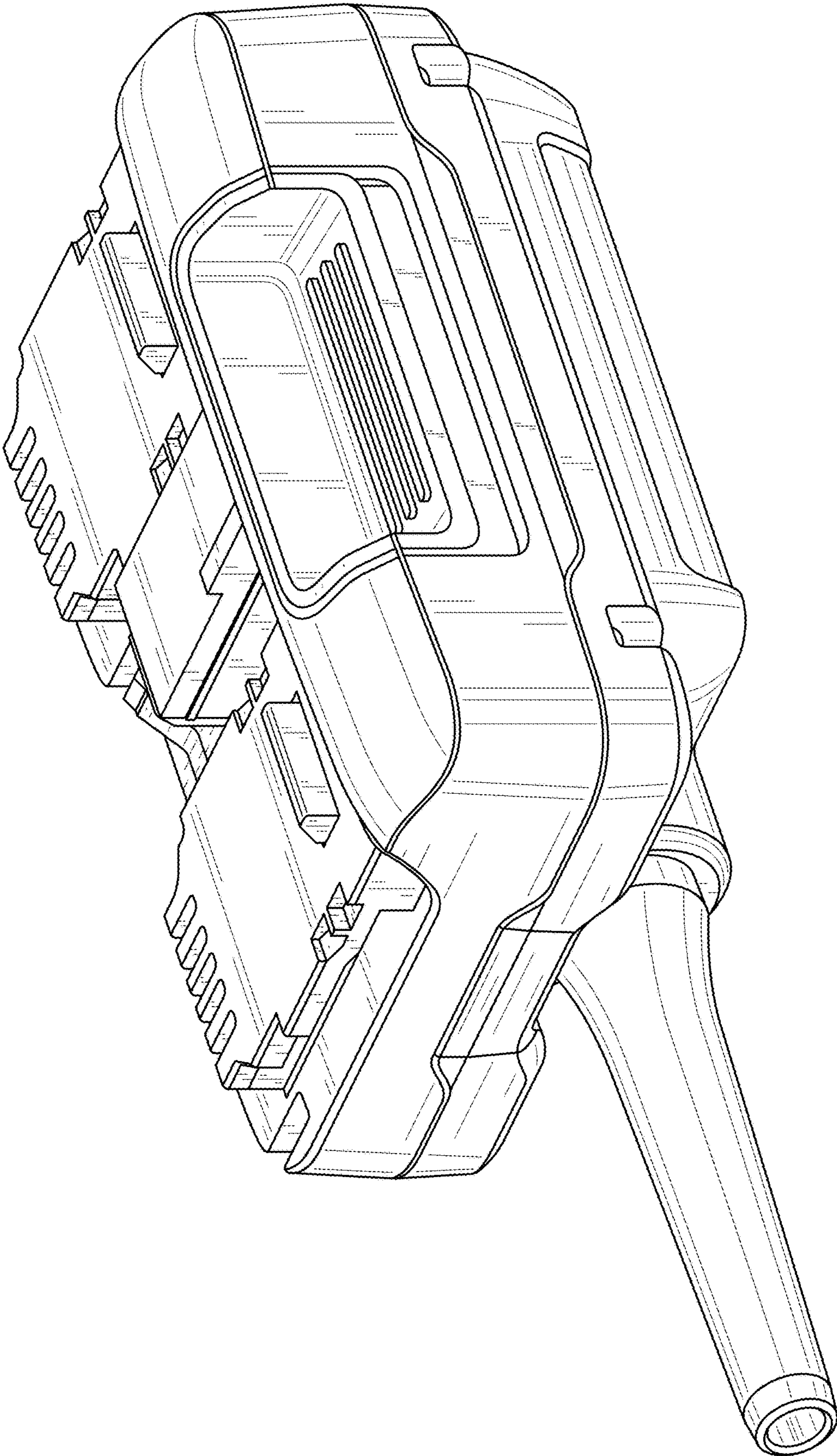


FIG. 8

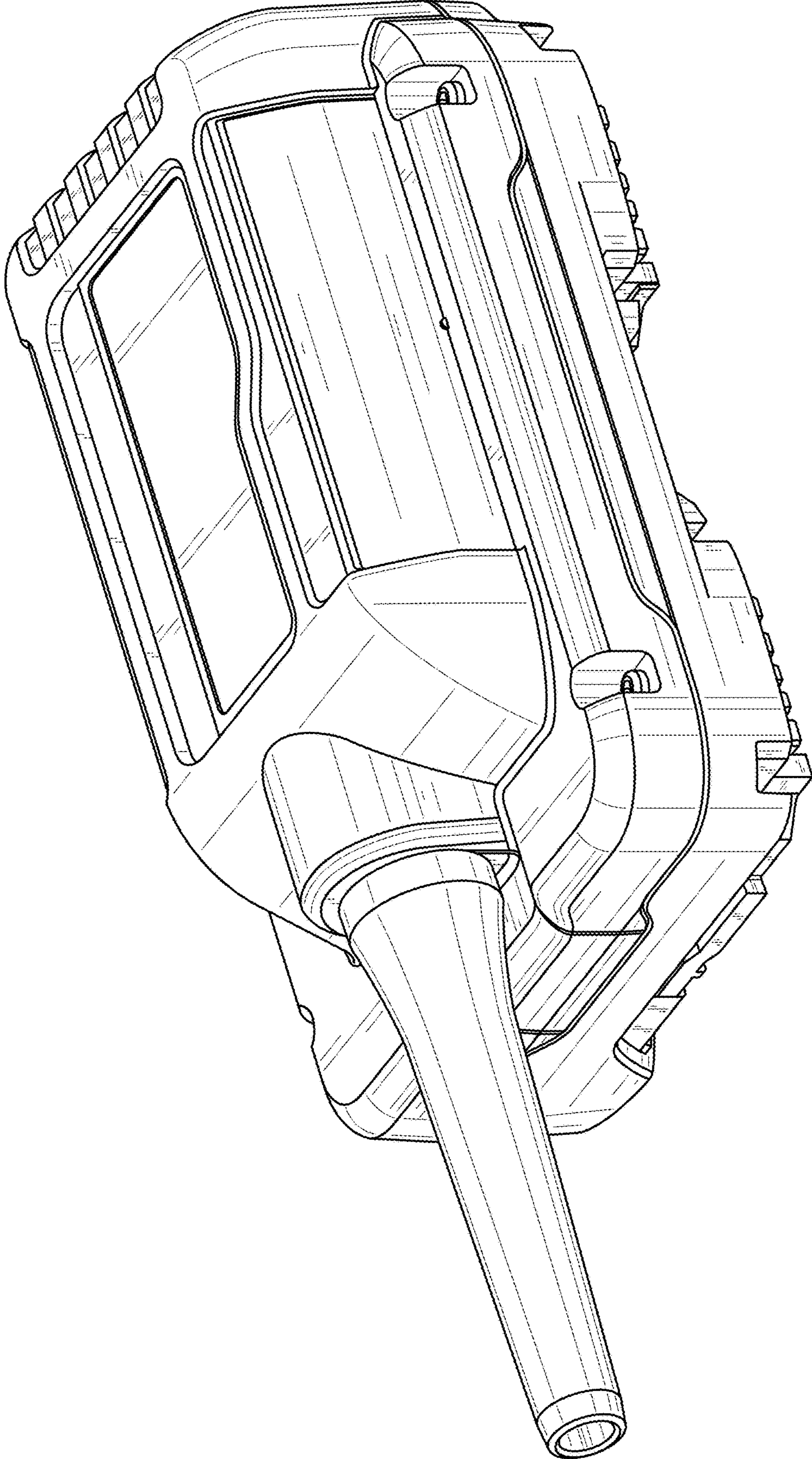


FIG. 9

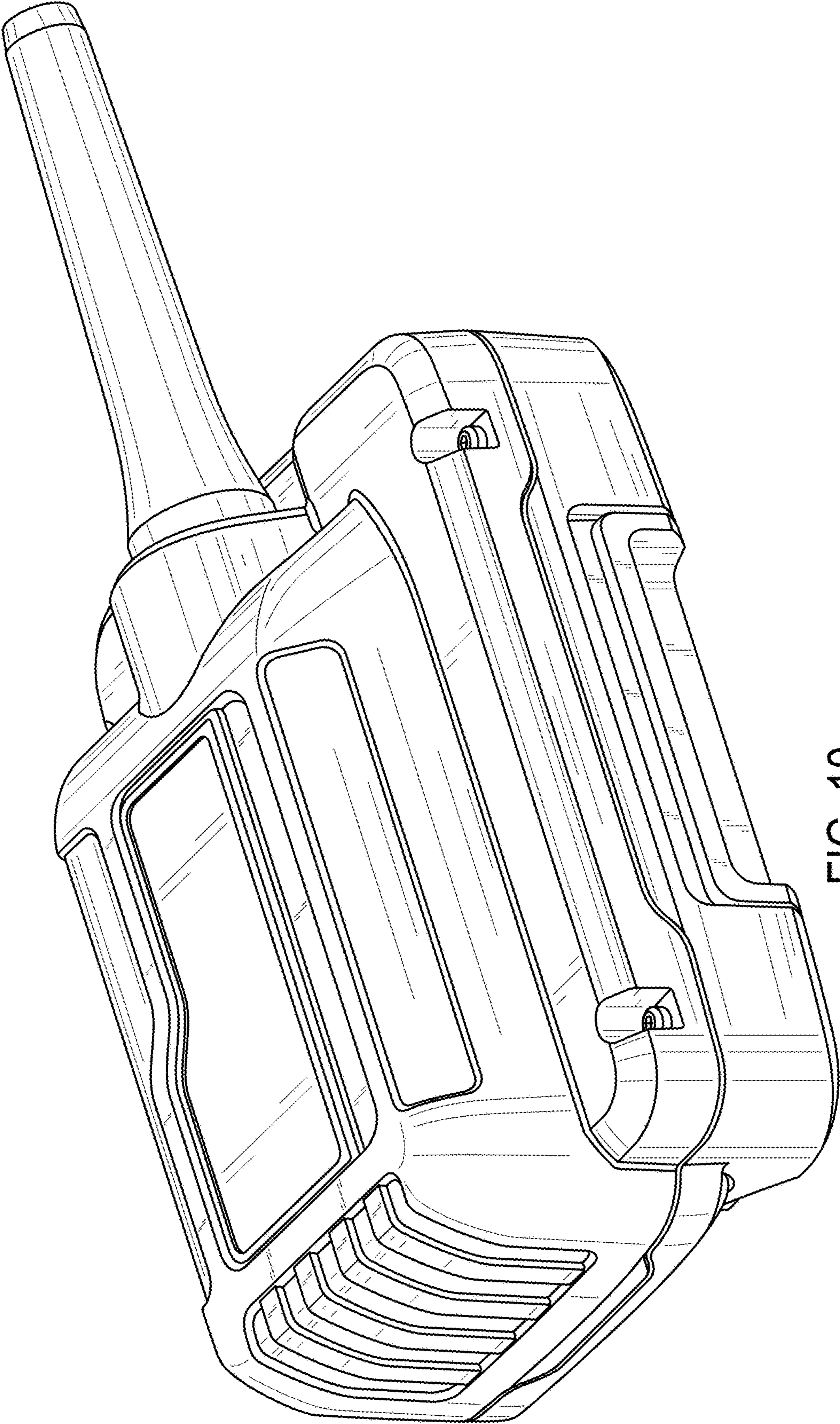


FIG. 10