



US00D820781S

(12) **United States Design Patent**  
**Wolff**

(10) **Patent No.:** **US D820,781 S**

(45) **Date of Patent:** **\*\* Jun. 19, 2018**

(54) **HOUSING FOR A BATTERY**

(71) Applicant: **Robert Bosch GmbH**, Stuttgart (DE)

(72) Inventor: **Jochen Wolff**, Asperg (DE)

(73) Assignee: **Robert Bosch GmbH**, Stuttgart (DE)

(\*\*) Term: **15 Years**

(21) Appl. No.: **29/591,902**

(22) Filed: **Jan. 25, 2017**

(30) **Foreign Application Priority Data**

Jul. 26, 2016 (EM) ..... 003319813

(51) **LOC (11) Cl.** ..... **13-02**

(52) **U.S. Cl.**  
USPC ..... **D13/103**

(58) **Field of Classification Search**

USPC ..... D13/102, 103, 104, 105, 106, 107, 108,  
D13/109, 110, 118, 119, 184, 199;  
D14/203.3–203.8, 217, 248, 250–253,  
D14/432, 434, 440, 450, 496; D3/201,  
D3/218, 269, 301, 273, 303  
CPC ..... H02J 2001/008; H02J 3/32; H02J 3/008;  
H02J 7/0027; H02J 7/0013; H02J 7/0054;  
H02J 7/00; H02J 7/025; H02J 7/0042;  
H02J 7/0044; H02J 7/0045; H02J 7/0003;  
H02J 7/0055; H02J 7/0057; B60R 16/03;  
B60L 11/1809; B60L 11/1861; B60L  
11/182; H01R 13/6675; H01R 13/70;  
H01R 13/71;

(Continued)

(56) **References Cited**

**U.S. PATENT DOCUMENTS**

D332,443 S \* 1/1993 Sharpe ..... D13/184  
D439,877 S \* 4/2001 Vacheron ..... D13/103  
D742,307 S \* 11/2015 DeKeuster ..... D13/103

(Continued)

*Primary Examiner* — Rosemary K Tarcza

*Assistant Examiner* — Christy M Nemeth

(74) *Attorney, Agent, or Firm* — Maginot, Moore & Beck  
LLP

(57) **CLAIM**

The ornamental design for a housing for a battery, as shown  
and described.

**DESCRIPTION**

FIG. 1 is a perspective view of a first embodiment of a  
housing for a battery showing my new design;

FIG. 2 is a front elevational view of the housing for a battery  
of FIG. 1;

FIG. 3 is a rear elevational view of the housing for a battery  
of FIG. 1;

FIG. 4 is a left side elevational view of the housing for a  
battery of FIG. 1;

FIG. 5 is a right side elevational view of the housing for a  
battery of FIG. 1;

FIG. 6 is a top plan view of the housing for a battery of FIG.  
1; and

FIG. 7 is a bottom plan view of the housing for a battery of  
FIG. 1.

FIG. 8 is a perspective view of a second embodiment of a  
housing for a battery showing my new design;

FIG. 9 is a front elevational view of the housing for a battery  
of FIG. 8;

FIG. 10 is a rear elevational view of the housing for a battery  
of FIG. 8;

FIG. 11 is a left side elevational view of the housing for a  
battery of FIG. 8;

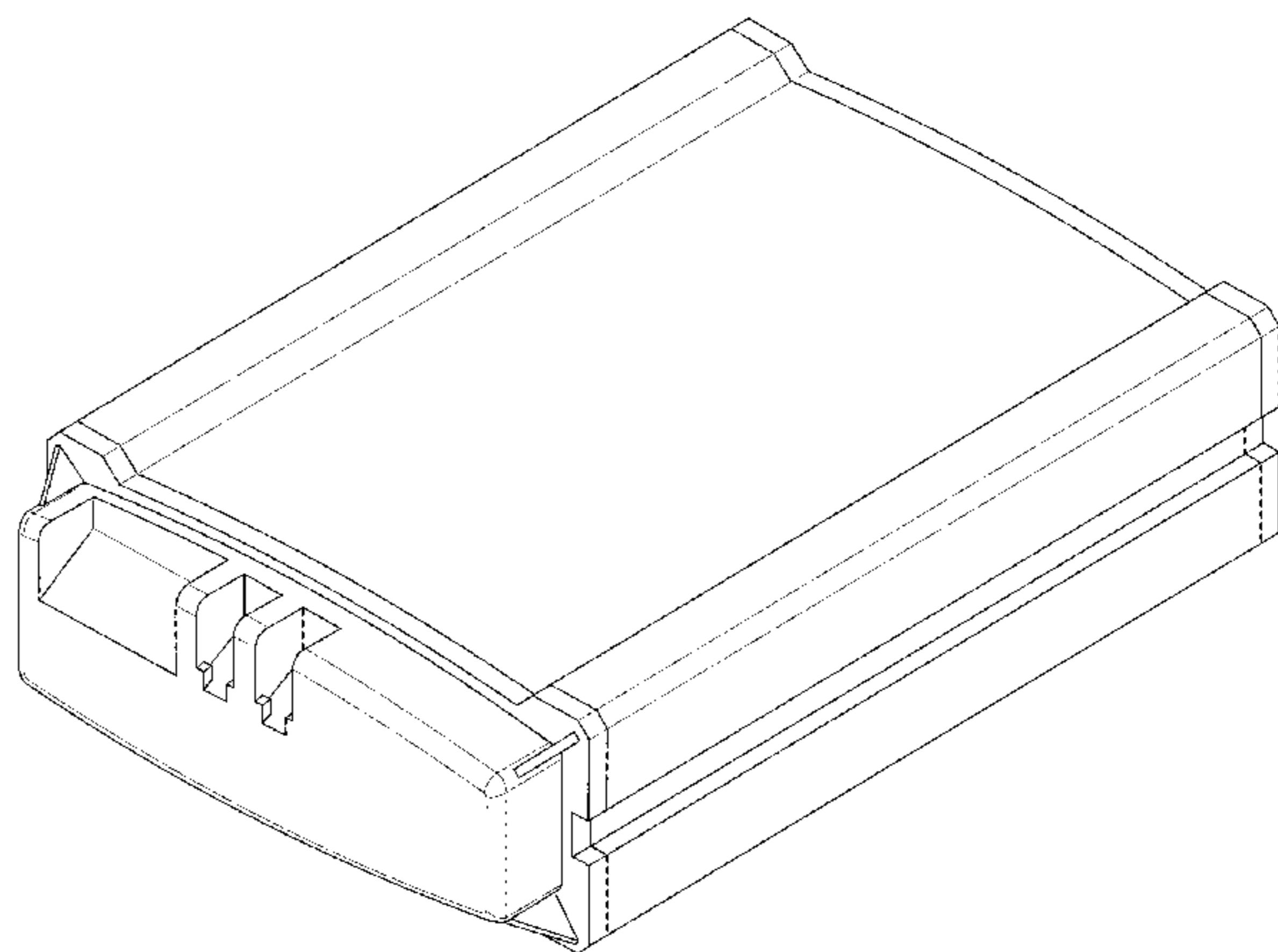
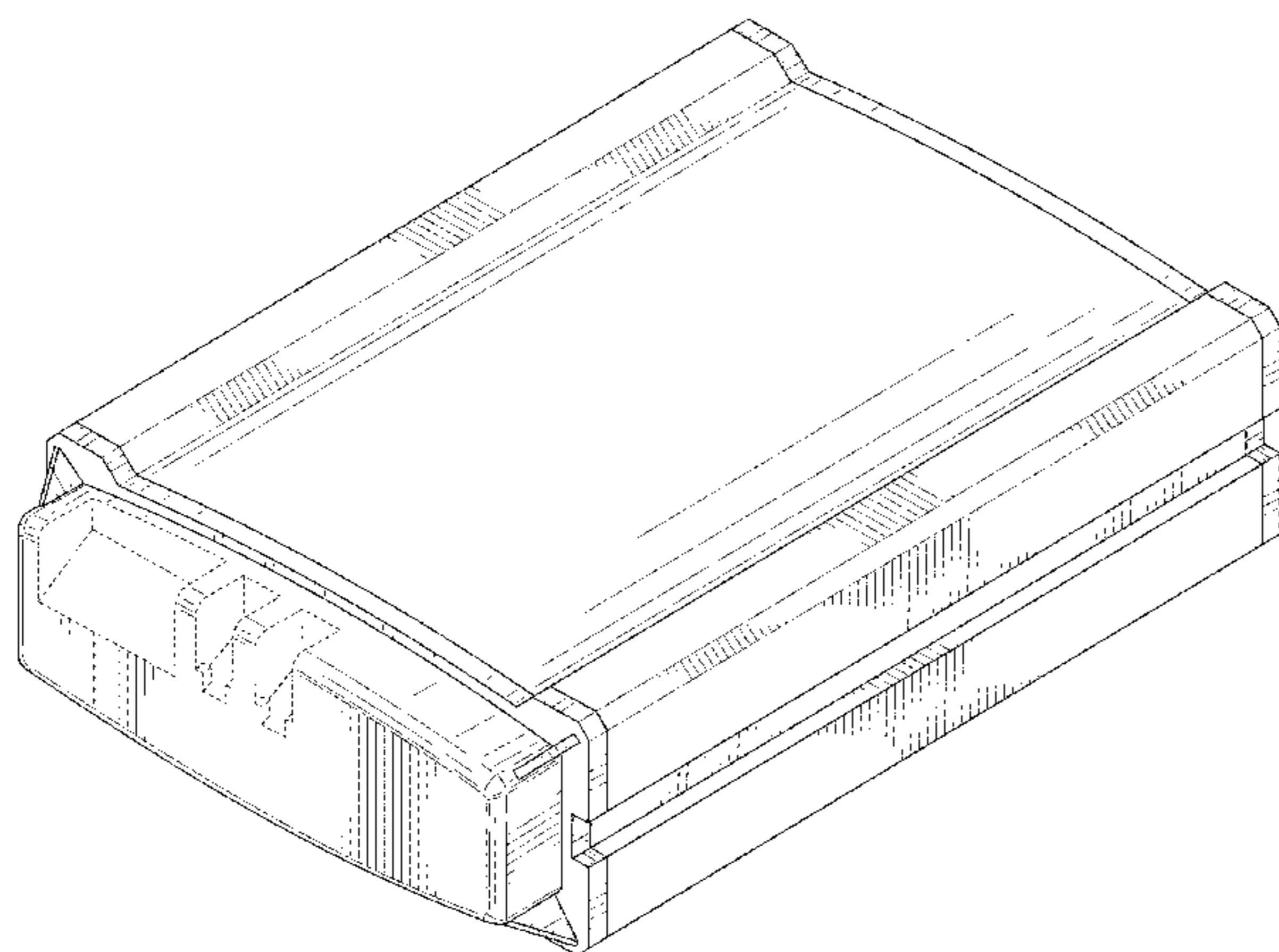
FIG. 12 is a right side elevational view of the housing for a  
battery of FIG. 8;

FIG. 13 is a top plan view of the housing for a battery of  
FIG. 8; and,

FIG. 14 is a bottom plan view of the housing for a battery  
of FIG. 8.

The broken lines shown in the drawings illustrate portions of  
the housing for a battery that form no part of the claimed  
design.

**1 Claim, 12 Drawing Sheets**



(58) **Field of Classification Search**

CPC . H01R 13/66; H01R 2201/26; H01M 2/1022;  
H01M 2/1055; H01M 10/44; H01M  
10/46; H01M 10/425; H01M 2/02; H01M  
2/022; H01M 2/0202; H01M 2/0207;  
H01M 2/0212; H01M 10/4257; H01M  
10/0436; H01M 10/48; H01M 2200/30;  
H01M 2250/30; H01M 2250/40; H01F  
38/14; Y02E 60/12; Y02E 60/122; Y02E  
60/124; Y02E 60/50; Y02T 90/14; Y02T  
90/122; Y02T 90/128; Y02T 90/163;  
H05K 11/02

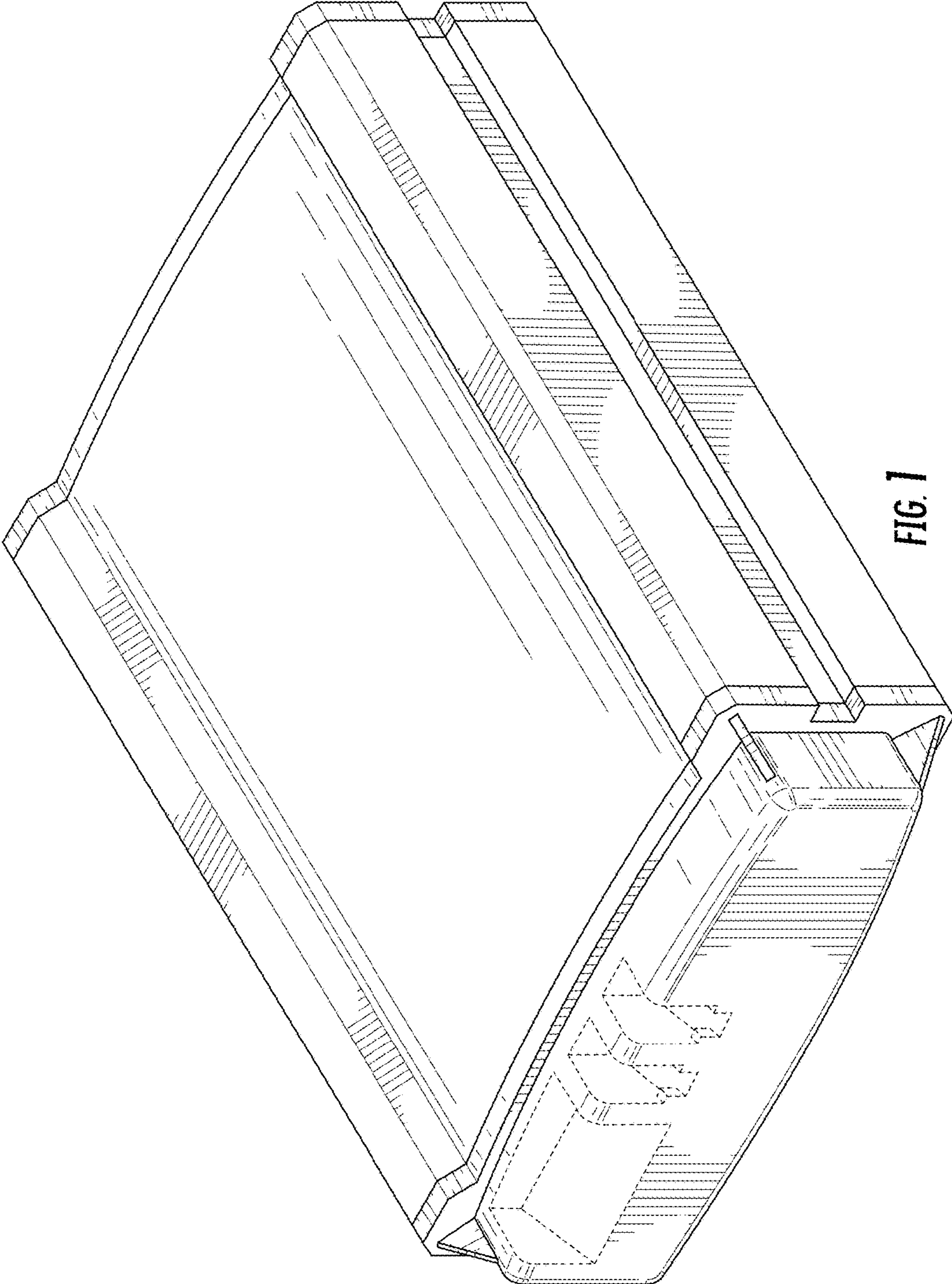
See application file for complete search history.

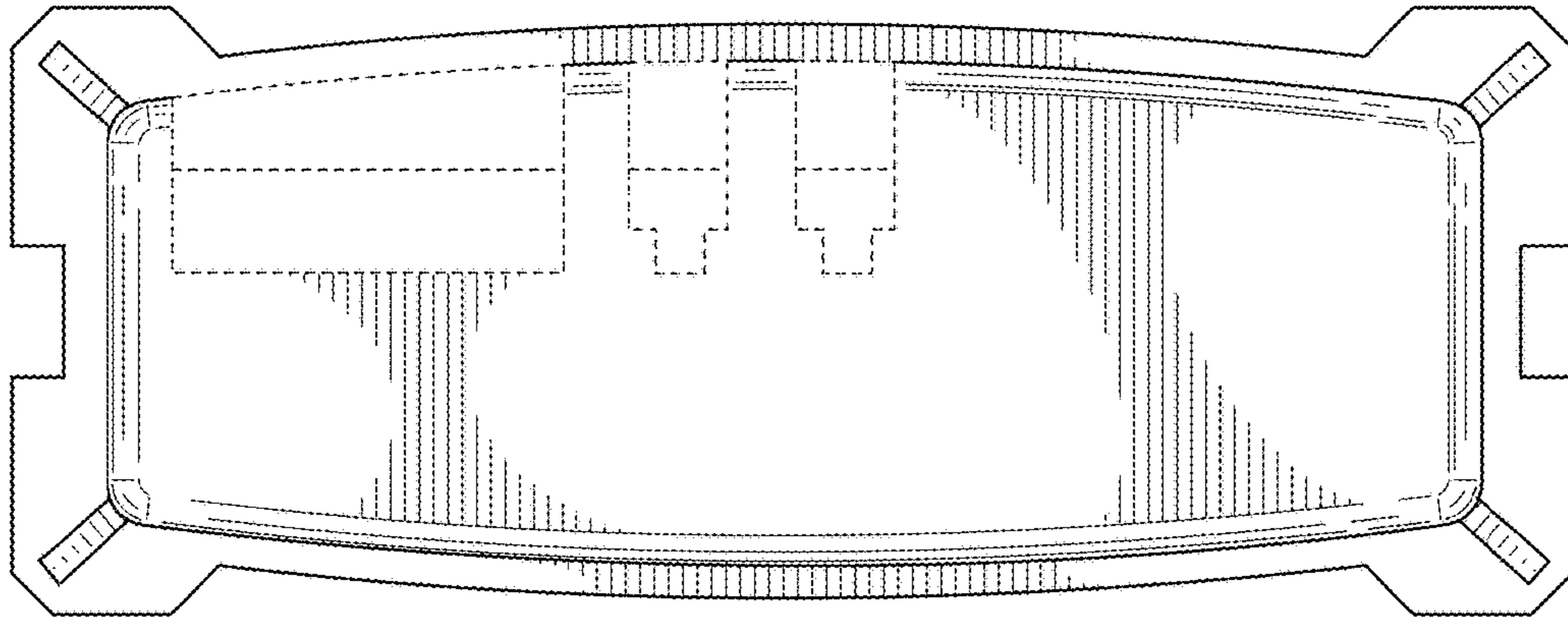
(56) **References Cited**

U.S. PATENT DOCUMENTS

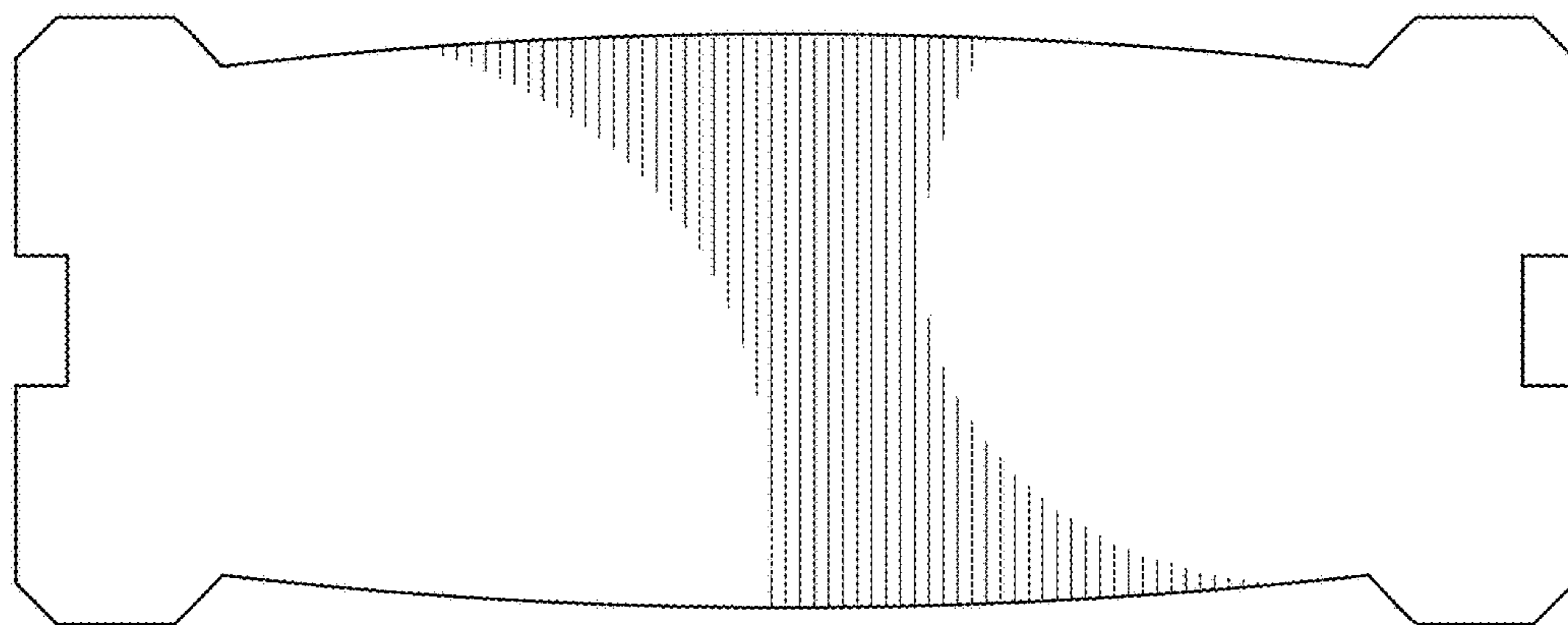
D749,512 S *	2/2016	Yonishi .....	D13/119
D762,565 S *	8/2016	Akana .....	D13/103
D780,112 S *	2/2017	Lin .....	D13/103
D784,258 S *	4/2017	Vienna .....	D13/108
D795,801 S *	8/2017	Fletcher .....	D13/103
2006/0099491 A1 *	5/2006	Jeon .....	H01M 2/1241 429/53
2006/0099492 A1 *	5/2006	Jeon .....	H01M 2/0404 429/61
2006/0103242 A1 *	5/2006	Lin .....	H02J 9/062 307/66
2008/0280200 A1 *	11/2008	Takahashi .....	H01M 2/1061 429/179
2012/0068662 A1 *	3/2012	Durando .....	H02J 7/0042 320/105
2017/0229894 A1 *	8/2017	Durando .....	H02J 7/0054

\* cited by examiner





**FIG. 2**



**FIG. 3**

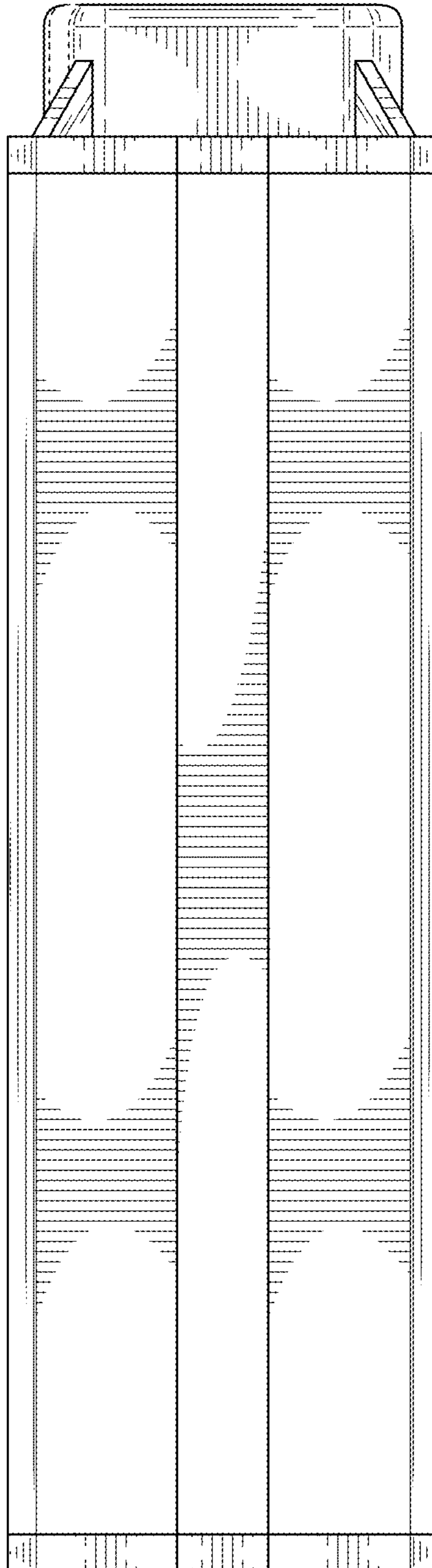


FIG. 4

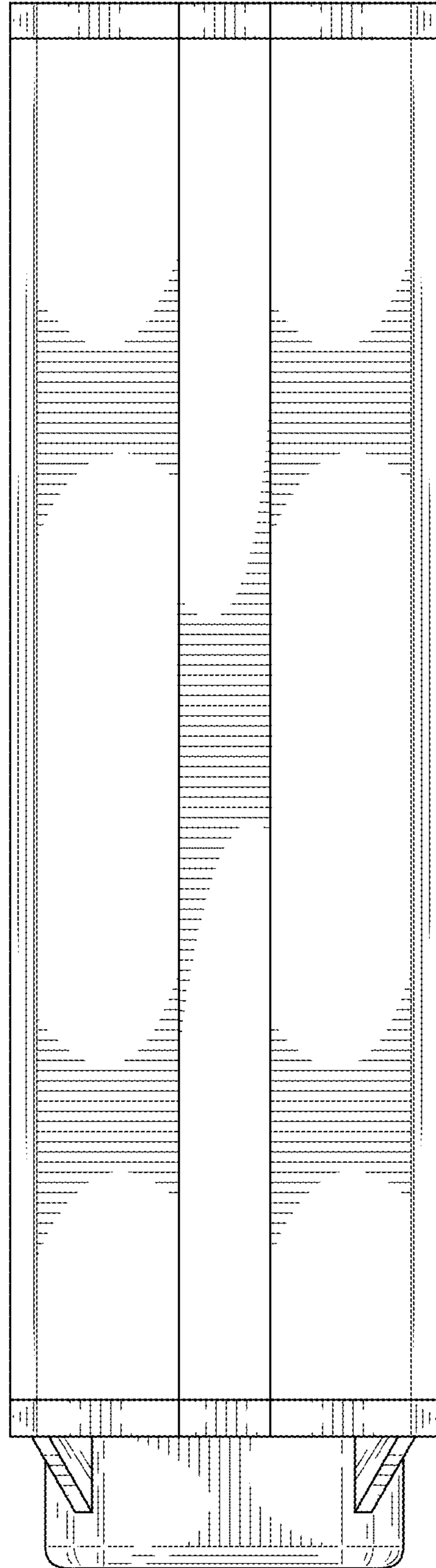


FIG. 5

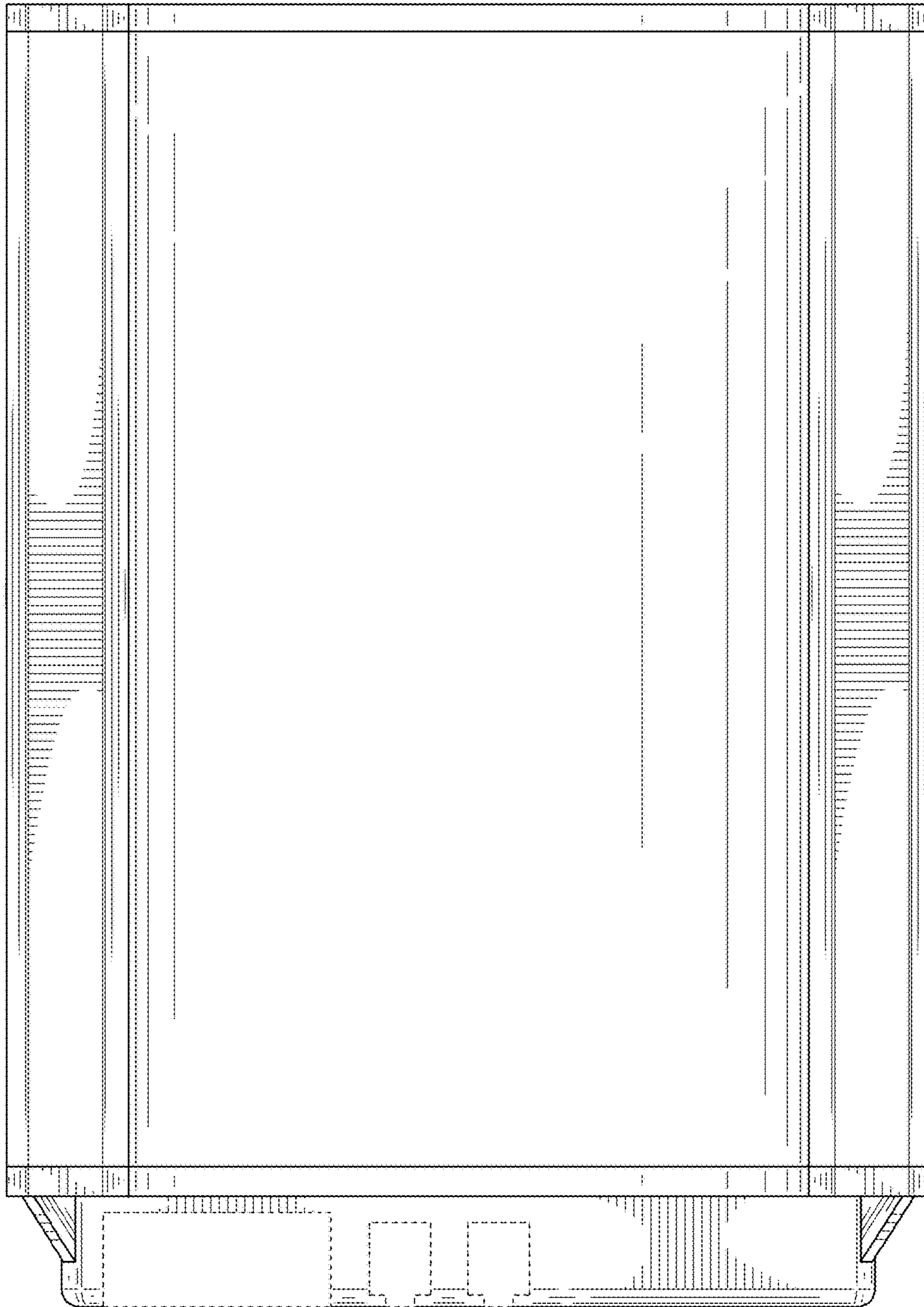


FIG. 6

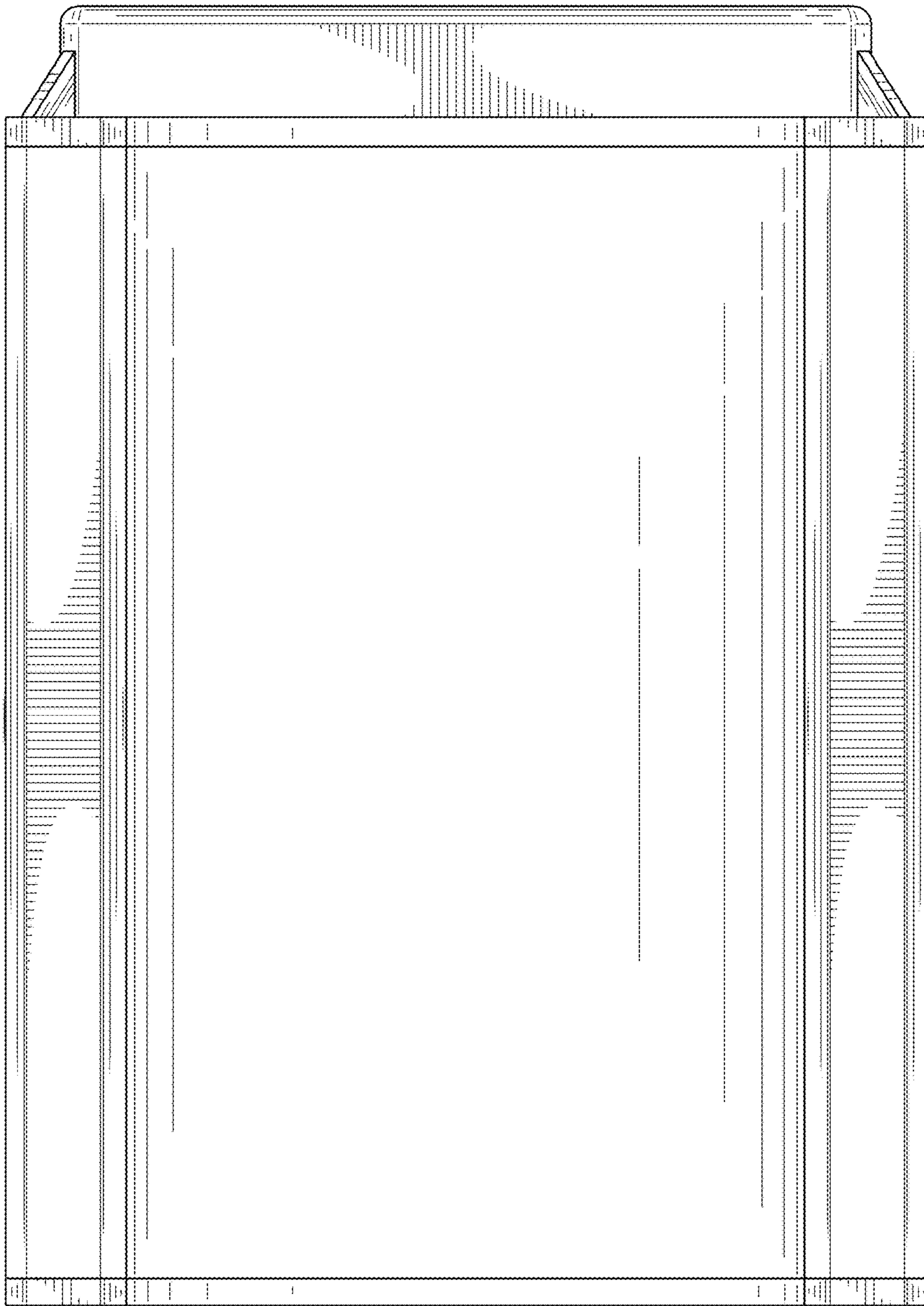


FIG. 7



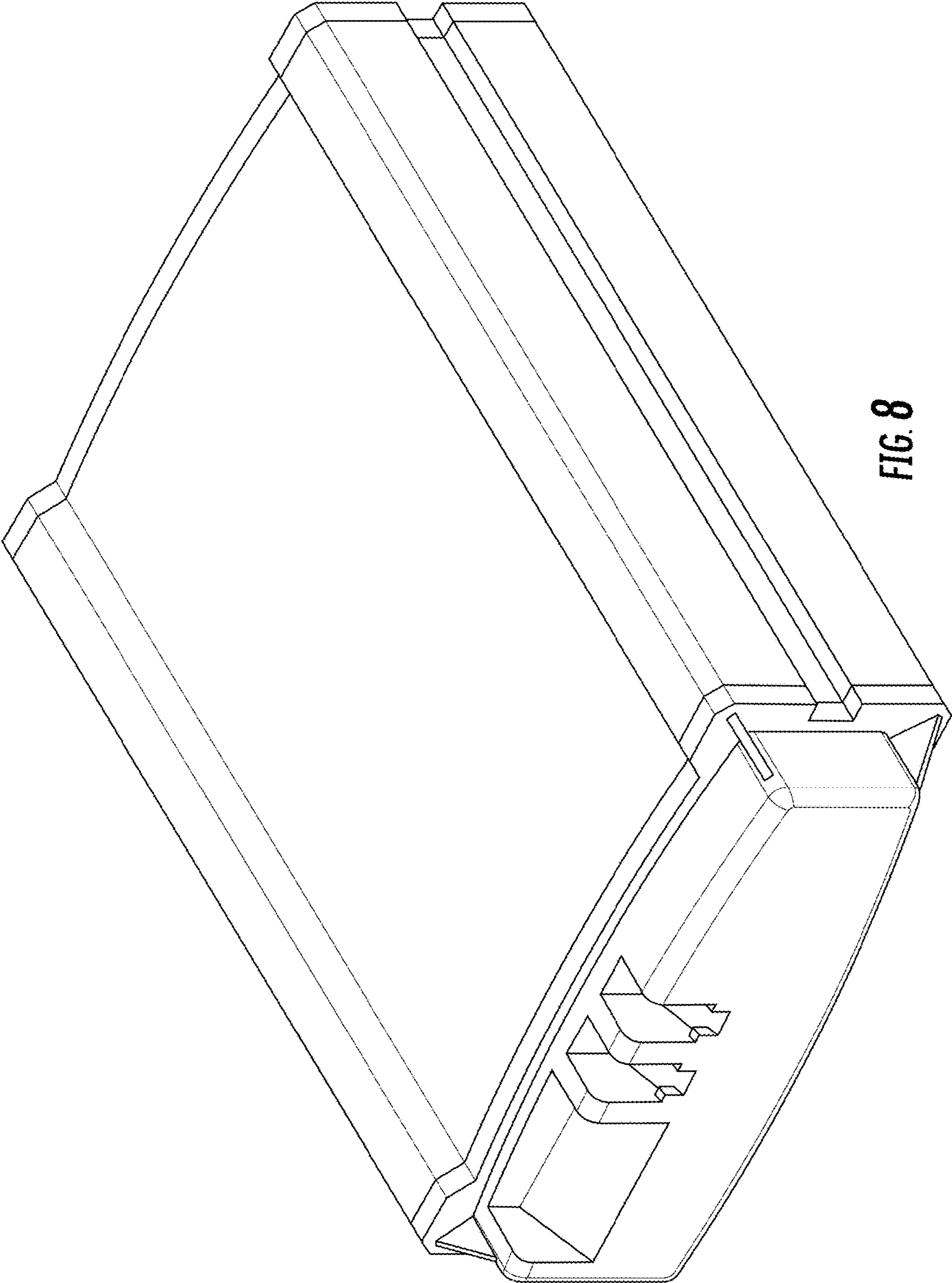
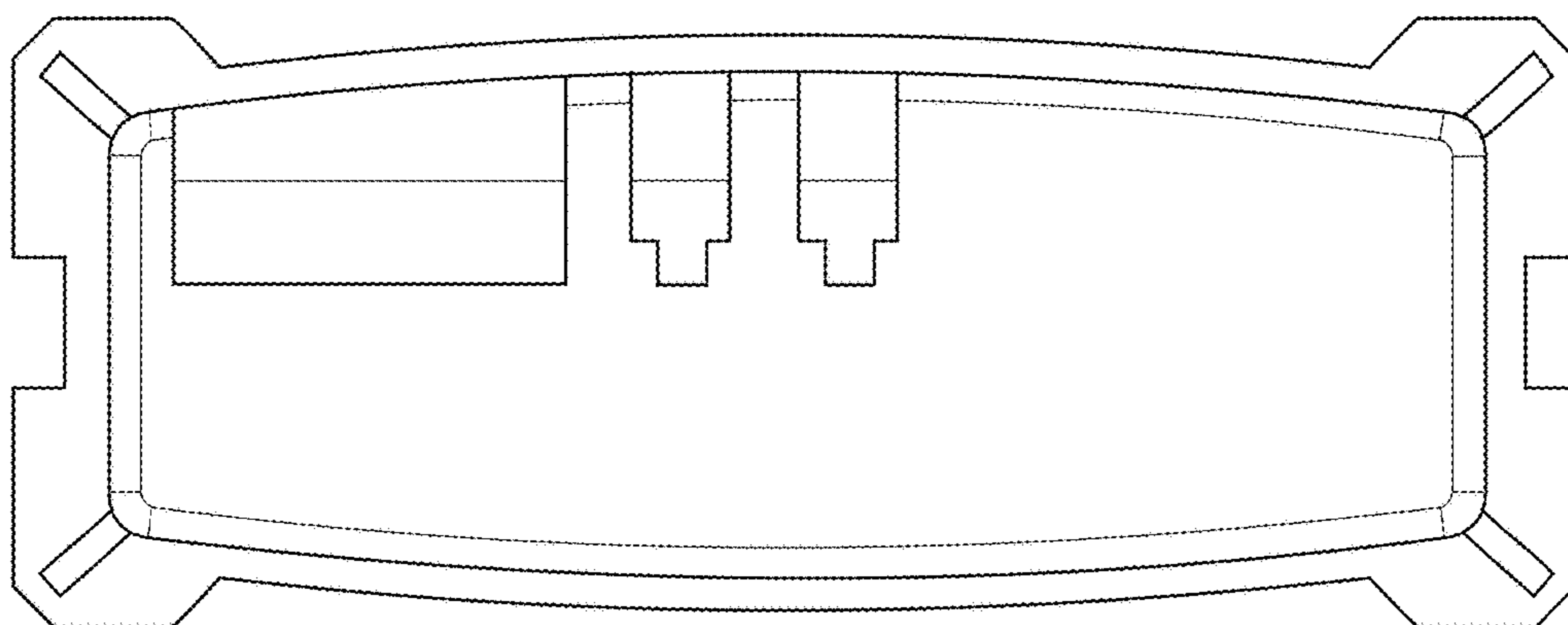
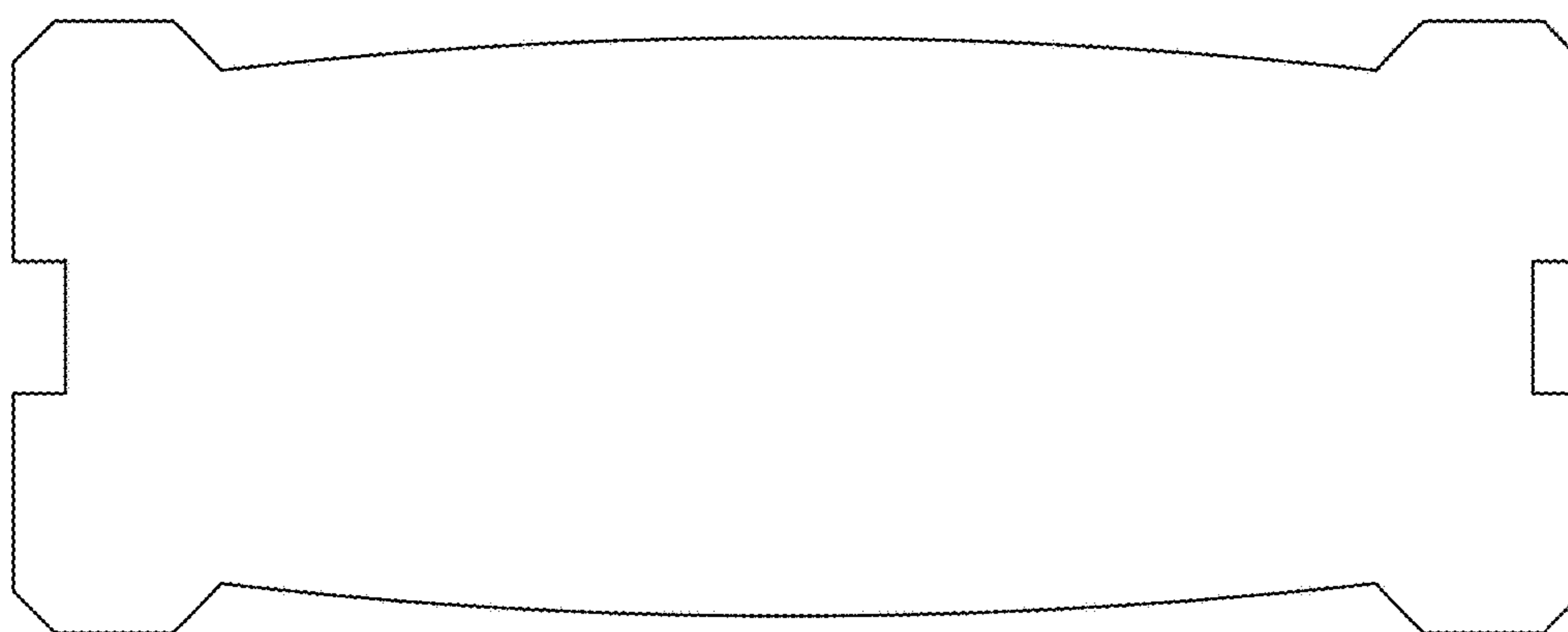


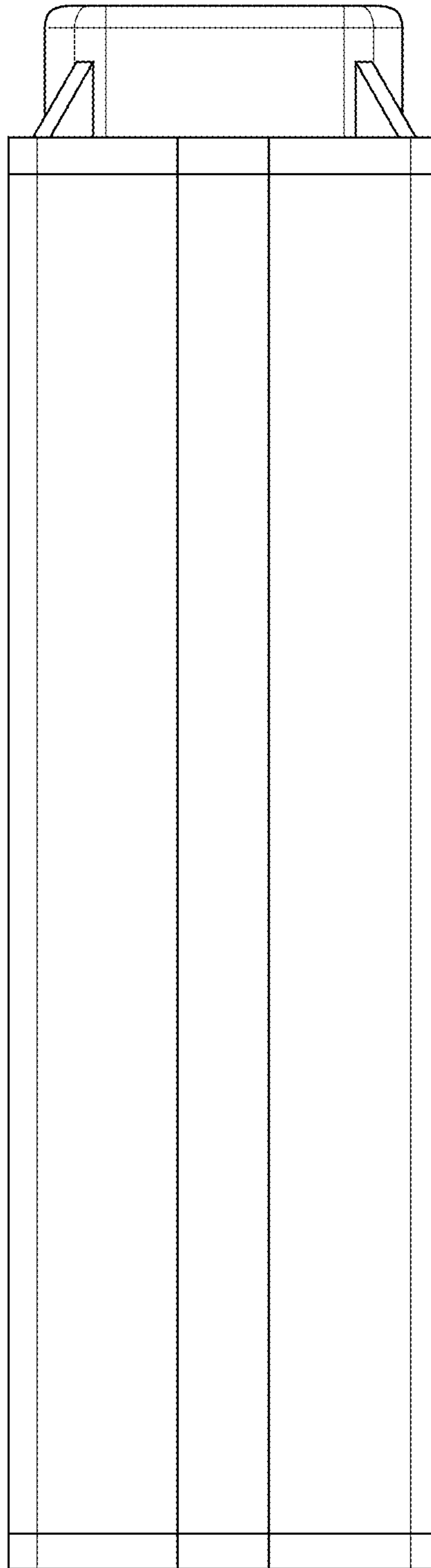
FIG. 8



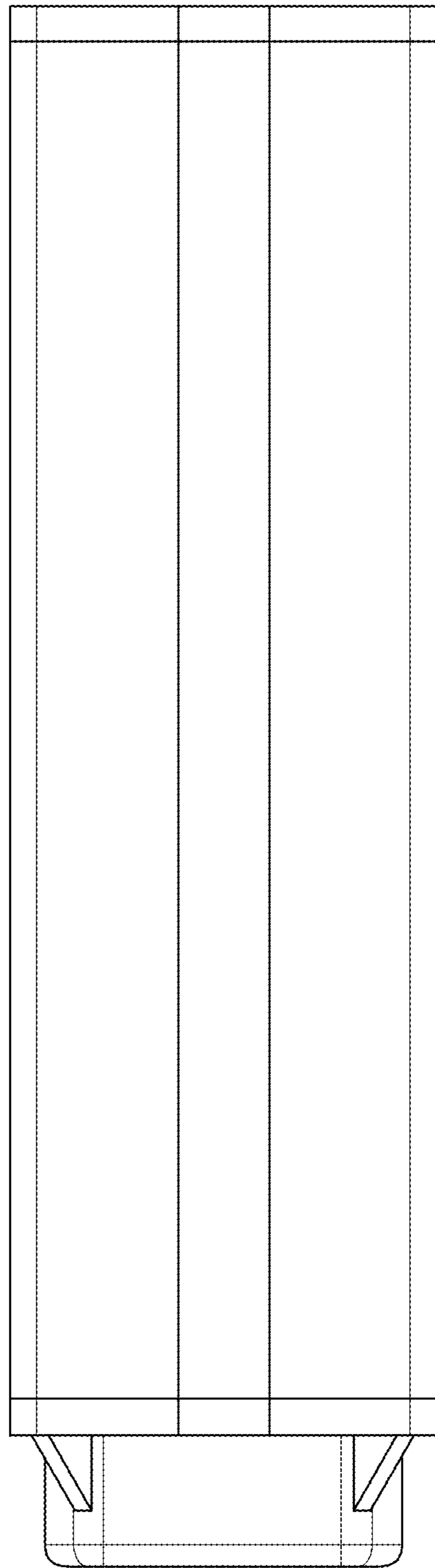
**FIG. 9**



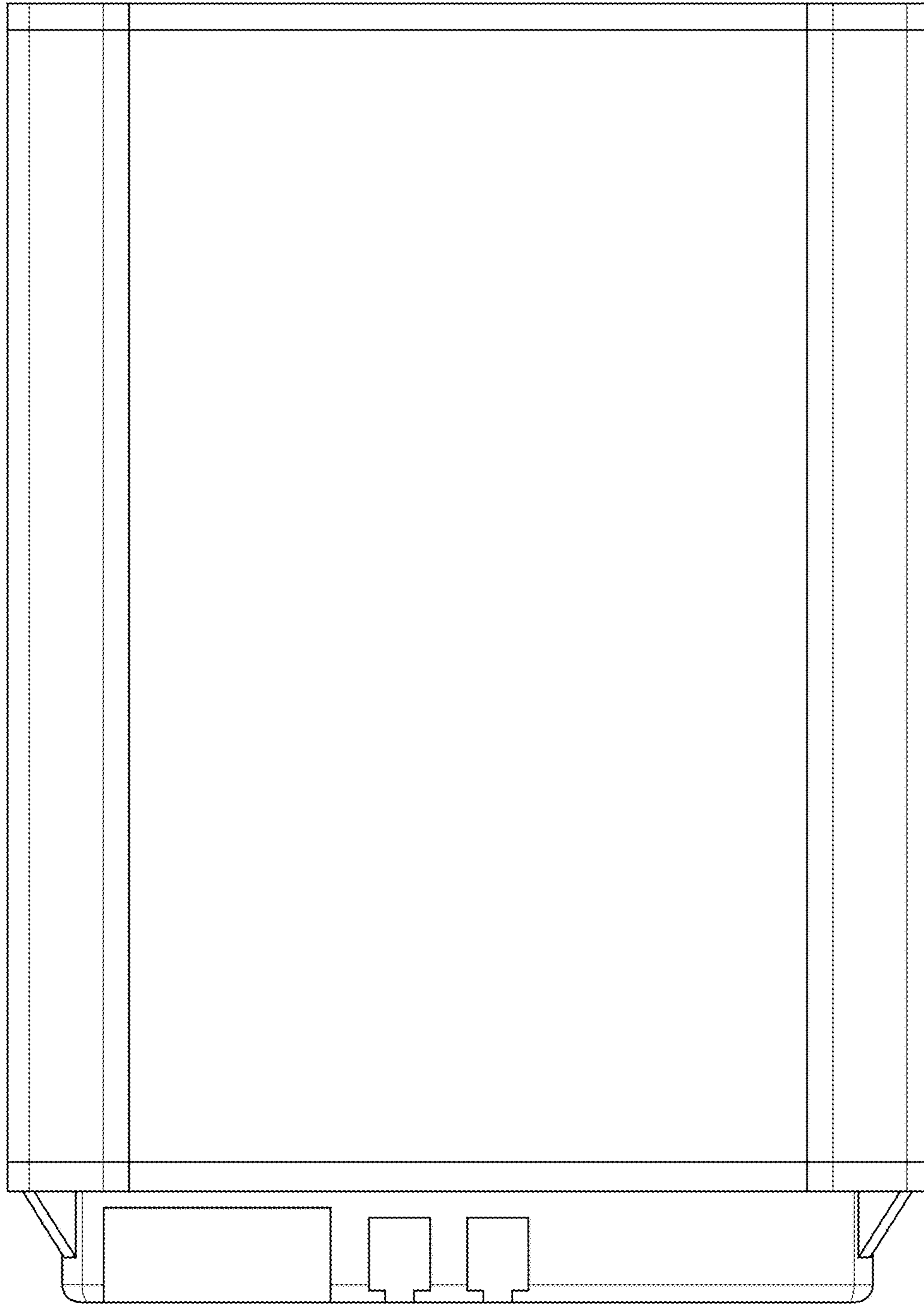
**FIG. 10**



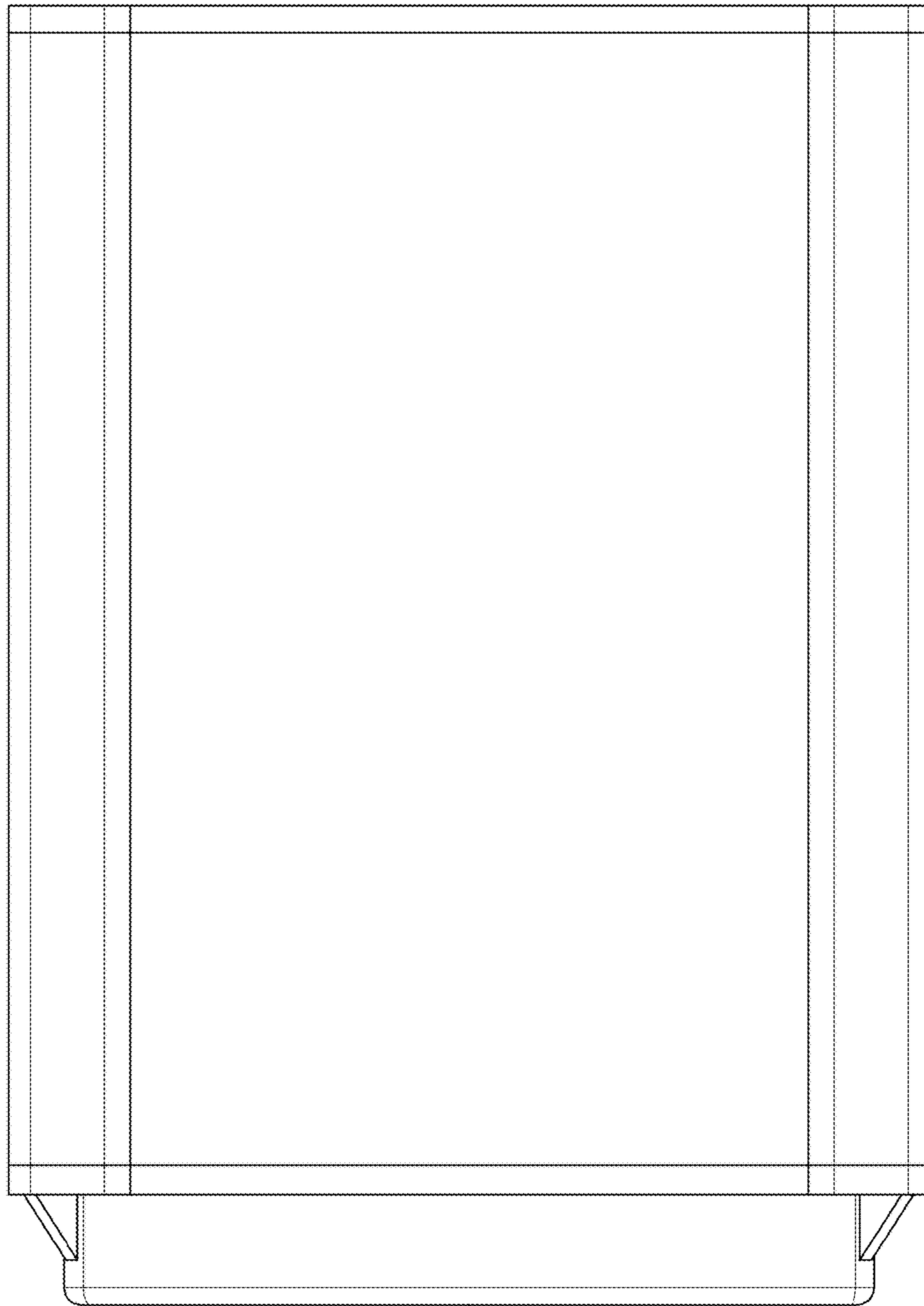
**FIG. 11**



**FIG. 12**



**FIG. 13**



**FIG. 14**