



US00D820779S

(12) **United States Design Patent**
Mori

(10) **Patent No.:** **US D820,779 S**
(45) **Date of Patent:** **** Jun. 19, 2018**

- (54) **SPIKE PIN FOR AUTOMOBILE TIRE**
- (71) Applicant: **THE YOKOHAMA RUBBER CO., LTD.**, Minato-ku, Tokyo (JP)
- (72) Inventor: **Masakazu Mori**, Hiratsuka (JP)
- (73) Assignee: **THE YOKOHAMA RUBBER CO., LTD.**, Minato-ku, Tokyo (JP)

D708,567 S *	7/2014	Matsumoto	D12/608
D774,449 S *	12/2016	Matsumoto	D12/608
D775,585 S *	1/2017	Matsumoto	D12/608
D775,586 S *	1/2017	Matsumoto	D12/608
D776,047 S *	1/2017	Matsumoto	D12/608
D776,048 S *	1/2017	Matsumoto	D12/608
D776,049 S *	1/2017	Matsumoto	D12/608
D777,097 S *	1/2017	Matsumoto	D12/608
D790,449 S *	6/2017	Yoon	D12/605

* cited by examiner

(**) Term: **15 Years**

Primary Examiner — George D. Kirschbaum

Assistant Examiner — Clese Moore, Jr.

(21) Appl. No.: **29/595,468**

(74) *Attorney, Agent, or Firm* — Banner & Witcoff, Ltd.

(22) Filed: **Feb. 28, 2017**

(57) **CLAIM**

The ornamental design for a spike pin for automobile tire, as shown and described.

(30) **Foreign Application Priority Data**

DESCRIPTION

Aug. 30, 2016 (JP) 2016-018475

(51) **LOC (11) Cl.** **12-15**

(52) **U.S. Cl.**
USPC **D12/608**

(58) **Field of Classification Search**
USPC D12/604–608, 501, 544, 579
CPC ... B60C 27/08; B60C 27/086; B60C 27/0223;
B60C 11/1675; B60C 11/14
See application file for complete search history.

FIG. 1 is a perspective view of a spike pin for an automobile tire showing my new design;
FIG. 2 is a front view thereof;
FIG. 3 is a right side view thereof;
FIG. 4 is a top view thereof;
FIG. 5 is a bottom view thereof;
FIG. 6 is a cross sectional view taken along lines 6-6 shown in FIG. 2; and,
FIG. 7 is a cross sectional view taken along lines 7-7 shown in FIG. 3.

(56) **References Cited**

U.S. PATENT DOCUMENTS

D584,979 S *	1/2009	Pirhonen	D12/608
D608,233 S *	1/2010	Pirhonen	D12/608
D609,127 S *	2/2010	Pirhonen	D12/608
D706,709 S *	6/2014	Matsumoto	D12/608

A rear view appears to be identical to the front view and is omitted. A left side view appears to be identical to the right side view and is omitted. The thin lines shown in the views are for clarifying the shape of the three-dimensional surface.

1 Claim, 7 Drawing Sheets

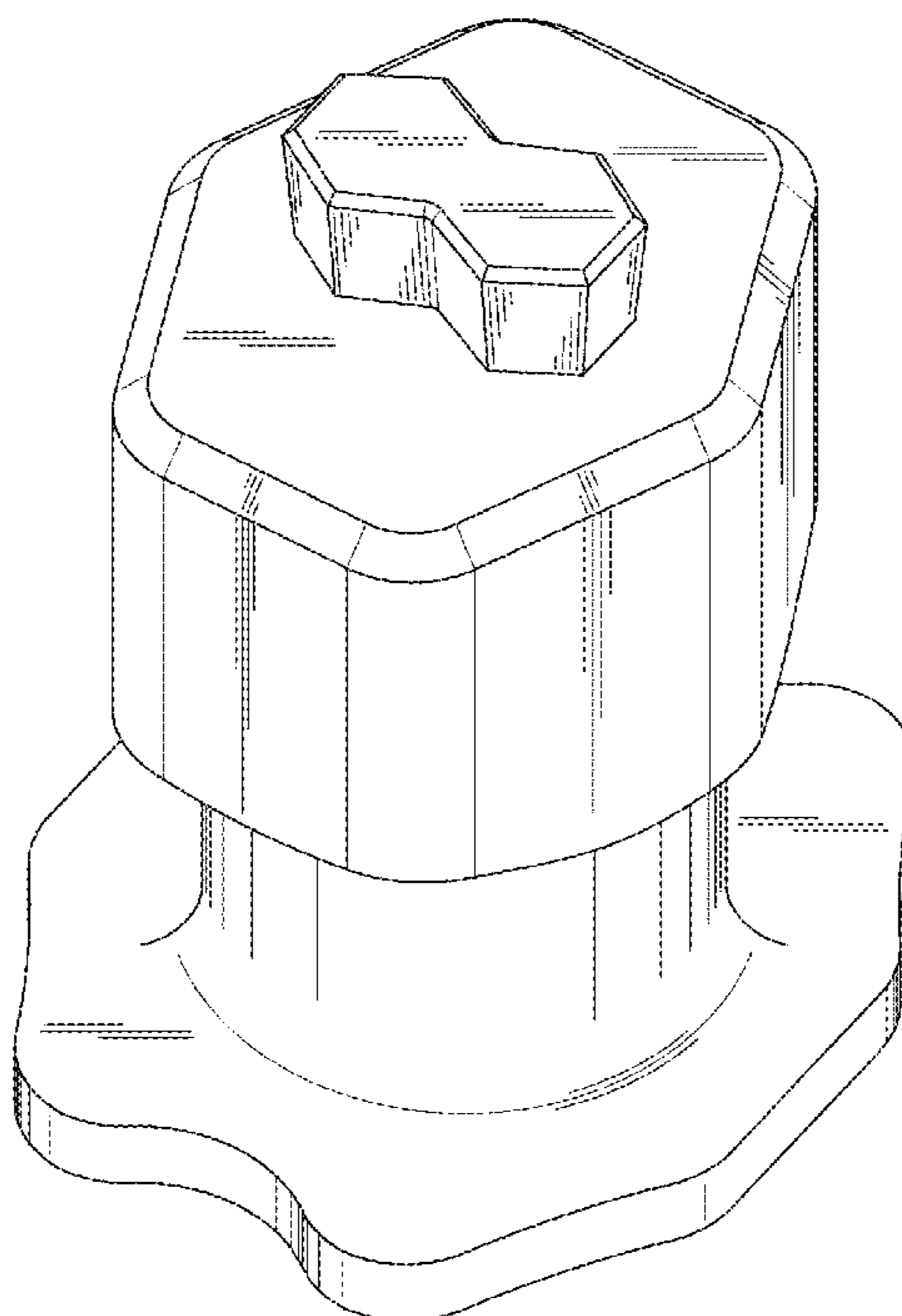


FIG. 1

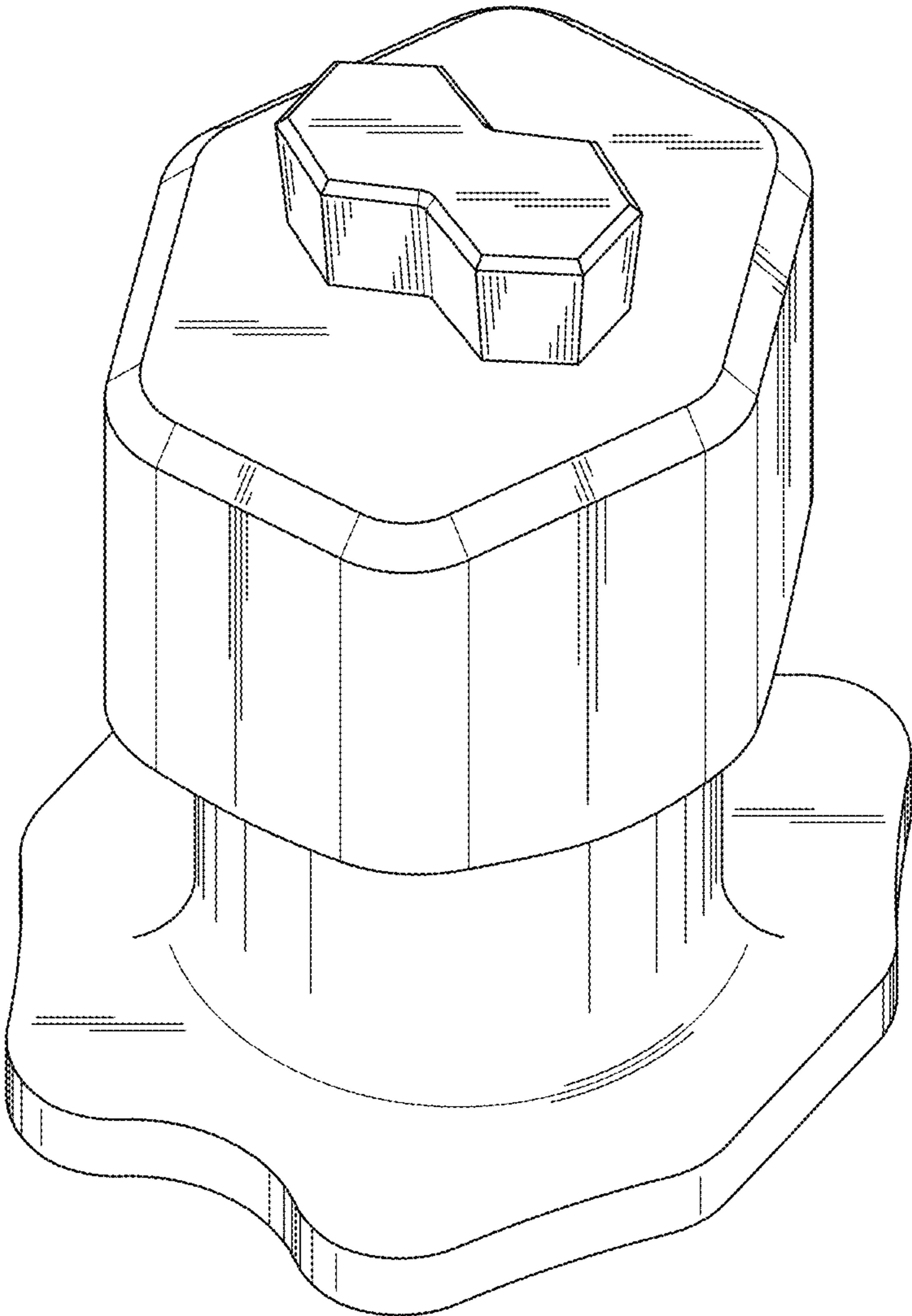


FIG. 2

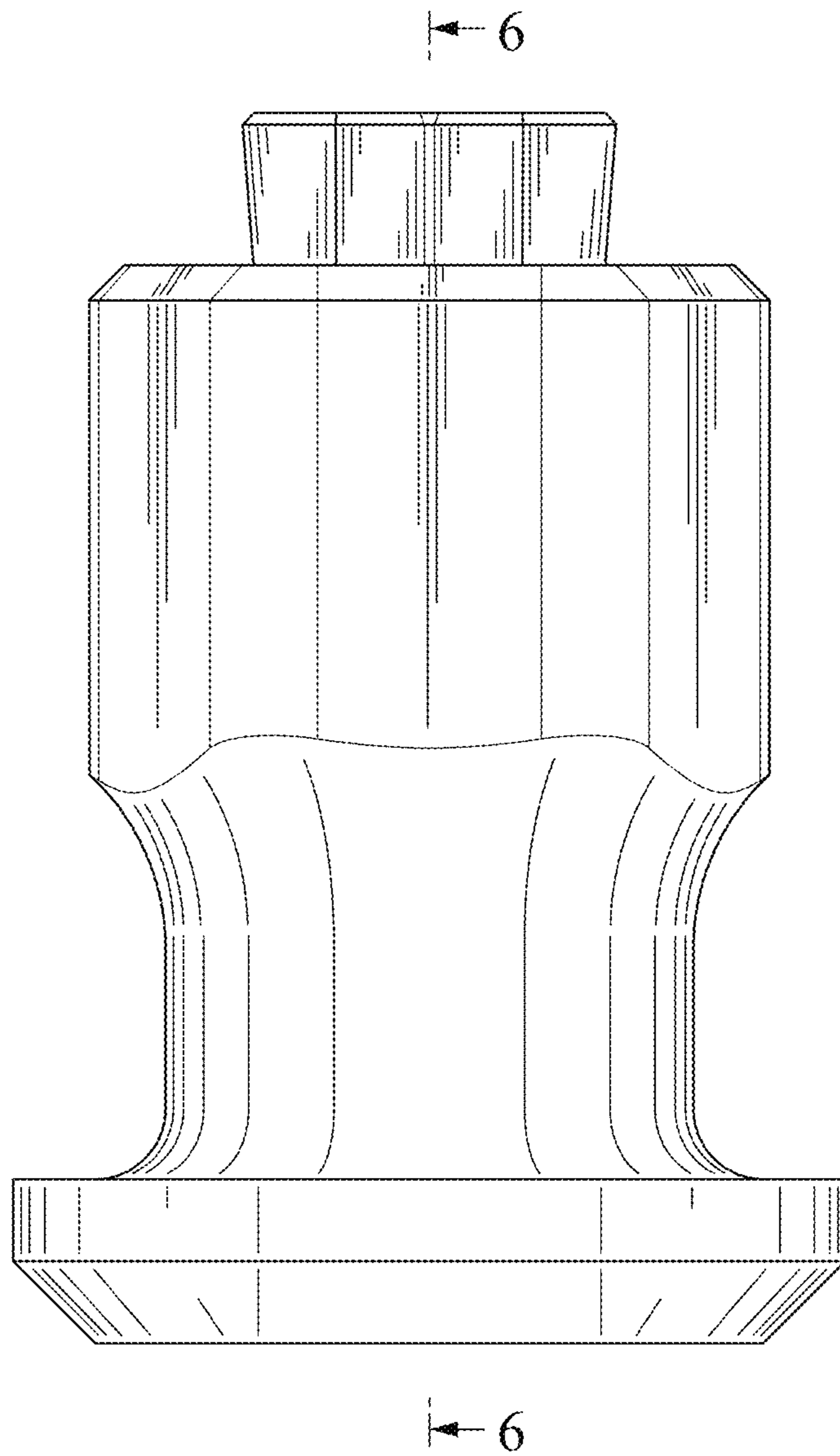


FIG. 3

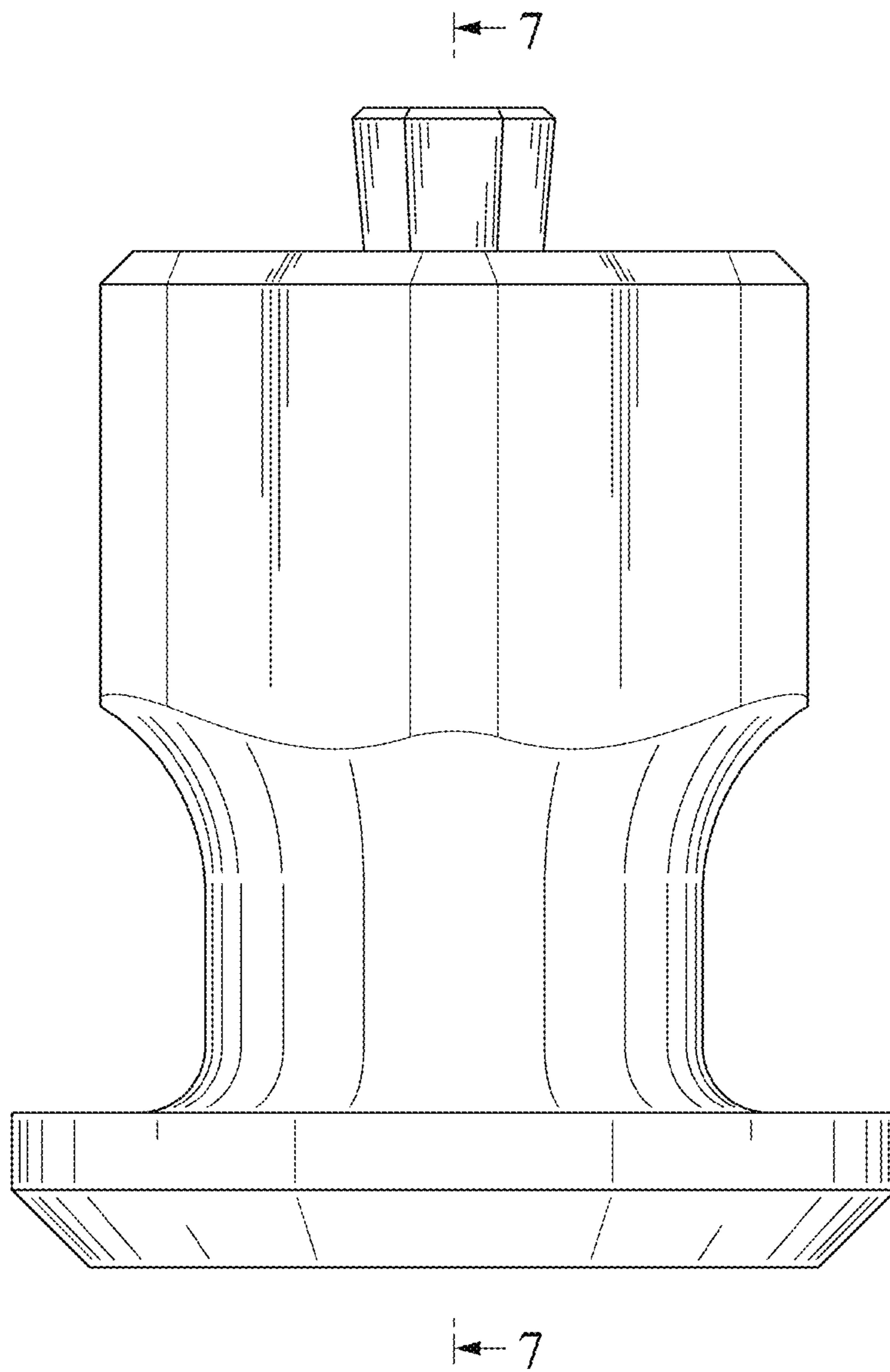


FIG. 4

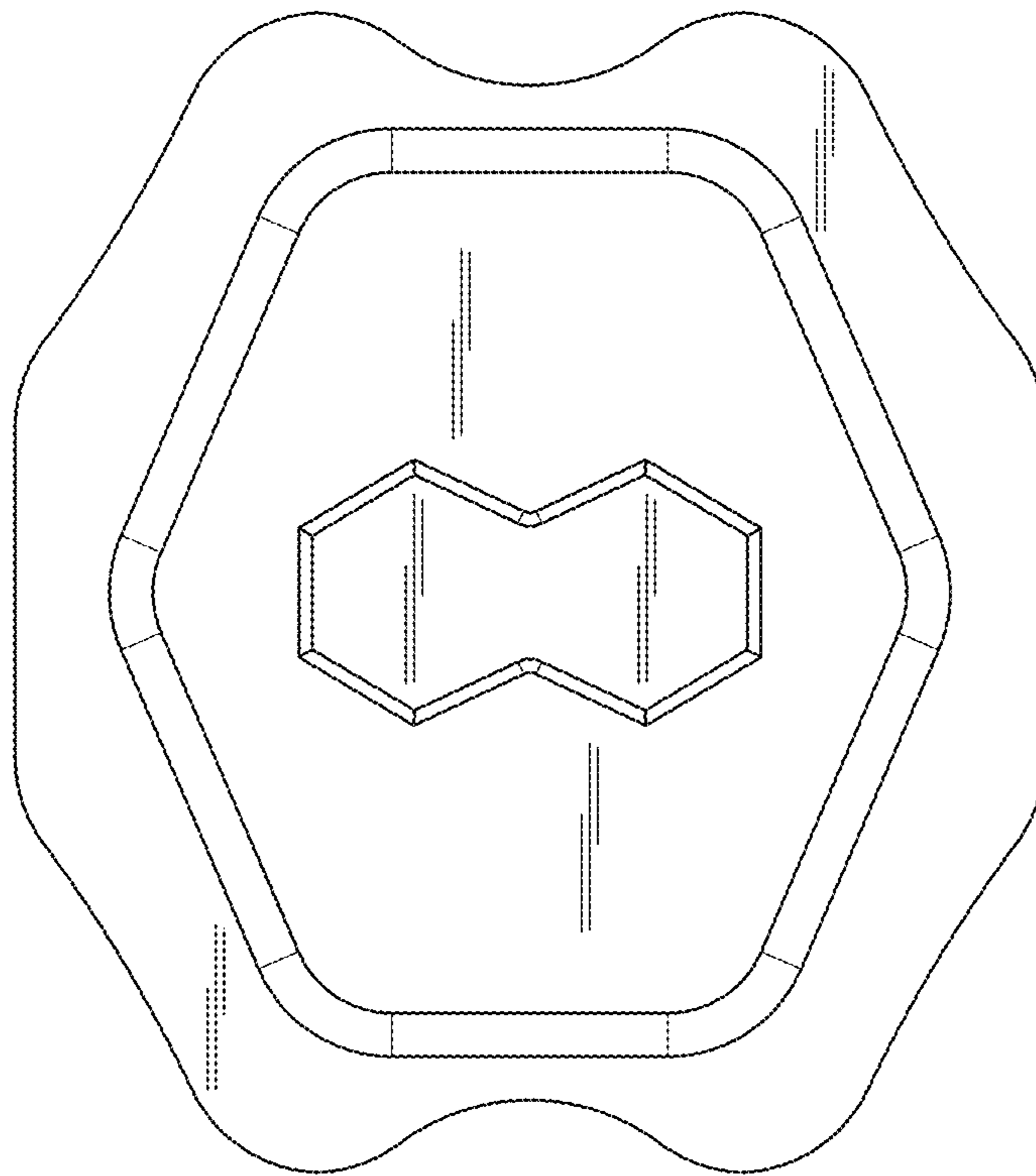


FIG. 5

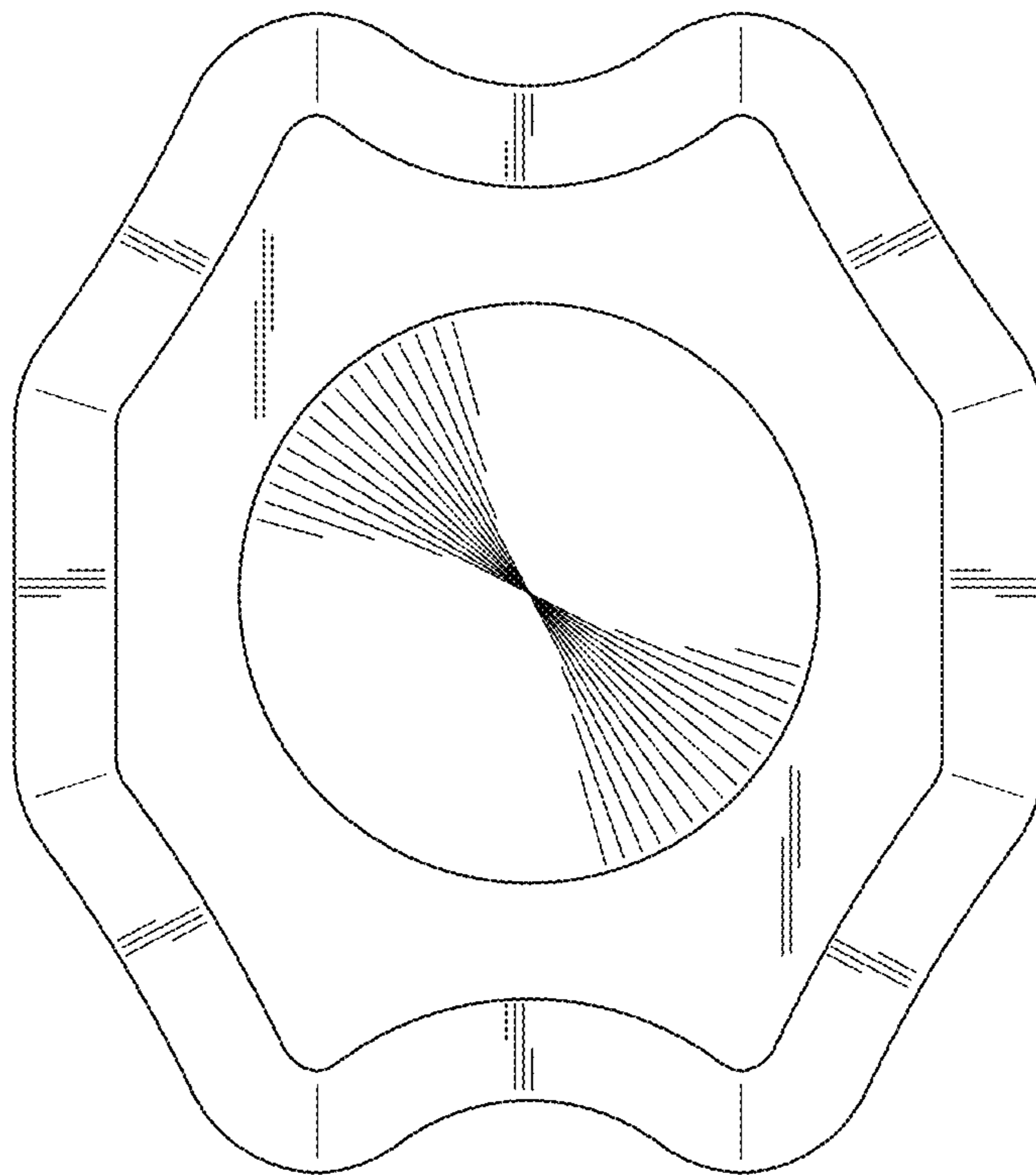


FIG. 6

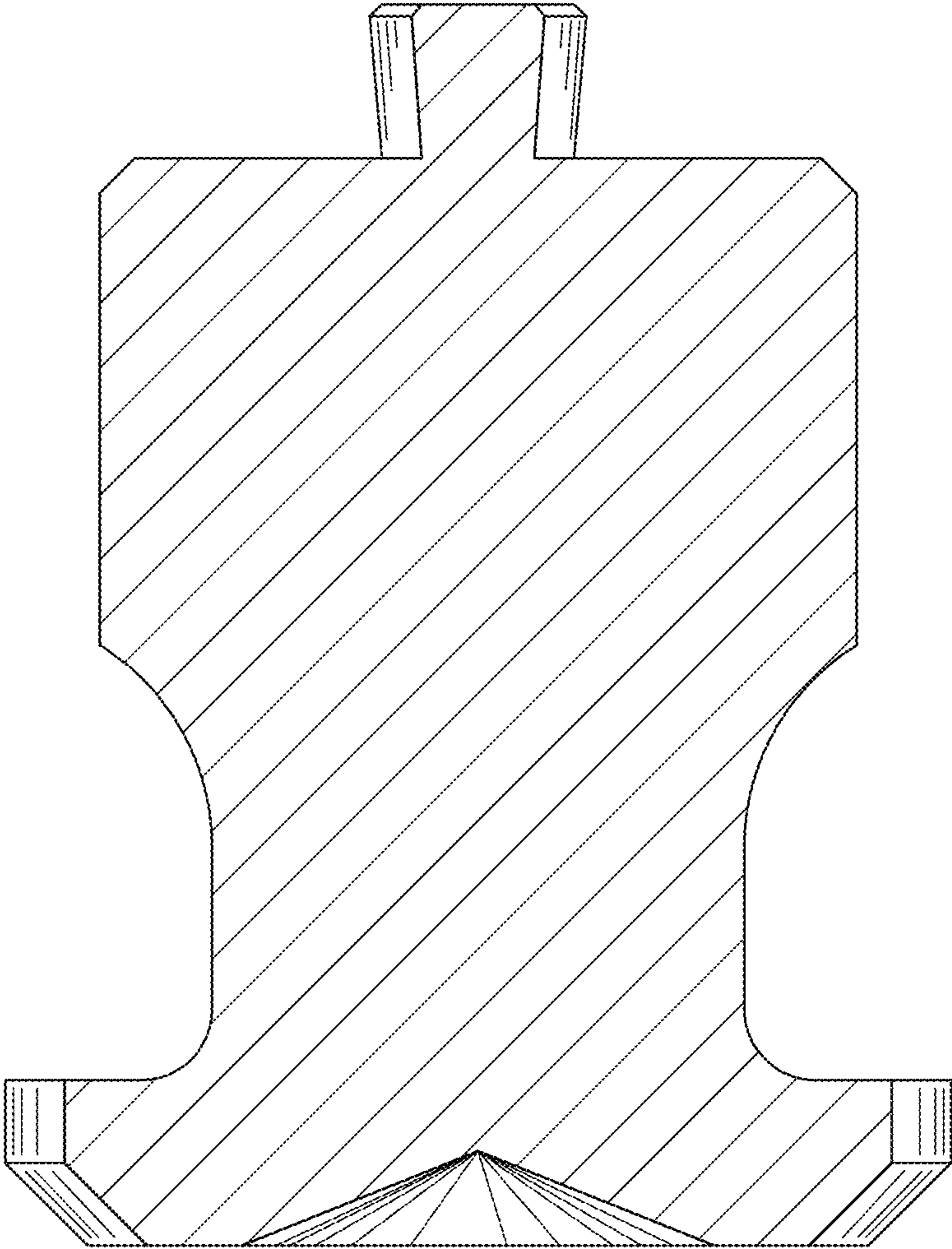


FIG. 7

