



US00D820774S

(12) **United States Design Patent**
Brayer et al.

(10) **Patent No.:** **US D820,774 S**
(45) **Date of Patent:** **** Jun. 19, 2018**

- (54) **TIRE**
- (71) Applicant: **The Goodyear Tire & Rubber Company**, Akron, OH (US)
- (72) Inventors: **Randall Raymond Brayer**, North Canton, OH (US); **Julien Vito Proietti**, Copley, OH (US); **Dale Edward Umstot**, Atwater, OH (US)
- (73) Assignee: **The Goodyear Tire & Rubber Company**, Akron, OH (US)
- (**) Term: **15 Years**
- (21) Appl. No.: **29/591,953**
- (22) Filed: **Jan. 25, 2017**
- (51) **LOC (11) Cl.** **12-15**
- (52) **U.S. Cl.**
USPC **D12/552; D12/605**
- (58) **Field of Classification Search**
USPC **D12/544, 551, 552, 553, 555, 556, 605**
CPC **B60C 11/0302; B60C 2011/031**
See application file for complete search history.

(56) **References Cited**

U.S. PATENT DOCUMENTS

D379,448 S	5/1997	Graas et al.	D12/147
D455,116 S	4/2002	Graas et al.	D12/553
D504,866 S	5/2005	Collette et al.	D12/553
D505,112 S	5/2005	Heinen et al.	D12/567
D533,131 S *	12/2006	Fontaine	D12/553
D579,861 S	11/2008	Haas et al.	D12/553
D586,728 S	2/2009	Heinen et al.	D12/547
D588,525 S *	3/2009	Tanaka	D12/551
D588,526 S *	3/2009	Tanaka	D12/551
D592,588 S	5/2009	Heinen et al.	D12/564
D595,639 S	7/2009	de Briey-Terlinden	D12/553
D597,475 S	8/2009	Heinen et al.	D12/553
D601,946 S	10/2009	Fontaine et al.	D12/553
D610,964 S	3/2010	Dixon et al.	D12/552

D615,479 S	5/2010	Lee	D12/552
D635,912 S	4/2011	Knispel	D12/564
D638,350 S	5/2011	Knispel	D12/564
D640,184 S	6/2011	de Briey-Terlinden	D12/553
D694,172 S	11/2013	Takei	D12/553
D702,625 S *	4/2014	Leconte	D12/564
D717,725 S *	11/2014	Fujita	D12/552

(Continued)

Primary Examiner — Robert M. Spear

(74) *Attorney, Agent, or Firm* — Robert N. Lipsik

(57) **CLAIM**

The ornamental design for a tire, as shown and described.

DESCRIPTION

FIG. 1 is a perspective view of a tire showing our new design, it being understood that the pattern repeats uniformly throughout the circumference of the tread;

FIG. 2 is a front elevational view thereof;

FIG. 3 is a right side elevational view thereof; the left side elevational view being a mirror image thereof;

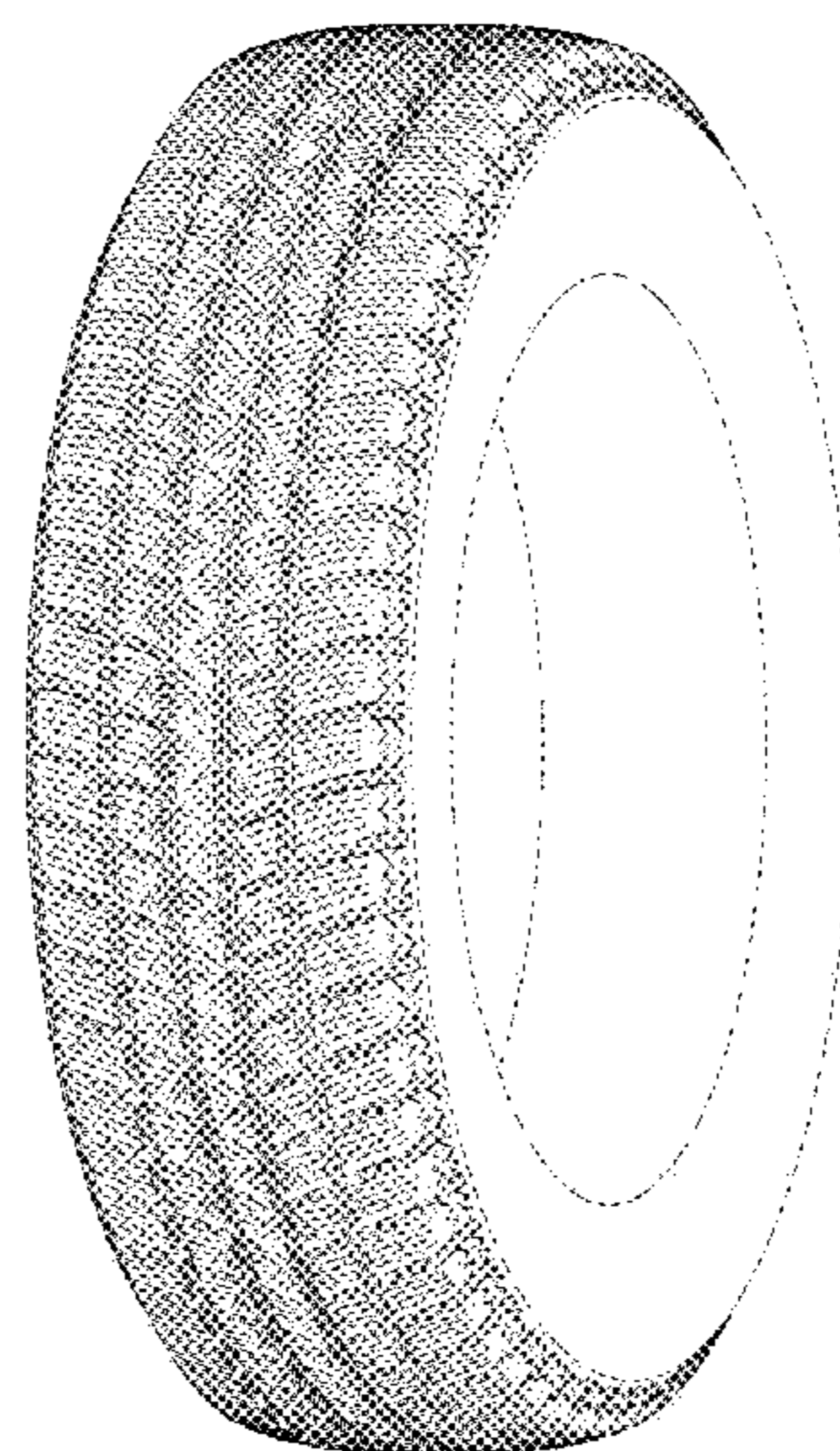
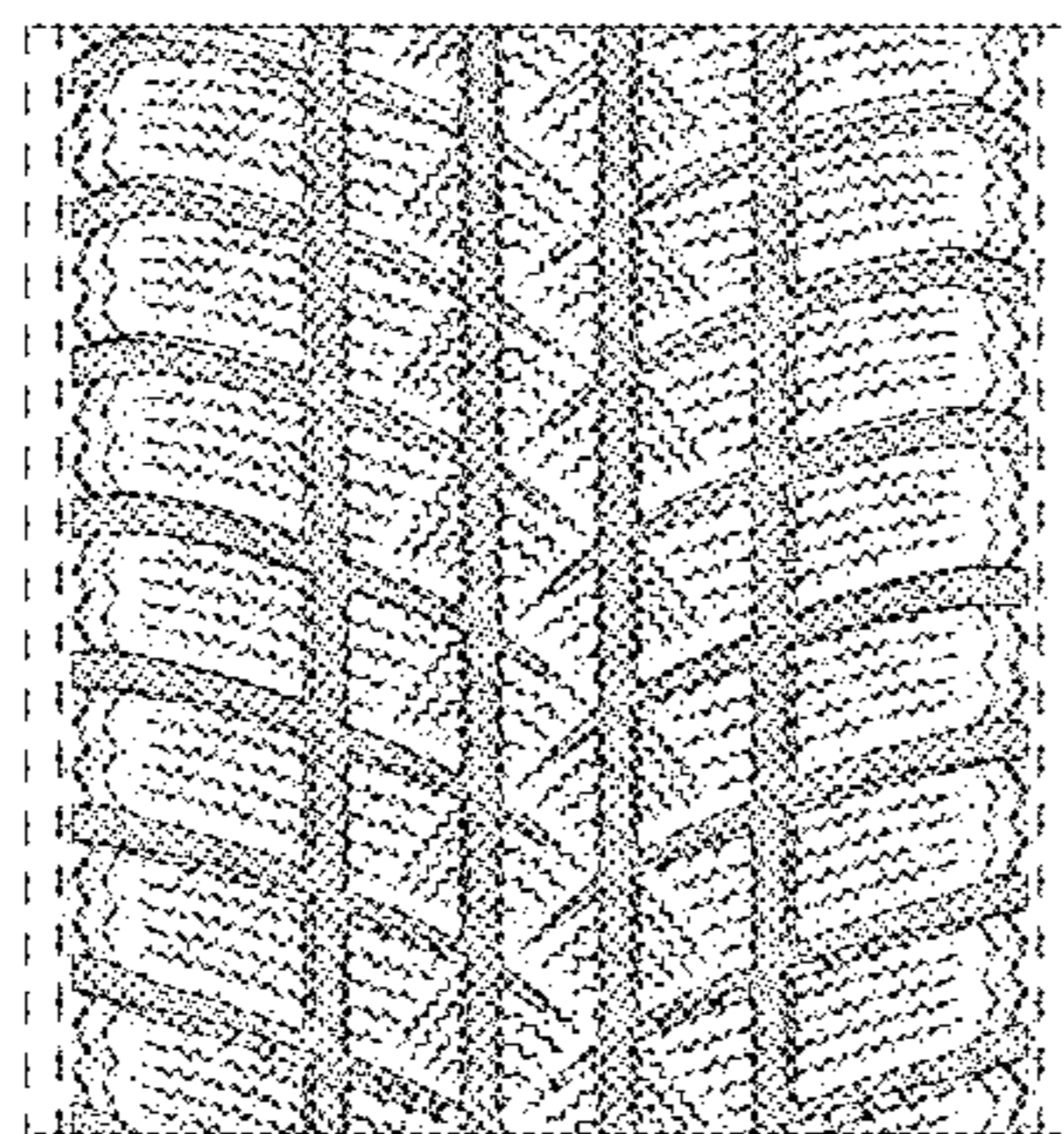
FIG. 4 is an enlarged fragmentary front elevational view thereof;

FIG. 5 is a perspective view of a second embodiment of a tire showing our new design, it being understood that the pattern repeats uniformly throughout the circumference of the tread and that the opposite side view is a mirror image thereof; and,

FIG. 6 is a front elevational view of a second embodiment, it being understood that an enlarged fragmentary view thereof would be substantially identical to that shown in FIG. 4, with the exception of the inclusion of the sidewall in solid lines.

In the drawings, the broken lines showing of the sidewall, inner bead and the peripheral boundary between the tire tread and the sidewall in FIGS. 1 through 4 depict environmental subject matter and form no part of the claimed design.

1 Claim, 6 Drawing Sheets



(56)

References Cited

U.S. PATENT DOCUMENTS

D720,685 S	1/2015	Fontaine et al.	D12/565
D721,638 S	1/2015	Knispel	D12/564
D722,554 S	2/2015	Knispel et al.	D12/564
D722,555 S *	2/2015	Knispel	D12/564
D723,453 S *	3/2015	Knispel	D12/563
D724,522 S *	3/2015	D'Abrigeon	D12/552
D736,692 S *	8/2015	Fujita	D12/564
D754,058 S	4/2016	Caron et al.	D12/563
D755,114 S *	5/2016	Abe	D12/540
D794,545 S *	8/2017	Houchard	D12/545
D802,522 S *	11/2017	Ding	D12/559

* cited by examiner

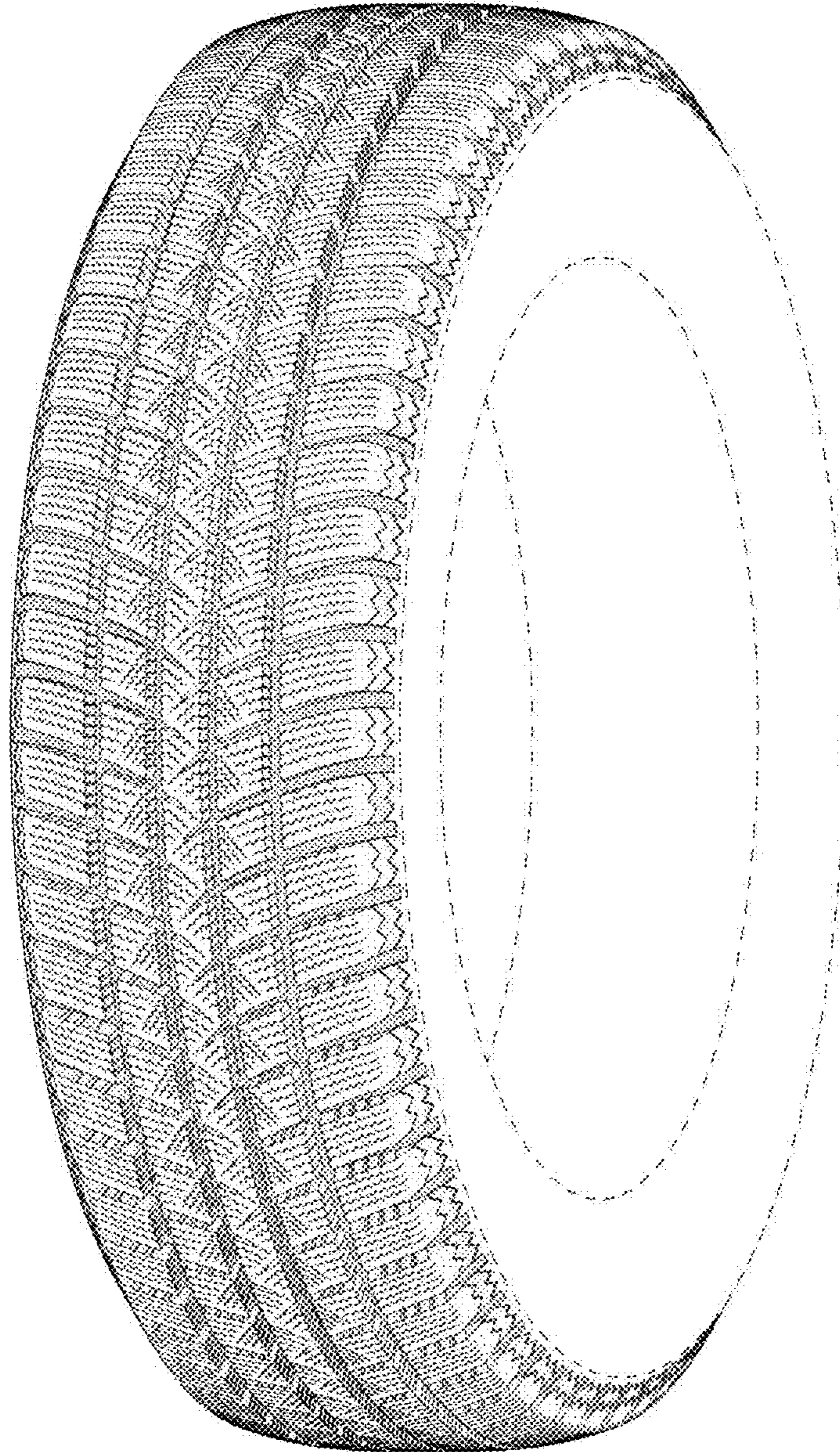


FIG - 1

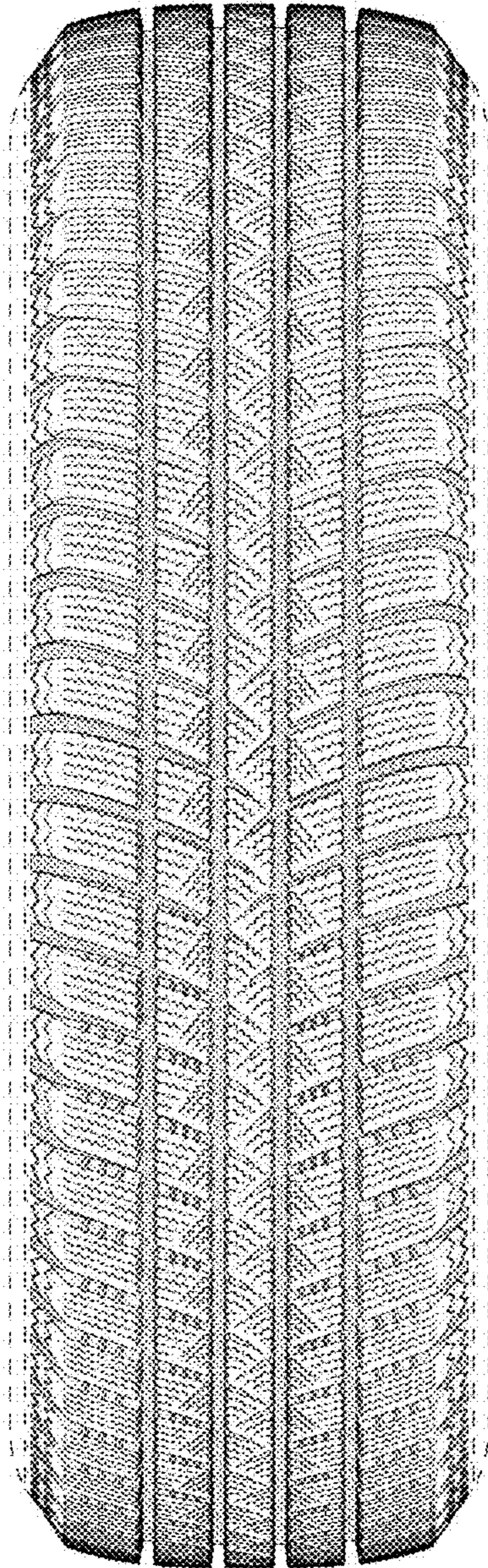


FIG - 2

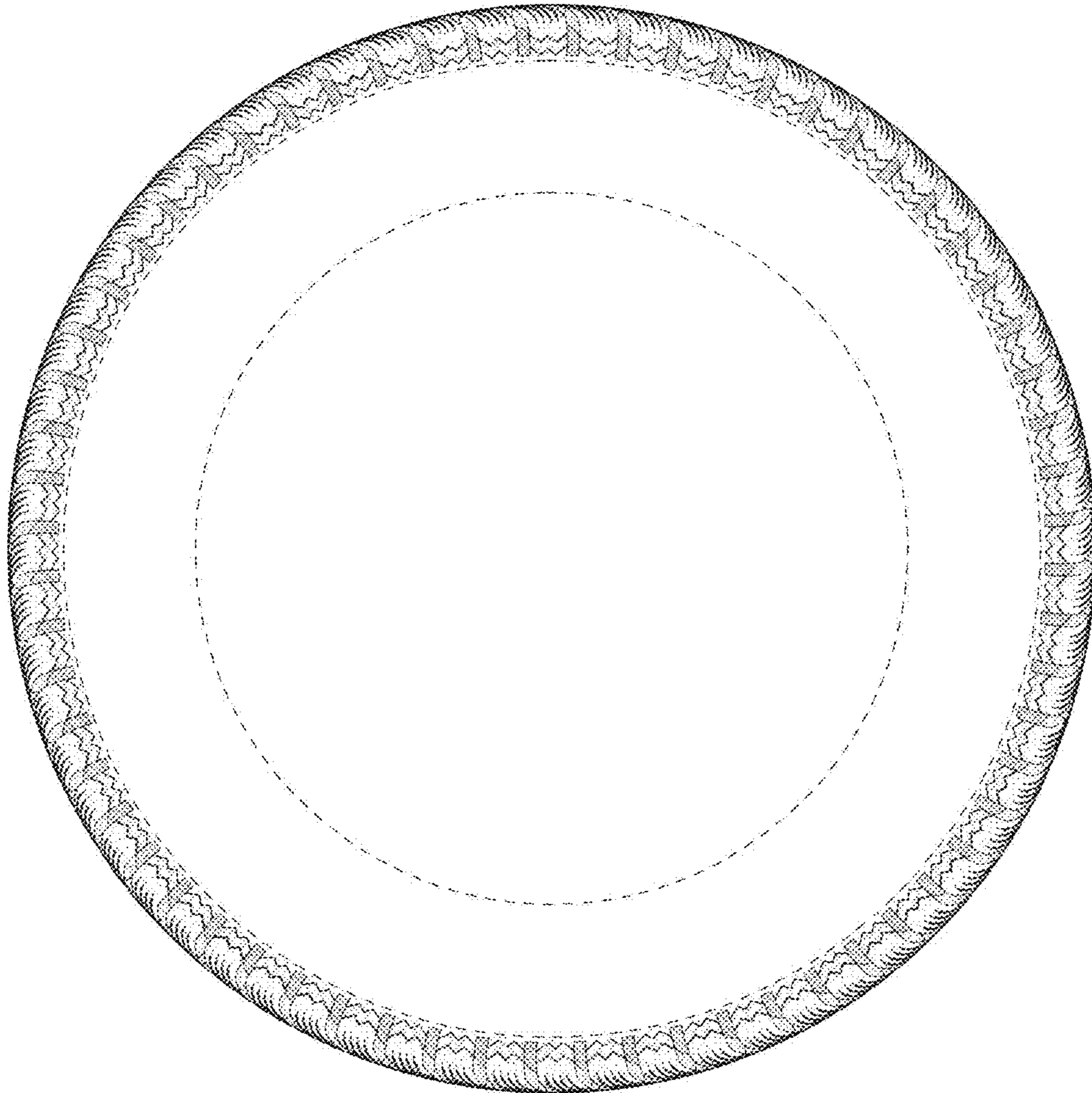


FIG - 3

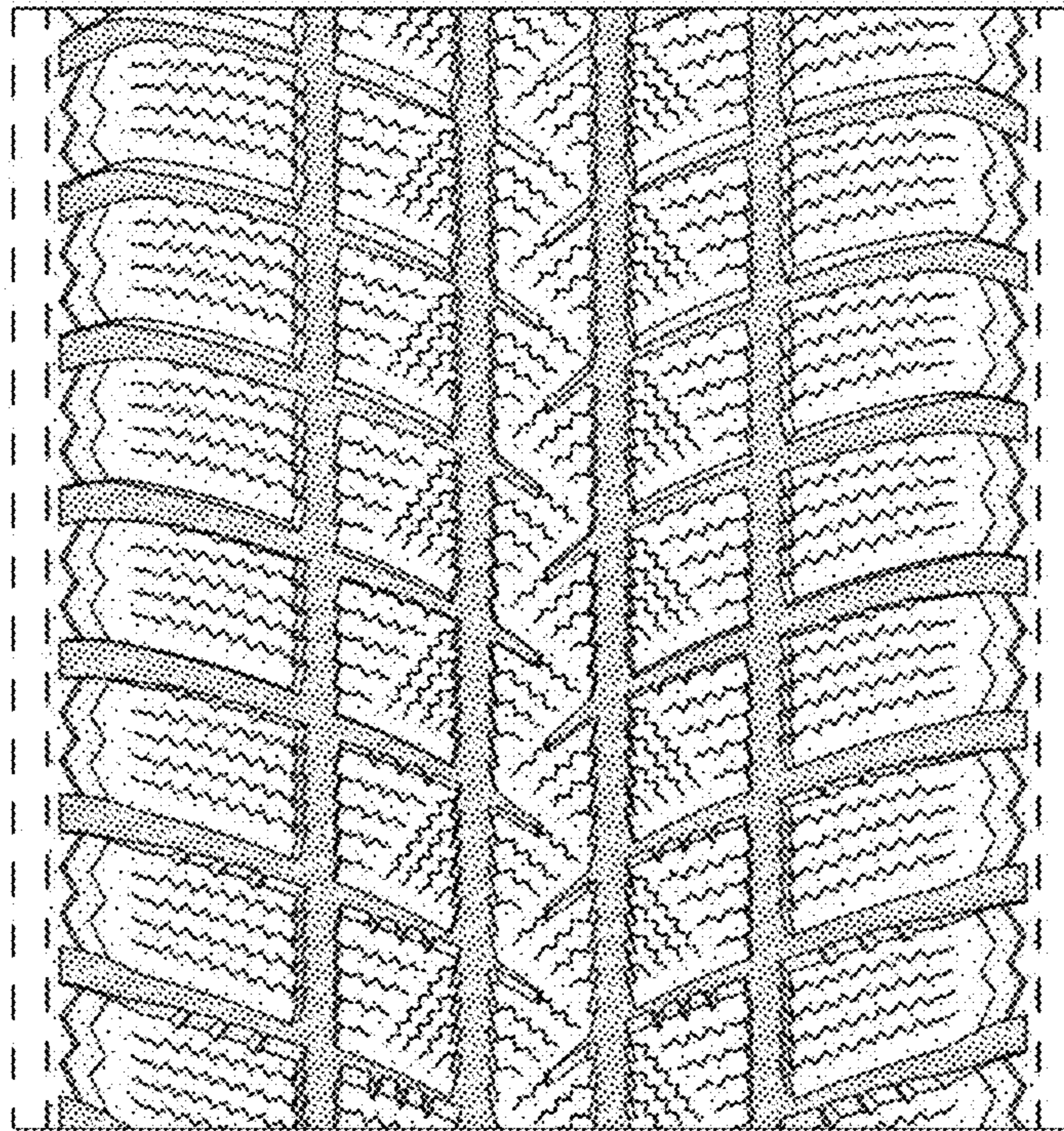


FIG - 4

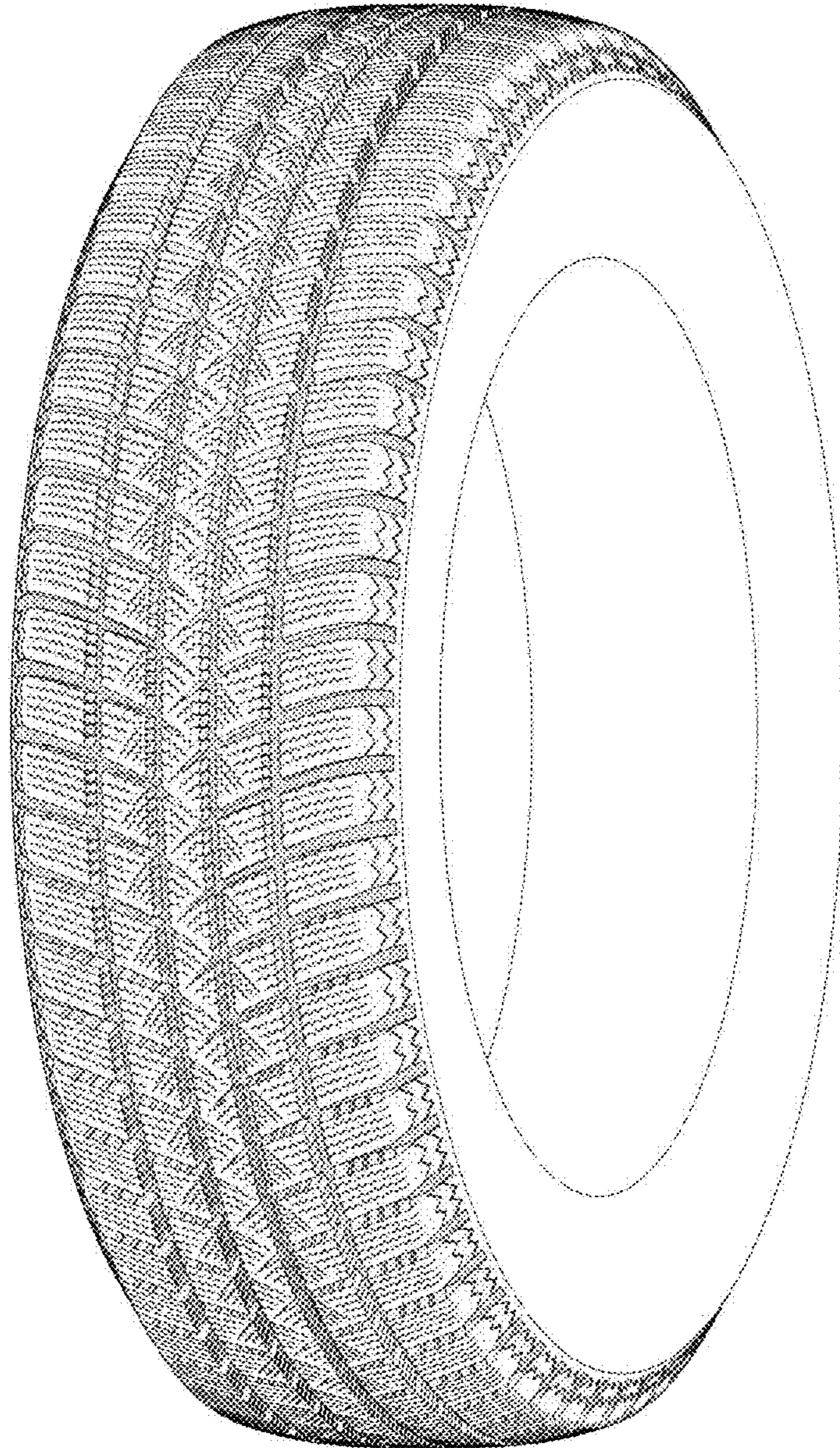


FIG - 5

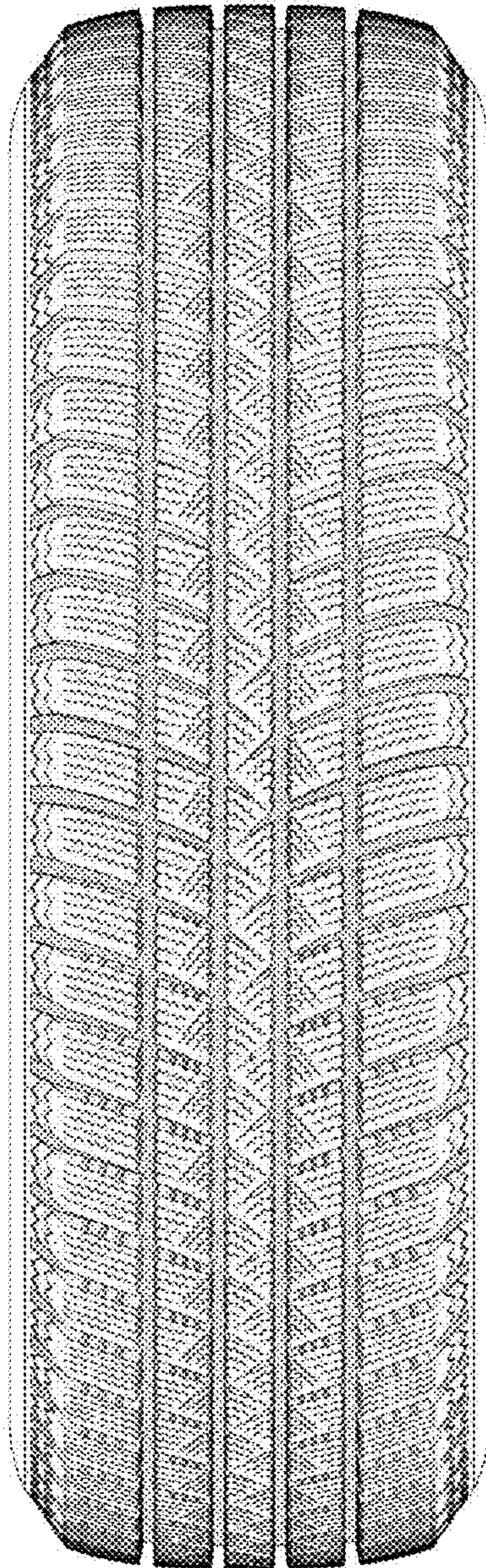


FIG - 6