



US00D820771S

(12) **United States Design Patent**
Wongsariyanich et al.

(10) **Patent No.:** **US D820,771 S**
(45) **Date of Patent:** **** Jun. 19, 2018**

(54) **TIRE TREAD**

(71) Applicant: **SVIZZ-ONE CORPORATION LTD.**,
Nakhonpathom Province (TH)

(72) Inventors: **Krirk Wongsariyanich**, Bangkok
(TH); **Suwicha Wongsariyanich**,
Bangkok (TH)

(73) Assignee: **SVIZZ-ONE CORPORATION LTD.**,
Nakhonpathom Province (TH)

(**) Term: **15 Years**

(21) Appl. No.: **29/591,376**

(22) Filed: **Jan. 19, 2017**

(51) **LOC (11) Cl.** **12-15**

(52) **U.S. Cl.**
USPC **D12/521**

(58) **Field of Classification Search**
USPC D12/500–532, 604
CPC Y10T 152/10027; B60C 1/0016; B60C
11/0306; B60C 11/0302; B60C 3/06;
B60C 9/17
See application file for complete search history.

(56) **References Cited**

U.S. PATENT DOCUMENTS

D525,186 S *	7/2006	Martin	D12/521
D586,726 S *	2/2009	Baumard	D12/521
D633,433 S *	3/2011	Sieber	D12/519
D666,964 S *	9/2012	Ishida	D12/519
D743,872 S *	11/2015	Huang	D12/519
D761,717 S *	7/2016	Fu	D12/521
D776,602 S *	1/2017	Lucas	D12/521
D786,775 S *	5/2017	Hayashi	D12/521
D792,323 S *	7/2017	Colletti	D12/521

D797,034 S *	9/2017	Colombo	D12/521
D799,407 S *	10/2017	Philipot	D12/521
D803,148 S *	11/2017	Hayashi	D12/521
D806,003 S *	12/2017	Pribula	D12/521

* cited by examiner

Primary Examiner — Robert M. Spear

Assistant Examiner — John A Voytek

(74) *Attorney, Agent, or Firm* — K&L Gates LLP

(57) **CLAIM**

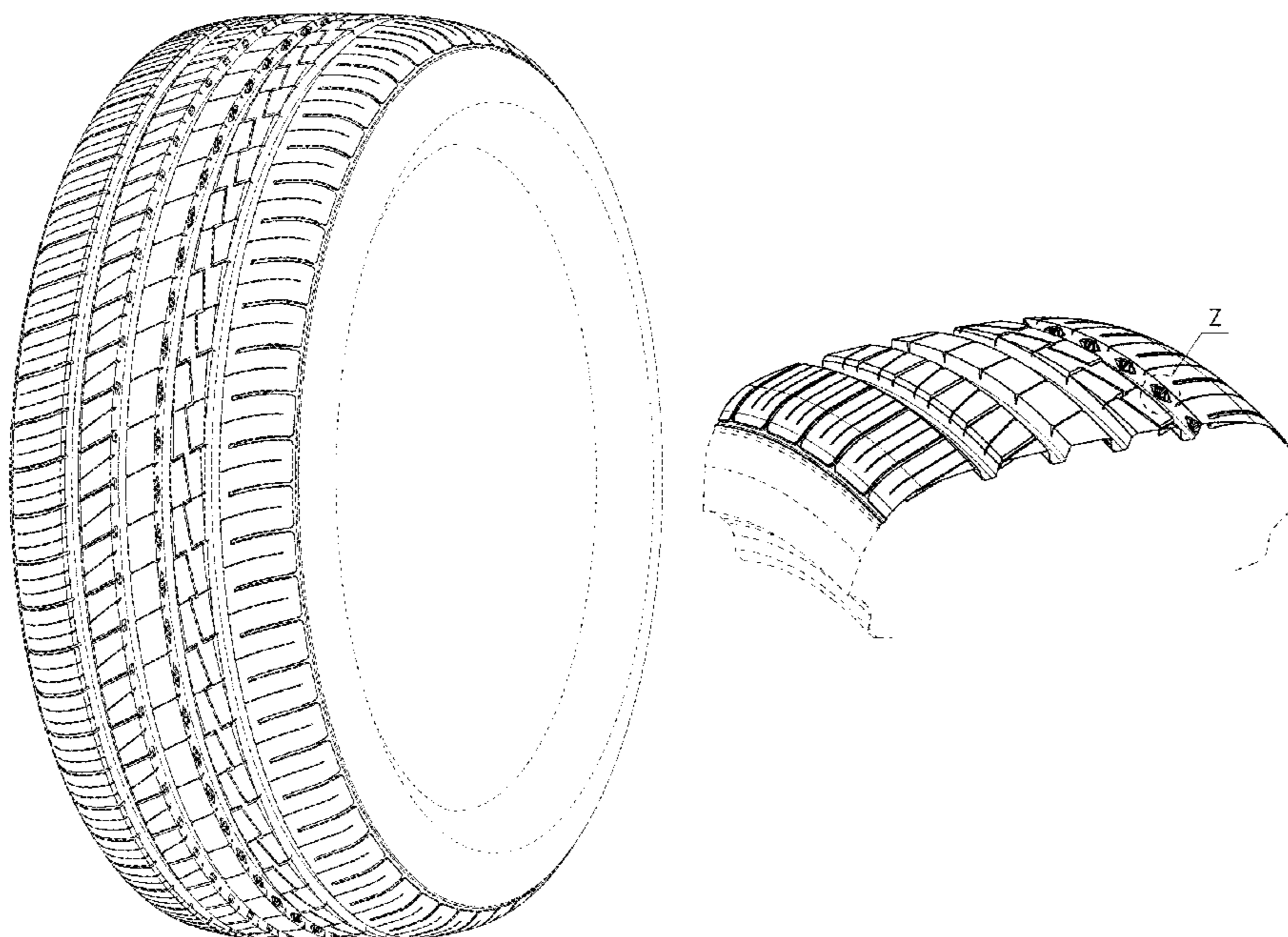
The ornamental design for a tire tread, as shown and described.

DESCRIPTION

FIG. 1 illustrates a front elevational view of a tire tread according to the present disclosure;
 FIG. 2 illustrates a rear elevational view thereof;
 FIG. 3 illustrates a first perspective view thereof;
 FIG. 4 illustrates a second perspective view thereof;
 FIG. 5 illustrates a right side elevational view thereof;
 FIG. 6 illustrates a left side elevational view thereof;
 FIG. 7 illustrates a first fragmentary perspective view showing details of the thread portion thereof;
 FIG. 8 illustrates a second fragmentary perspective view showing details of the thread portion thereof;
 FIG. 9 illustrates a fragmentary enlarged view of Detail Z thereof;
 FIG. 10 illustrates a fragmentary enlarged front view showing details of the thread portion thereof; and,
 FIG. 11 illustrates a fragmentary enlarged view of Detail C thereof.

The ornamental design that is claimed is shown in solid lines in the drawings. In the drawings, the broken lines depict environmental subject matter only and form no part of the claimed design.

1 Claim, 8 Drawing Sheets



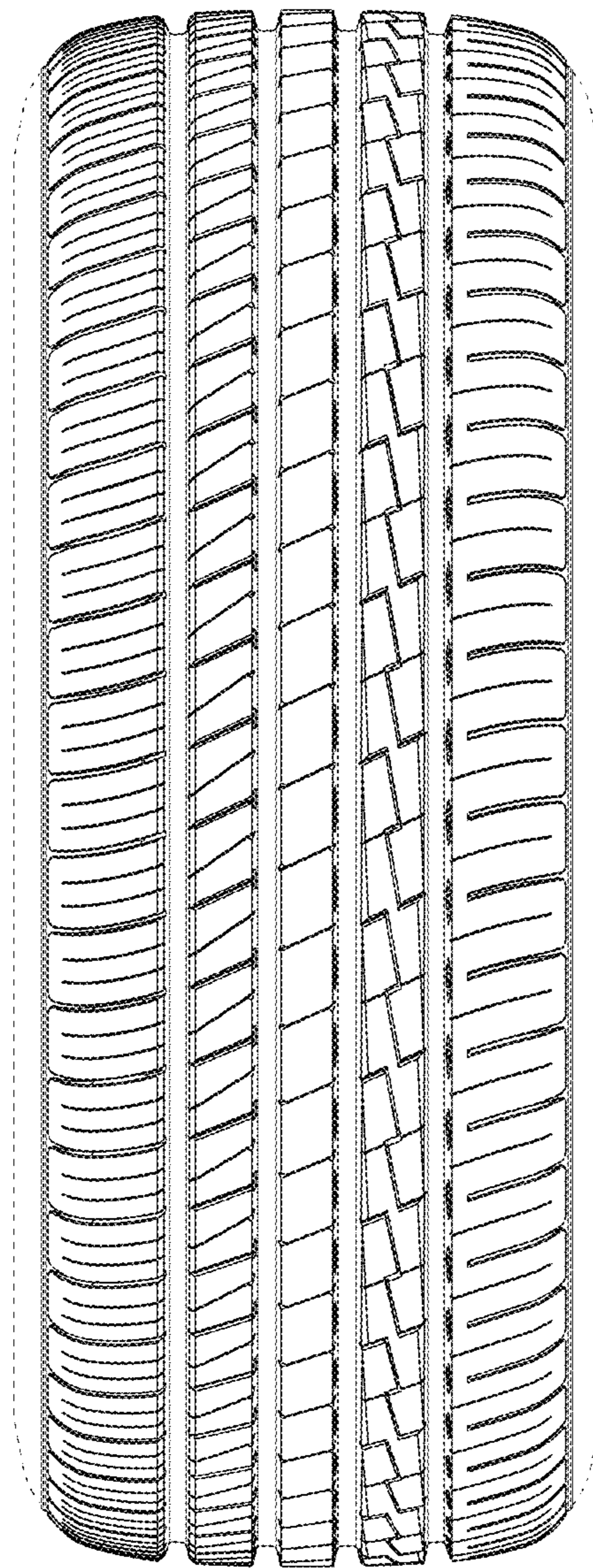


FIG. 1

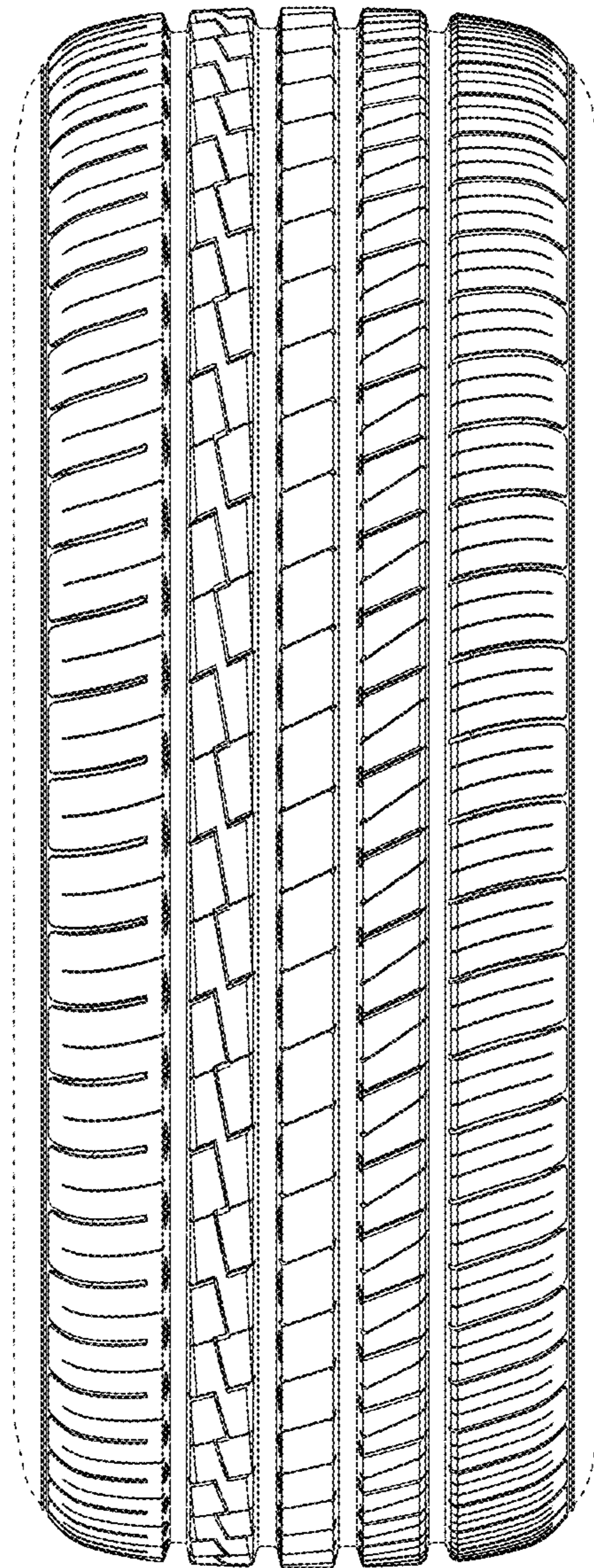


FIG. 2

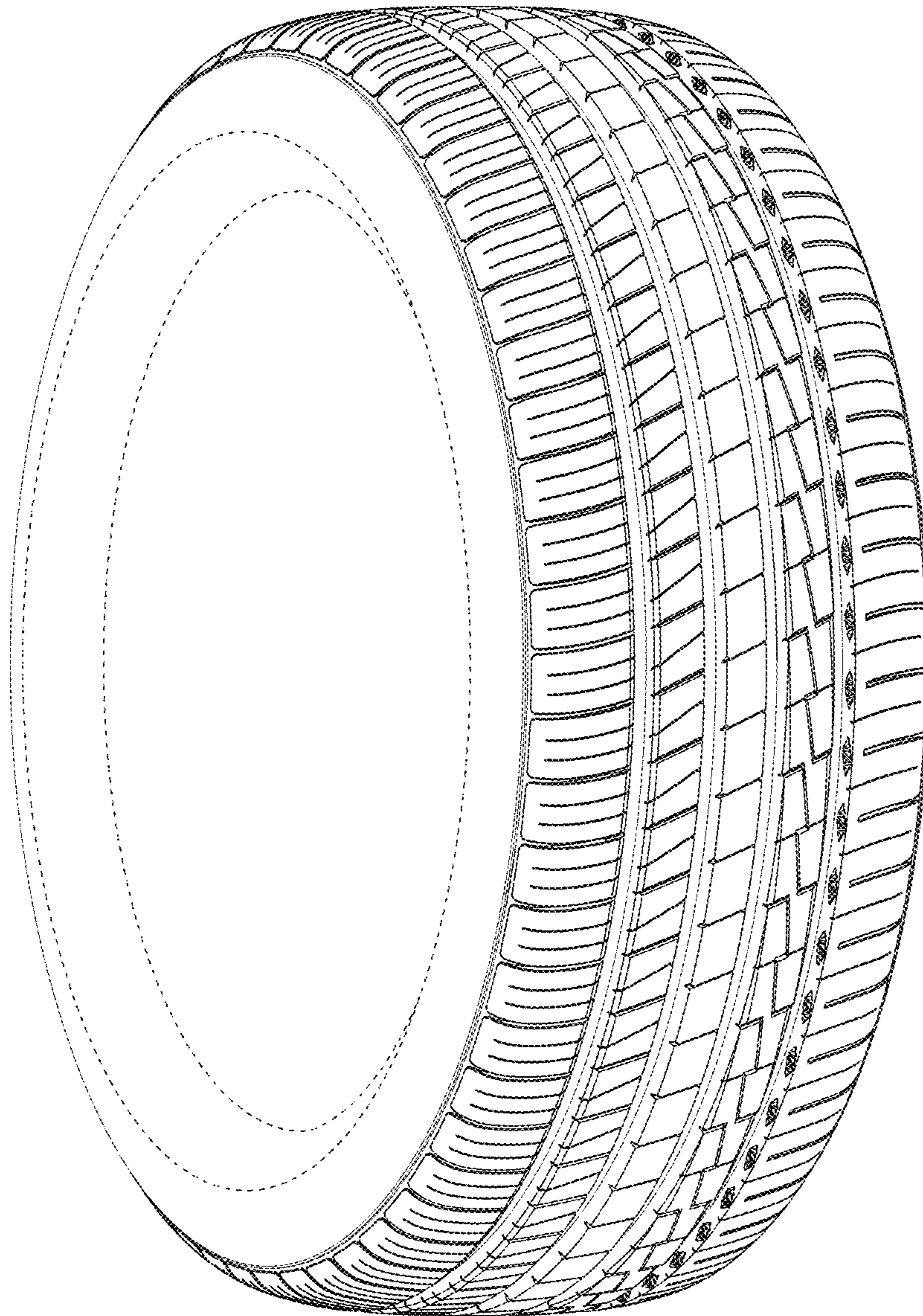


FIG. 3

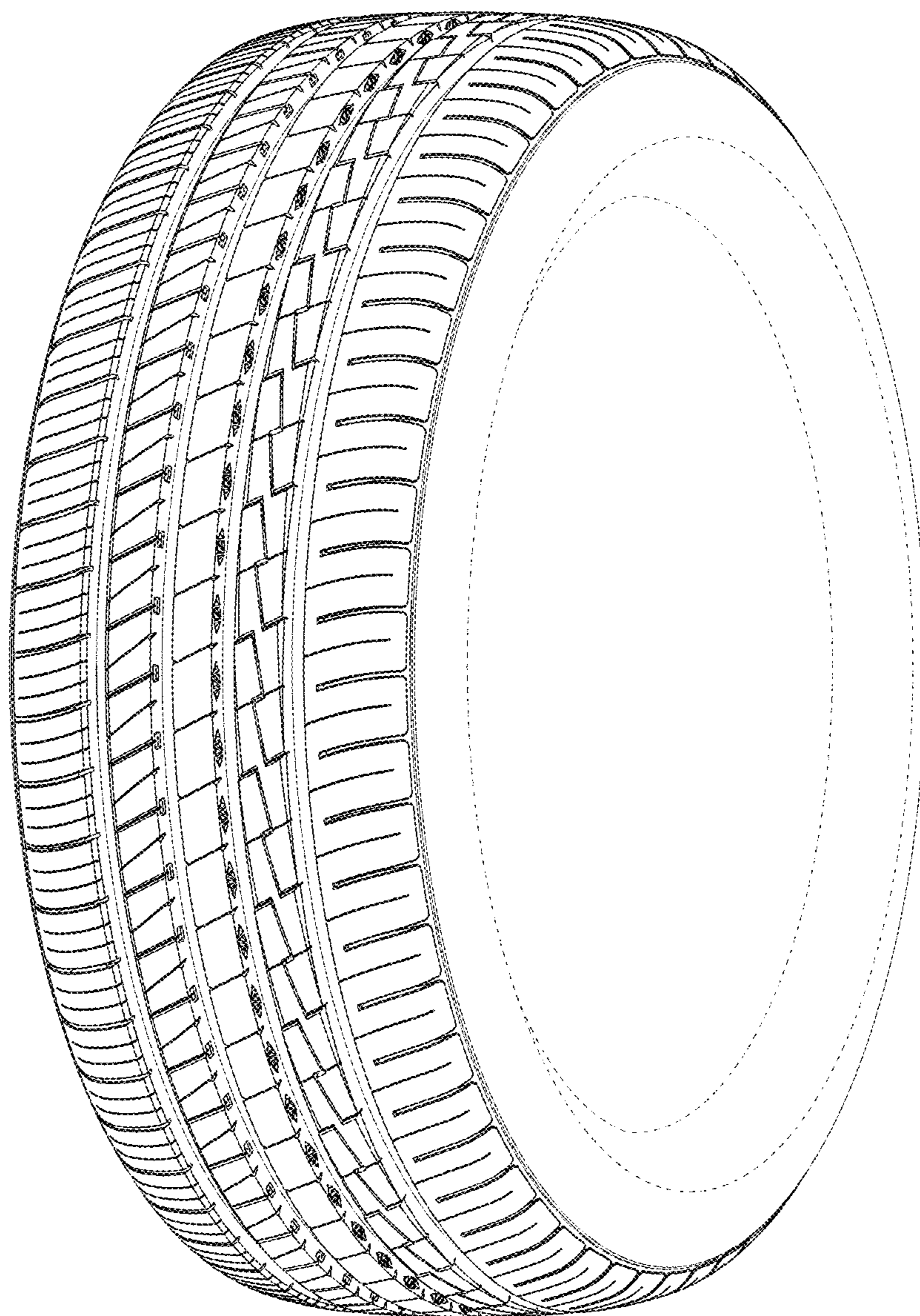


FIG. 4

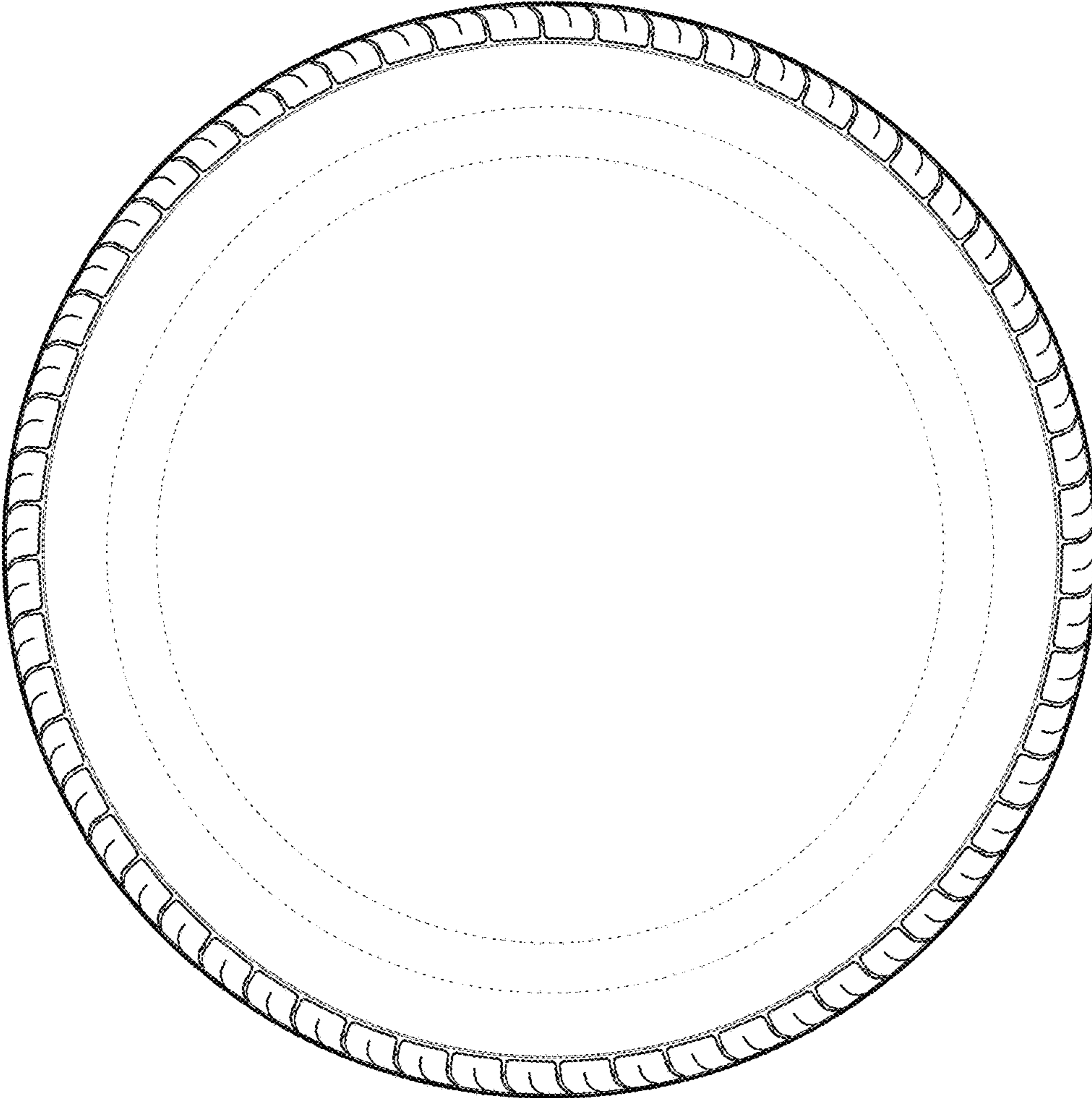


FIG. 5

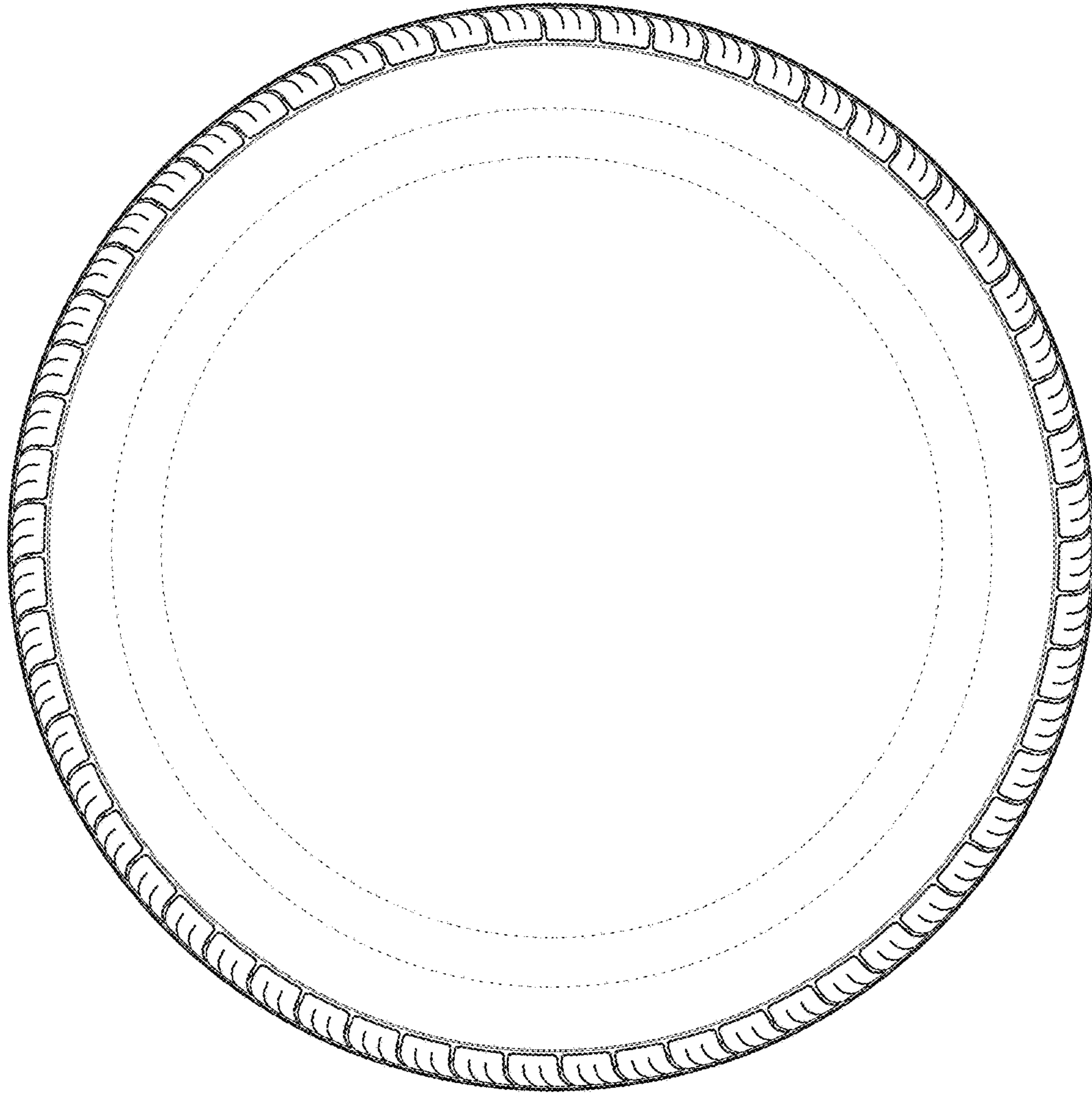


FIG. 6

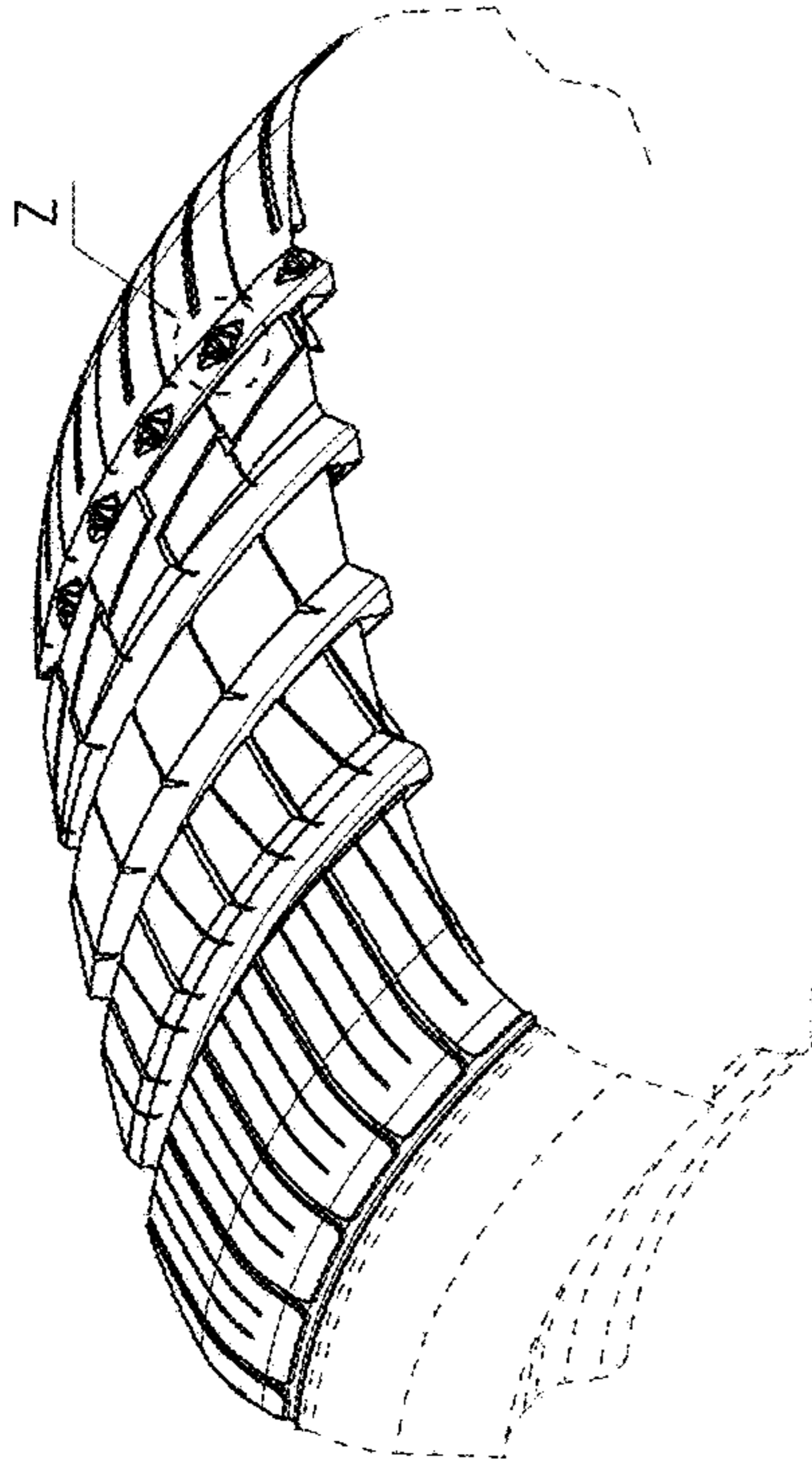


FIG. 7

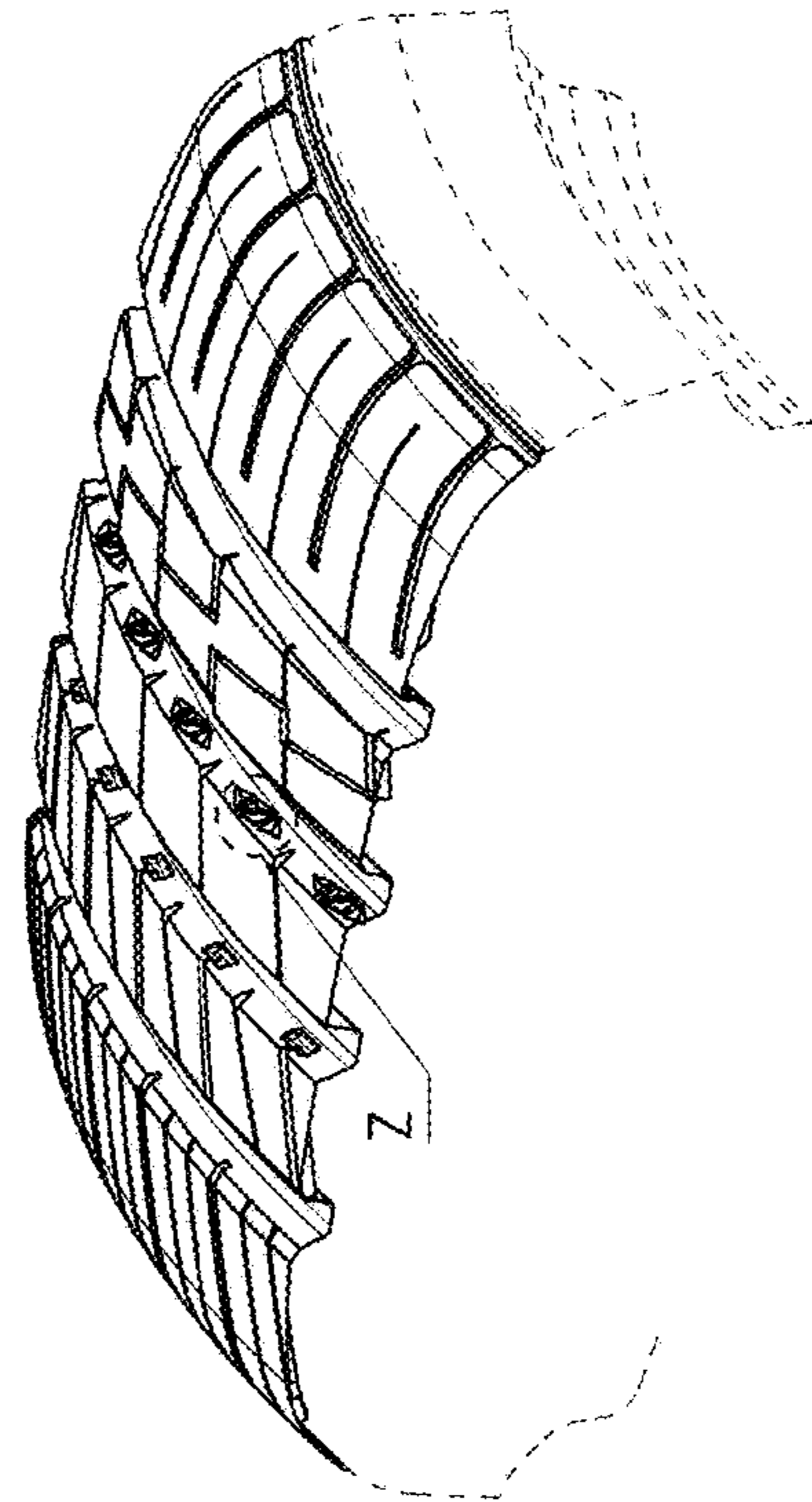


FIG. 8

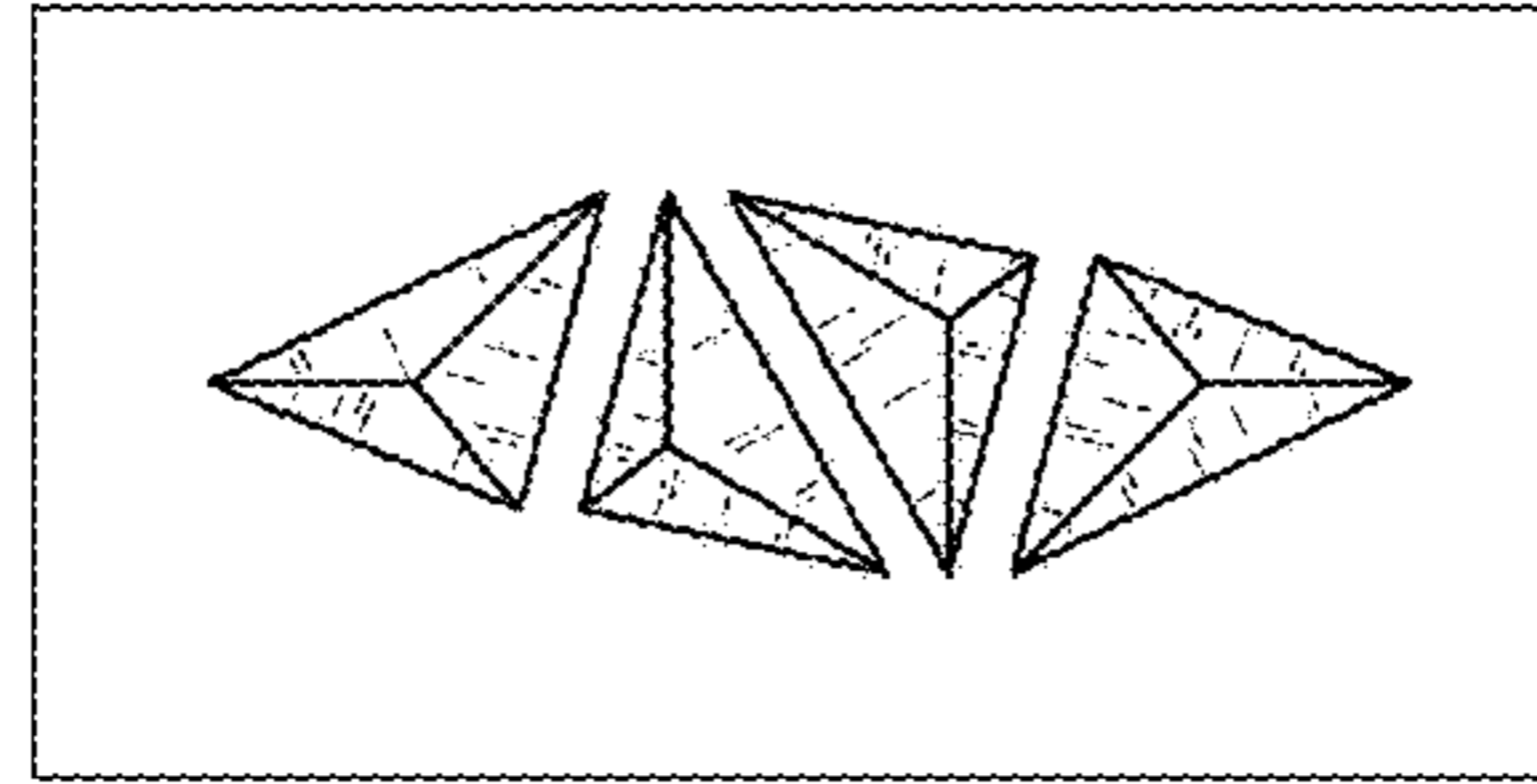


FIG. 9

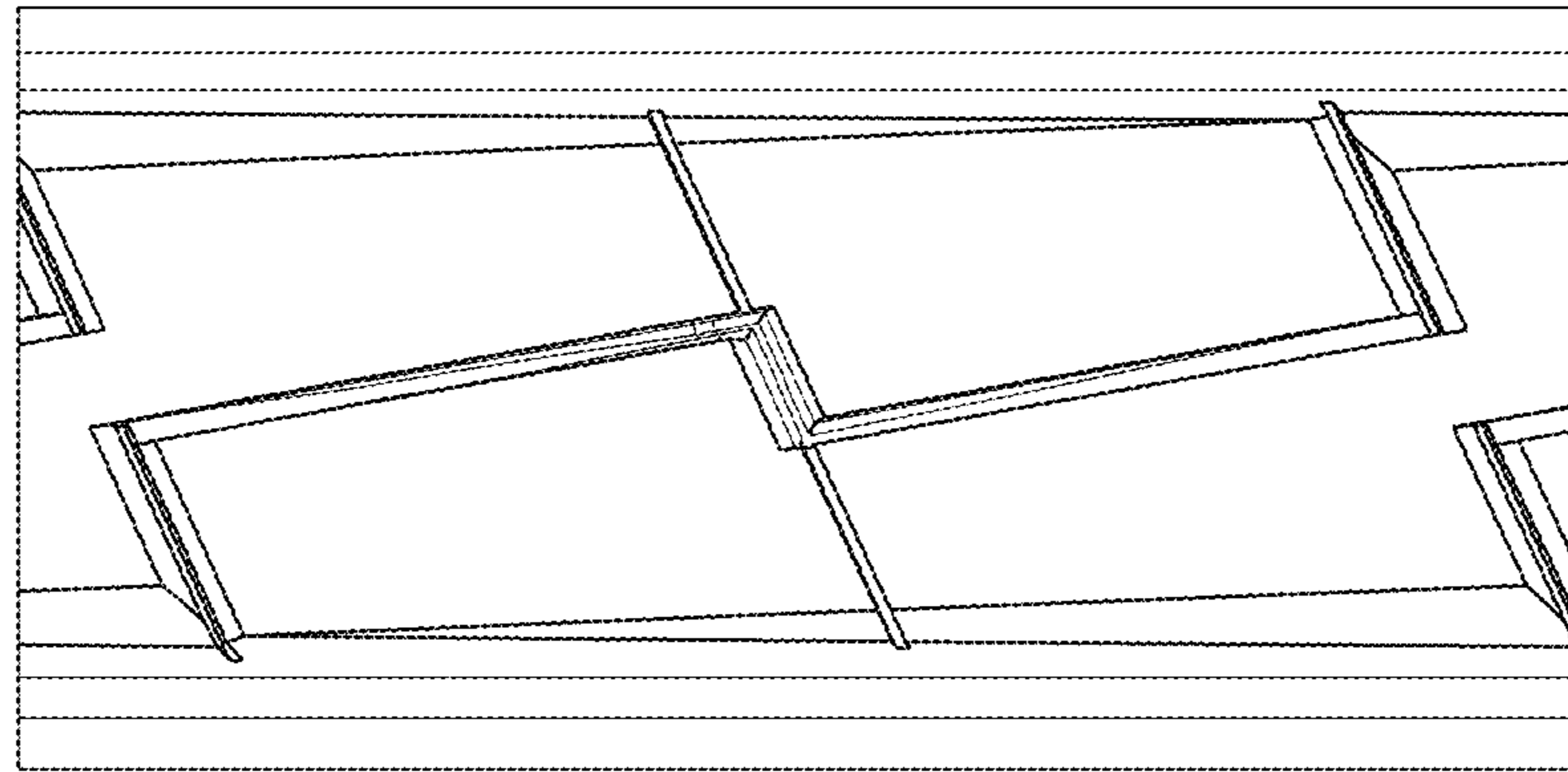


FIG. 11

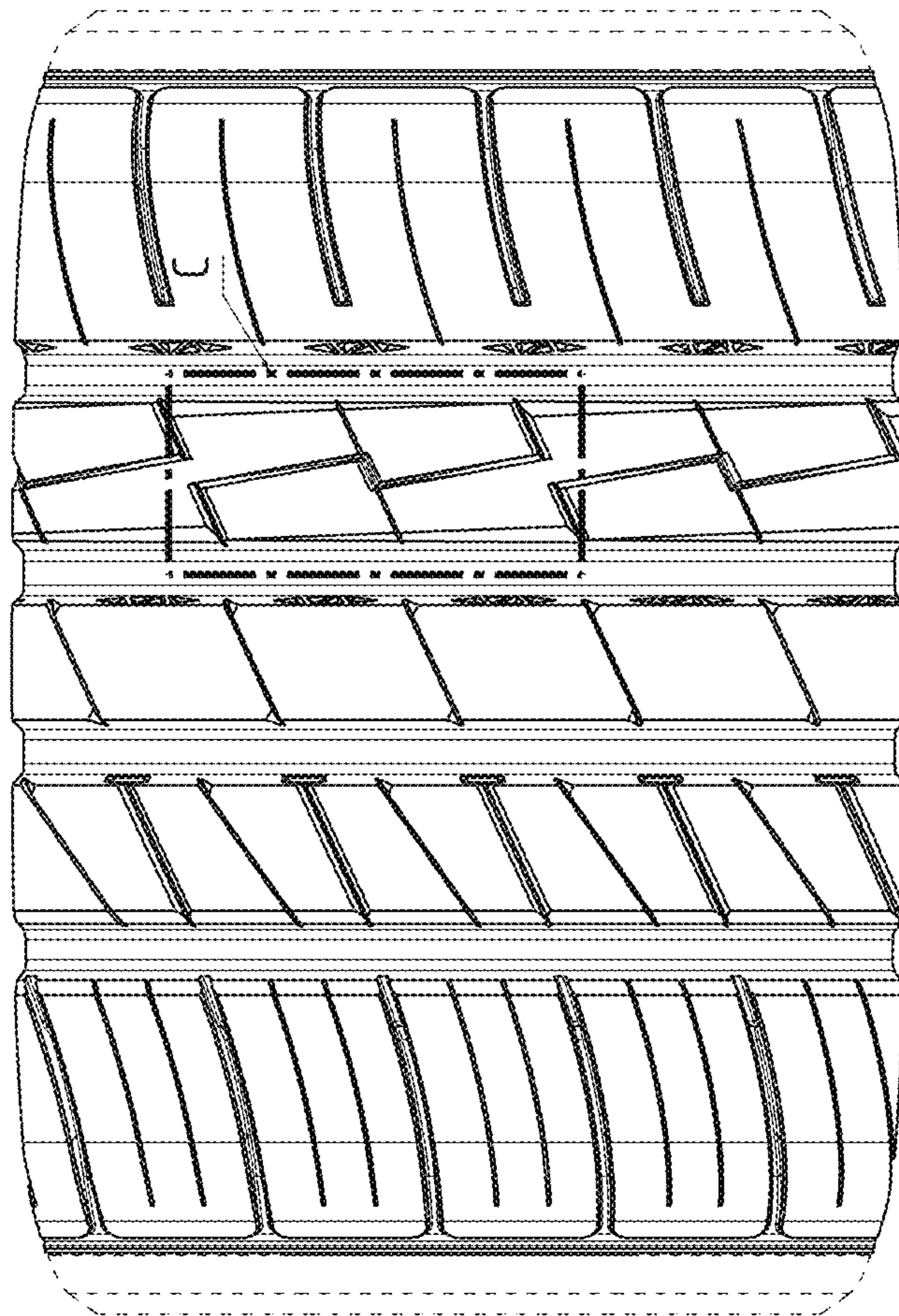


FIG. 10