



US00D820770S

(12) **United States Design Patent**
Väärsi

(10) **Patent No.:** **US D820,770 S**
(45) **Date of Patent:** **** Jun. 19, 2018**

(54) **WHEEL ASSEMBLY FOR VEHICLES**

(71) Applicant: **MILREM AS**, Tallinn (EE)

(72) Inventor: **Kuldar Väärsi**, Tallinn (EE)

(73) Assignee: **MILREM AS**, Tallinn (EE)

(**) Term: **15 Years**

(21) Appl. No.: **35/502,815**

(22) Filed: **Feb. 22, 2017**

(80) **Hague Agreement Data**

Int. Filing Date: **Feb. 22, 2017**

Int. Reg. No.: **DM/095537**

Int. Reg. Date: **Feb. 22, 2017**

Int. Reg. Pub. Date: **Apr. 14, 2017**

(51) **LOC (11) Cl.** **12-15**

(52) **U.S. Cl.**

USPC **D12/501; D8/375**

(58) **Field of Classification Search**

USPC **D12/204, 501; D8/375**

CPC **B60B 7/0013; B60B 7/04; B60B 2320/50;**

B60B 25/00; B60B 2900/572; B60B 7/01;

B60B 7/063; B60B 7/066

See application file for complete search history.

(56) **References Cited**

U.S. PATENT DOCUMENTS

D247,322 S * 2/1978 Burroughs D12/501

5,215,356 A * 6/1993 Lin B60B 33/0042

16/30

5,368,133 A * 11/1994 Yang B60B 33/0042

16/35 R

D421,941 S * 3/2000 Cheng D12/209

D506,969 S * 7/2005 Thompson D12/501

D568,575 S * 5/2008 Walstrom D34/31

8,863,354 B2 * 10/2014 Dayt B60B 7/008

16/45

D729,051 S * 5/2015 Fan D8/375

D785,511 S * 5/2017 Barenbrug D12/133

D792,198 S * 7/2017 Cmich D8/375

D807,784 S * 1/2018 Vaarsi D12/1

* cited by examiner

Primary Examiner — Michael A. Pratt

(74) *Attorney, Agent, or Firm* — Christopher M. Scherer;
DeWitt Ross & Stevens S.C.

(57) **CLAIM**

The ornamental design for a wheel assembly for vehicles, as shown and described.

DESCRIPTION

1. Wheel assembly for vehicles

Figure 1.1 is a perspective view of a wheel assembly for vehicles;

figure 1.2 is a left view of a wheel assembly for vehicles;

figure 1.3 is a right view of a wheel assembly for vehicles;

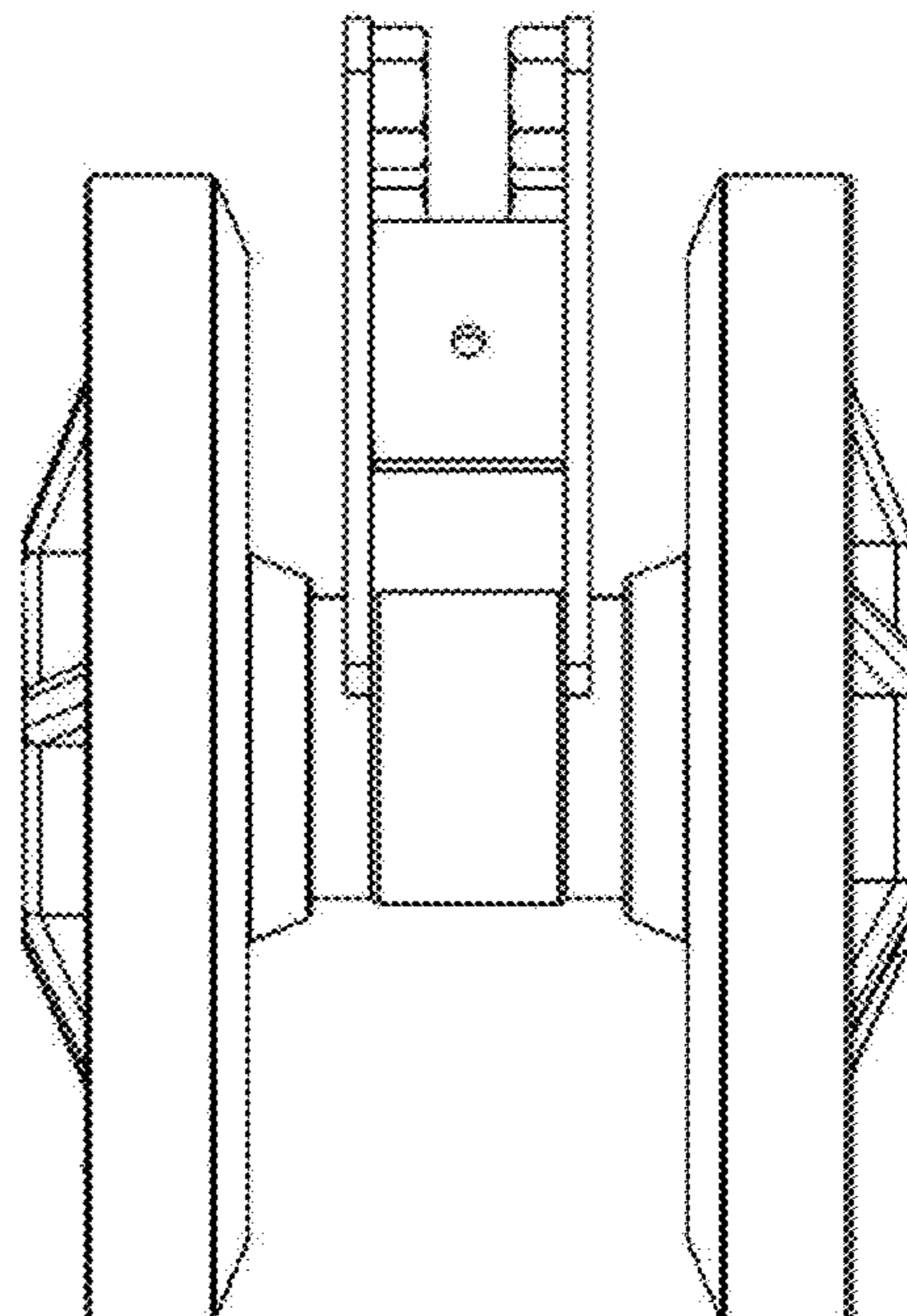
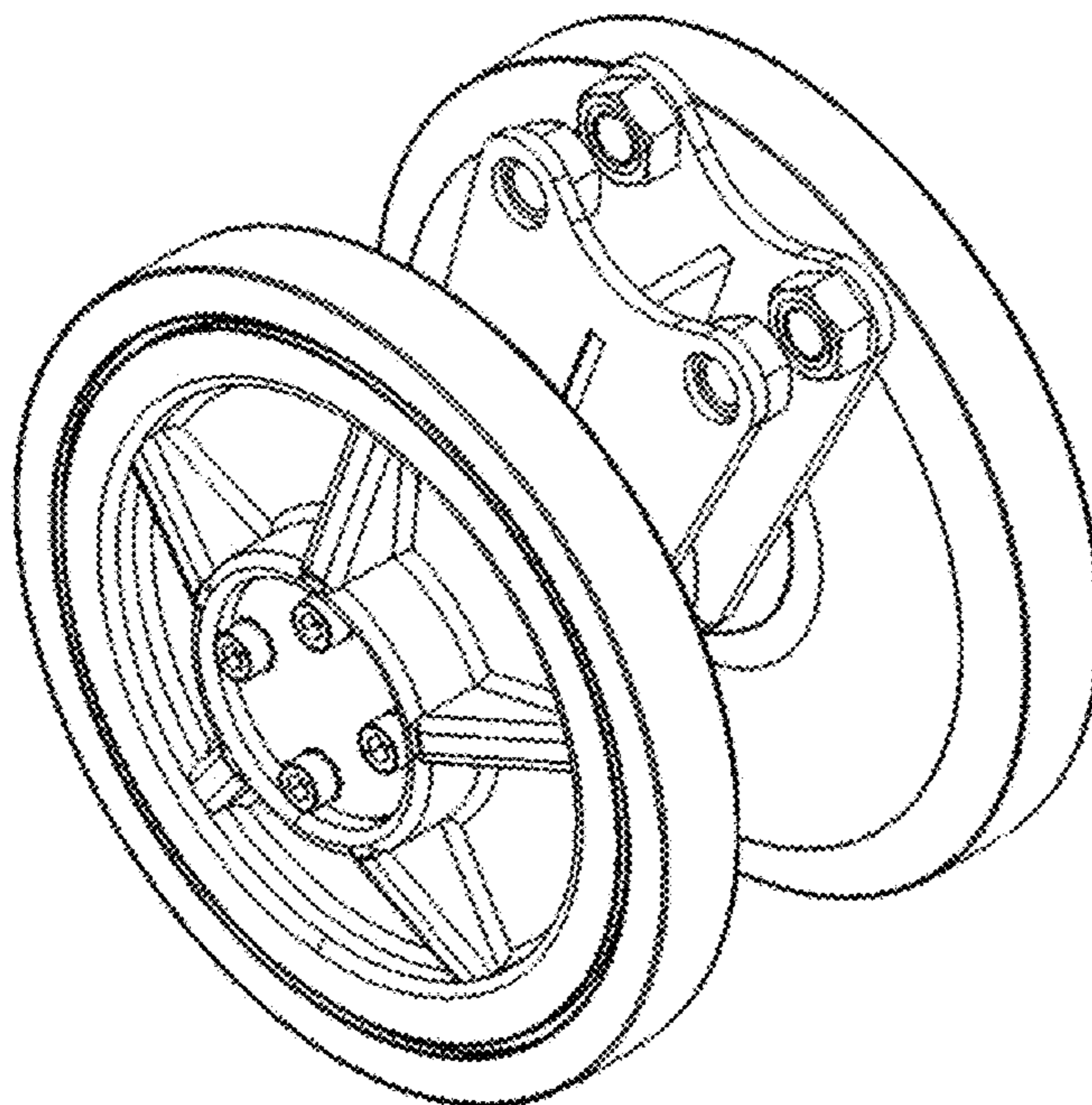
figure 1.4 is a front view of a wheel assembly for vehicles;

figure 1.5 is a back view of a wheel assembly for vehicles;

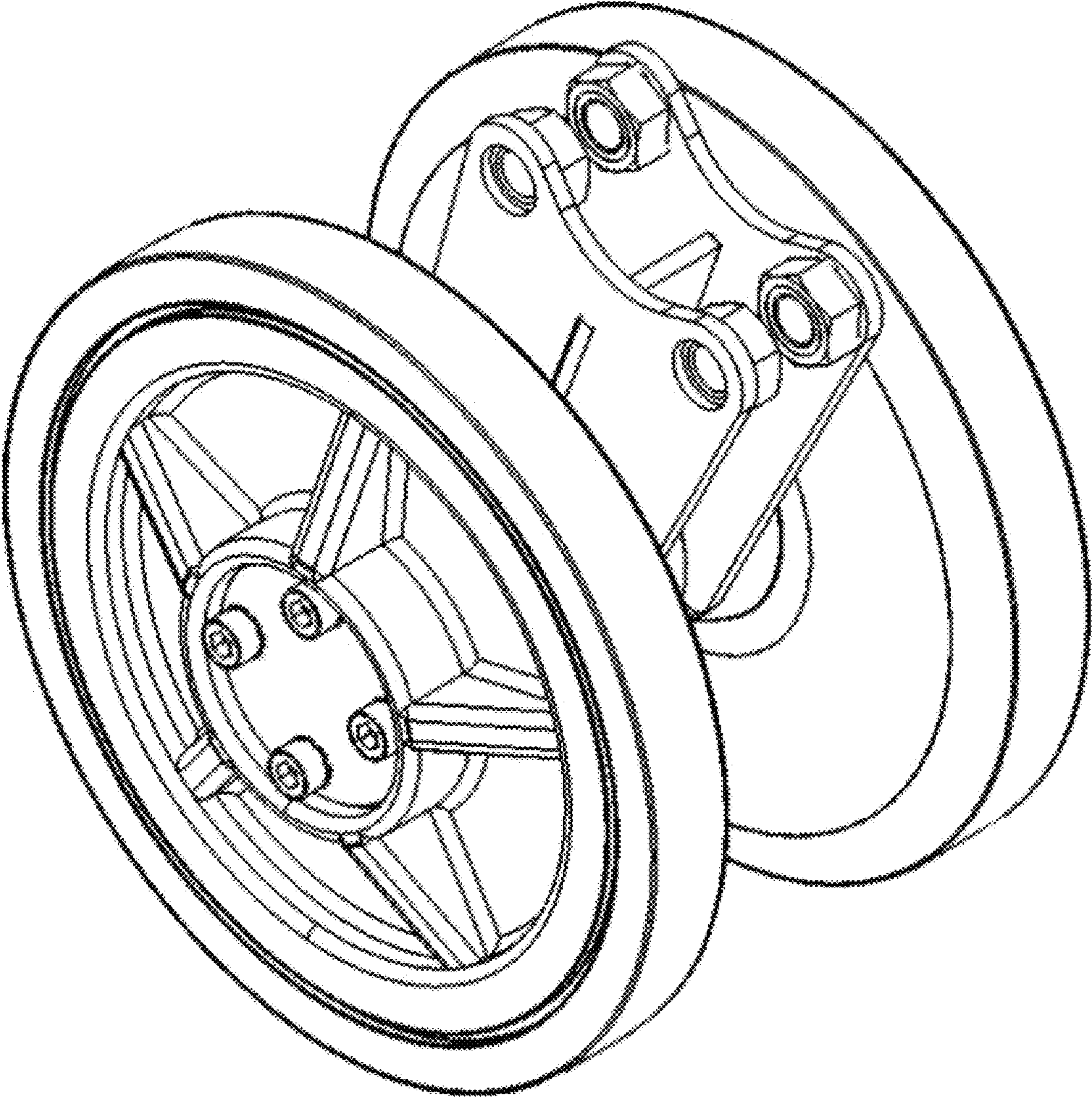
figure 1.6 is a top view of a wheel assembly for vehicles;

figure 1.7 is a bottom view of a wheel assembly for vehicles.

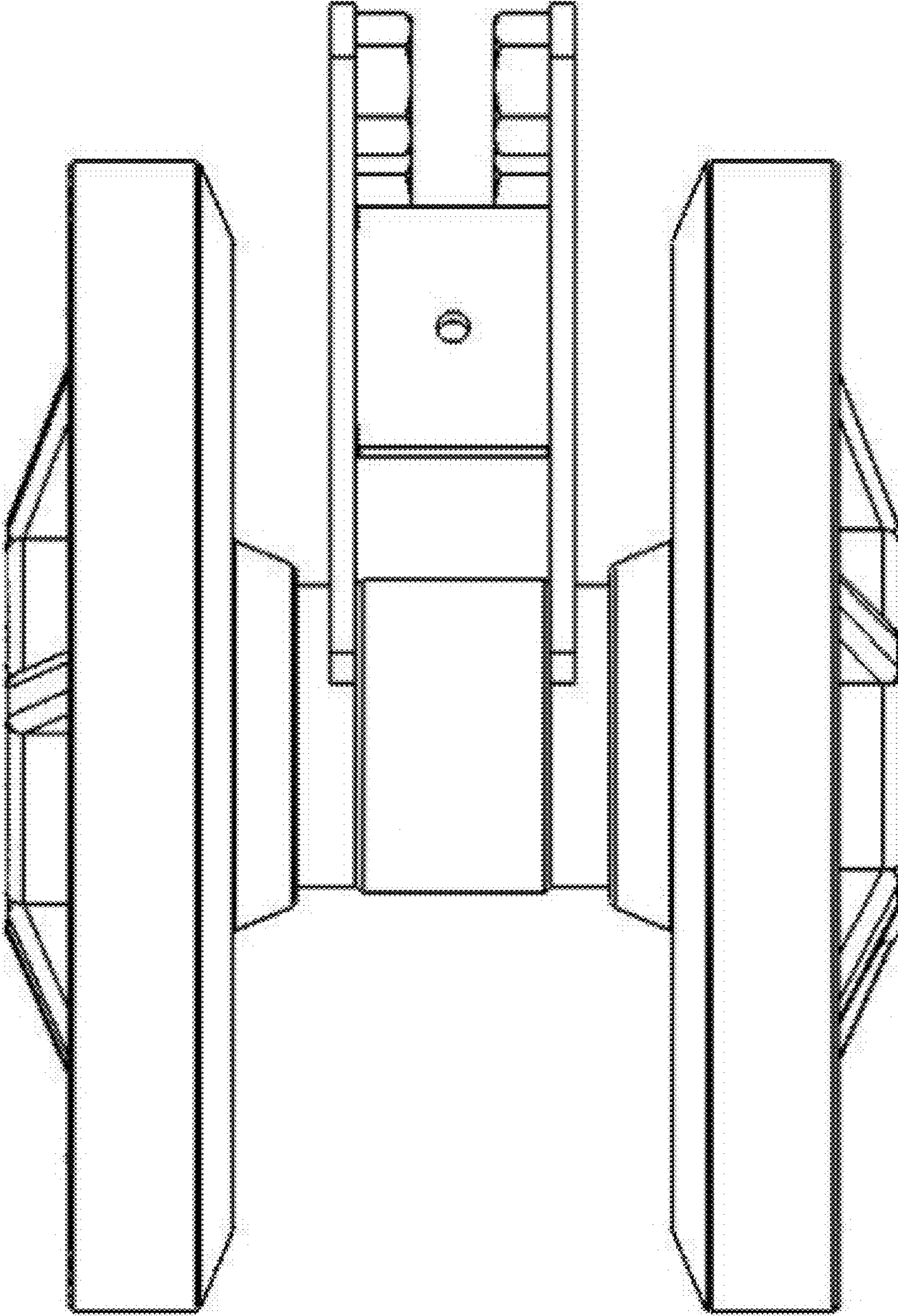
1 Claim, 7 Drawing Sheets



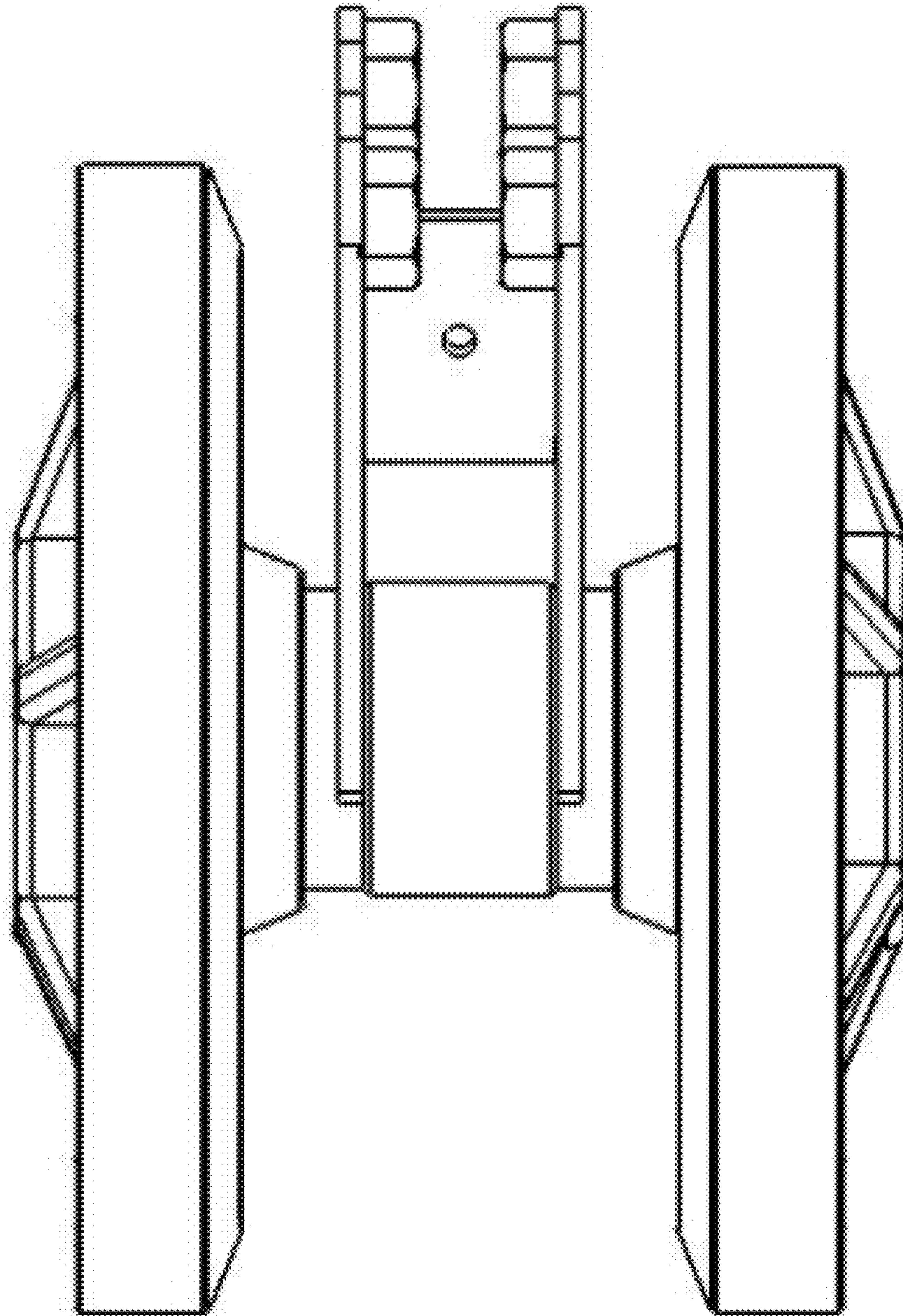
1.1



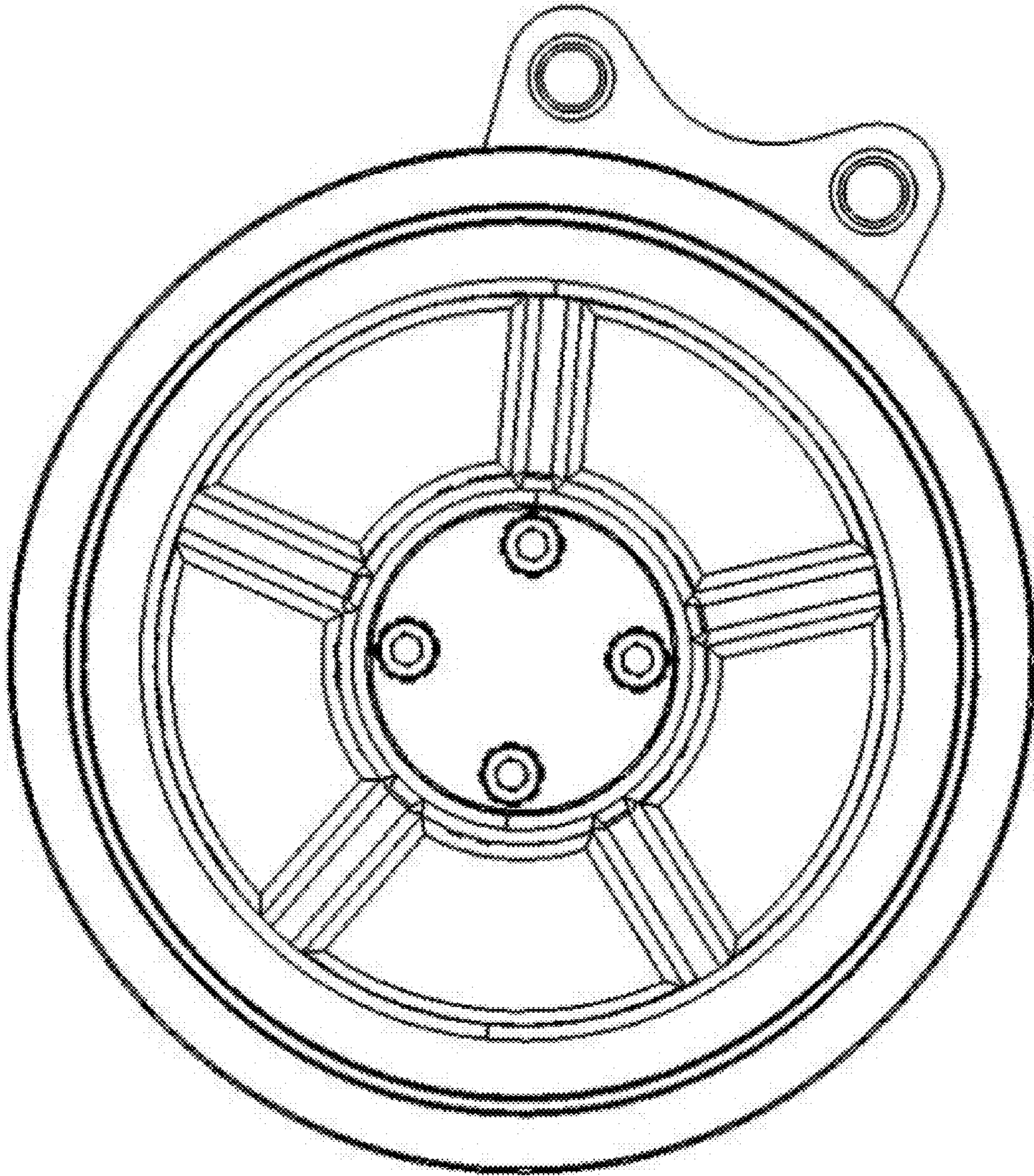
1.2



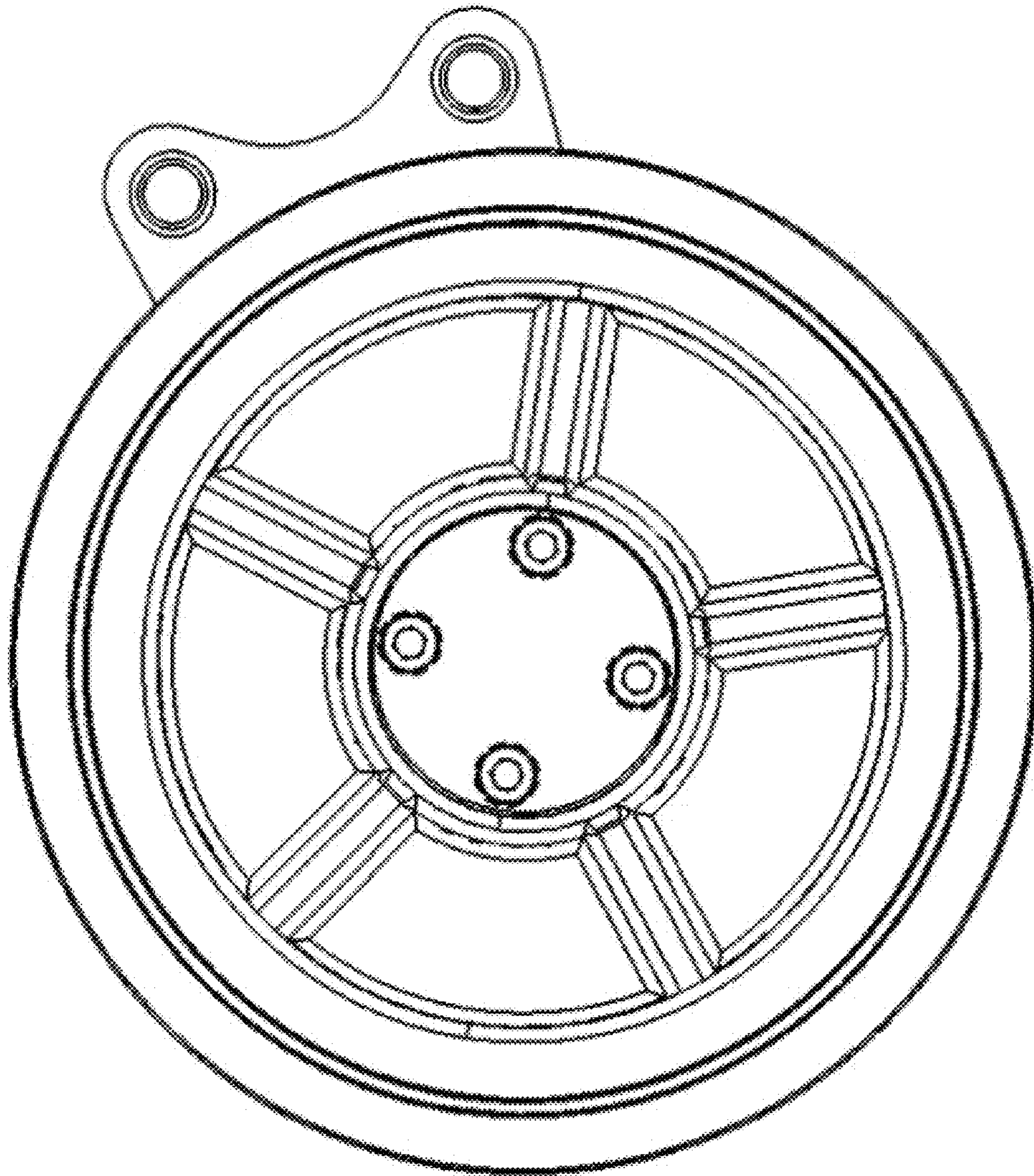
1.3



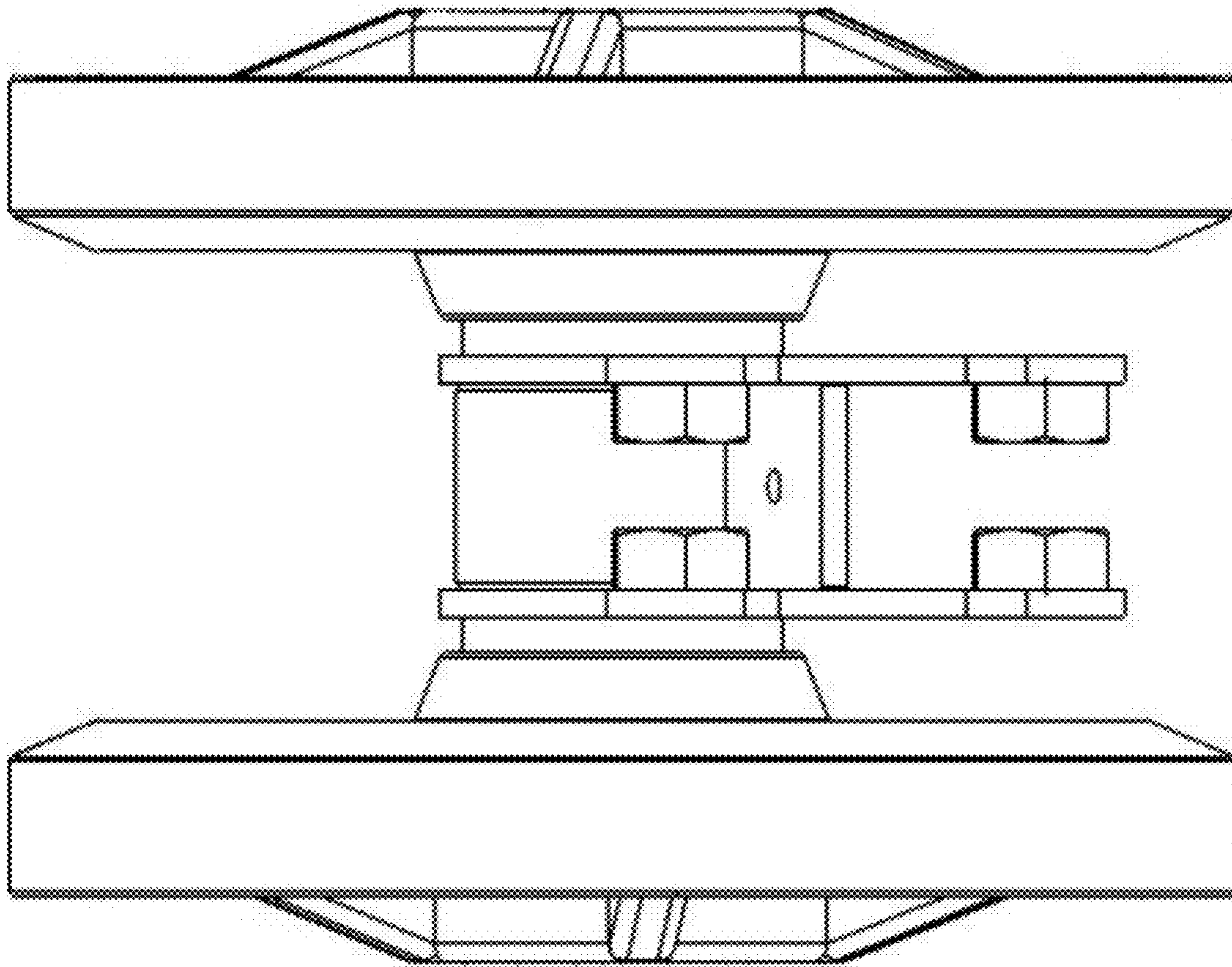
1.4



1.5



1.6



1.7

