



US00D820769S

(12) **United States Design Patent**
Winter et al.

(10) **Patent No.:** **US D820,769 S**
(45) **Date of Patent:** **** Jun. 19, 2018**

(54) **STABILIZER LINK**
(71) Applicant: **MEVOTECH LP**, Toronto (CA)
(72) Inventors: **Simon Winter**, Toronto (CA); **Jack McVeigh**, Toronto (CA); **Tyler Kearns**, Toronto (CA); **Rosan Luiz**, Toronto (CA)
(73) Assignee: **Mevotech LP**, Toronto (CA)
(**) Term: **15 Years**
(21) Appl. No.: **29/601,514**
(22) Filed: **Apr. 24, 2017**

5,615,967 A * 4/1997 Hellon F16C 11/0642
403/122
6,109,816 A * 8/2000 Iwasaki B60G 7/005
403/122
6,695,521 B2 * 2/2004 Kincaid B60G 7/005
403/132
6,908,251 B2 * 6/2005 Molenaar B60G 7/005
403/142
D521,825 S * 5/2006 Johnson D8/26
D561,575 S * 2/2008 Nishide D8/400
D566,630 S * 4/2008 Ortiz D12/159
D576,852 S * 9/2008 Lin D8/25
D686,113 S * 7/2013 Lin D12/114
D713,301 S * 9/2014 Haviland D12/159
8,870,202 B2 * 10/2014 Teijeiro Castro B60G 21/005
280/124.101
8,950,766 B2 * 2/2015 Schonen B60G 11/02
280/124.17

(Continued)

(30) **Foreign Application Priority Data**

Oct. 24, 2016 (CA) 171209

(51) **LOC (11) Cl.** **12-16**

(52) **U.S. Cl.**
USPC **D12/400**

(58) **Field of Classification Search**
USPC D12/88, 89, 90, 159, 160, 161, 169, 176,
D12/177, 400; D8/25, 400; 403/122,
403/133, 134, 135
CPC F16C 11/12; F16C 11/06; F16C 11/0604;
F16C 11/068; F16C 11/0695; B60G
21/0551

See application file for complete search history.

(56) **References Cited**

U.S. PATENT DOCUMENTS

2,648,997 A * 8/1953 Sawyer A01B 59/004
172/448
3,439,946 A * 4/1969 Gottschald B62D 7/20
403/59
3,786,695 A * 1/1974 Barrett, Jr. B64C 27/54
403/43
5,505,106 A * 4/1996 Herman B62D 17/00
384/276

FOREIGN PATENT DOCUMENTS

EP 2862733 A4 * 3/2016 B60G 21/0551

Primary Examiner — Ian Simmons

Assistant Examiner — Yolanda Robinson

(74) *Attorney, Agent, or Firm* — Kusner & Jaffe

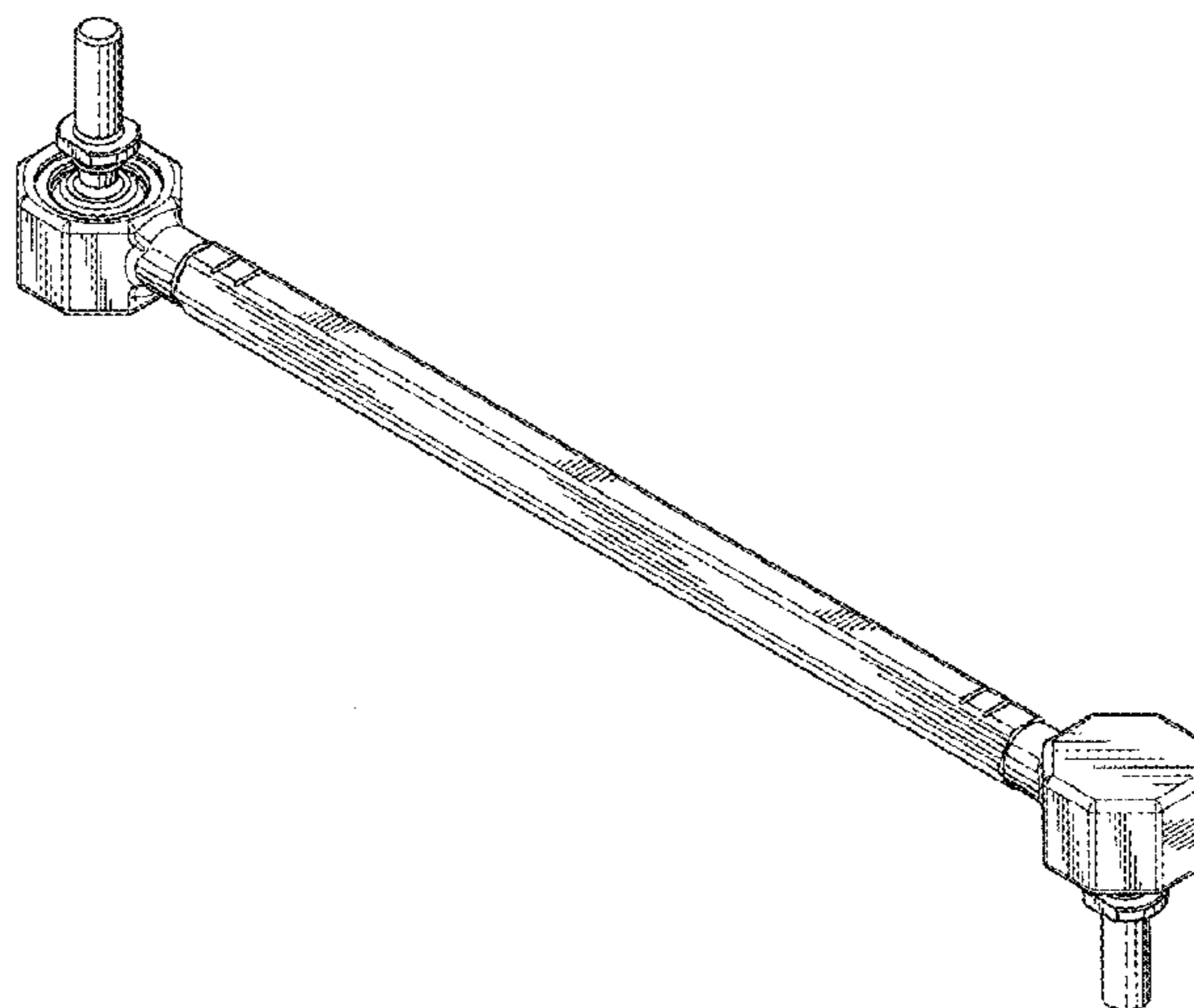
(57) **CLAIM**

The ornamental design for a stabilizer link, as shown and described.

DESCRIPTION

FIG. 1 is a top left isometric view of a stabilizer link, showing our design;
FIG. 2 is a right side view thereof;
FIG. 3 is a left side view thereof;
FIG. 4 is a bottom view thereof;
FIG. 5 is a top view thereof;
FIG. 6 is a front view thereof; and,
FIG. 7 is a rear view thereof.

1 Claim, 4 Drawing Sheets



(56)

References Cited

U.S. PATENT DOCUMENTS

D727,802	S *	4/2015	Sung	D12/159
9,393,850	B2 *	7/2016	Kuroda	B60G 21/0551
9,452,658	B2 *	9/2016	Smith	B60G 11/265
9,476,447	B2 *	10/2016	Schmidt	F16C 11/0633
D782,956	S *	4/2017	Scott	D12/400
D784,801	S *	4/2017	Nishide	D8/400
9,610,818	B2 *	4/2017	Mark	B60K 5/1241
2009/0238636	A1 *	9/2009	Howe	F16C 11/069 403/127
2011/0001350	A1 *	1/2011	Schmitz	B60G 9/003 301/124.1
2012/0146305	A1 *	6/2012	Julien	B60G 21/055 280/124.106
2012/0242056	A1 *	9/2012	Mosteiro Goyoaga ...	F16C 7/02 280/124.152
2016/0280037	A1 *	9/2016	Steinkamp	B60G 21/0551
2017/0276170	A1 *	9/2017	Nachbar	F16C 11/0695

* cited by examiner

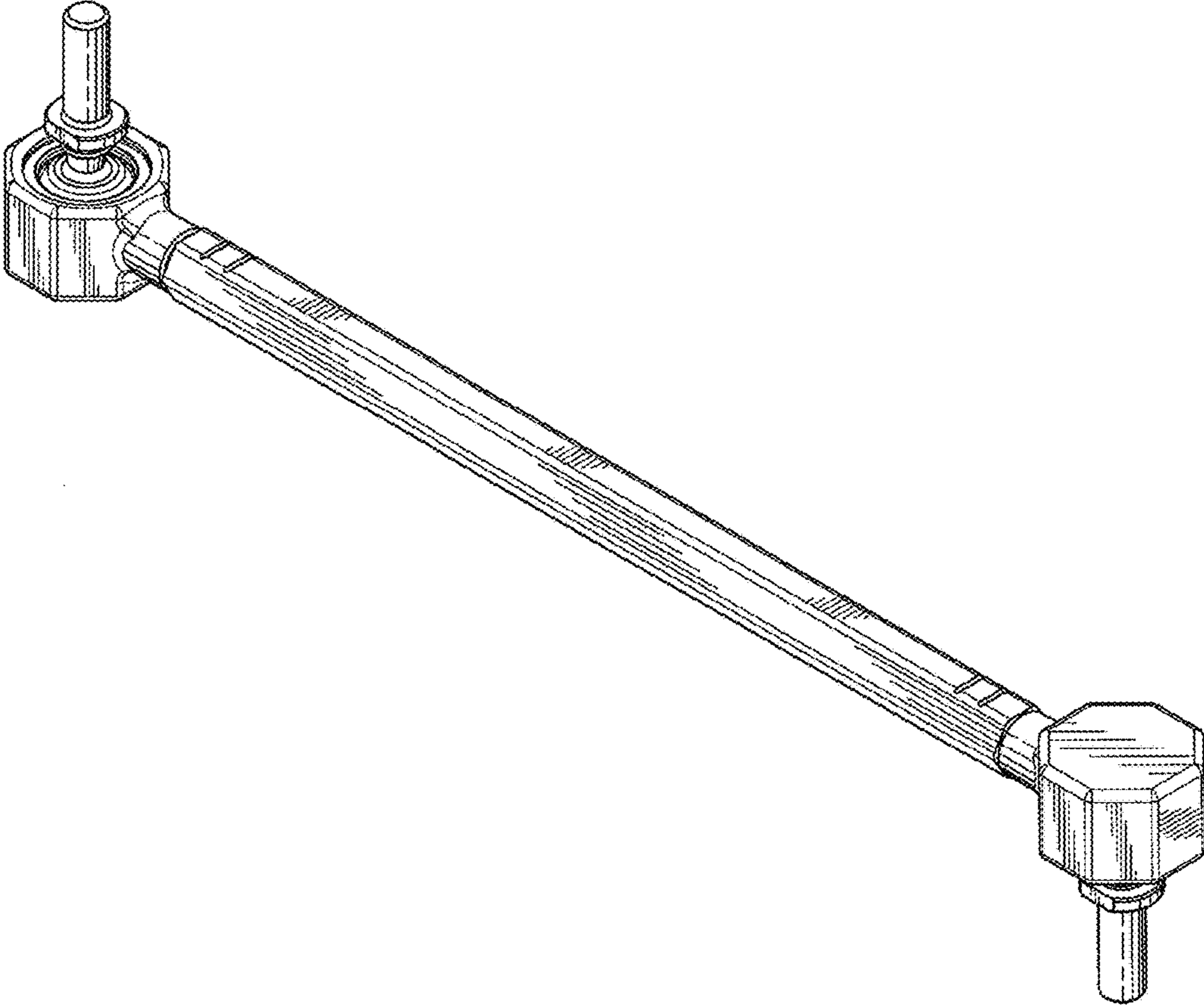


FIG.1

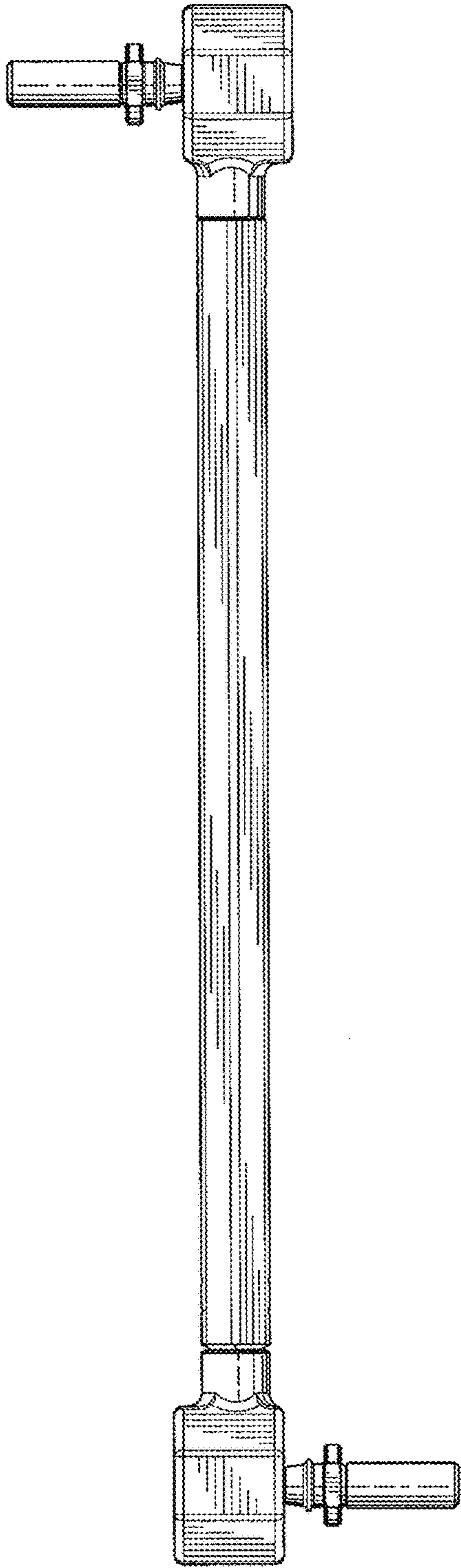


FIG. 2

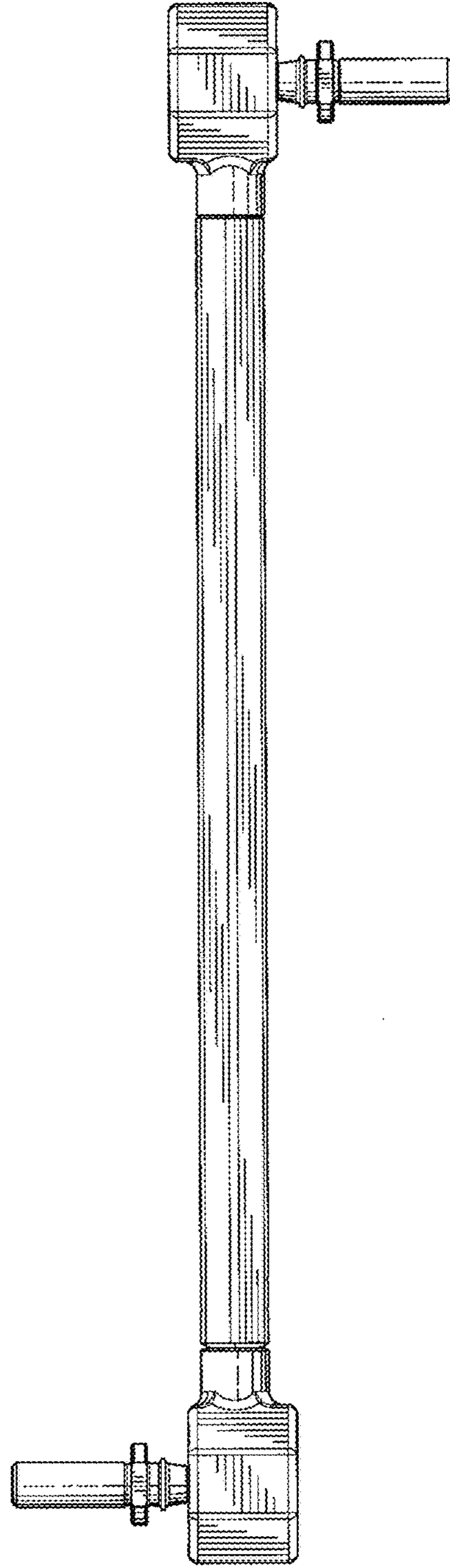


FIG. 3

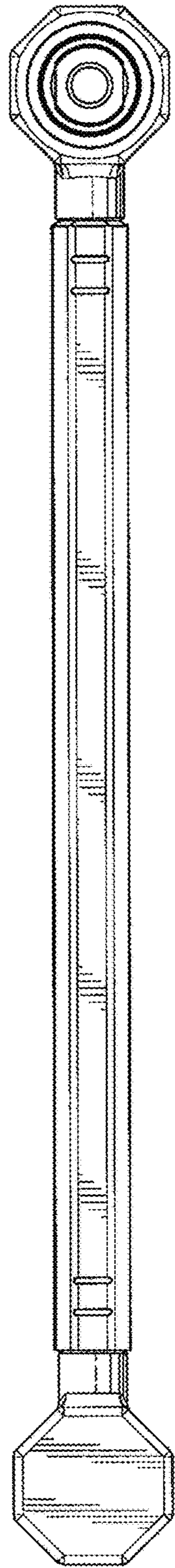


FIG. 4

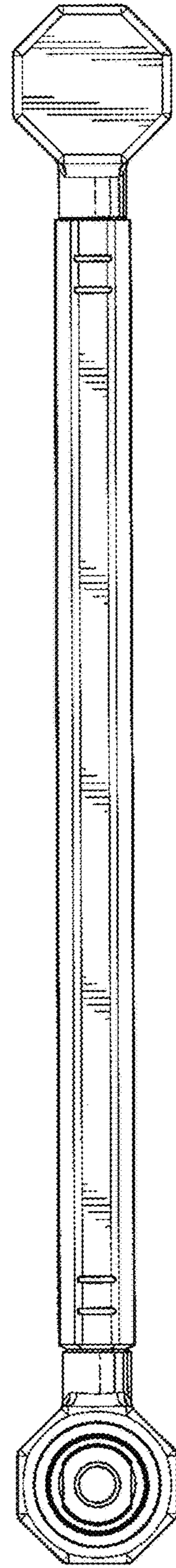


FIG. 5

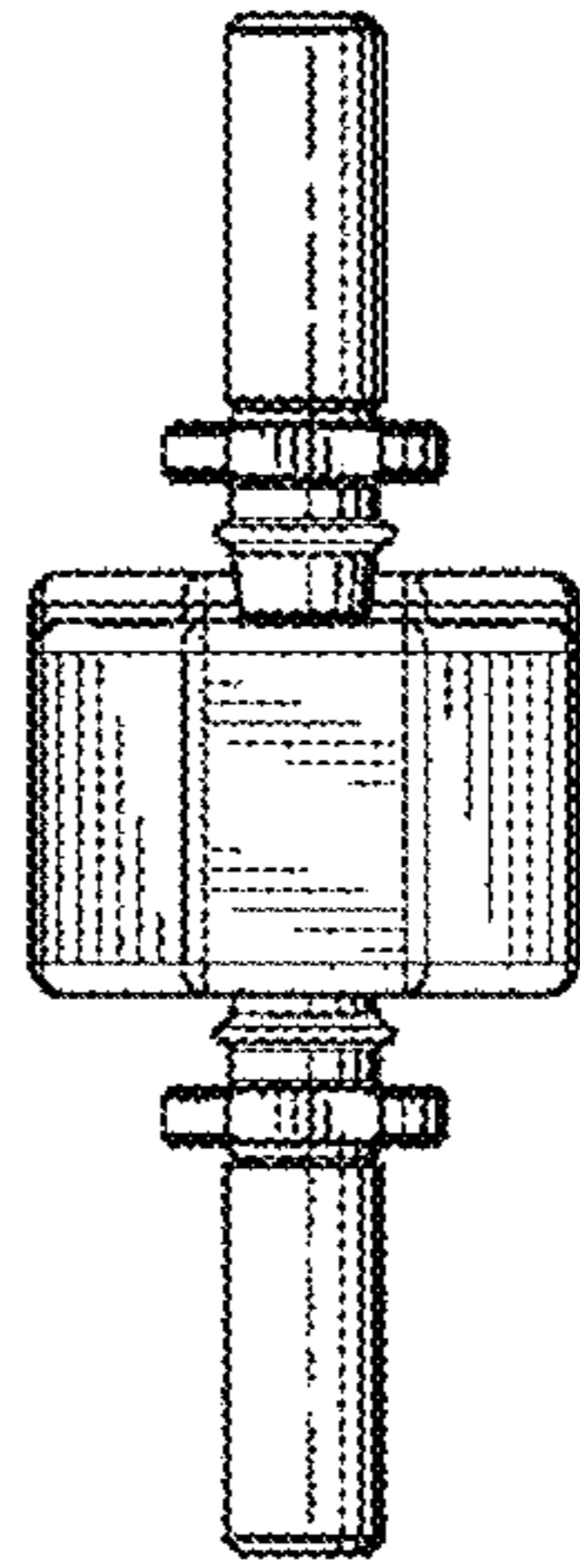


FIG. 6

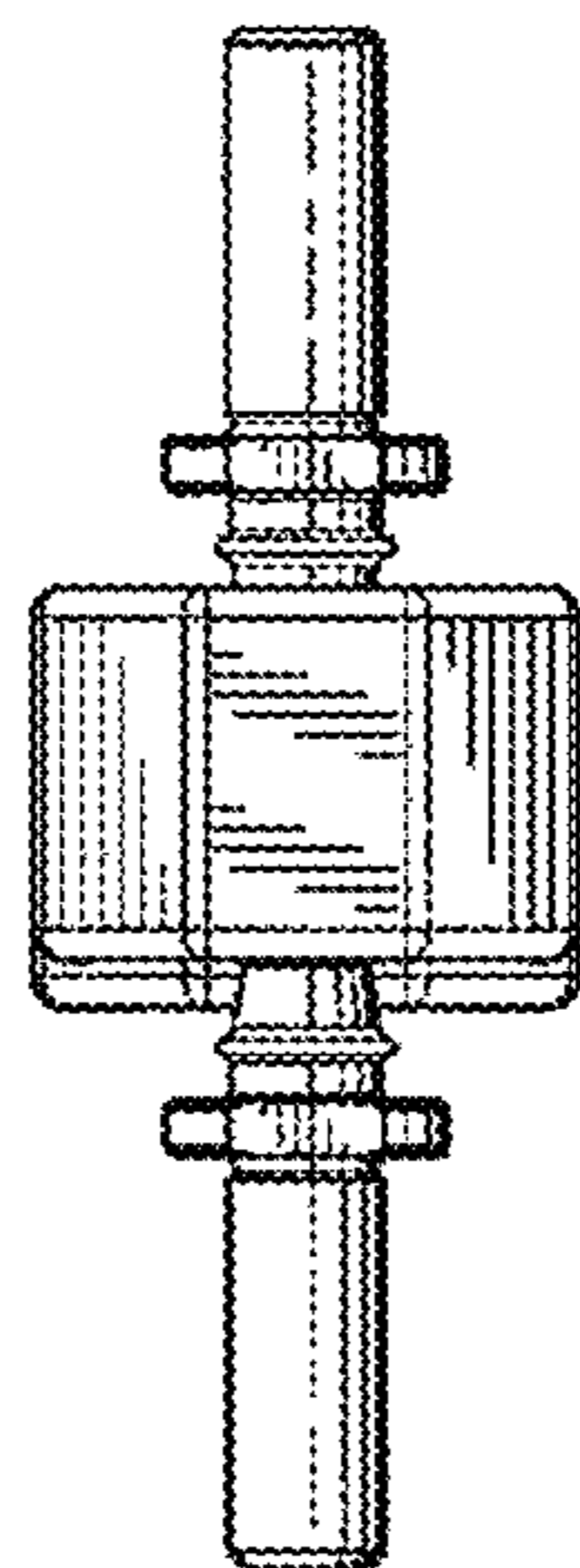


FIG. 7