



US00D820768S

(12) **United States Design Patent**  
**Wang et al.**

(10) **Patent No.:** **US D820,768 S**  
(45) **Date of Patent:** **\*\* Jun. 19, 2018**

- (54) **AERIAL VEHICLE**
- (71) Applicant: **SZ DJI Technology Co., Ltd.**,  
Shenzhen, Guangdong (CN)
- (72) Inventors: **Jiadi Wang**, Shenzhen (CN);  
**Yongsheng Zhang**, Shenzhen (CN);  
**Xingyuan Chen**, Shenzhen (CN);  
**Liang Sun**, Shenzhen (CN)
- (73) Assignee: **SZ DJI Technology Co., Ltd.**,  
Shenzhen (CN)
- (\*\*) Term: **15 Years**
- (21) Appl. No.: **29/547,032**
- (22) Filed: **Nov. 30, 2015**
- (51) **LOC (11) Cl.** ..... **12-07**
- (52) **U.S. Cl.**  
USPC ..... **D12/328**
- (58) **Field of Classification Search**  
USPC ..... D12/16.1, 319–324, 326–345; D21/436,  
D21/441, 443, 444, 446, 447, 448, 449,  
D21/450, 451, 452, 453  
CPC ..... B64C 1/062; B64C 39/024; B64C 27/08;  
B64C 29/00; B64C 39/00; B64C 23/00;  
B64C 27/20  
See application file for complete search history.

(56) **References Cited**

**U.S. PATENT DOCUMENTS**

|           |    |   |         |            |       |             |
|-----------|----|---|---------|------------|-------|-------------|
| D465,196  | S  | * | 11/2002 | Dammar     | ..... | D12/328     |
| D751,490  | S  | * | 3/2016  | Chen       | ..... | D12/16.1    |
| D751,491  | S  | * | 3/2016  | Chen       | ..... | D12/16.1    |
| D763,133  | S  | * | 8/2016  | Ketcher    | ..... | D12/16.1    |
| D763,134  | S  | * | 8/2016  | Wang       | ..... | D12/16.1    |
| 9,409,656 | B2 | * | 8/2016  | Ohtomo     | ..... | B64D 47/08  |
| D768,540  | S  | * | 10/2016 | Ji         | ..... | D12/16.1    |
| D770,940  | S  | * | 11/2016 | Taylor     | ..... | D12/16.1    |
| 9,527,588 | B1 | * | 12/2016 | Rollefstad | ..... | B64C 39/024 |

|              |    |   |         |             |       |                          |
|--------------|----|---|---------|-------------|-------|--------------------------|
| D777,059     | S  | * | 1/2017  | Zhang       | ..... | D12/16.1                 |
| D780,062     | S  | * | 2/2017  | Wu          | ..... | D12/16.1                 |
| 2015/0232181 | A1 | * | 8/2015  | Oakley      | ..... | B64C 39/024<br>701/2     |
| 2015/0266577 | A1 | * | 9/2015  | Jones       | ..... | G05D 1/102<br>701/3      |
| 2015/0344136 | A1 | * | 12/2015 | Dahlstrom   | ..... | B64C 39/024<br>701/3     |
| 2016/0001879 | A1 | * | 1/2016  | Johannesson | ..... | B64C 27/50<br>416/142    |
| 2016/0016664 | A1 | * | 1/2016  | Basuni      | ..... | B64C 39/024<br>244/17.13 |
| 2016/0122016 | A1 | * | 5/2016  | Mintchev    | ..... | B64C 39/024<br>244/17.23 |

(Continued)

*Primary Examiner* — Robert M. Spear  
*Assistant Examiner* — Marissa J Cash  
(74) *Attorney, Agent, or Firm* — Sterne, Kessler,  
Goldstein & Fox P.L.L.C.

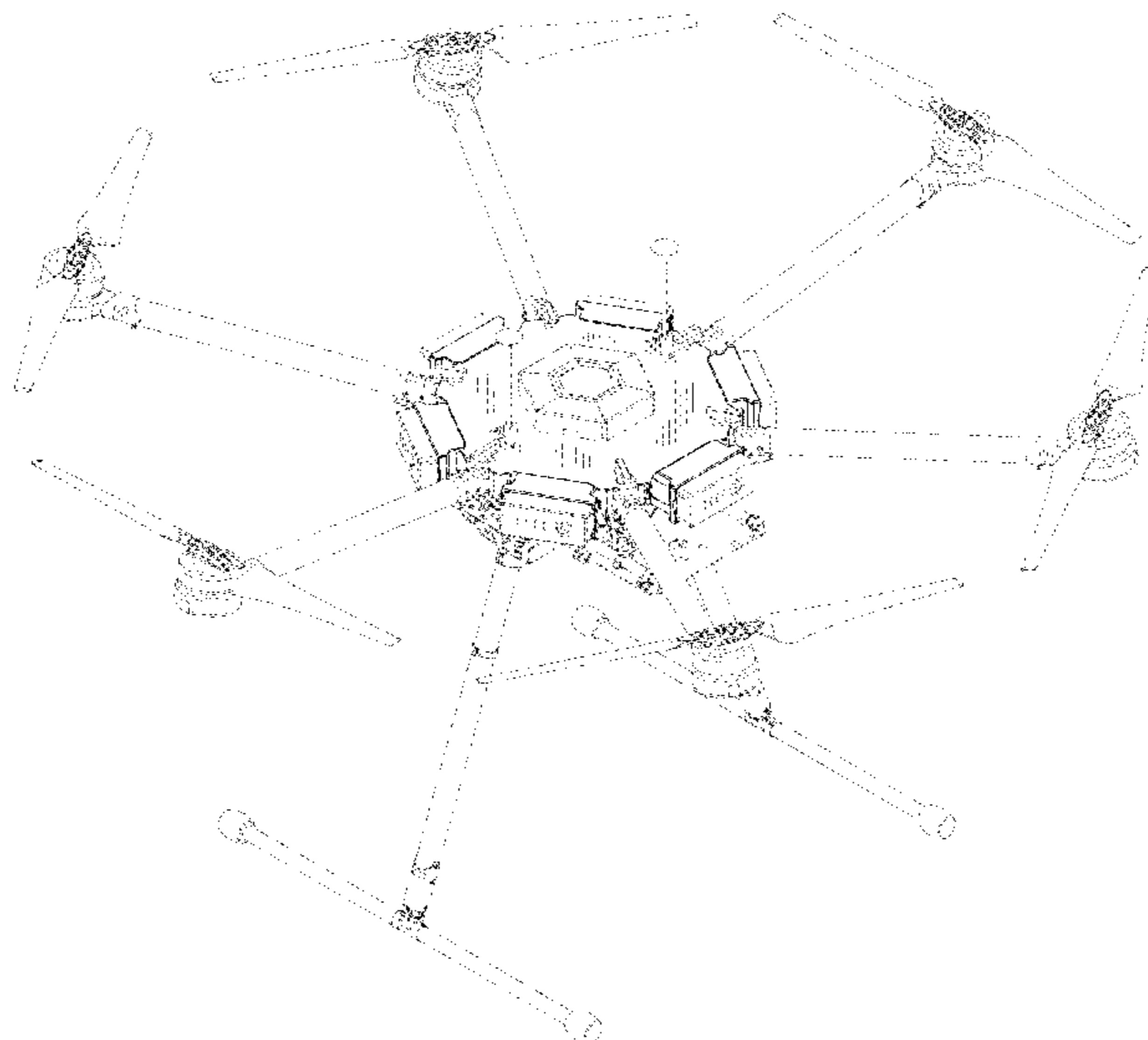
(57) **CLAIM**

The ornamental design for an aerial vehicle, as shown and described.

**DESCRIPTION**

FIG. 1 is a top front perspective view of an aerial vehicle showing the claimed design;  
FIG. 2 is a rear view thereof;  
FIG. 3 is a front view thereof;  
FIG. 4 is a left side view thereof;  
FIG. 5 is a right side view thereof;  
FIG. 6 is a top view thereof;  
FIG. 7 is a bottom view thereof;  
FIG. 8 is a top front perspective view thereof in an alternative configuration; and,  
FIG. 9 is a top front perspective view thereof in an alternative configuration.  
The broken lines in the figures show portions of the aerial vehicle that form no part of the claimed design.

**1 Claim, 9 Drawing Sheets**



(56)

**References Cited**

U.S. PATENT DOCUMENTS

2016/0144954 A1\* 5/2016 Daigle ..... B64C 39/024  
244/17.23  
2016/0299504 A1\* 10/2016 Hsiao ..... G05D 1/102  
2016/0313736 A1\* 10/2016 Schultz ..... B64D 47/08  
2016/0340028 A1\* 11/2016 Datta ..... B64C 39/024  
2016/0347443 A1\* 12/2016 Lee ..... B64C 39/024  
2016/0376014 A1\* 12/2016 Alnafisah ..... B64C 39/024  
244/39  
2016/0376031 A1\* 12/2016 Michalski ..... B64F 1/36  
701/15  
2017/0029099 A1\* 2/2017 Chen ..... B64C 27/08

\* cited by examiner

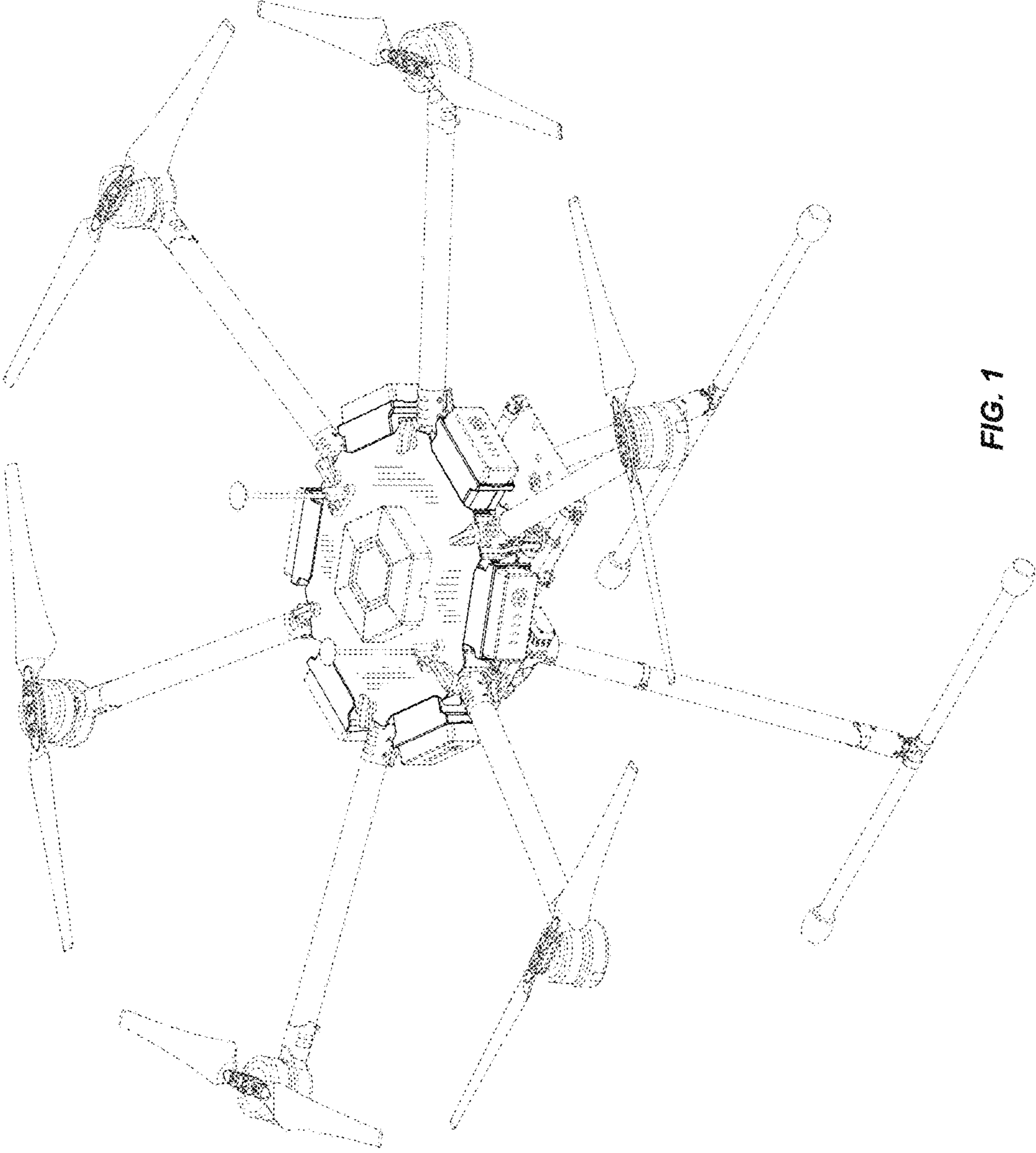


FIG. 1

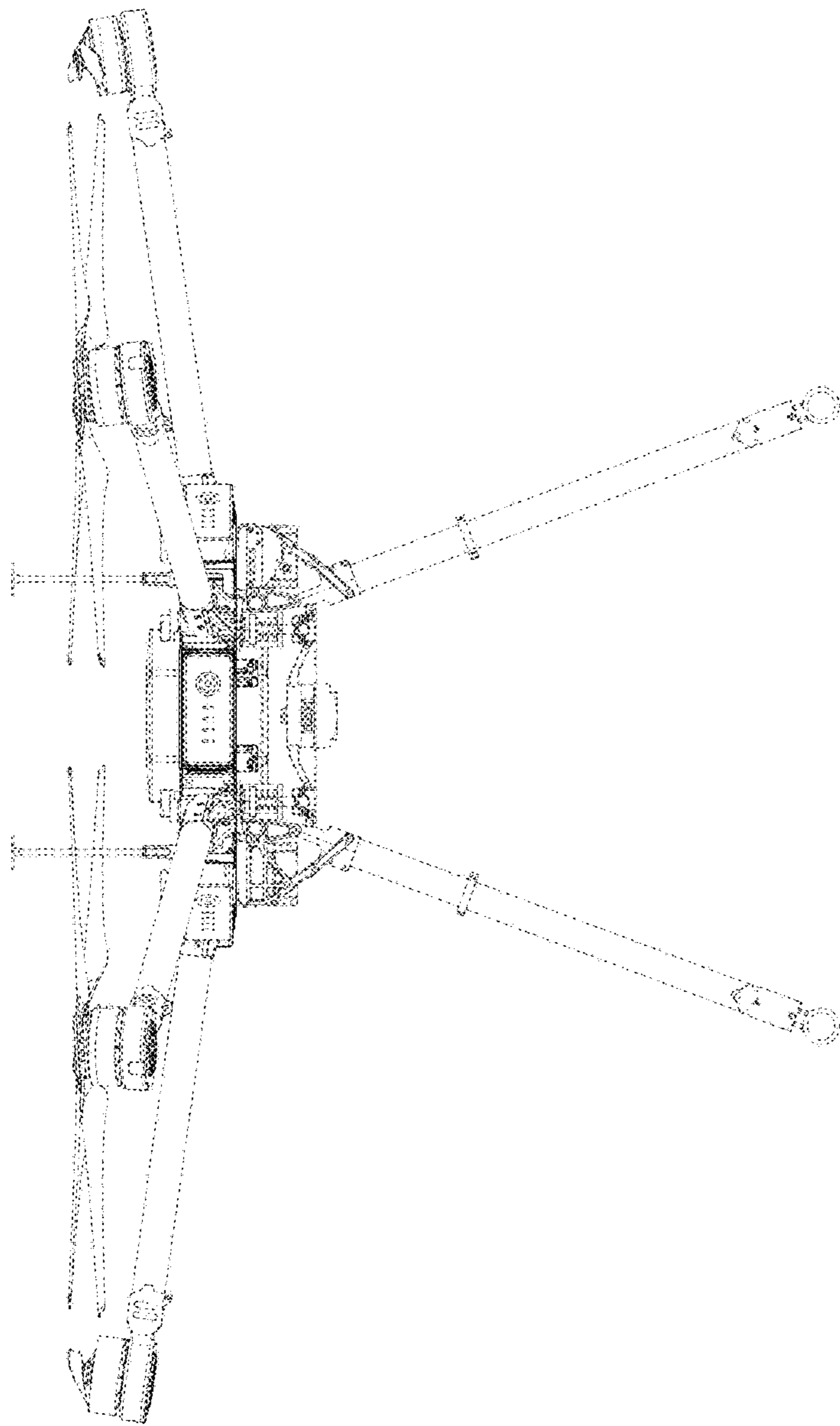


FIG. 2

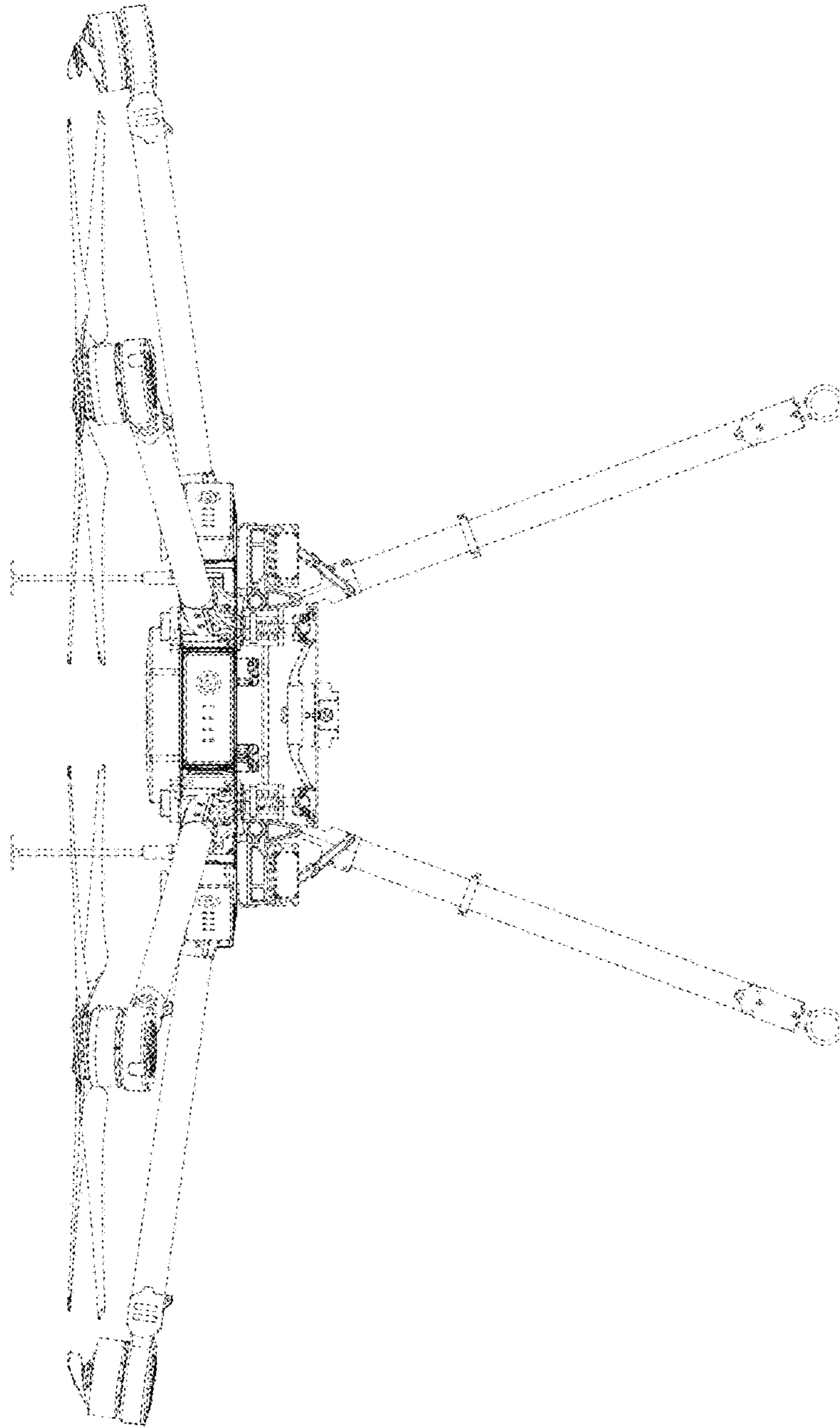


FIG. 3

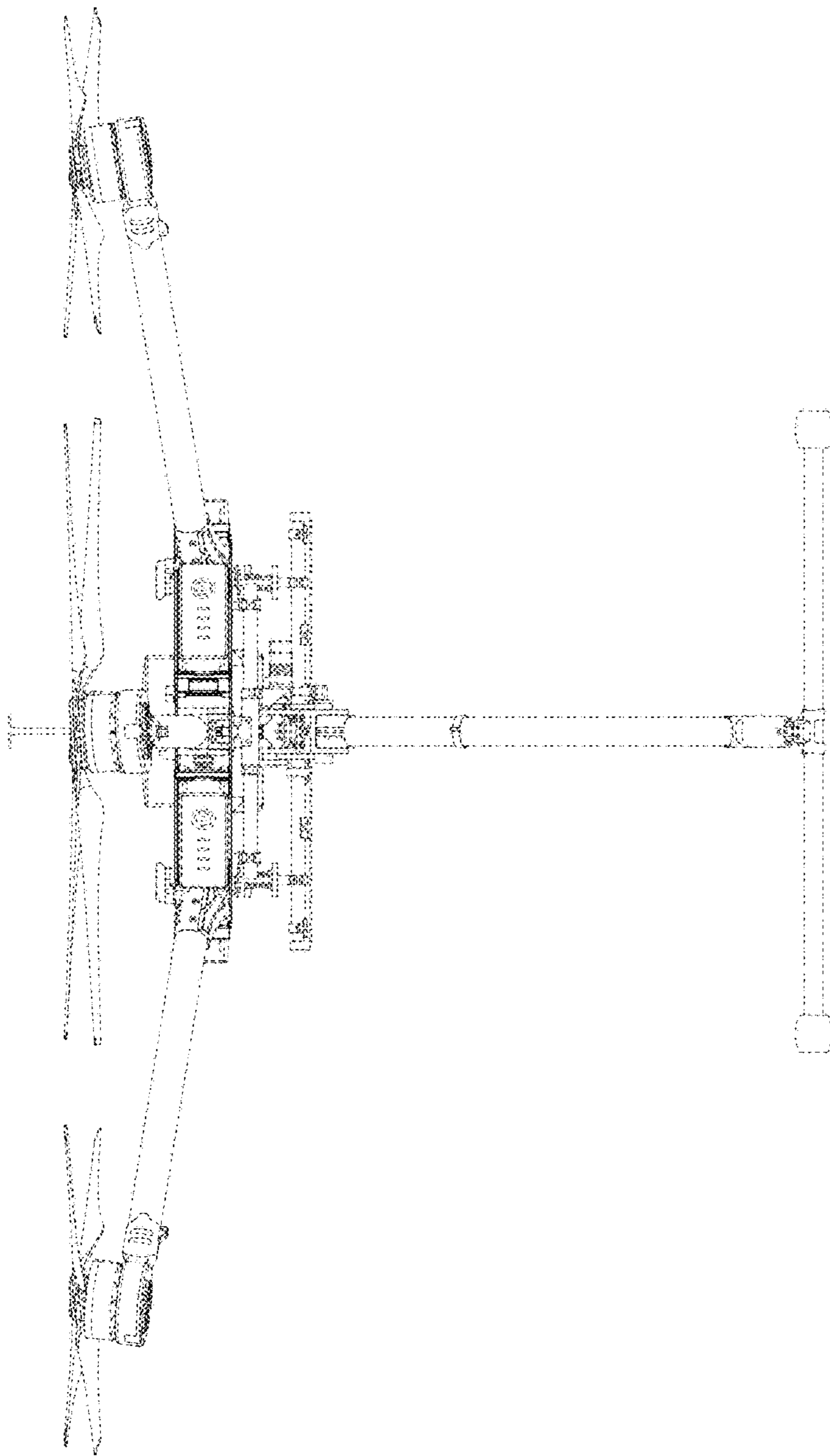


FIG. 4

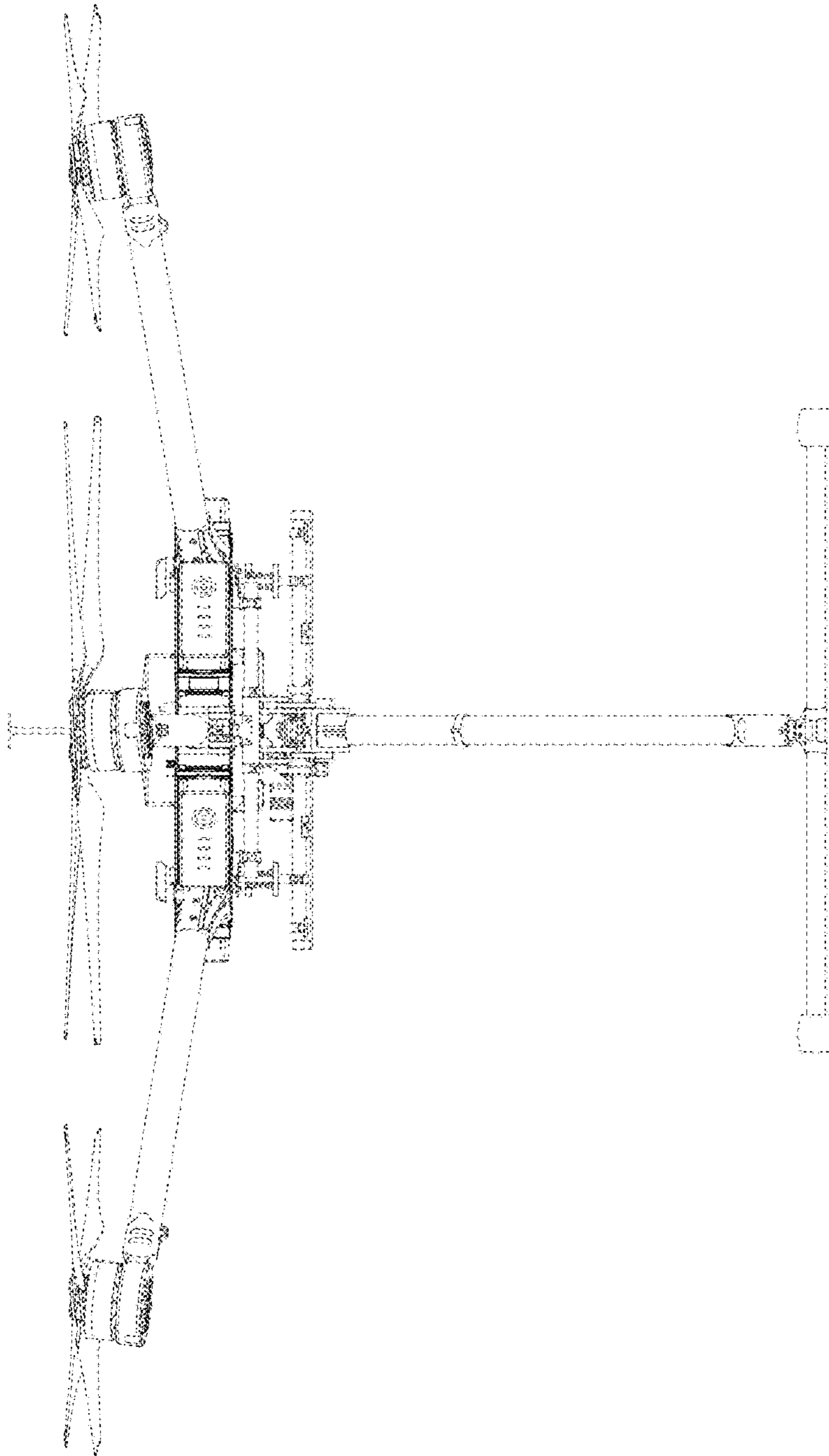


FIG. 5

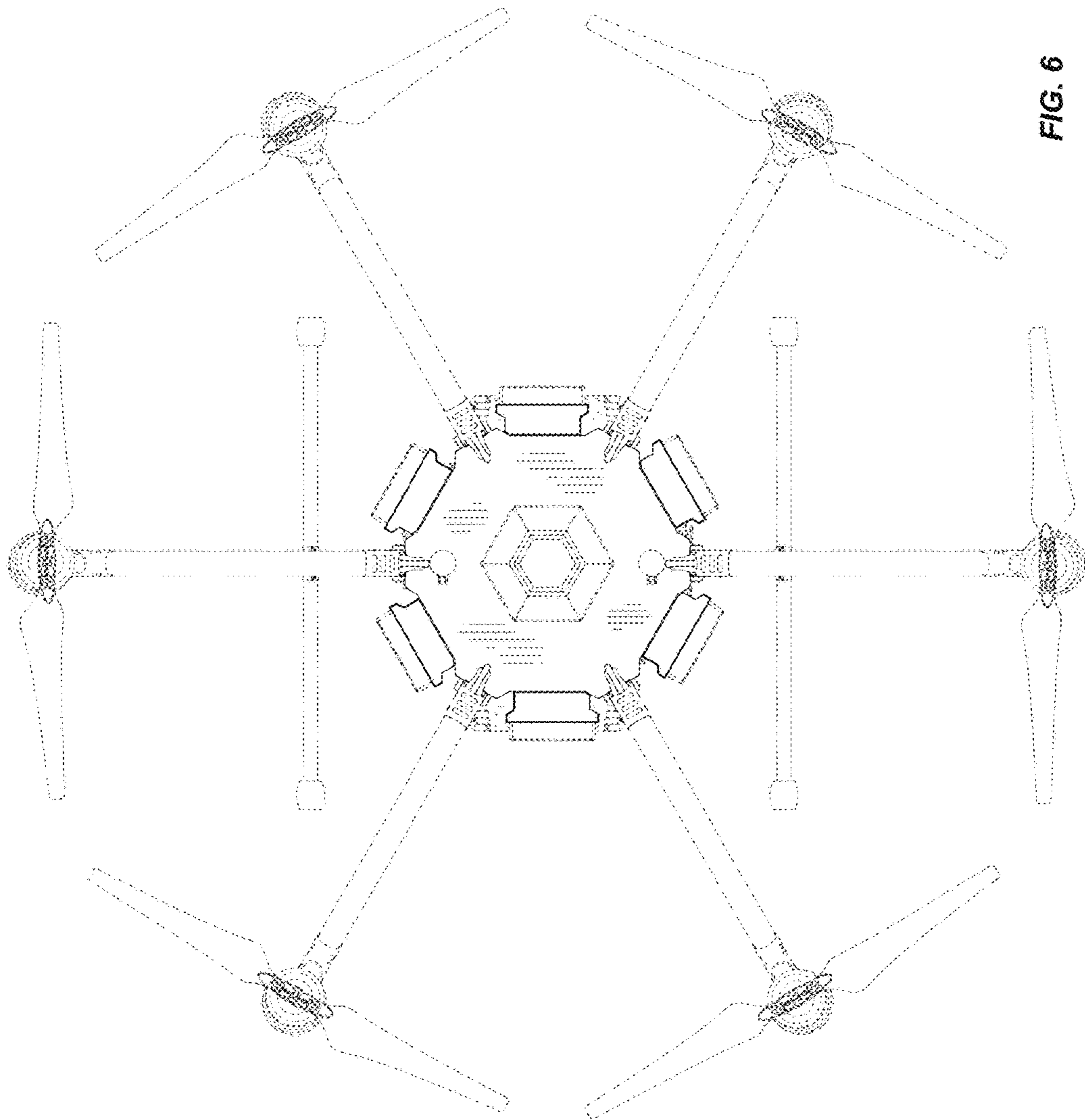


FIG. 6



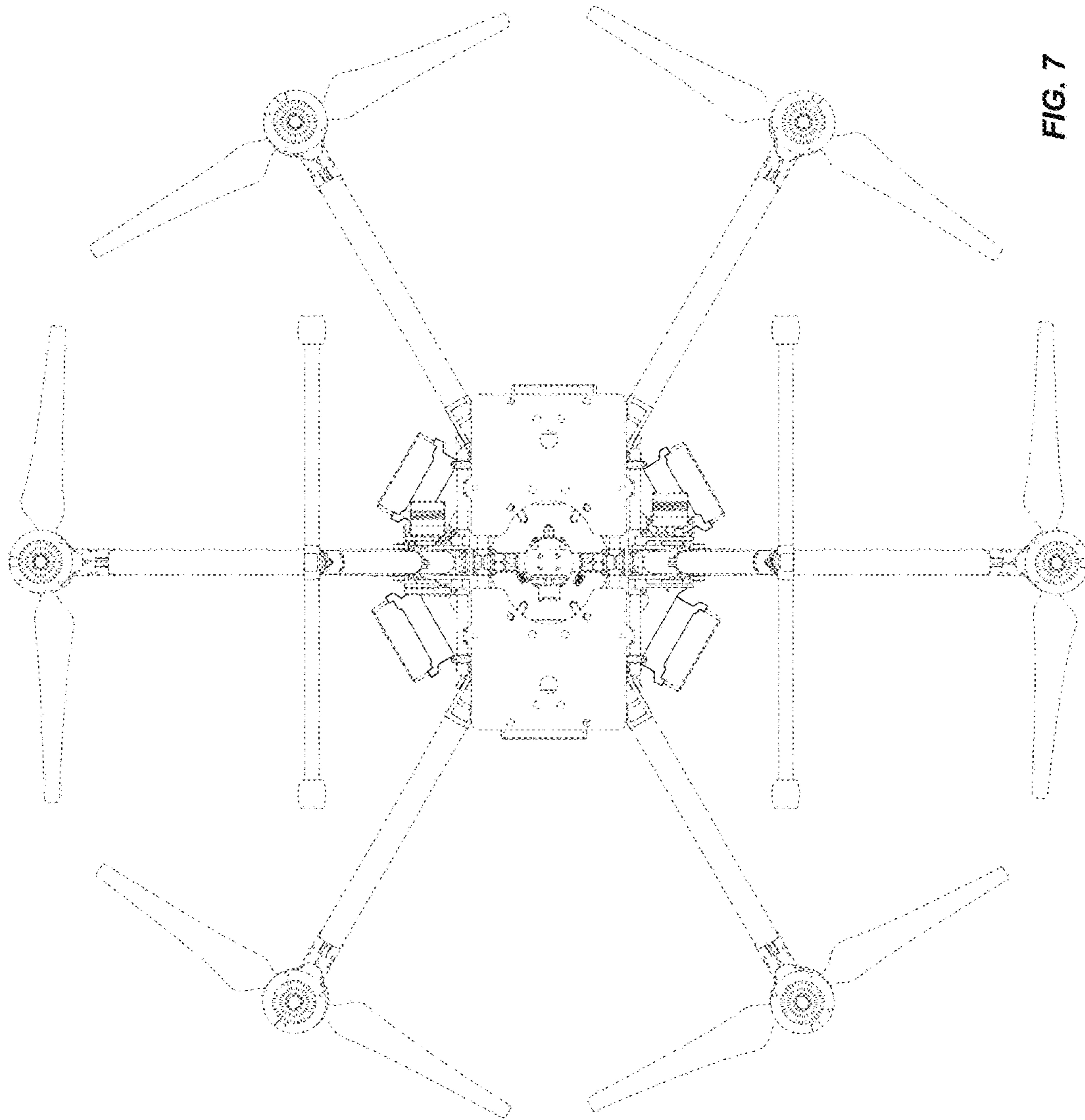


FIG. 7

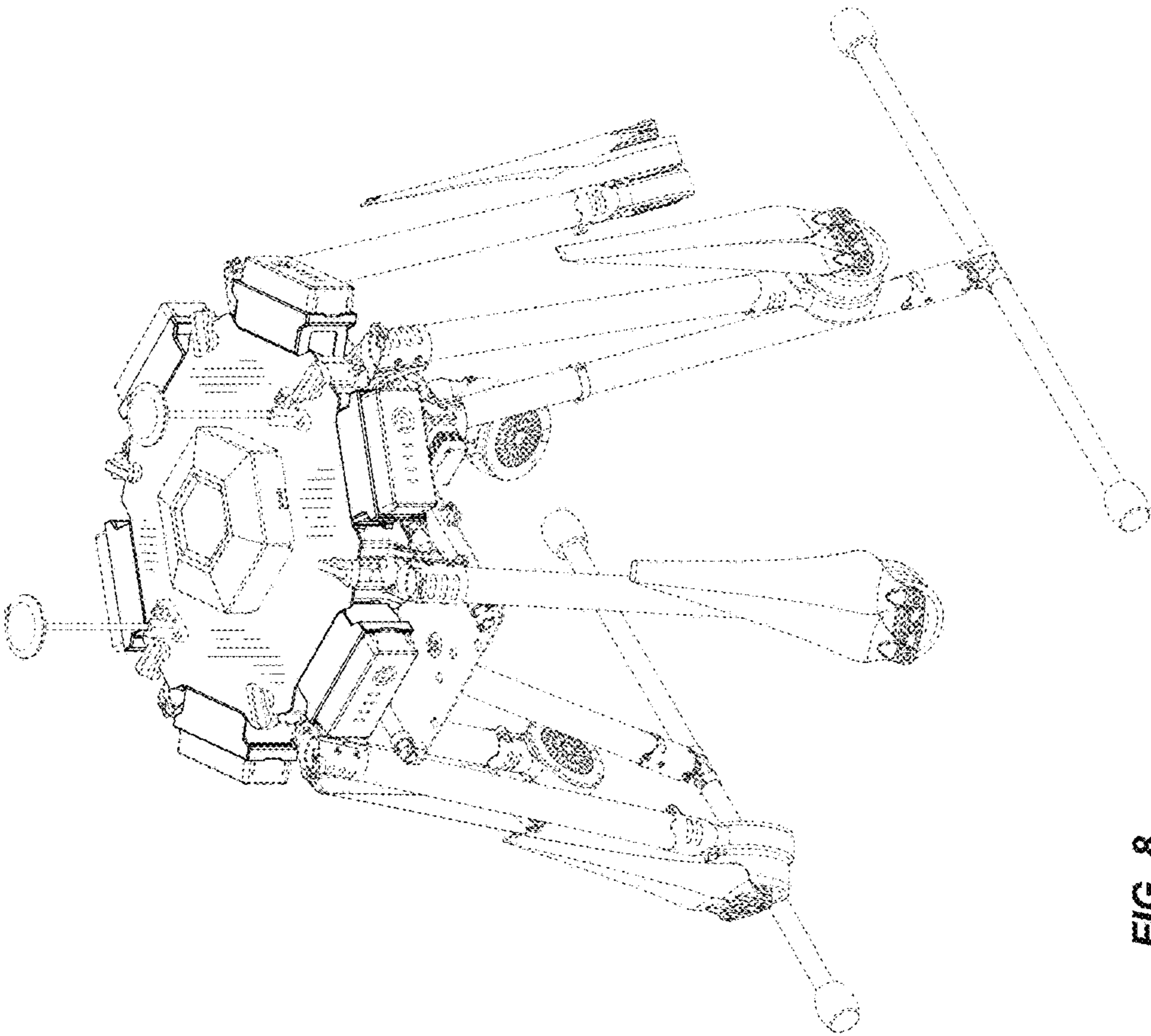


FIG. 8

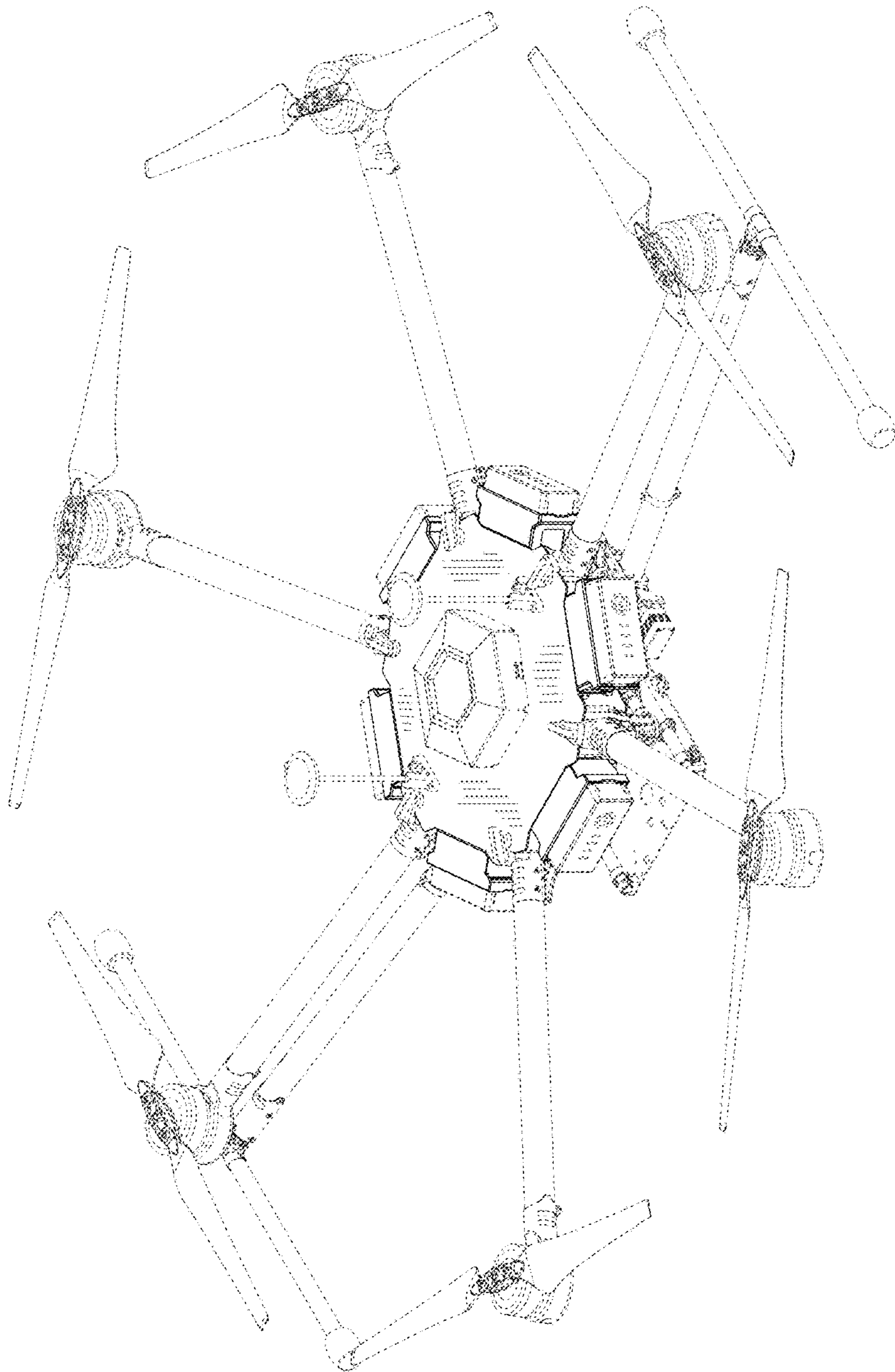


FIG. 9