



US00D820766S

(12) **United States Design Patent**
Vargas et al.

(10) **Patent No.:** **US D820,766 S**
(45) **Date of Patent:** **** Jun. 19, 2018**

- (54) **TRUCK CAB PROTECTOR**
- (71) Applicants: **Angel Vargas**, Houston, TX (US);
Eduardo Joel Vargas, Torrance, CA (US)
- (72) Inventors: **Angel Vargas**, Houston, TX (US);
Eduardo Joel Vargas, Torrance, CA (US)

D332,245 S *	1/1993	Powell, Jr.	D12/181
D345,331 S *	3/1994	Smith	D12/222
D347,205 S *	5/1994	Huisman	D12/222
D347,902 S *	6/1994	Stutts	D12/222
D375,389 S *	11/1996	Belanger	D12/222
D399,476 S *	10/1998	Duncan	D12/222
D528,964 S *	9/2006	Storer	D12/222
D528,968 S *	9/2006	Storer	D12/222
D621,326 S *	8/2010	Bauer	D12/222

* cited by examiner

(**) Term: **15 Years**

Primary Examiner — Katrina A Betton

(21) Appl. No.: **29/596,507**

(74) *Attorney, Agent, or Firm* — RG Patent Consulting, LLC; Rachel Gilboy

(22) Filed: **Mar. 8, 2017**

(57) **CLAIM**

(51) **LOC (11) Cl.** **12-03**

The ornamental design for a truck cab protector, as shown and described.

(52) **U.S. Cl.**

USPC **D12/222**

DESCRIPTION

(58) **Field of Classification Search**

USPC D12/222, 400, 401, 404, 406, 412, 414, D12/223, 86, 93, 101; D6/552; D26/31
CPC B60R 27/00; B60J 1/06; B60Q 1/0483
See application file for complete search history.

FIG. 1 is a perspective view of the truck cab protector showing my new design;
FIG. 2 is a top plan view thereof;
FIG. 3 is a bottom plan view thereof;
FIG. 4 is a rear elevation view thereof;
FIG. 5 is a front elevation view thereof;
FIG. 6 is a left side view thereof; and,
FIG. 7 is a right side view thereof.

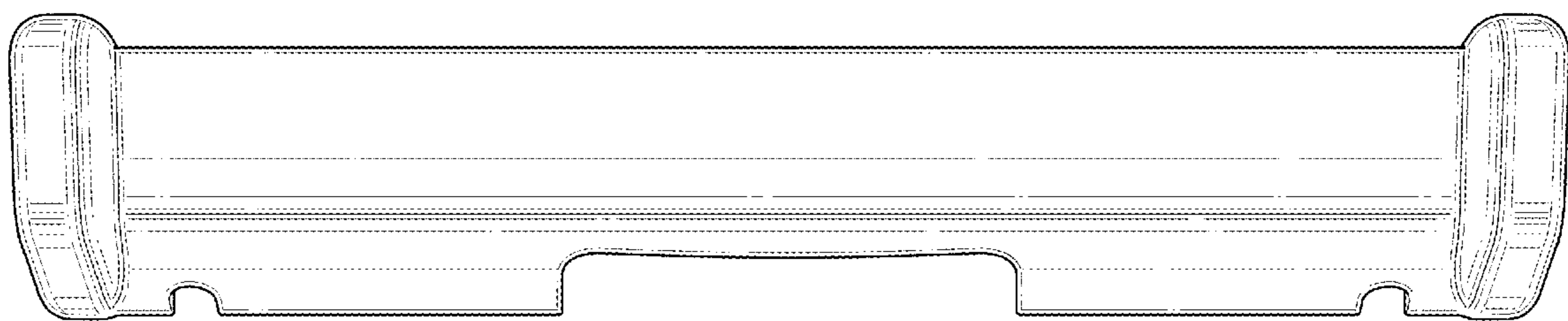
(56) **References Cited**

U.S. PATENT DOCUMENTS

D316,391 S *	4/1991	Lund	D12/181
5,018,779 A *	5/1991	Lund	B62D 35/001 296/180.1
D317,428 S *	6/1991	Carr	D10/114.1

Broken lines are included for depicting environmental subject matter and form no part of the claimed design.

1 Claim, 4 Drawing Sheets



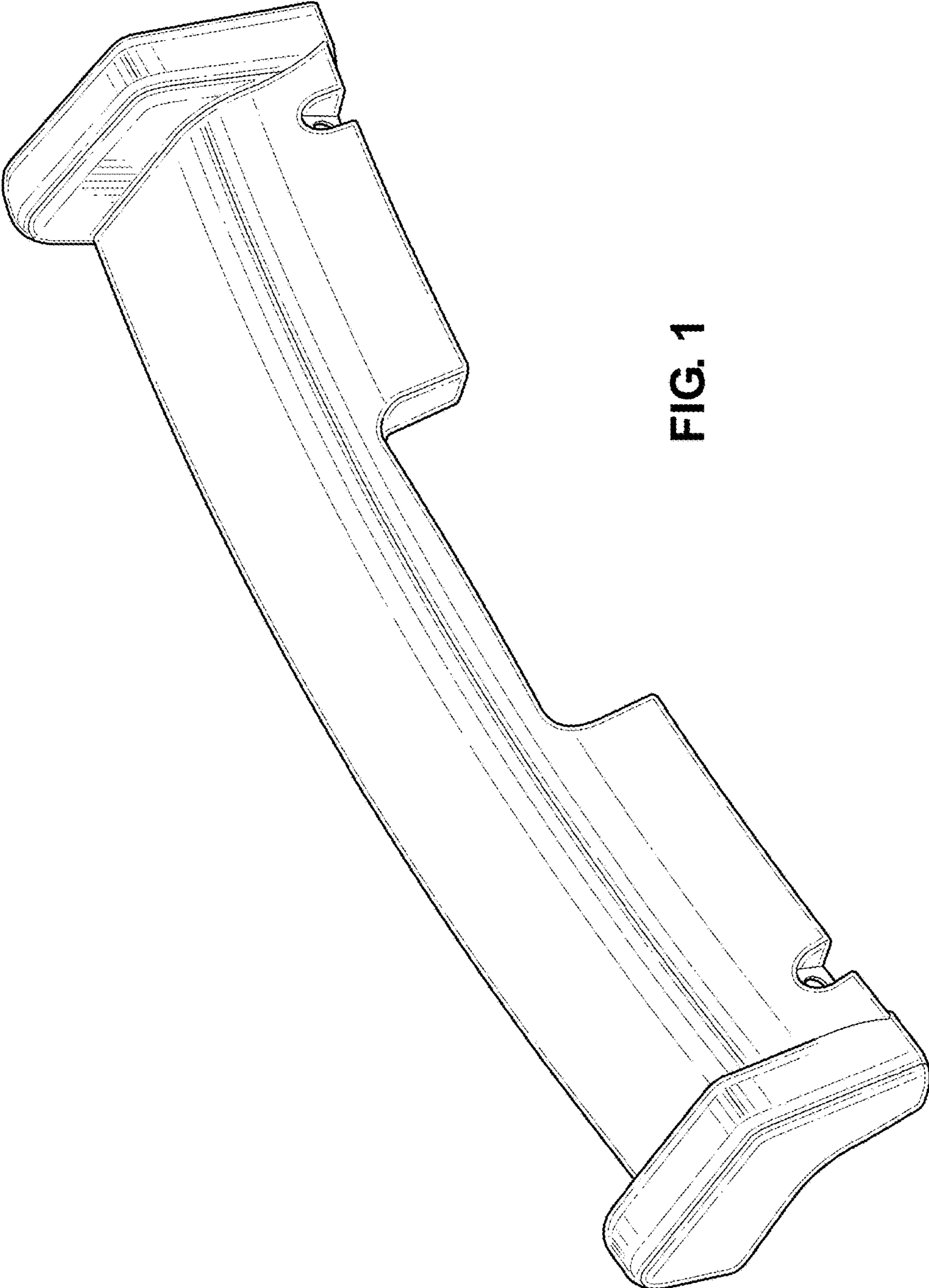


FIG. 1

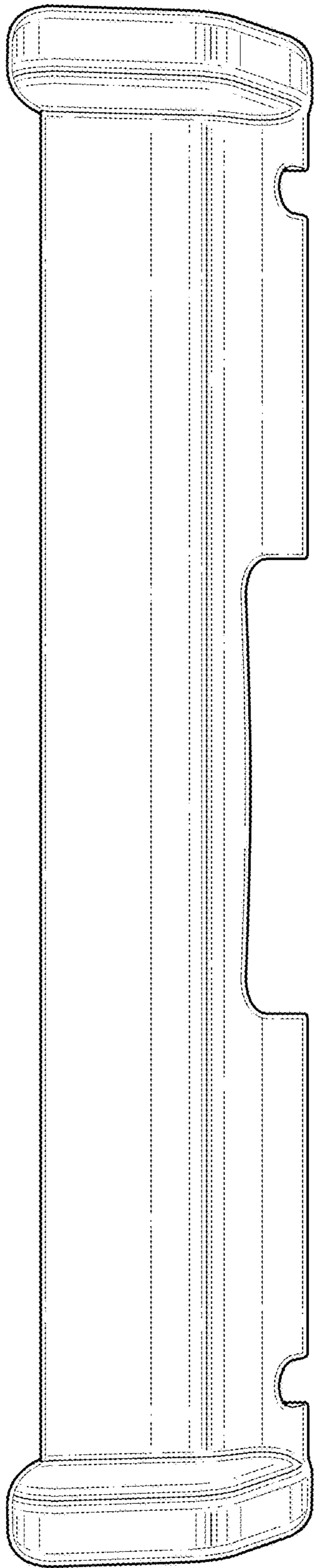


FIG. 2

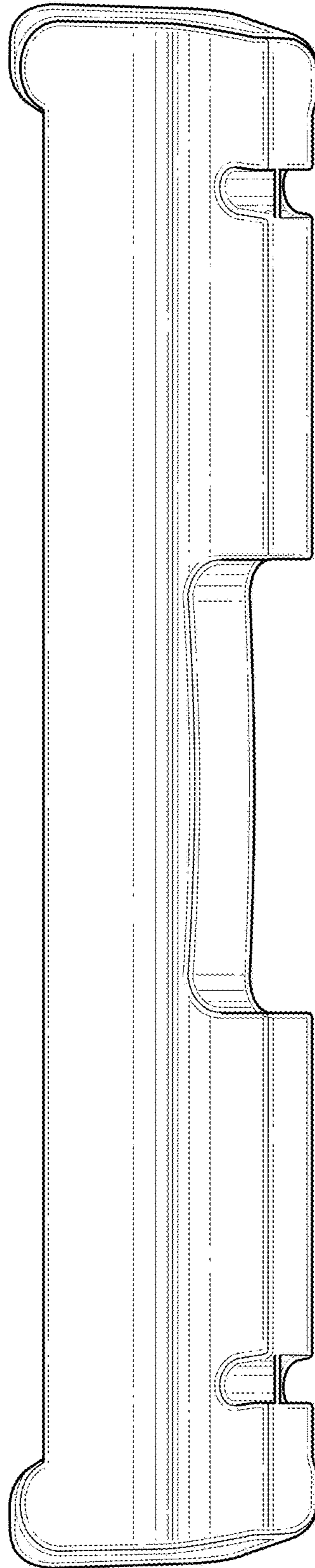


FIG. 3

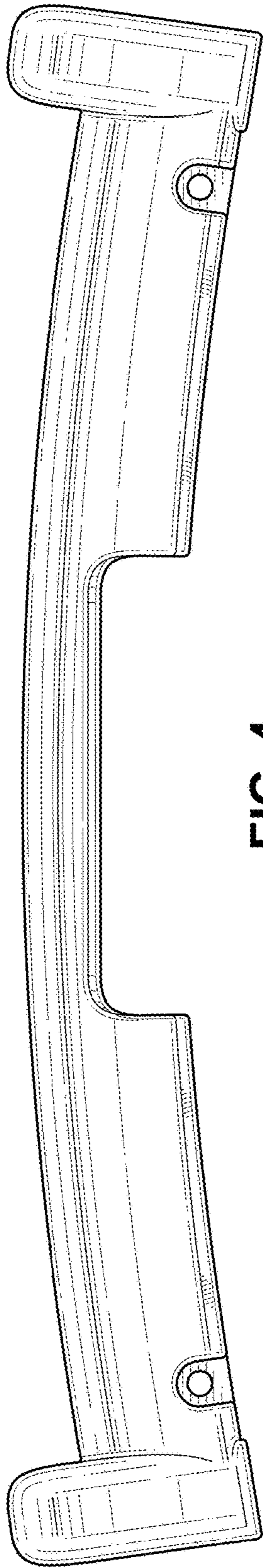


FIG. 4

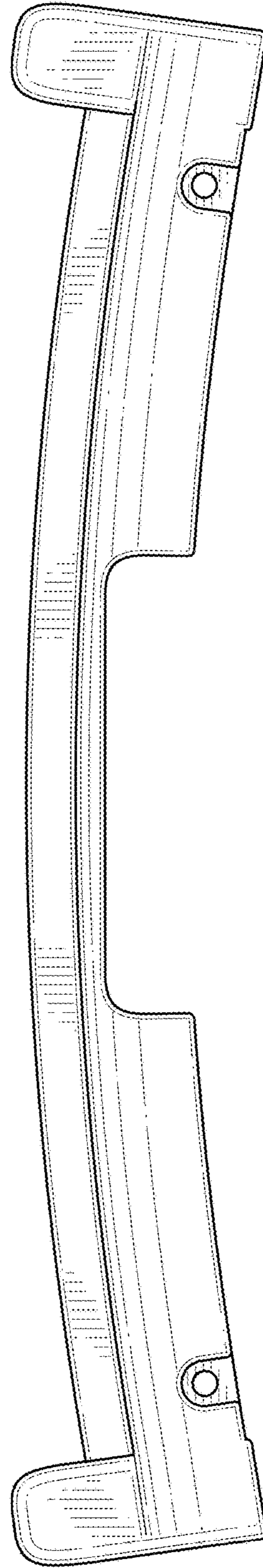


FIG. 5

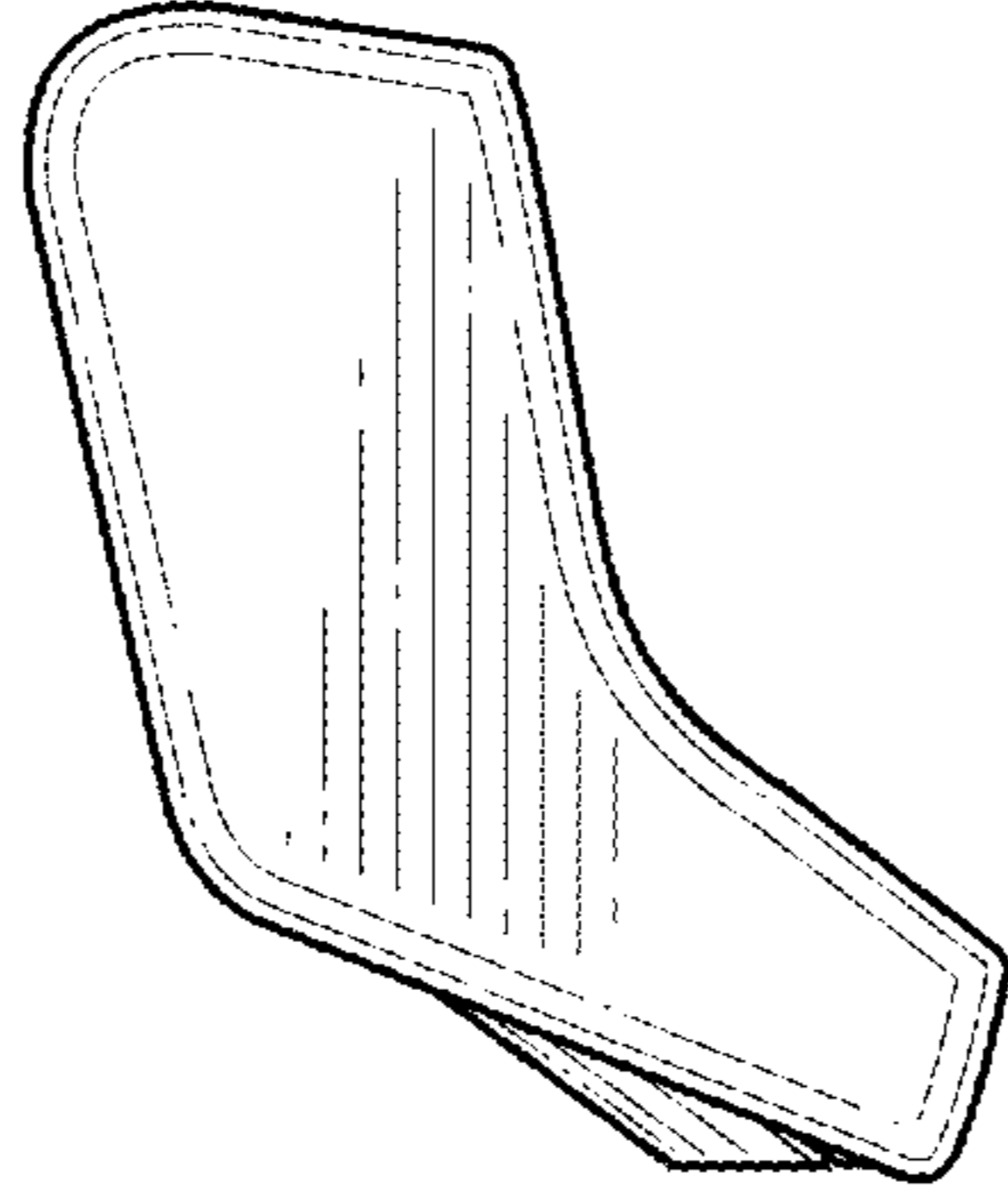


FIG. 7

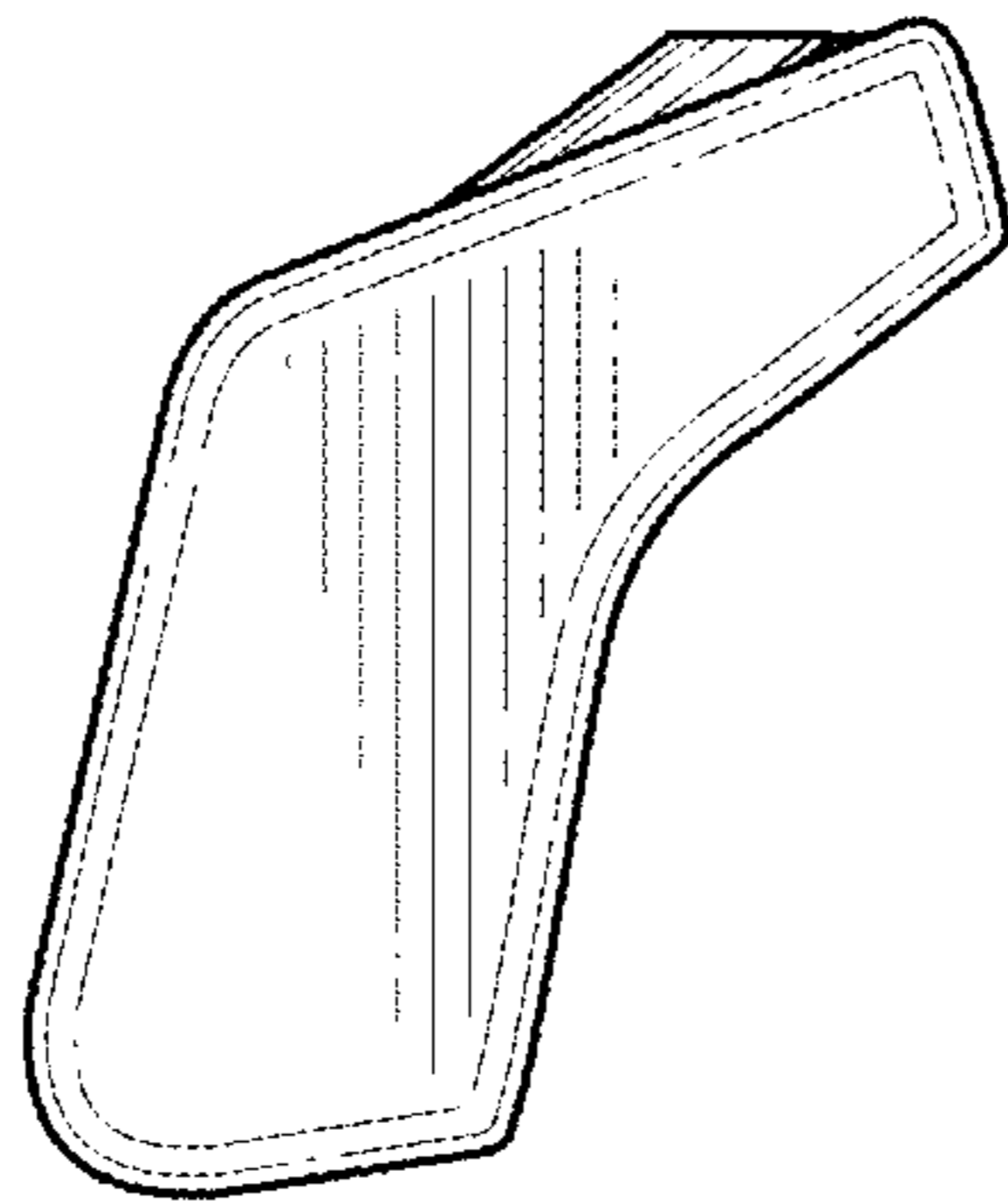


FIG. 6