



US00D820765S

(12) **United States Design Patent**  
**Hensley**

(10) **Patent No.:** **US D820,765 S**  
(45) **Date of Patent:** **\*\* Jun. 19, 2018**

- (54) **LIQUID CONTAINING TANK FOR A LAWN CARE SERVICE TRUCK**
- (71) Applicant: **FabMetals, Inc.**, New Carlisle, OH (US)
- (72) Inventor: **Tommy Hensley**, Tipp City, OH (US)
- (73) Assignee: **FabMetals, Inc.**, New Carlisle, OH (US)
- (\*\*) Term: **15 Years**
- (21) Appl. No.: **29/591,031**
- (22) Filed: **Jan. 16, 2017**
- (51) **LOC (11) Cl.** ..... **12-06**
- (52) **U.S. Cl.**  
USPC ..... **D12/218**; D15/17
- (58) **Field of Classification Search**  
USPC ..... D12/218, 121; D15/10, 14, 15, 17,  
D15/22-26, 28, 33; D23/202, 203, 225  
CPC .... B60K 15/00; B60K 15/03; B60K 15/0306;  
B60K 15/063; B60K 15/073; B60K  
15/07; B62D 21/16; B62D 25/161; B62D  
25/168; B62D 25/182; B62D 25/18;  
B62D 25/16; F02M 37/0094  
See application file for complete search history.

D532,359 S *	11/2006	Simpson .....	D12/218
D540,734 S *	4/2007	Loos .....	D12/218
D555,067 S *	11/2007	Kruger .....	D12/218
D562,350 S *	2/2008	Higashikawa .....	D12/218
D624,864 S *	10/2010	Makino .....	D12/218
D625,388 S *	10/2010	Cook .....	D23/202
D656,520 S *	3/2012	Ortlund .....	D12/218
D669,099 S *	10/2012	Ringer .....	D15/28
D669,100 S *	10/2012	Ringer .....	D15/28
D687,867 S *	8/2013	Thompson .....	D15/28
D690,741 S *	10/2013	Gonzales .....	D15/28
D694,167 S *	11/2013	Forsberg .....	D12/218
D695,202 S *	12/2013	Forsberg .....	D12/218
D701,814 S *	4/2014	Merchant .....	D12/218
D713,424 S *	9/2014	Gonzales .....	D15/28
D744,934 S *	12/2015	McAvey .....	D12/218
D751,023 S *	3/2016	Hennen .....	D12/218
D792,479 S *	7/2017	Sasaki .....	D15/17

\* cited by examiner

*Primary Examiner* — Darlington Ly

(74) *Attorney, Agent, or Firm* — Jacox, Meckstroth & Jenkins

(57) **CLAIM**

The ornamental design for a liquid containing tank for a lawn care service truck, as shown and described.

**DESCRIPTION**

FIG. 1 is a top, front, and left side perspective view of a liquid containing tank for a lawn care service truck showing my new design;

FIG. 2 is a front elevation view thereof, to which the rear elevation view is a mirror image;

FIG. 3 is a top plan view thereof;

FIG. 4 is a bottom plan view thereof;

FIG. 5 is a left side elevation view thereof; and,

FIG. 6 is a right side elevation view thereof.

**1 Claim, 1 Drawing Sheet**

(56) **References Cited**  
U.S. PATENT DOCUMENTS

D227,315 S *	6/1973	Wills .....	D12/114
D229,612 S *	12/1973	German .....	D12/114
D238,941 S *	2/1976	Graeper .....	D12/218
D282,921 S *	3/1986	Eureka .....	D12/218
D364,845 S *	12/1995	Witthaus .....	D12/218
D410,888 S *	6/1999	Lloyd .....	D12/218
D446,494 S *	8/2001	Martin .....	D12/218
D515,006 S *	2/2006	Hawkinberry .....	D12/218

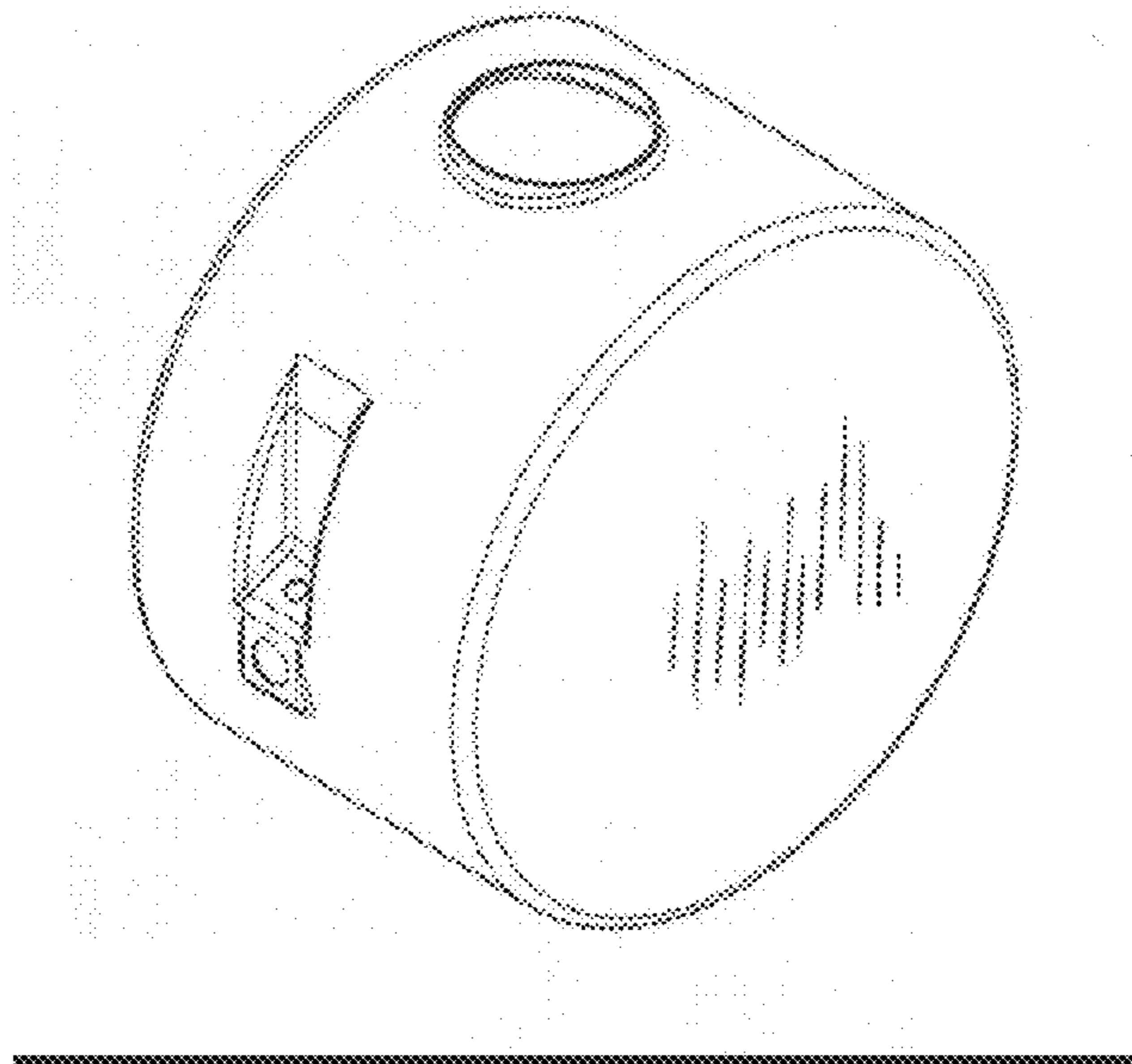


FIG. 1

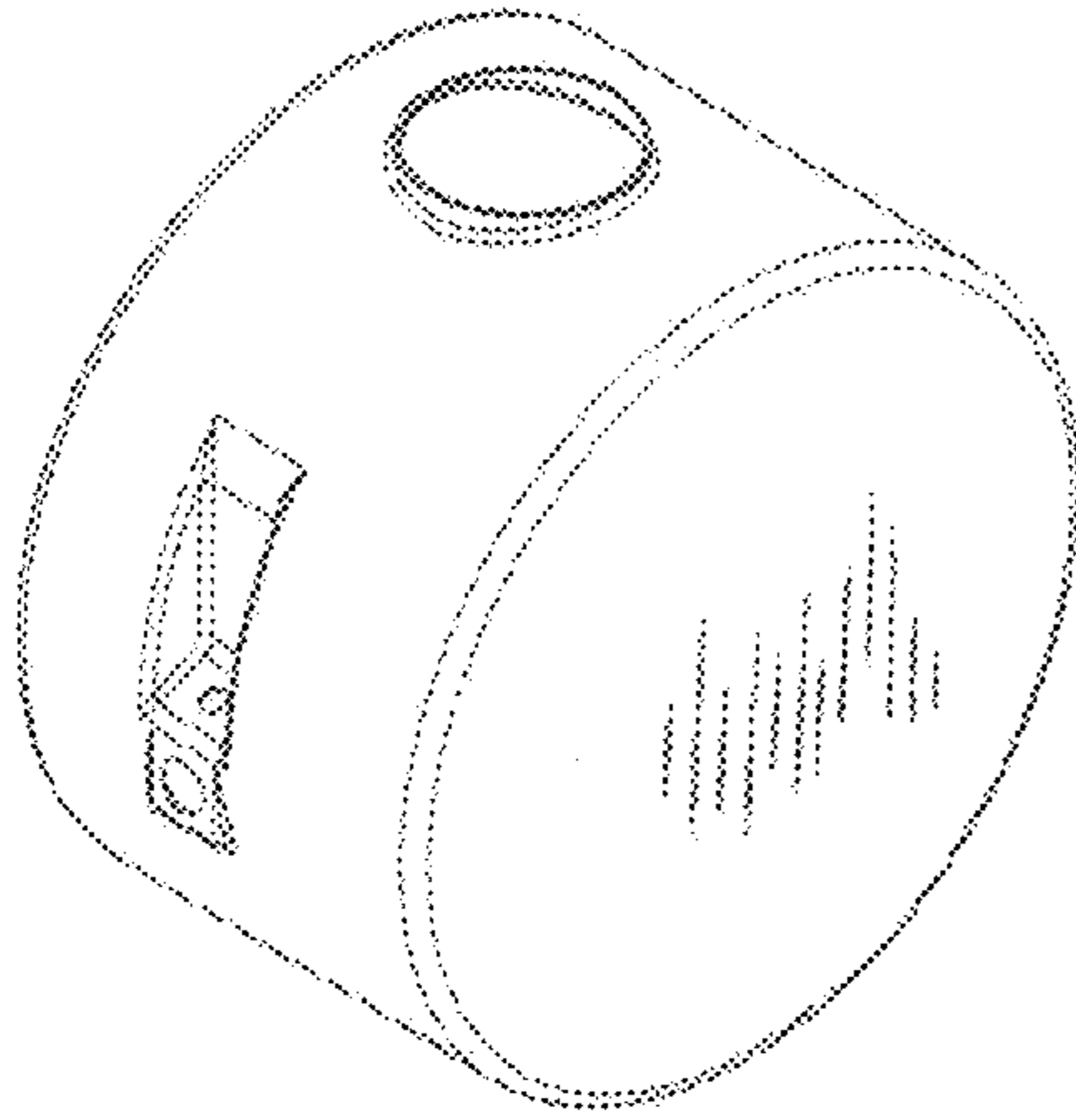


FIG. 2

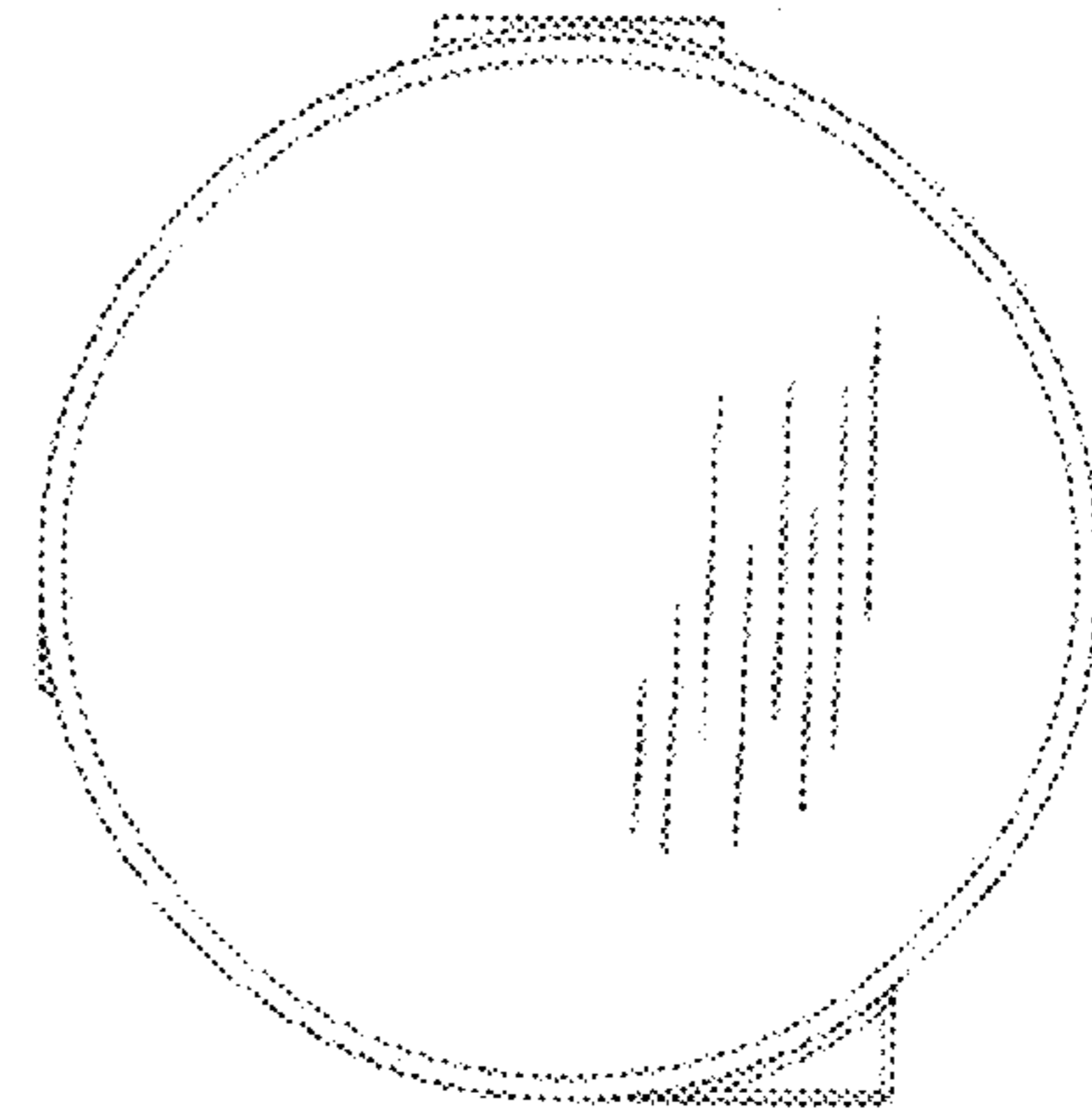


FIG. 3

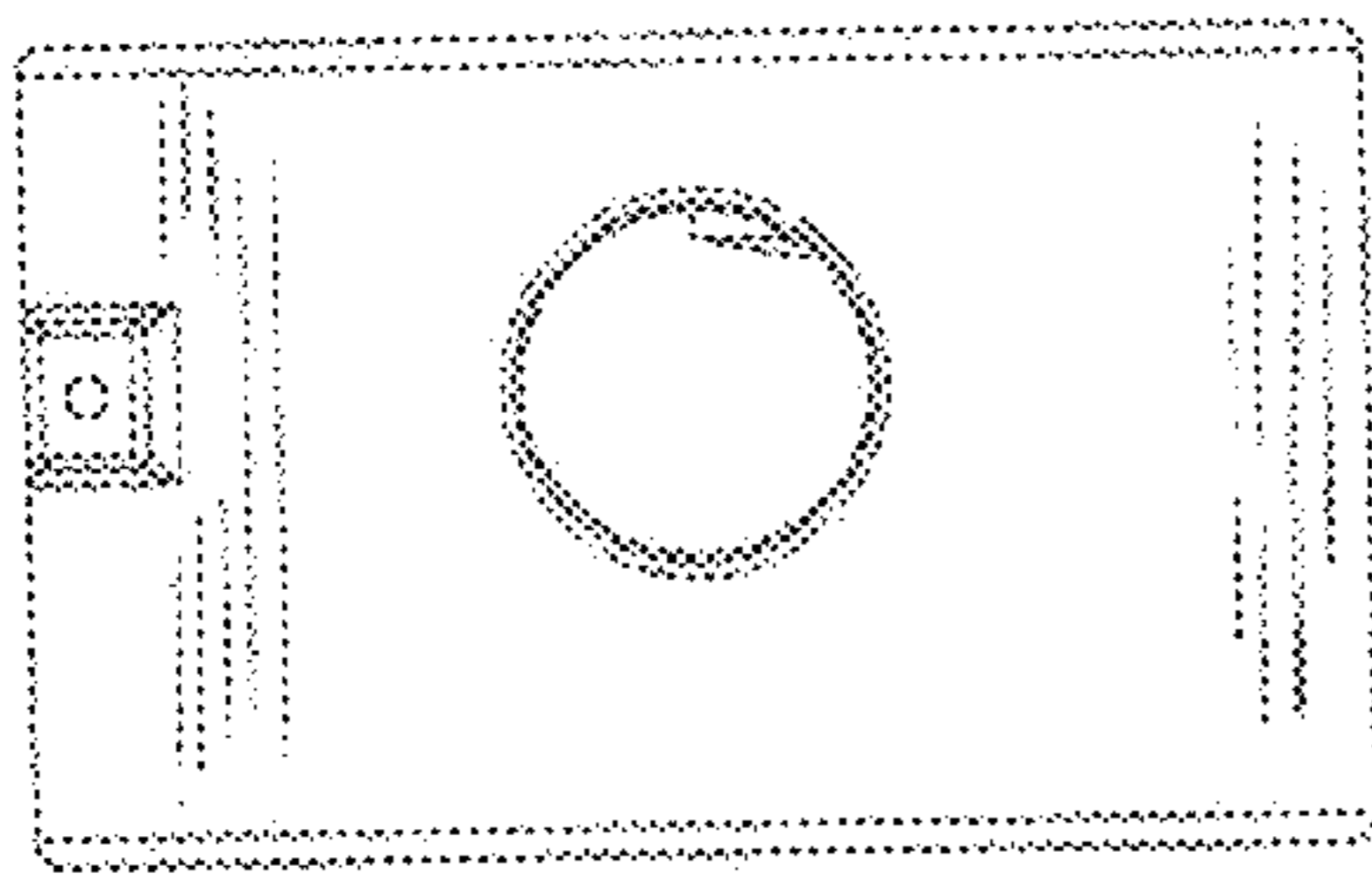


FIG. 4



FIG. 5

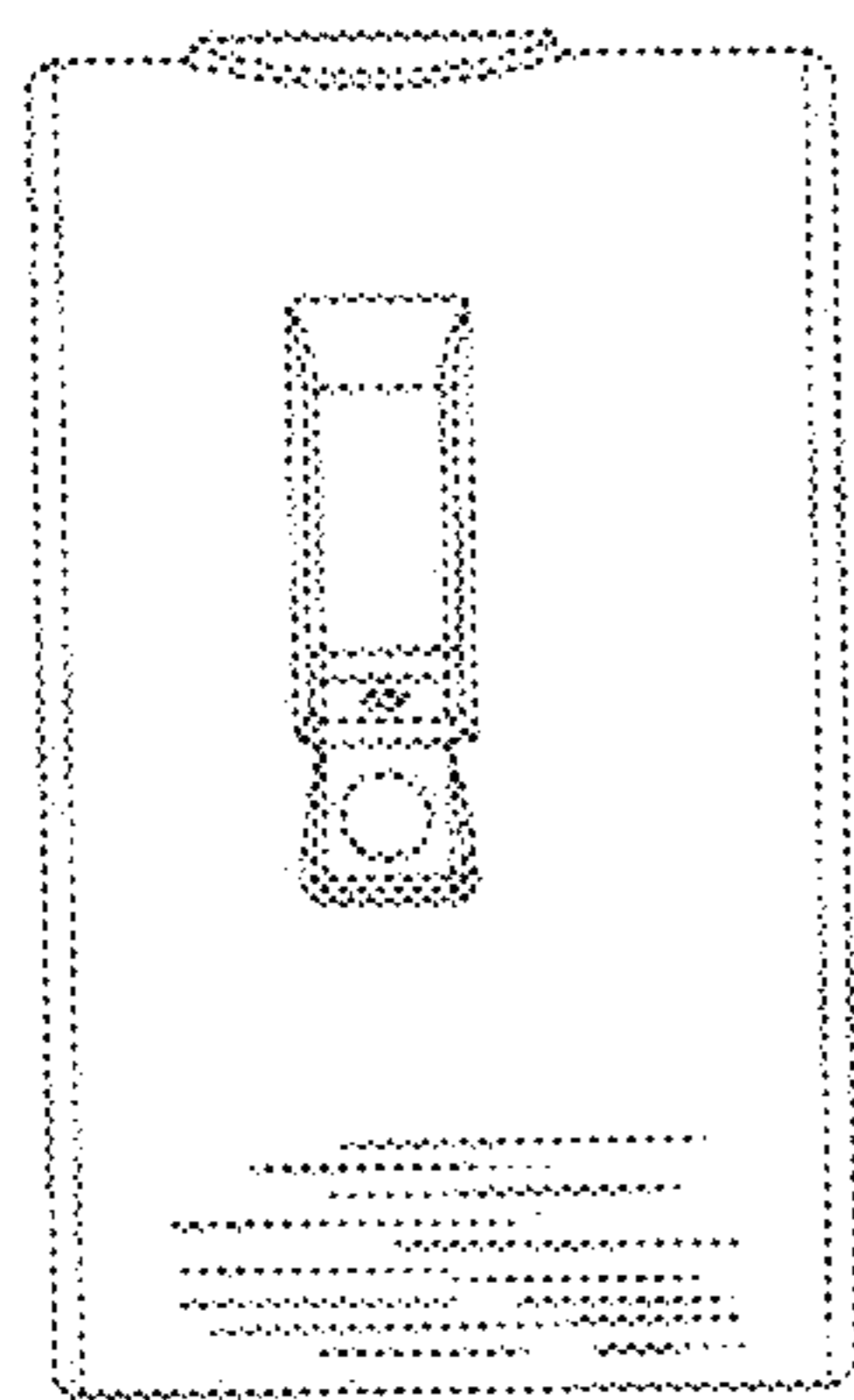


FIG. 6

