



US00D820764S

(12) **United States Design Patent**
Suzuki et al.

(10) **Patent No.:** **US D820,764 S**
(45) **Date of Patent:** **** Jun. 19, 2018**

- (54) **BOAT MOTOR**
- (71) Applicant: **Yamaha Hatsudoki Kabushiki Kaisha**,
Shizuoka-ken (JP)
- (72) Inventors: **Takayoshi Suzuki**, Shizuoka-ken (JP);
Satoshi Ishikawa, Shizuoka-ken (JP);
Tsukasa Tanimoto, Kyoto (JP)
- (73) Assignee: **YAMAHA HATSUDOKI**
KABUSHIKI KAISHA (JP)
- (**) Term: **15 Years**
- (21) Appl. No.: **29/599,723**
- (22) Filed: **Apr. 6, 2017**
- (30) **Foreign Application Priority Data**

Oct. 31, 2016 (JP) 2016-023634

- (51) **LOC (11) Cl.** **12-06**
- (52) **U.S. Cl.**
USPC **D12/214; D12/317**
- (58) **Field of Classification Search**
USPC D12/214, 317; D15/4
CPC B63H 5/165; B63H 20/34; F02B 61/04;
F02B 61/045
See application file for complete search history.

(56) **References Cited**

U.S. PATENT DOCUMENTS

- 2,916,010 A * 12/1959 Dimmer B63H 5/165
416/247 R
- D240,810 S * 8/1976 Meyerhoff et al. D12/214
- 4,304,558 A * 12/1981 Holtermann B63H 1/18
415/221
- 4,637,801 A * 1/1987 Schultz B63H 5/14
415/121.2

- 4,694,645 A * 9/1987 Flyborg B63H 5/14
114/166
- 5,066,254 A * 11/1991 Bass B63H 5/165
416/247 A
- 5,176,550 A * 1/1993 Hooper B63H 5/165
416/247 A
- 5,501,622 A * 3/1996 Phelan B63H 5/165
416/247 A
- 5,906,522 A * 5/1999 Hooper B63H 20/34
416/247 A
- 5,975,969 A * 11/1999 White B63H 5/14
114/274
- D419,518 S * 1/2000 Harrison D12/214
- 6,475,045 B2 * 11/2002 Schultz B63H 5/14
114/274
- 7,229,331 B2 * 6/2007 Norman B63H 5/14
440/66
- D579,400 S * 10/2008 Norman D12/214
- 8,246,401 B2 * 8/2012 Kluge B63H 5/14
440/67
- 9,676,460 B2 * 6/2017 Aasebo B63H 23/22

* cited by examiner

Primary Examiner — Cynthia M Chin

(74) *Attorney, Agent, or Firm* — Ostrolenk Faber LLP

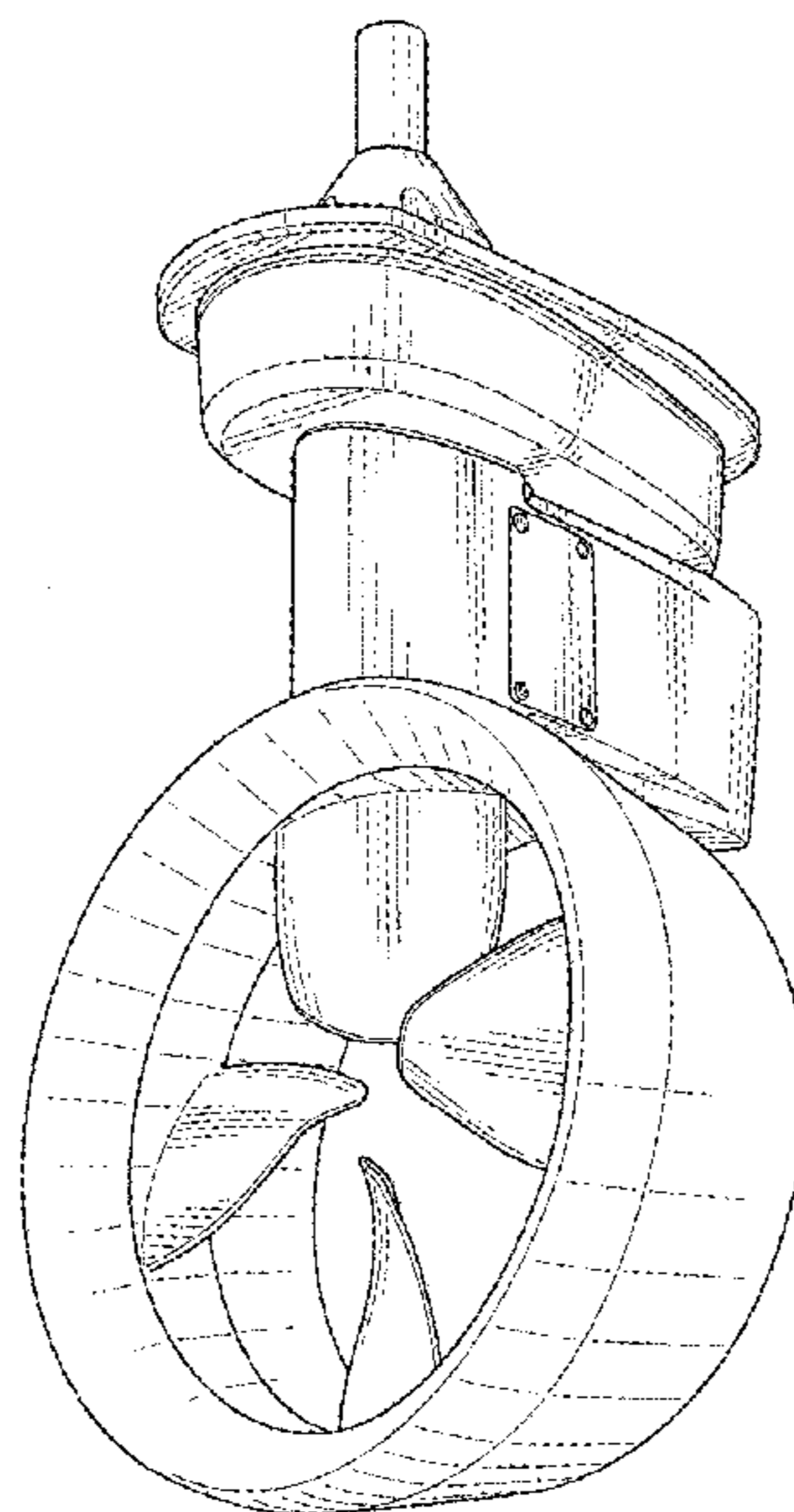
(57) **CLAIM**

The ornamental design for a boat motor, as shown and described.

DESCRIPTION

FIG. 1 is a first perspective view of a boat motor;
FIG. 2 is a second perspective view thereof;
FIG. 3 is a front view thereof;
FIG. 4 is a rear view thereof;
FIG. 5 is a left side view thereof;
FIG. 6 is a right side view thereof;
FIG. 7 is a top view thereof; and,
FIG. 8 is a bottom view thereof.

1 Claim, 8 Drawing Sheets



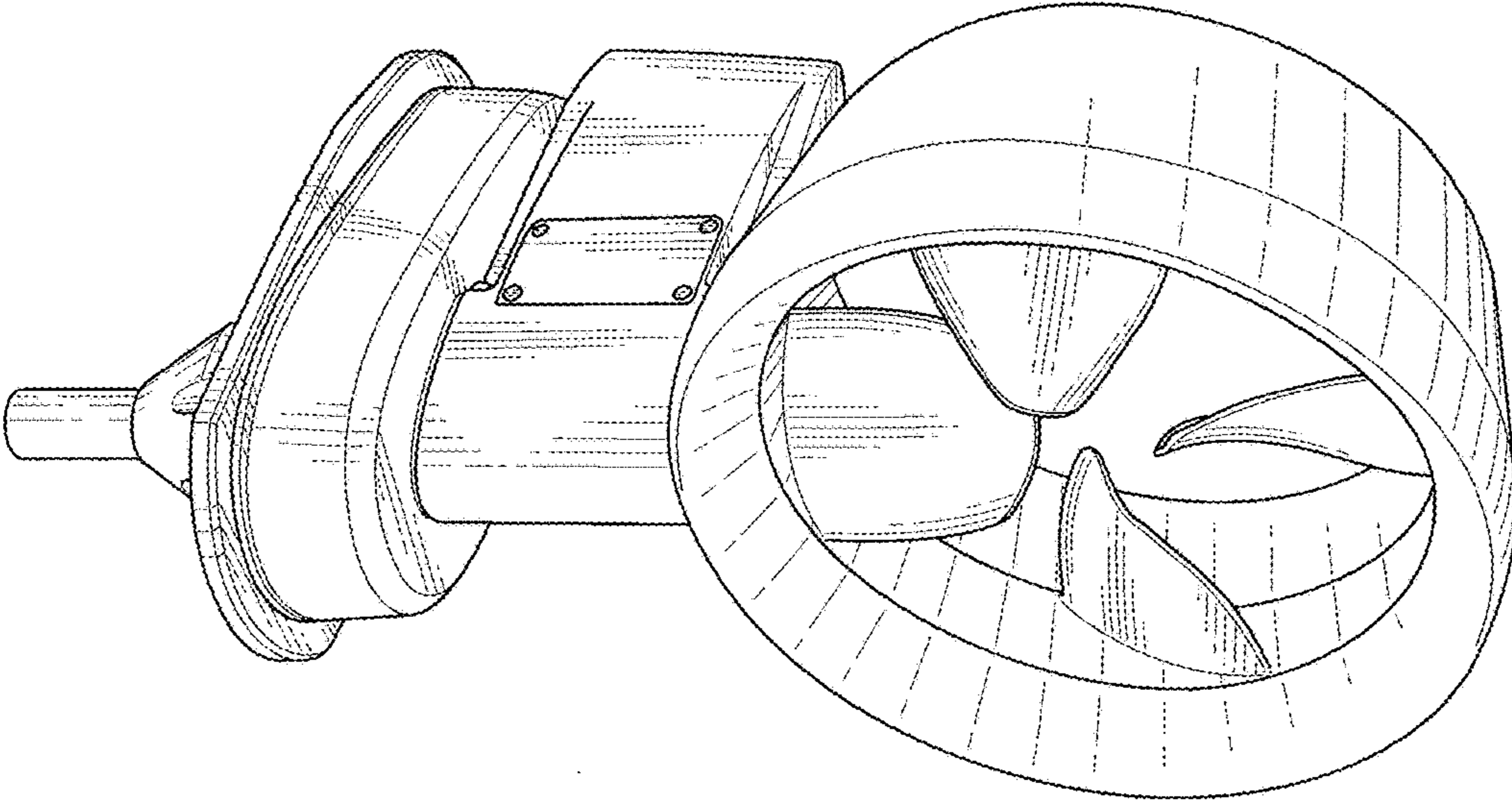


Fig. 1

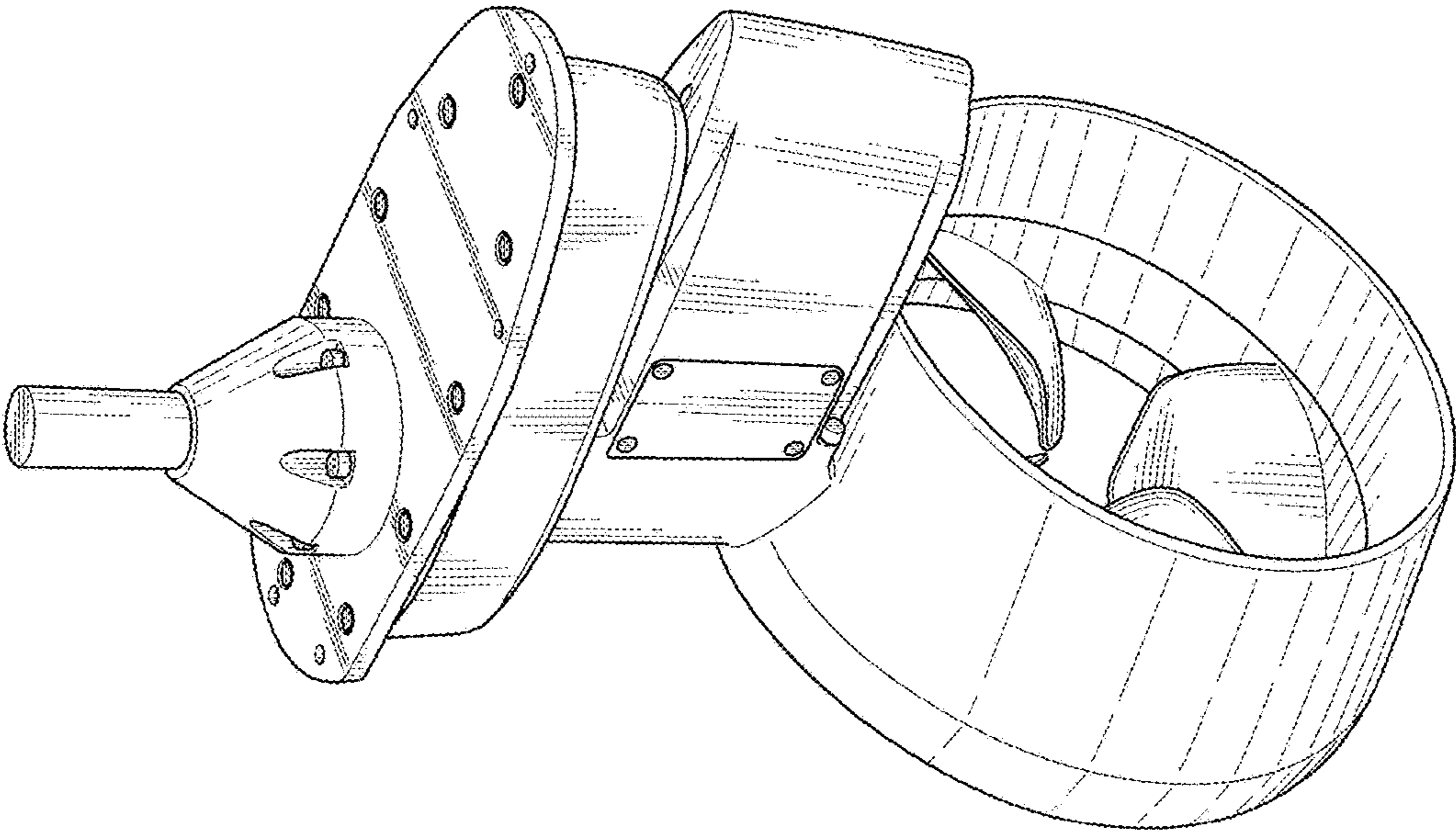


Fig. 2

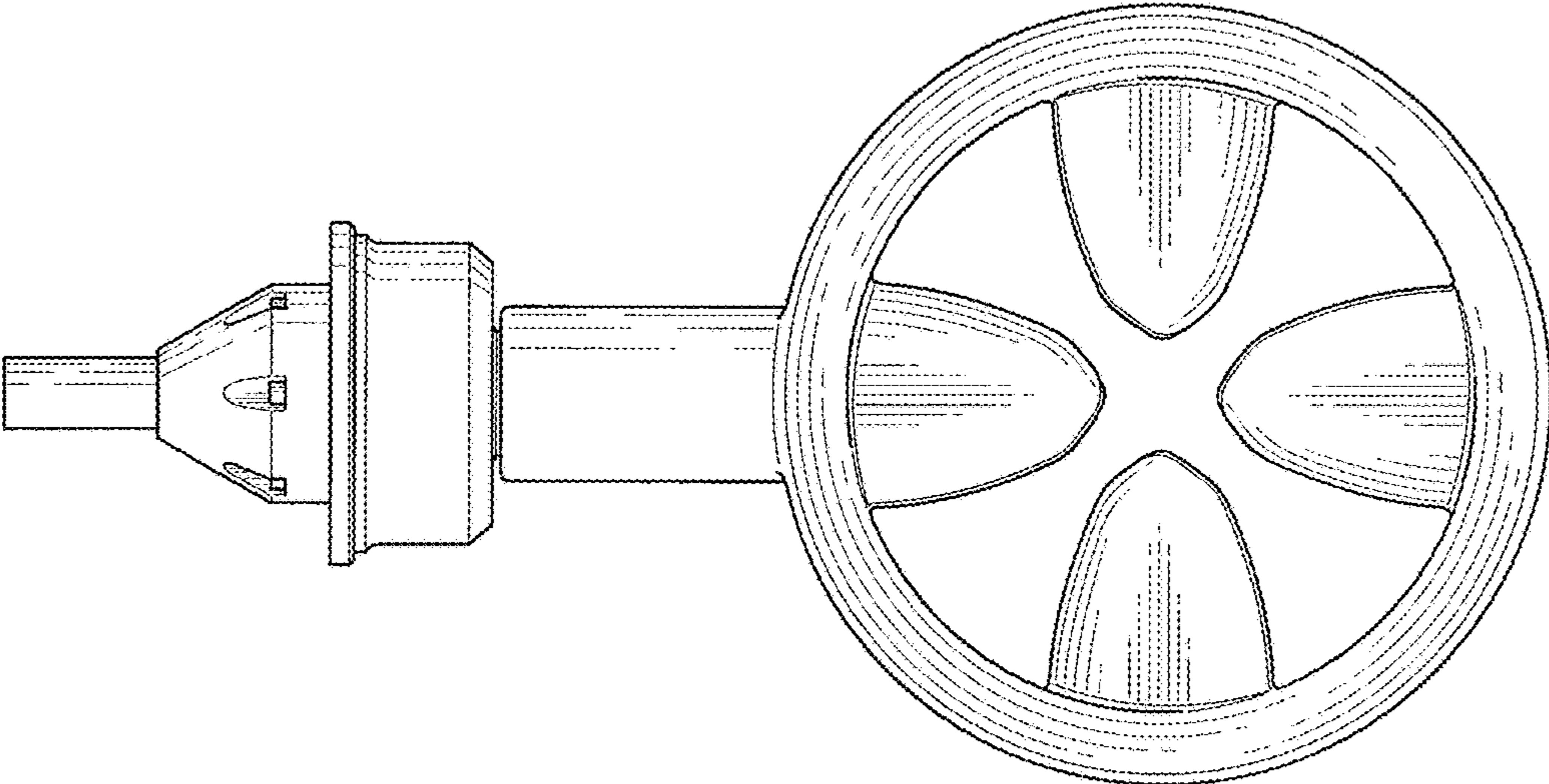


Fig. 3

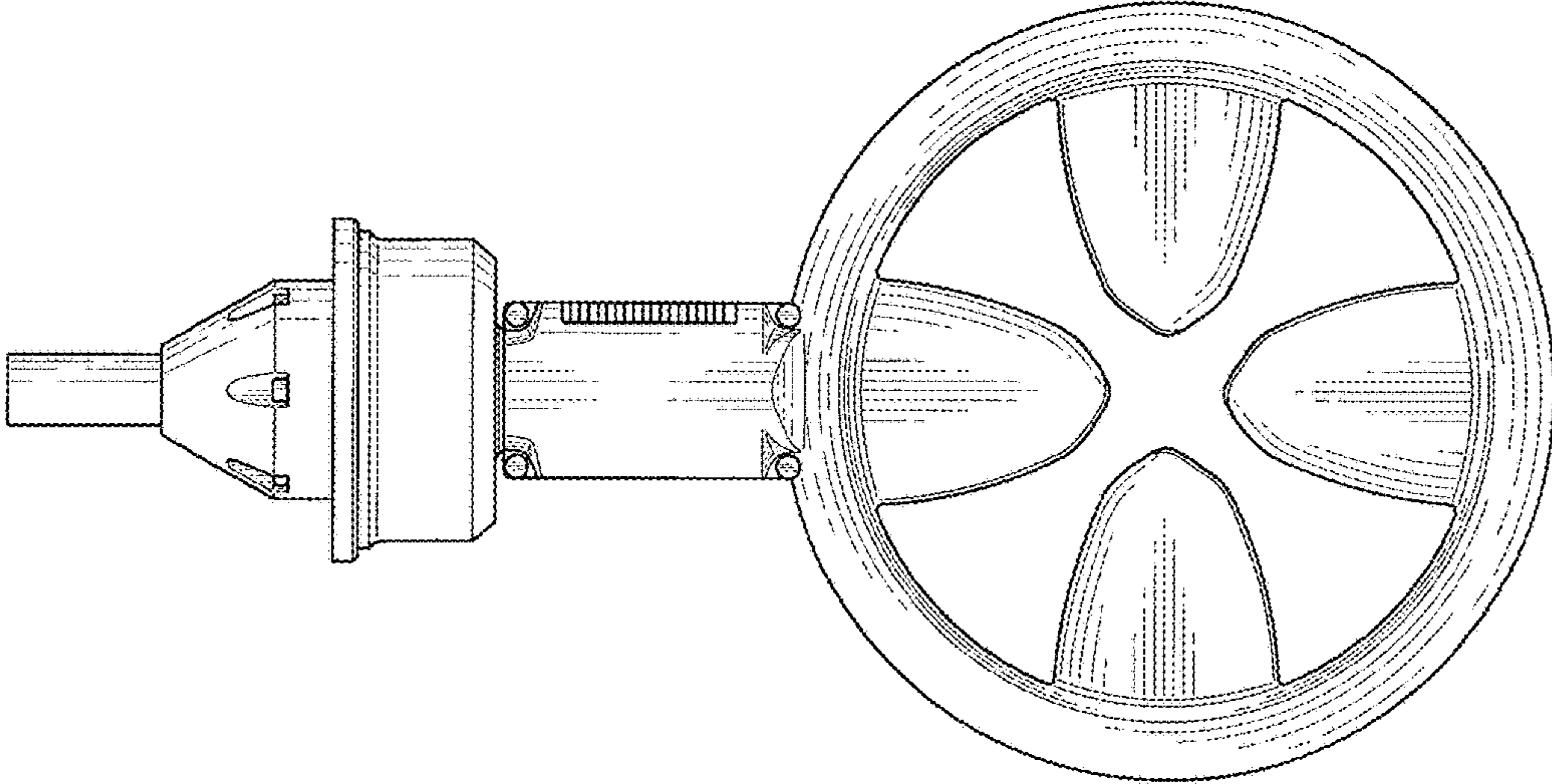


Fig. 4

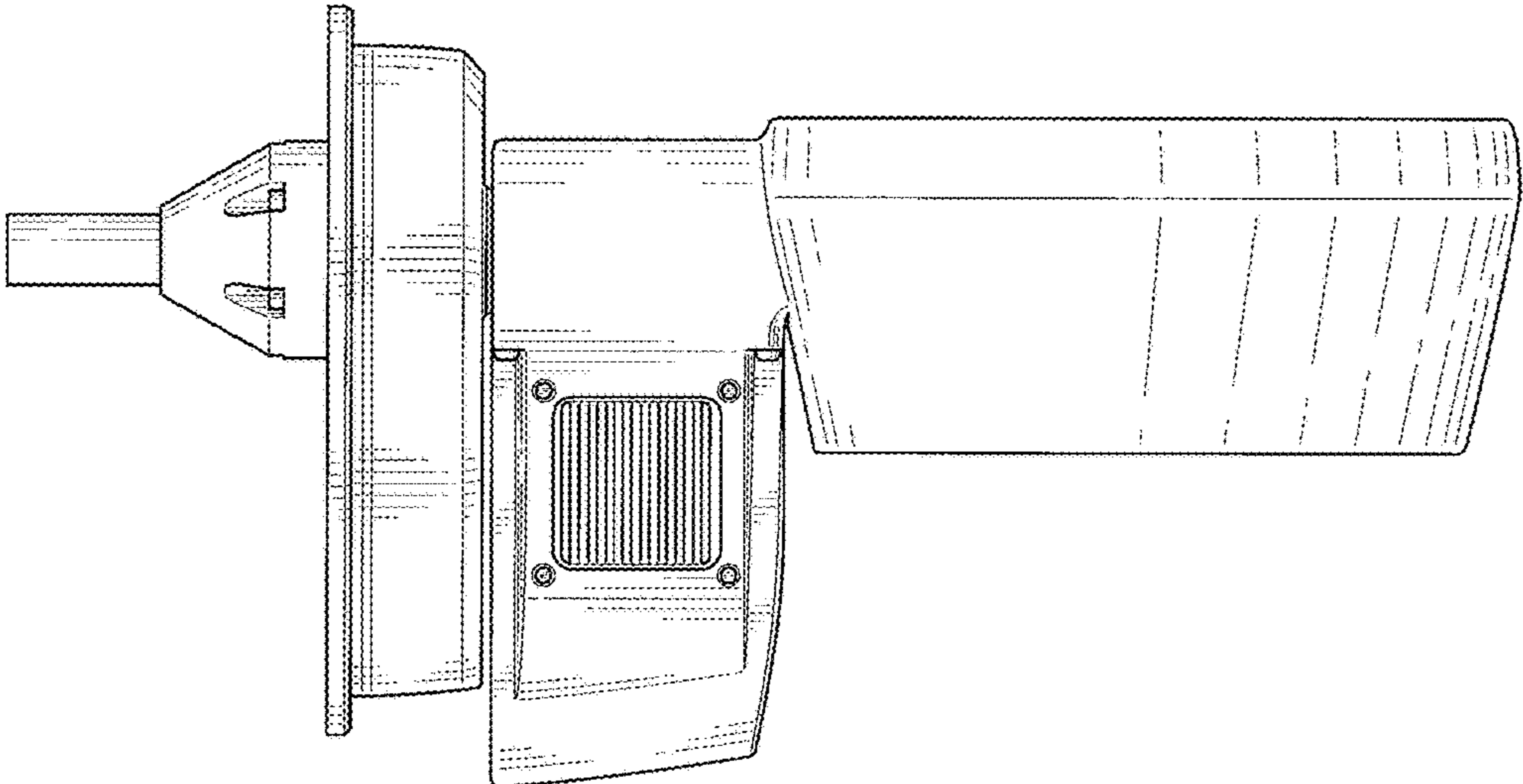


Fig. 5

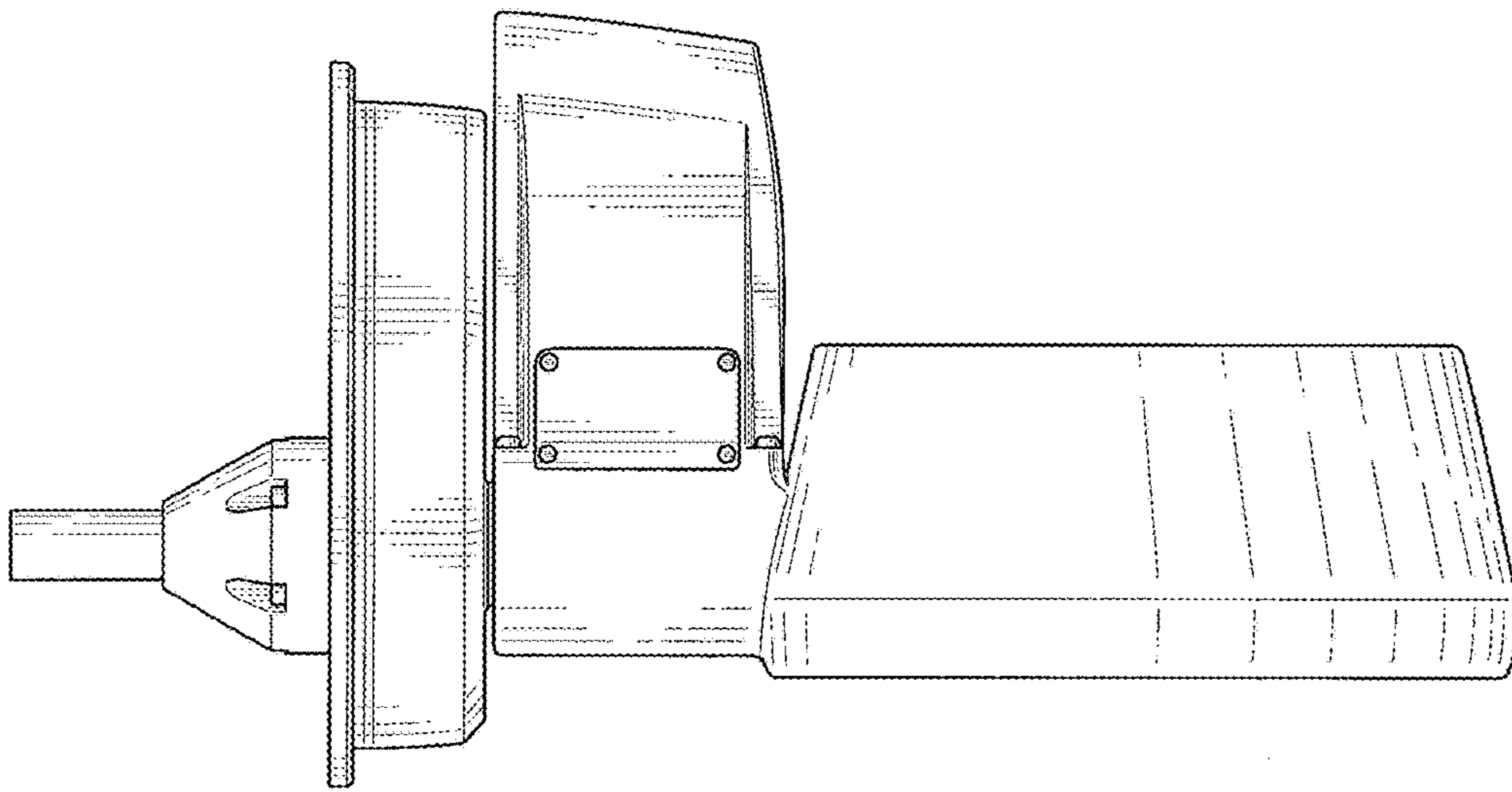


Fig. 6

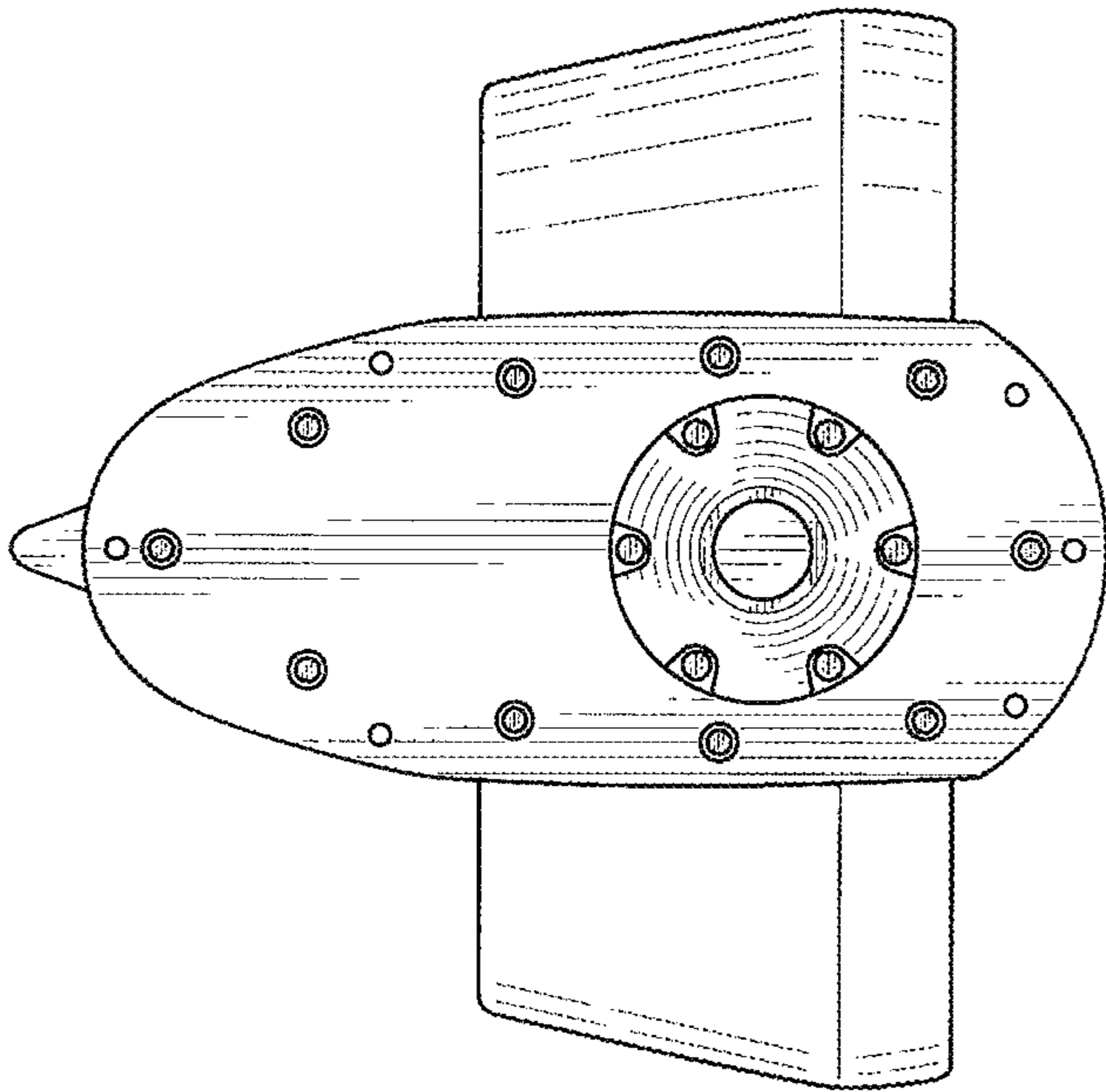


Fig. 7

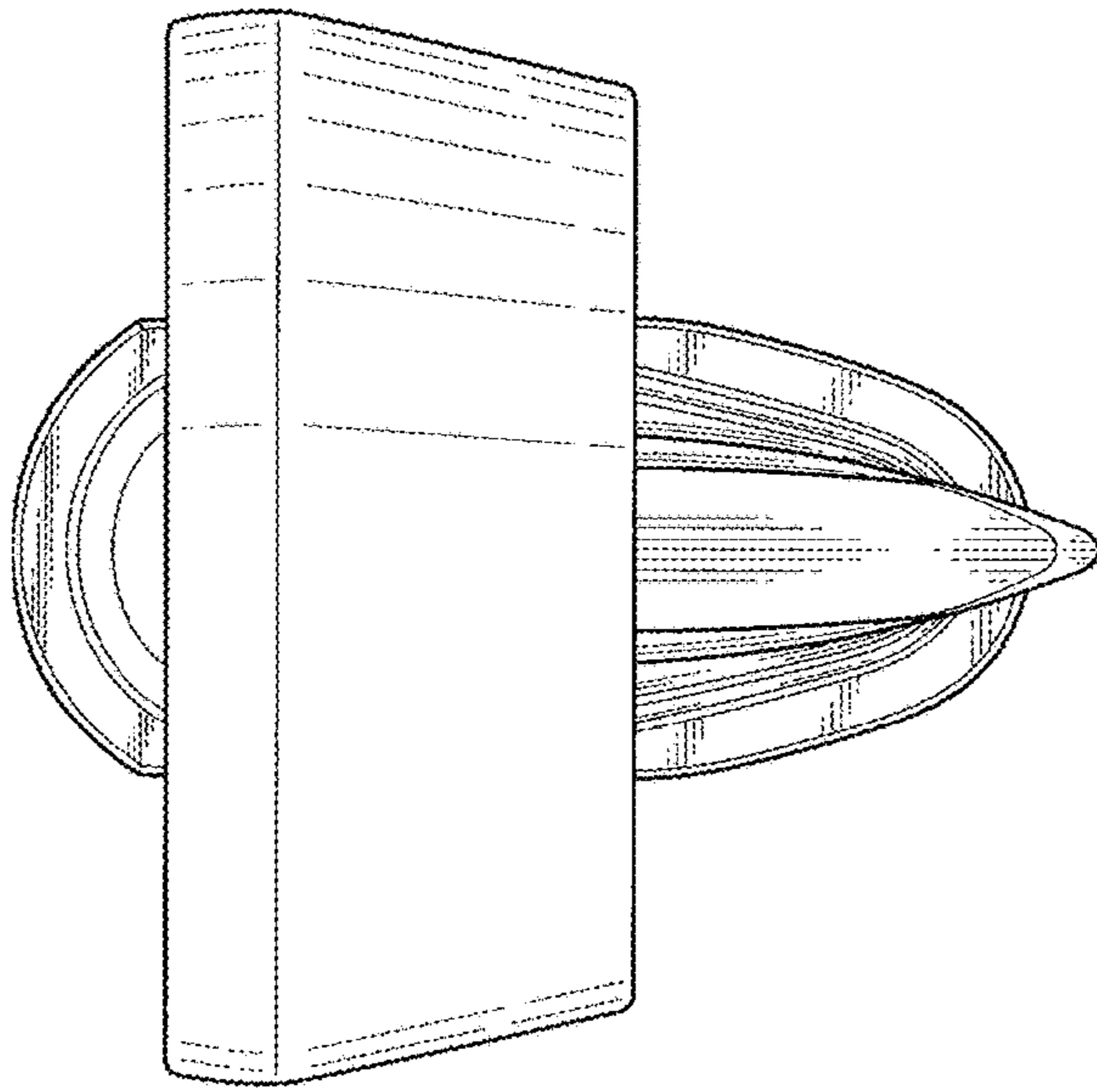


Fig. 8